



US00D678927S

(12) **United States Design Patent**
Rhodes, Sr.

(10) **Patent No.:** **US D678,927 S**
(45) **Date of Patent:** **** Mar. 26, 2013**

(54) **ICE BAGGER**

(75) Inventor: **Stephen C. Rhodes, Sr.**, Myrtle Beach, SC (US)

(73) Assignee: **International Bag Company, LLC**, Myrtle Beach, SC (US)

(**) Term: **14 Years**

(21) Appl. No.: **29/397,247**

(22) Filed: **Jul. 13, 2011**

(51) **LOC (9) Cl.** **15-99**

(52) **U.S. Cl.** **D15/199**

(58) **Field of Classification Search** D15/79-91,
D15/145, 199; D34/5; 53/385, 390, 570-572;
62/340, 344, 389; 141/98, 313, 314, 391;
222/146.1, 146.6, 504; 241/282.1; 248/99;
312/211, 212, 228

See application file for complete search history.

(56) **References Cited**

U.S. PATENT DOCUMENTS

102,616	A *	5/1870	Sweigert	248/97
241,945	A *	5/1881	Dula	141/312
742,758	A *	10/1903	Brown	137/442
2,172,529	A *	9/1939	Barker et al.	248/97
3,322,477	A *	5/1967	Armijo	312/211
4,139,029	A *	2/1979	Geraci	141/98
4,273,167	A *	6/1981	Stillwell	141/314
D269,787	S *	7/1983	Cramer	D15/145
4,676,284	A *	6/1987	DeCrane	141/114
D307,755	S	5/1990	Rhodes et al.		

D349,992	S *	8/1994	Brohan	D34/5
D360,510	S *	7/1995	Slovak	D34/5
D367,659	S *	3/1996	Baker et al.	D15/89
D401,027	S *	11/1998	Mueller	D34/6
D513,352	S *	12/2005	Weathers et al.	D34/5
D581,228	S *	11/2008	Meehan	D8/10
D593,721	S *	6/2009	Koll	D34/5
2003/0218104	A1 *	11/2003	Klotz	248/97
2007/0289671	A1 *	12/2007	Kolarik	141/391

* cited by examiner

Primary Examiner — Patricia Palasik

(74) *Attorney, Agent, or Firm* — McNair Law Firm, P.A.; Seann P. Lahey

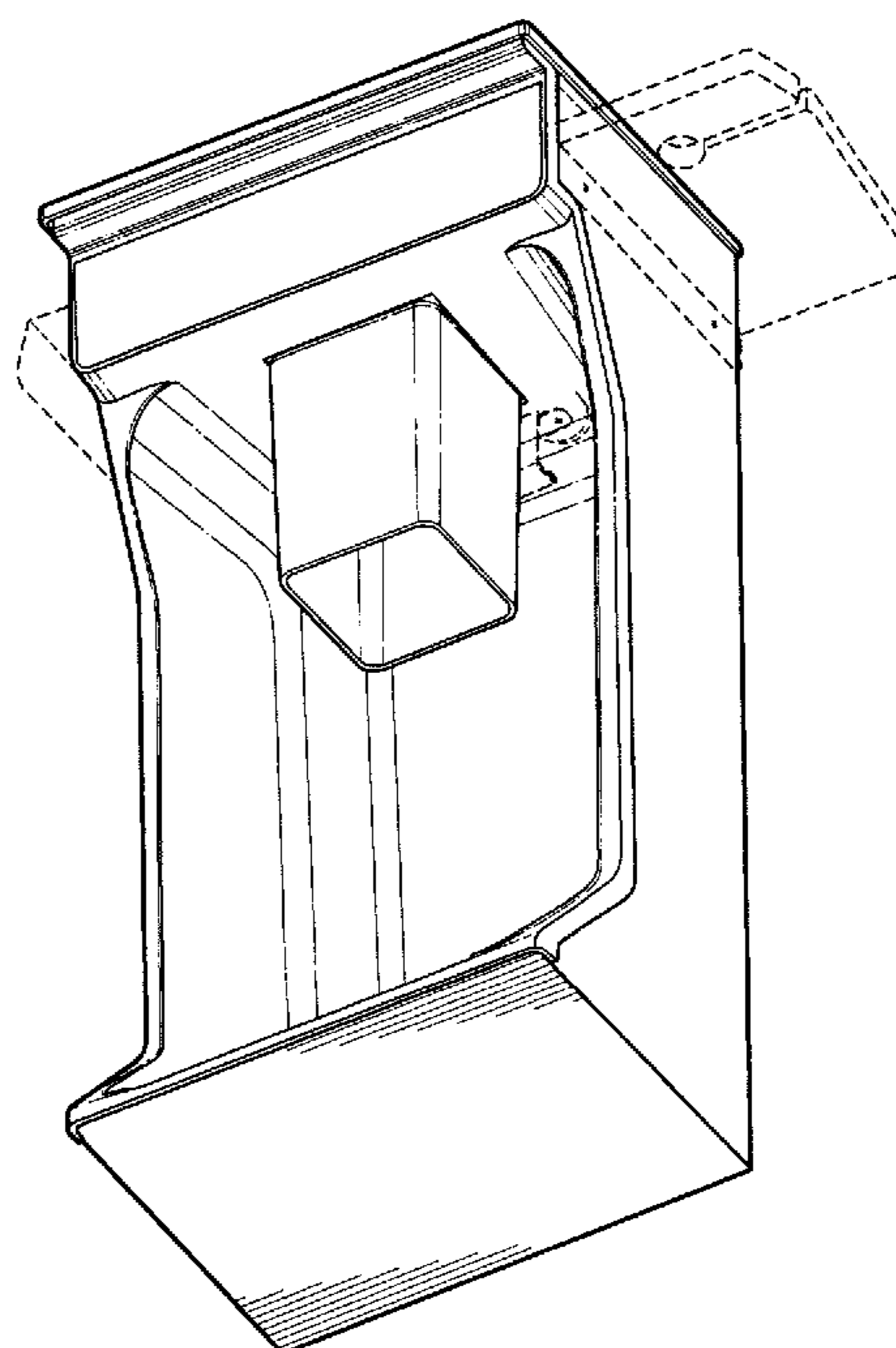
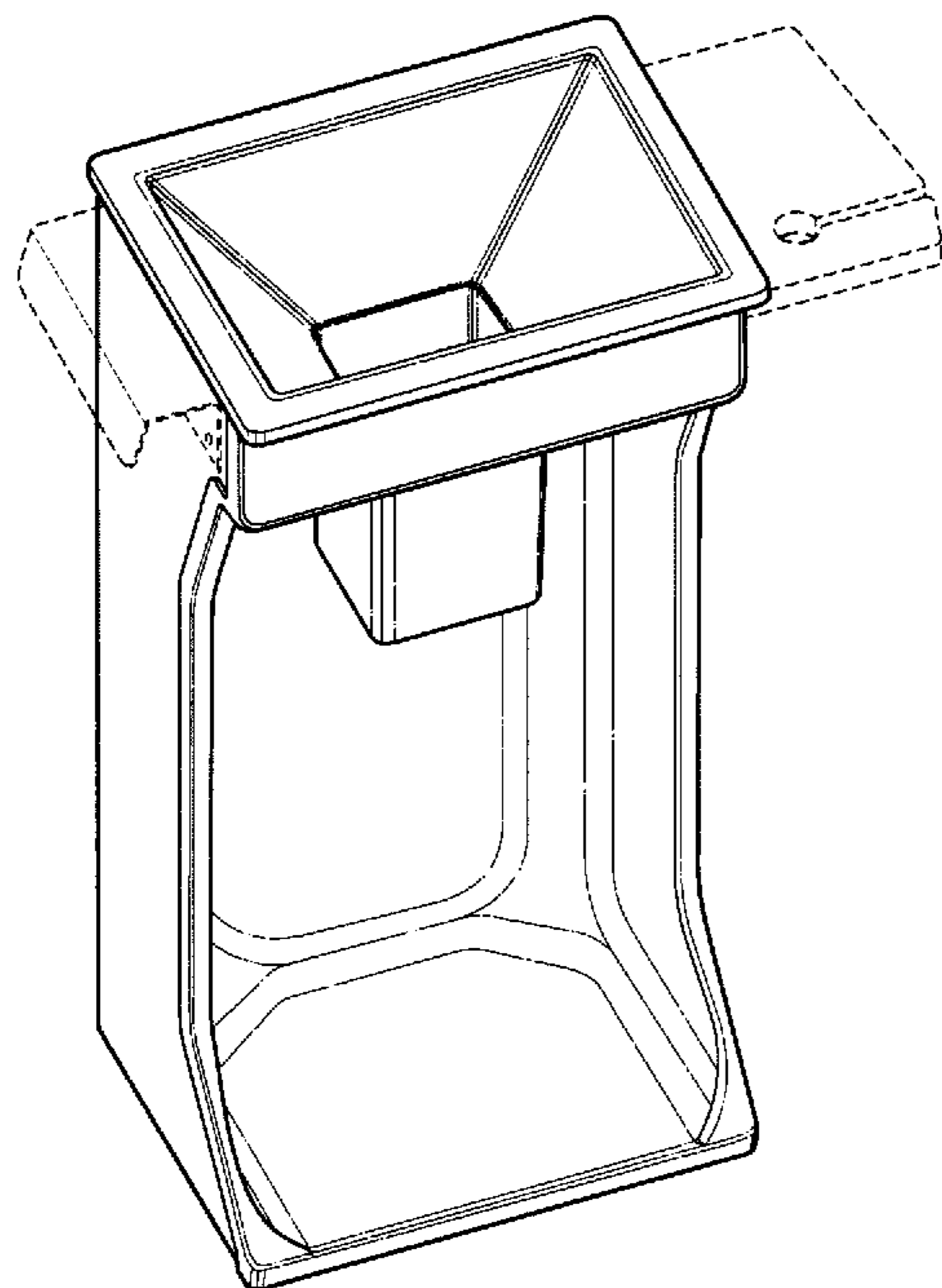
(57) **CLAIM**

The ornamental design for an ice bagger, as shown and described.

DESCRIPTION

FIG. 1 is a top front perspective view of the ice bagger design; FIG. 2 a bottom front perspective view of the ice bagger design; FIG. 3 is a front elevation view of the ice bagger design; FIG. 4 is a rear elevation view of the ice bagger design; FIG. 5 is a left side elevation view of the ice bagger design; FIG. 6 is a right side elevation view of the ice bagger design; FIG. 7 is a top plan view of the ice bagger design; and, FIG. 8 is a bottom plan view of the ice bagger design. In the drawings, the broken lines showing the side mounted brackets and interior bag wicket holder form no part of the claimed design.

1 Claim, 3 Drawing Sheets



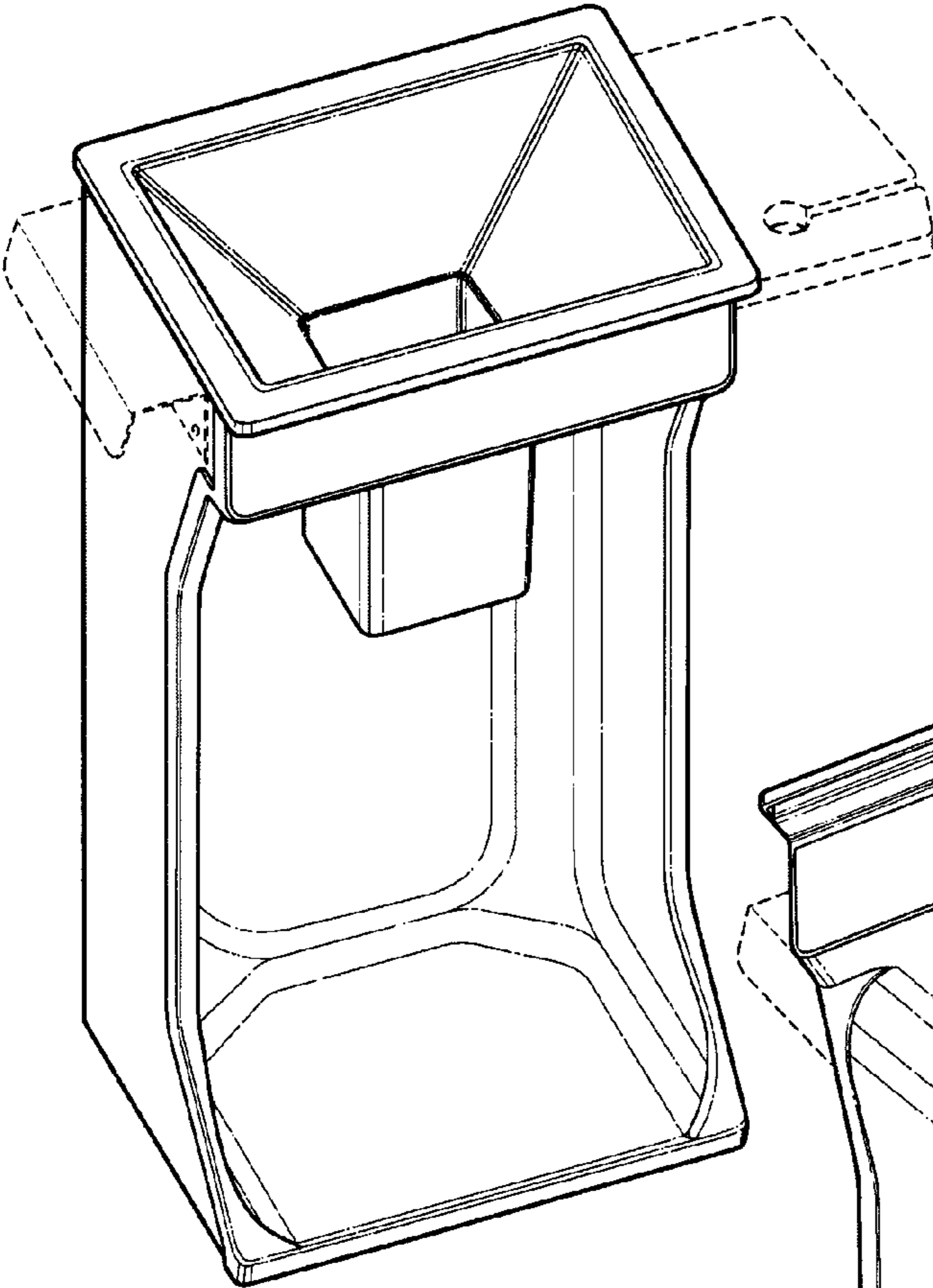


Fig. 1

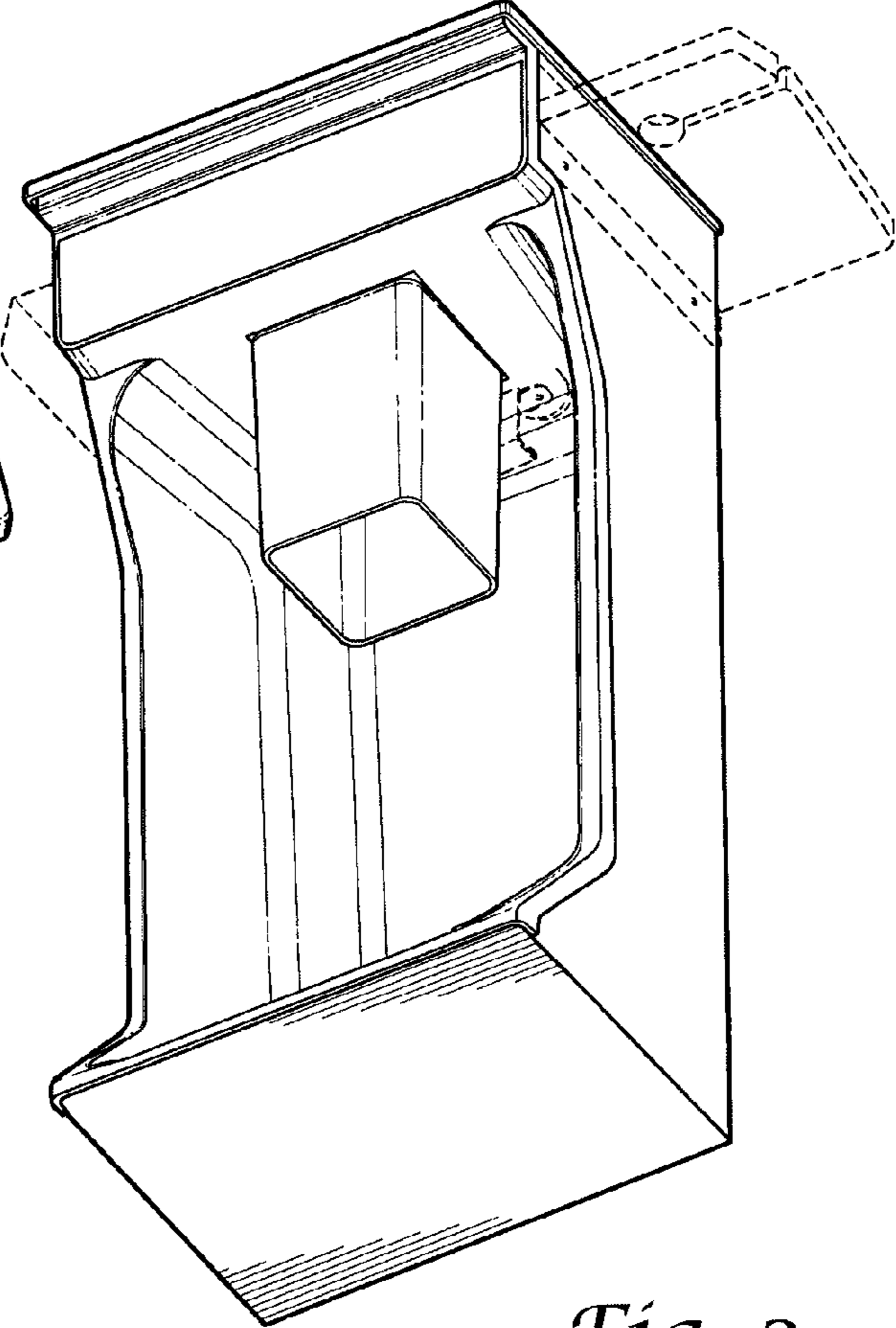


Fig. 2

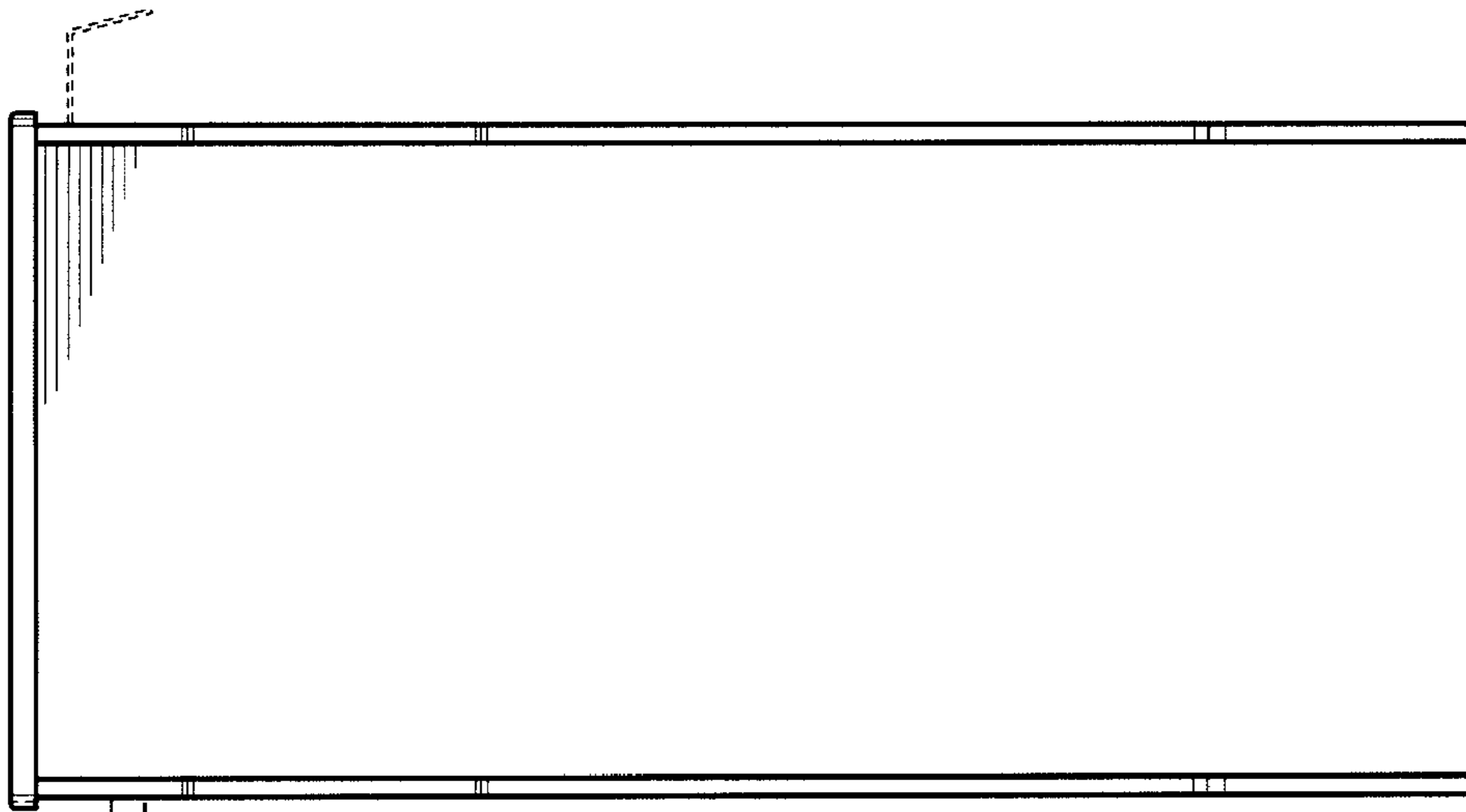


Fig. 4

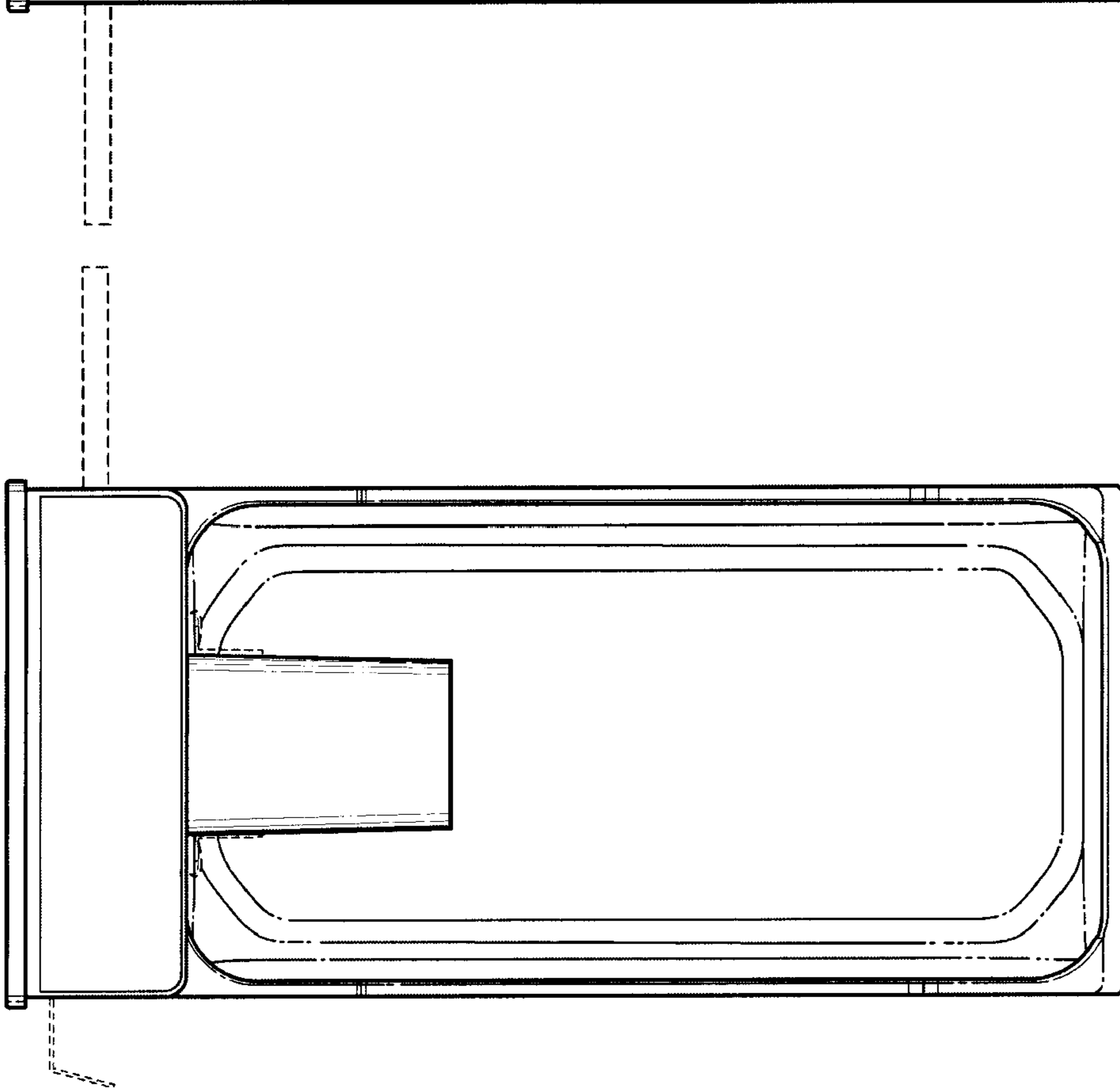


Fig. 3

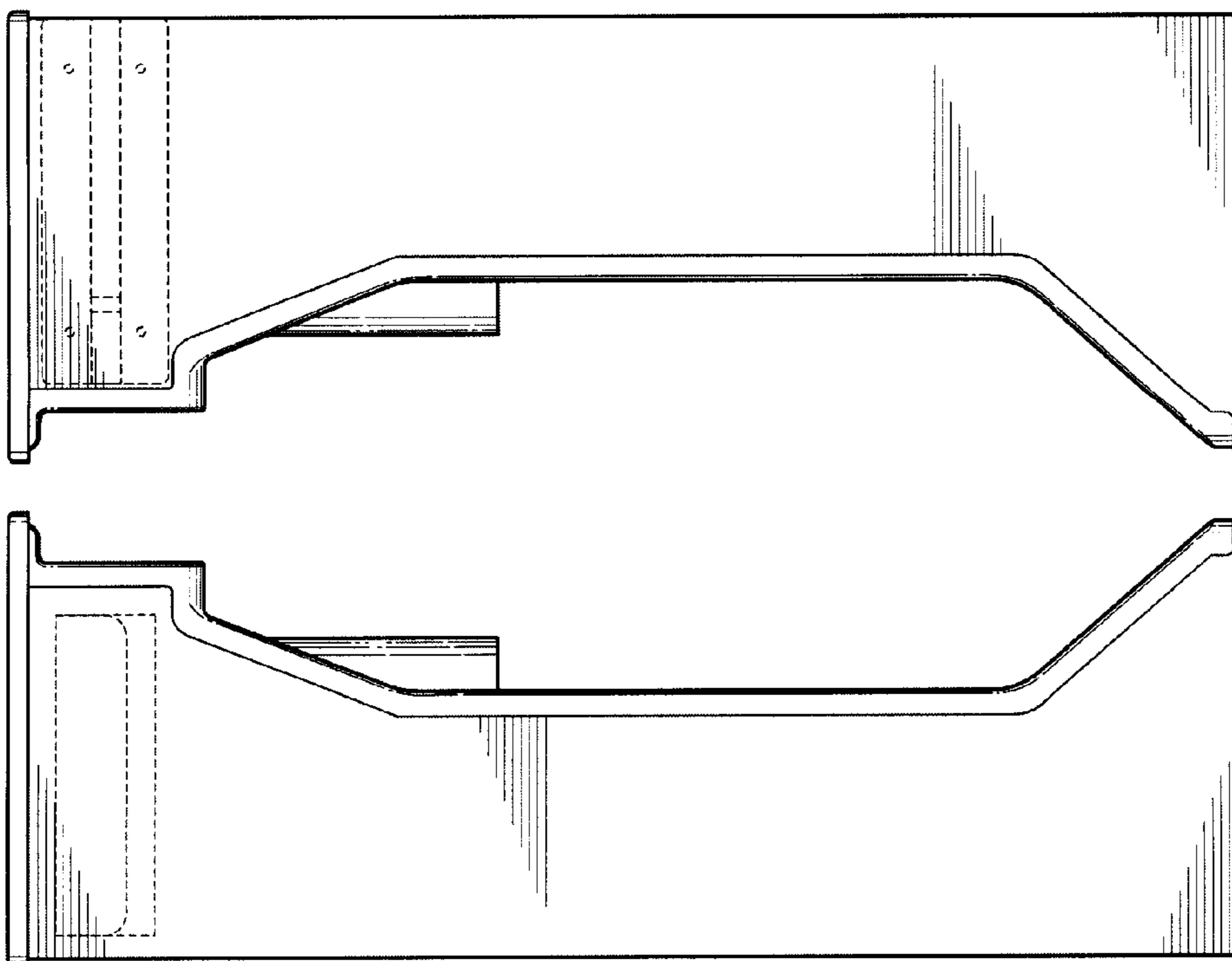


Fig. 5

Fig. 6

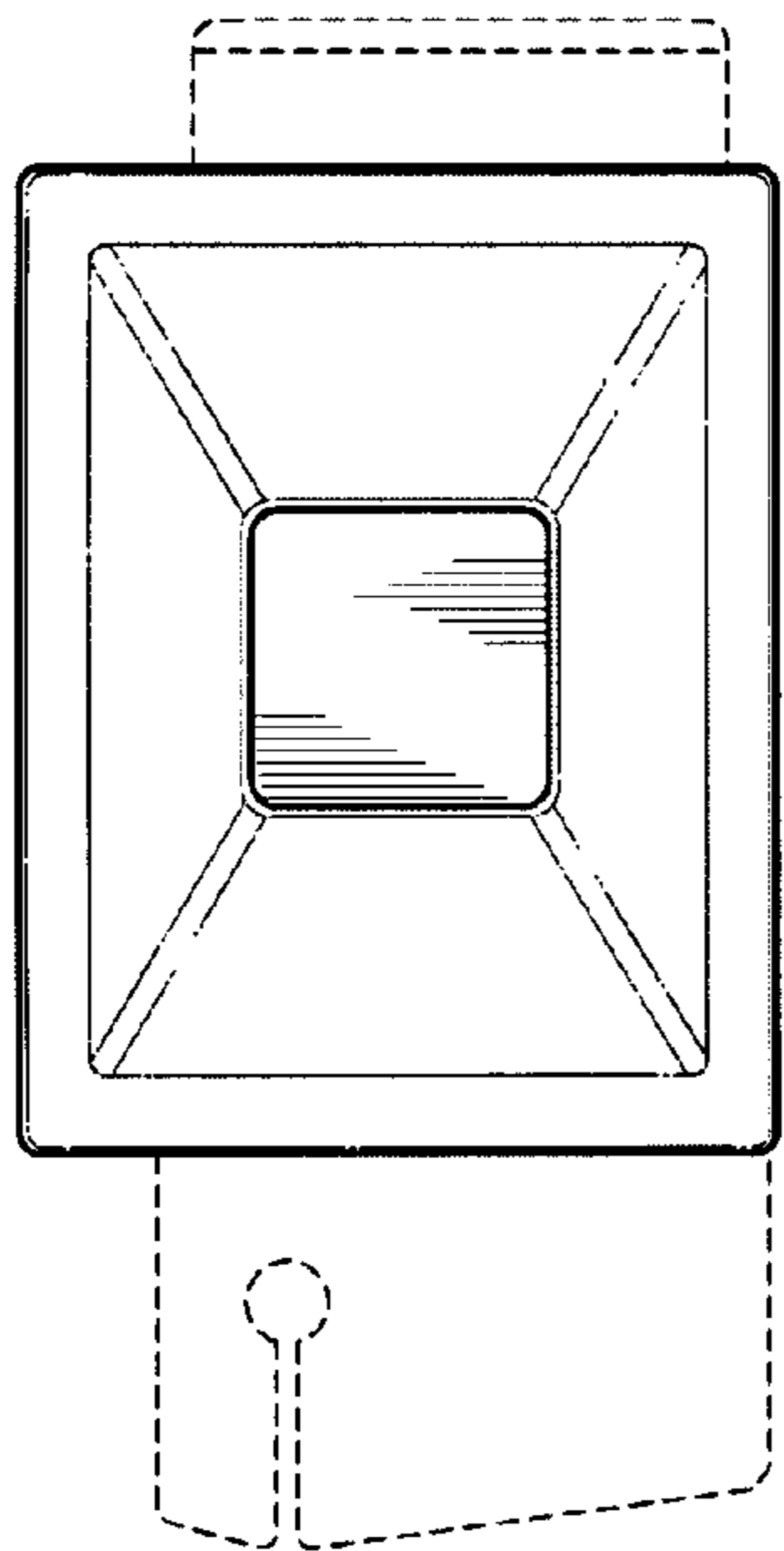


Fig. 7

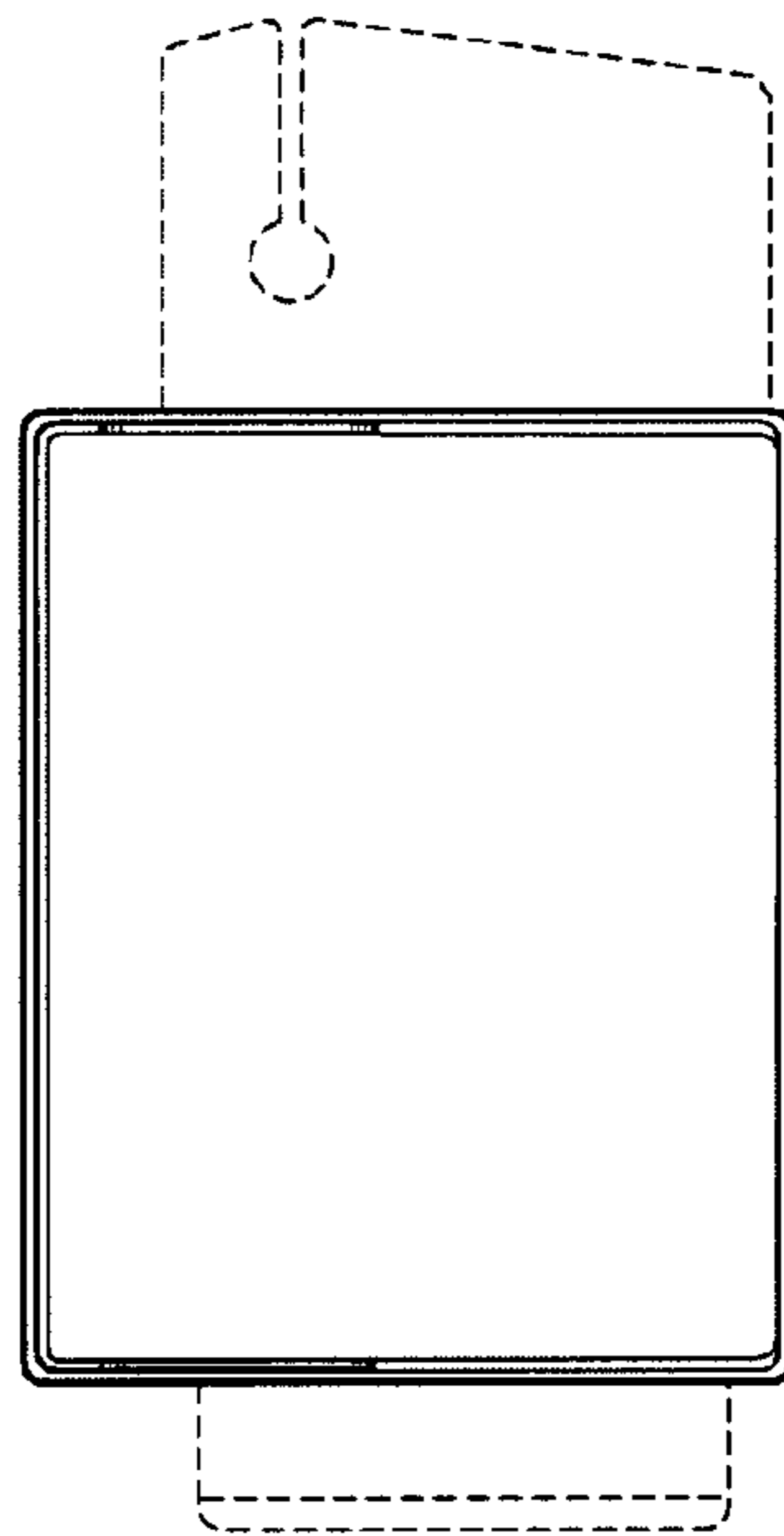


Fig. 8