



US00D678926S

(12) **United States Design Patent**  
**Kozina et al.**

(10) **Patent No.:** **US D678,926 S**  
(45) **Date of Patent:** **\*\* Mar. 26, 2013**

- (54) **FEATHER BOARD APPARATUS**
- (75) Inventors: **Damian A. Kozina**, Chicago, IL (US);  
**Edward D. Adkins**, Machesney Park, IL (US)
- (73) Assignee: **Nomis LLC**, Elgin, IL (US)
- (\*\*) Term: **14 Years**
- (21) Appl. No.: **29/391,654**
- (22) Filed: **May 11, 2011**

D615,571 S *	5/2010	Pinchot	.....	D15/138
7,942,174 B2	5/2011	Kozina et al.		
2003/0140754 A1 *	7/2003	Kimmel et al.	.....	83/447
2004/0250902 A1 *	12/2004	Kimmel et al.	.....	144/286.1
2006/0191596 A1	8/2006	Fontaine		
2008/0277024 A1	11/2008	Kozina et al.		
2010/0307302 A1 *	12/2010	Smith	.....	83/13

\* cited by examiner

*Primary Examiner* — Patricia Palasik

(74) *Attorney, Agent, or Firm* — Reinhart Boerner Van Deuren P.C.

(57) **CLAIM**

I claim the ornamental design for a feather board apparatus, as shown and described.

**DESCRIPTION**

FIG. 1 is a perspective view of the new design for a feather board apparatus, viewed from a front and top side thereof; FIG. 2 is a perspective view of the new design for a feather board apparatus, viewed from a rear and top side thereof; FIG. 3 is a left side view thereof; FIG. 4 is a top view thereof; FIG. 5 is a right side view thereof; FIG. 6 is a bottom view thereof; FIG. 7 is a rear view thereof; FIG. 8 is a front view thereof; FIG. 9 is an exploded perspective view of the new design for a feather board apparatus; and, FIG. 10 is a perspective illustration showing the first embodiment of the new design for a feather board apparatus in use. The broken lines and the drawings are shown for illustrative purposes and form no part of the claimed design. In addition, the surface shading illustrated in the drawings is provided merely to highlight the contour of the design, and is not intended to be illustrative of texture or gloss.

**1 Claim, 6 Drawing Sheets**

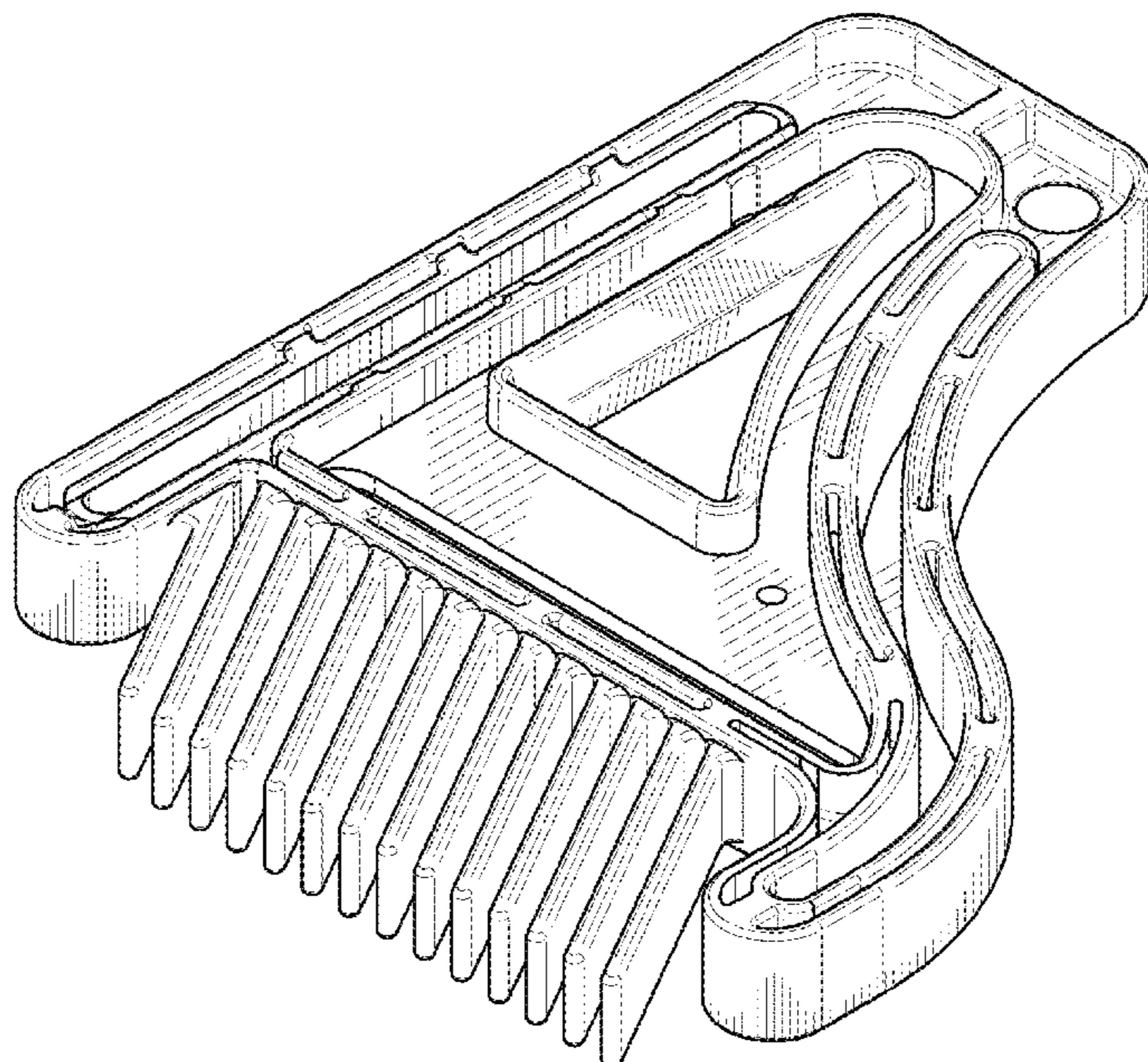
**Related U.S. Application Data**

- (63) Continuation of application No. 12/116,469, filed on May 7, 2008, now Pat. No. 7,942,174.
- (51) **LOC (9) Cl.** ..... **15-09**
- (52) **U.S. Cl.** ..... **D15/140**
- (58) **Field of Classification Search** ..... D8/70, D8/71; D15/140; 44/253.1; 83/13, 418, 83/420, 440, 446, 447, 449, 475, 823; 144/144.1, 144/145.1, 251.2, 251.3, 253.2, 253.5, 253.6, 144/286.1, 286.5; 384/40; 403/381; 409/125  
See application file for complete search history.

(56) **References Cited**

**U.S. PATENT DOCUMENTS**

4,476,757 A	10/1984	Morris		
5,000,237 A	3/1991	Berkeley et al.		
5,317,944 A *	6/1994	Hewitt	.....	83/447
D455,348 S *	4/2002	Fludd	.....	D9/455
6,718,857 B2	4/2004	Kimmel et al.		
D492,332 S *	6/2004	Boyd	.....	D15/140
6,968,766 B2	11/2005	Kimmel et al.		
7,017,464 B2	3/2006	Coderre		
7,200,840 B2 *	4/2007	Gschwind et al.	.....	717/147
7,341,081 B1 *	3/2008	Villiger	.....	144/253.8





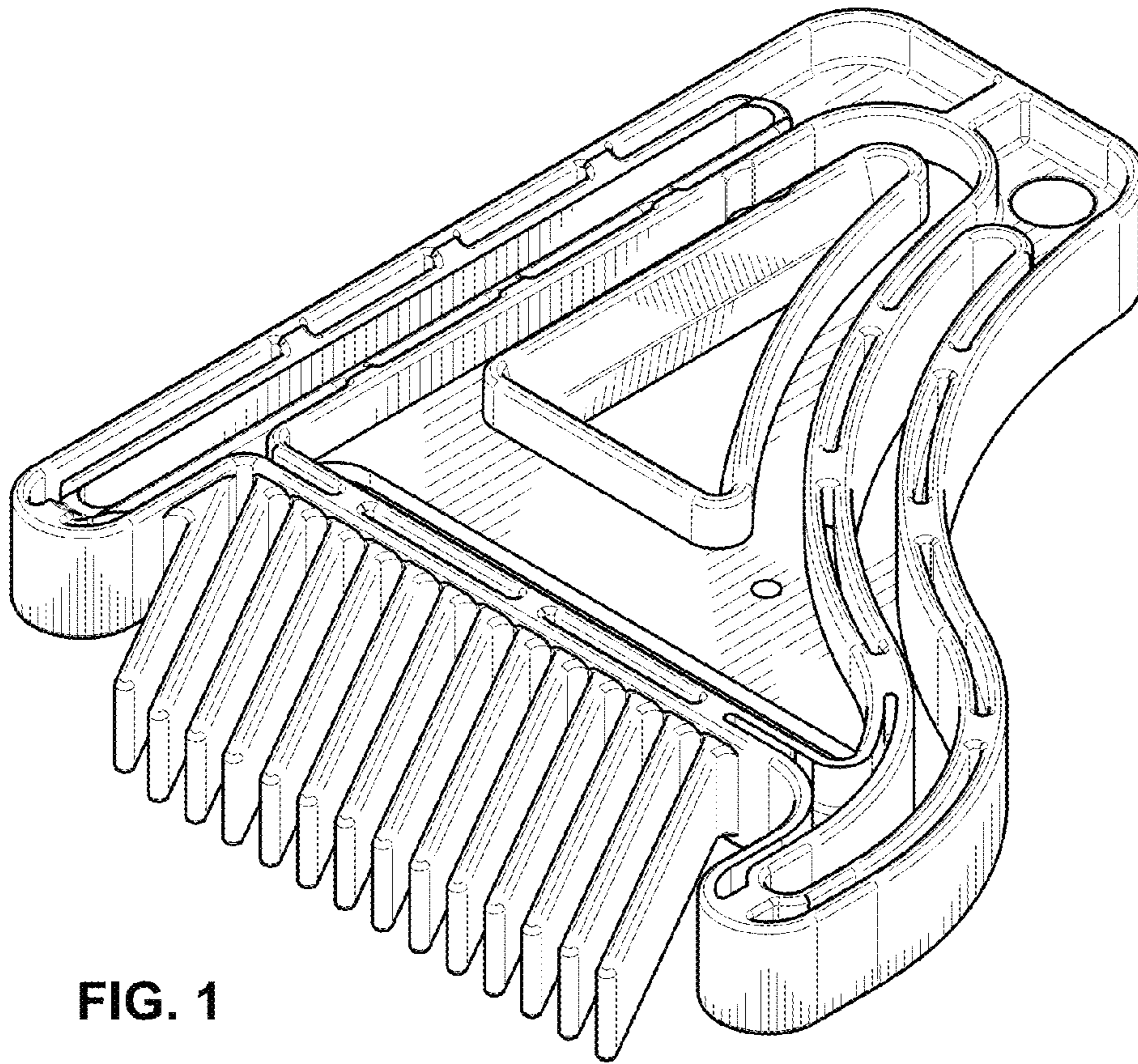


FIG. 1

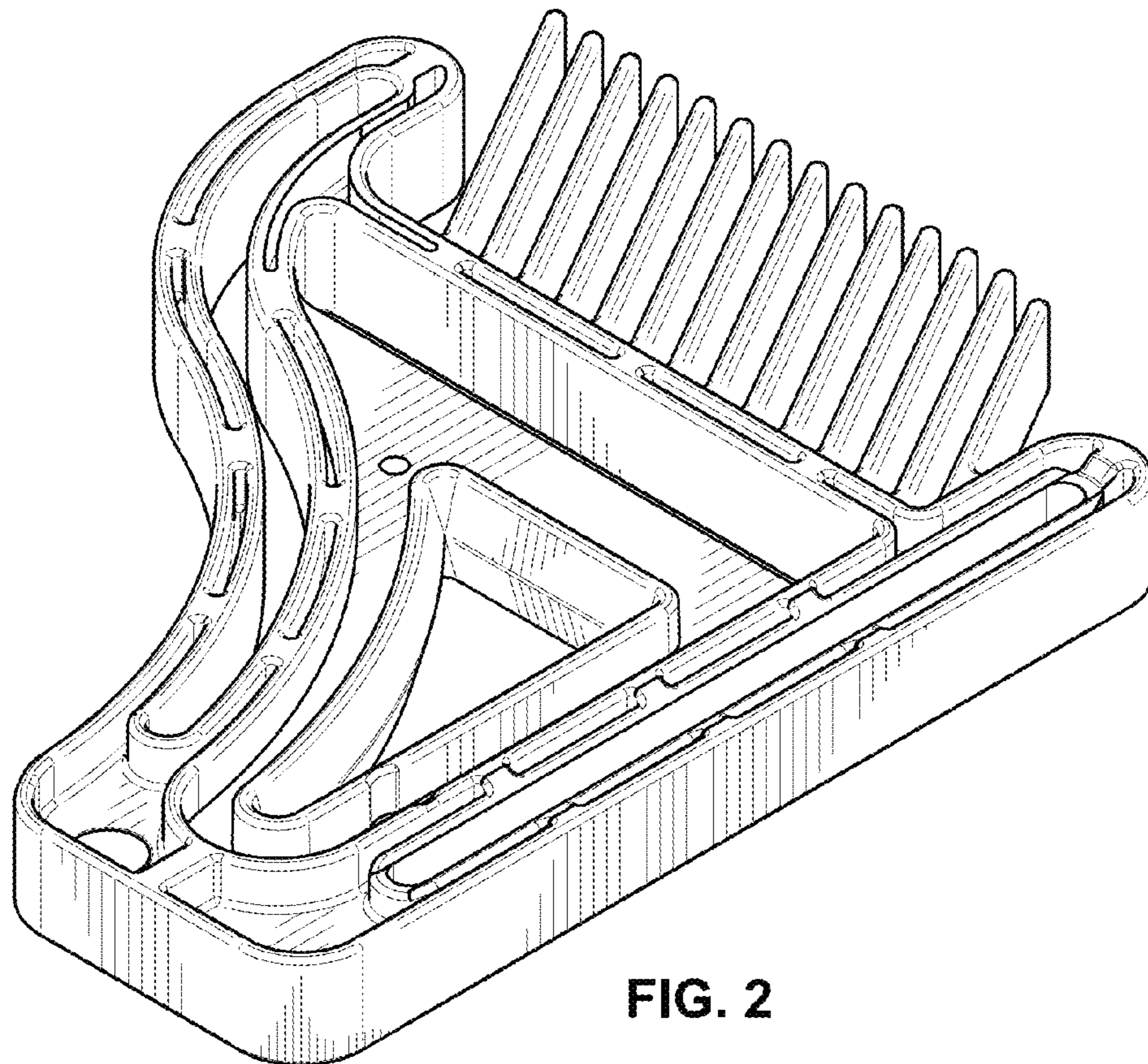


FIG. 2

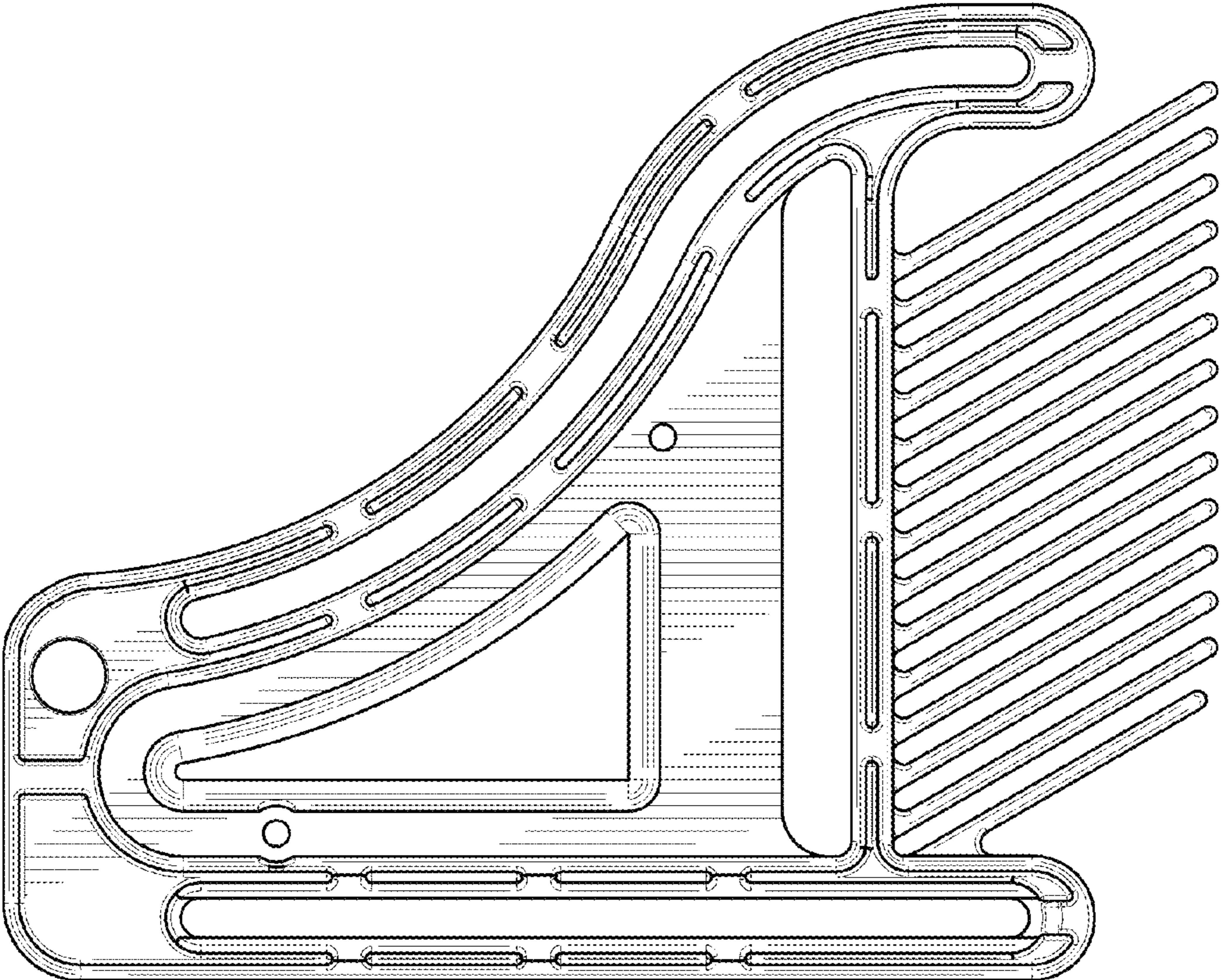


FIG. 4

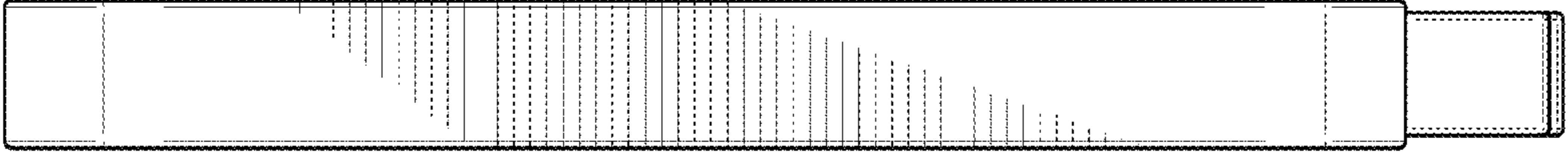


FIG. 3



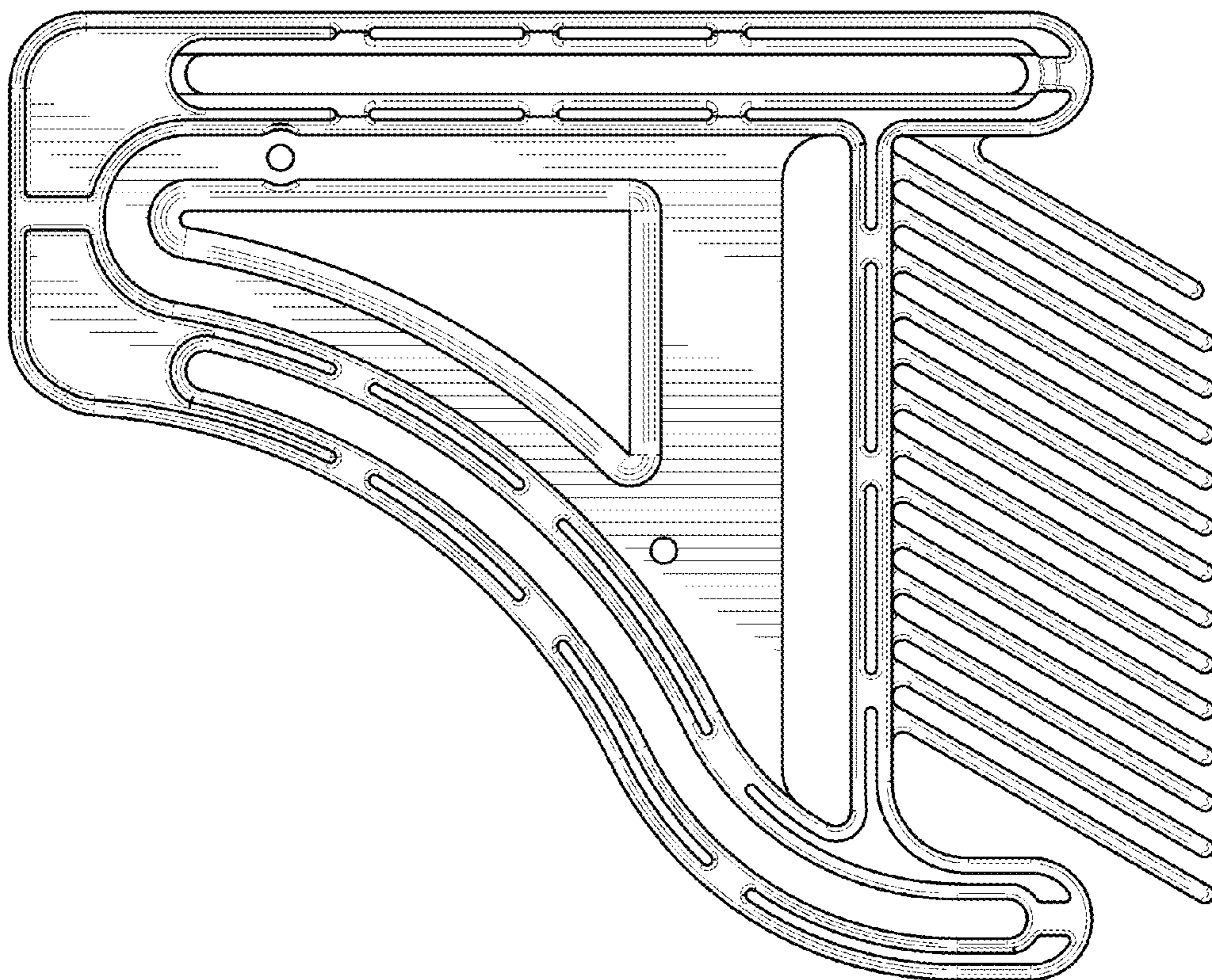


FIG. 6

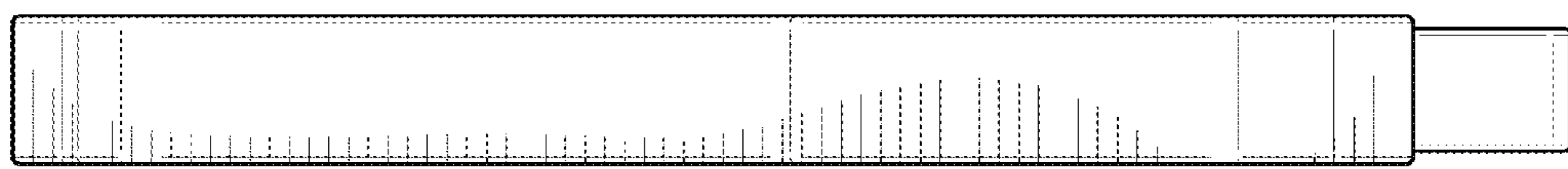


FIG. 5

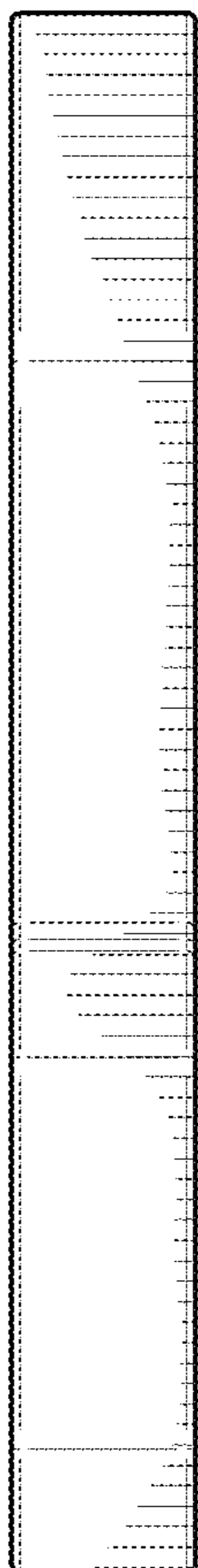


FIG. 7

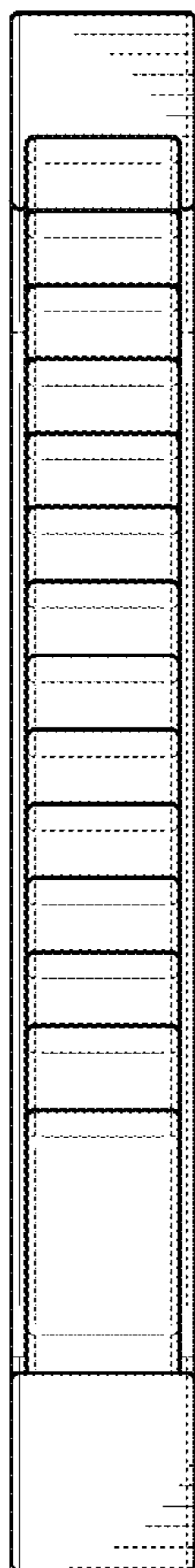
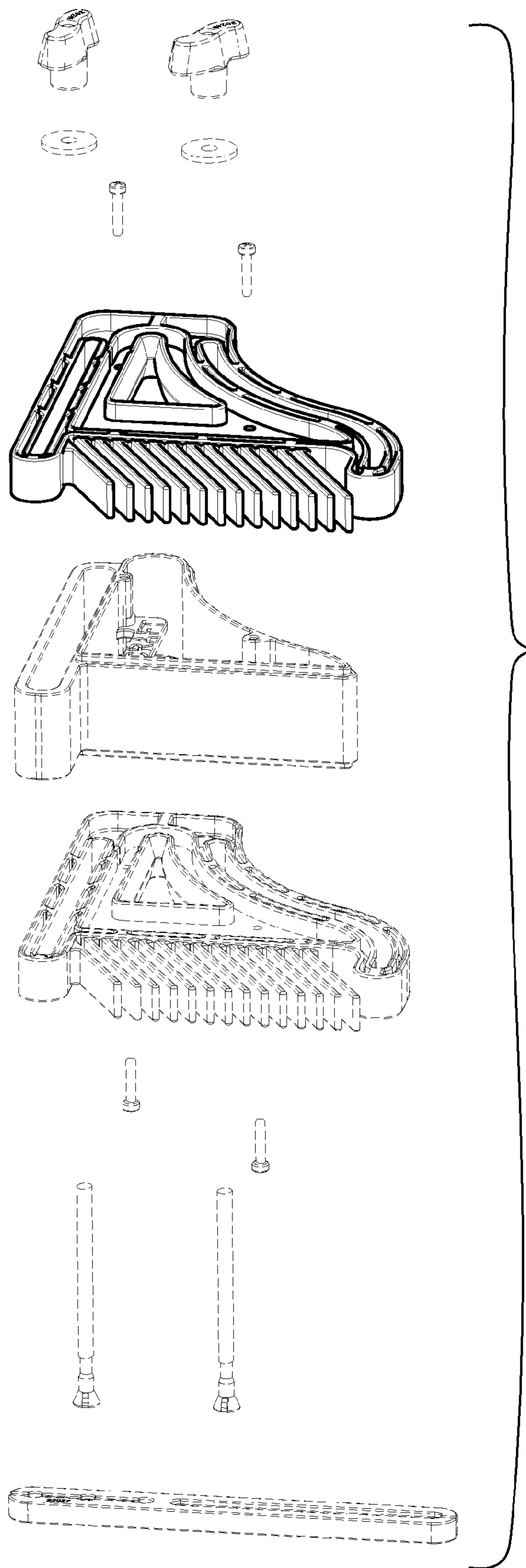


FIG. 8

FIG. 9



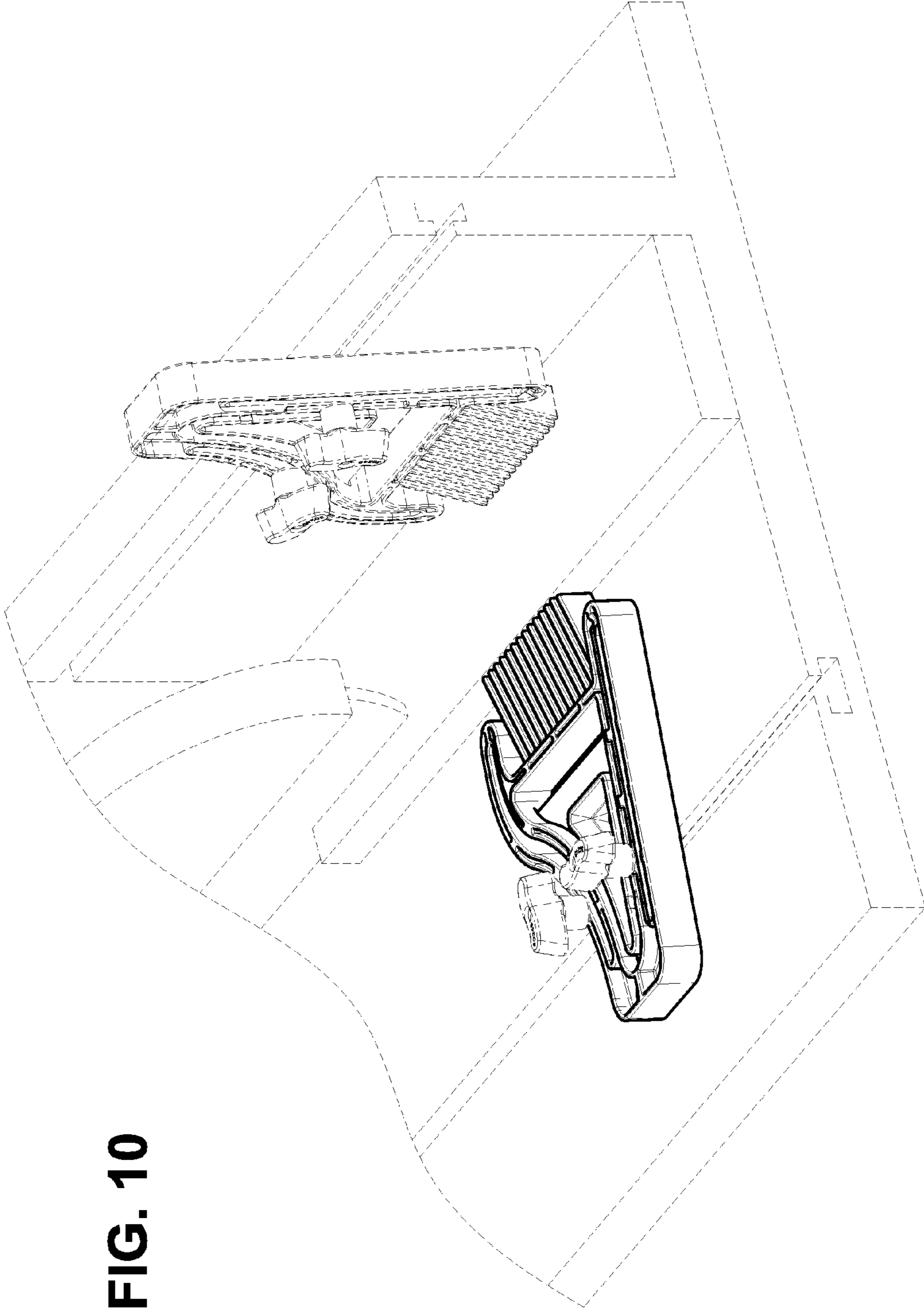


FIG. 10