



US00D678923S

(12) **United States Design Patent**
Stolz et al.

(10) **Patent No.:** **US D678,923 S**

(45) **Date of Patent:** **** Mar. 26, 2013**

(54) **CONNECTOR**

(75) Inventors: **Gerhard Stolz**, Ingersheim (DE); **Benno Spors**, Marbach (DE); **Wolfgang Bierl**, Gueglingen (DE); **Waldemar Dubs**, Ludwigsburg (DE)

(73) Assignee: **Komet Group GmbH**, Besigheim (DE)

(**) Term: **14 Years**

(21) Appl. No.: **29/373,102**

(22) Filed: **Feb. 28, 2011**

(30) **Foreign Application Priority Data**

Aug. 27, 2010 (EM) 001747833-0001
Aug. 27, 2010 (EM) 001747833-0002

(51) **LOC (9) Cl.** **15-09**

(52) **U.S. Cl.** **D15/138**

(58) **Field of Classification Search** D8/382;
D15/138, 139, 140; D23/259, 262; 251/149.1,
251/150; 279/83; 285/253, 257, 275, 277,
285/305, 353, 377, 381; 403/202, 378, 379.1,
403/355, 361, 362, 379.3, 379.4, 379.5, 374.1,
403/374.3, 408.1; 408/238; 409/232, 234
See application file for complete search history.

(56) **References Cited**

U.S. PATENT DOCUMENTS

D376,415 S * 12/1996 Shemtov D23/262
D522,109 S * 5/2006 White et al. D23/262
7,037,026 B2 * 5/2006 Ostling et al. 403/371
D567,339 S * 4/2008 Tiberghien D23/262
D567,340 S * 4/2008 Tiberghien D23/262

D583,915 S * 12/2008 Tiberghien D23/263
D615,932 S * 5/2010 Nania et al. D13/147
D621,915 S * 8/2010 Fima D23/261
D638,451 S * 5/2011 Wong D15/138
7,954,225 B2 * 6/2011 Webb 29/525.01
D665,867 S * 8/2012 McPherson D22/107
2002/0176738 A1 * 11/2002 Kluting 403/292
2008/0042116 A1 * 2/2008 Buckley 256/65.01
2008/0168633 A1 * 7/2008 Kim et al. 24/572.1
2008/0240883 A1 * 10/2008 Walling 411/178
2009/0067921 A1 * 3/2009 Ito et al. 403/408.1
2009/0175690 A1 * 7/2009 Gallagher 405/224
2010/0054855 A1 * 3/2010 Young 403/355
2010/0196120 A1 * 8/2010 Davies et al. 411/378
2011/0200386 A1 * 8/2011 Kimman et al. 403/373
2012/0063861 A1 * 3/2012 Wretland et al. 408/238

* cited by examiner

Primary Examiner — Patricia Palasik

(74) *Attorney, Agent, or Firm* — Flynn, Thiel, Boutell & Tanis, P.C.

(57) **CLAIM**

The ornamental design for a connector, as shown and described.

DESCRIPTION

FIG. 1 is a top front perspective view of a connector showing our new design;

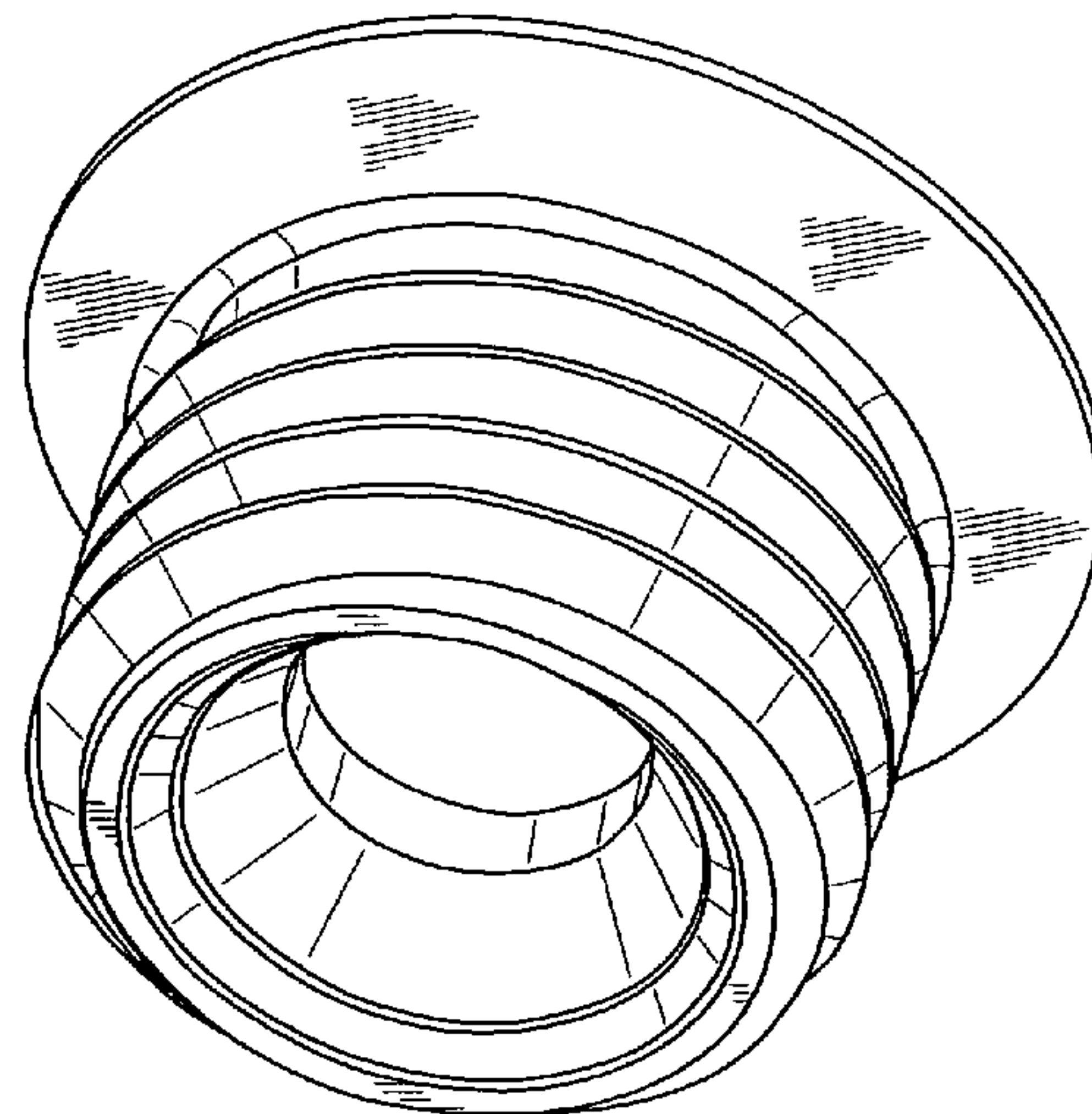
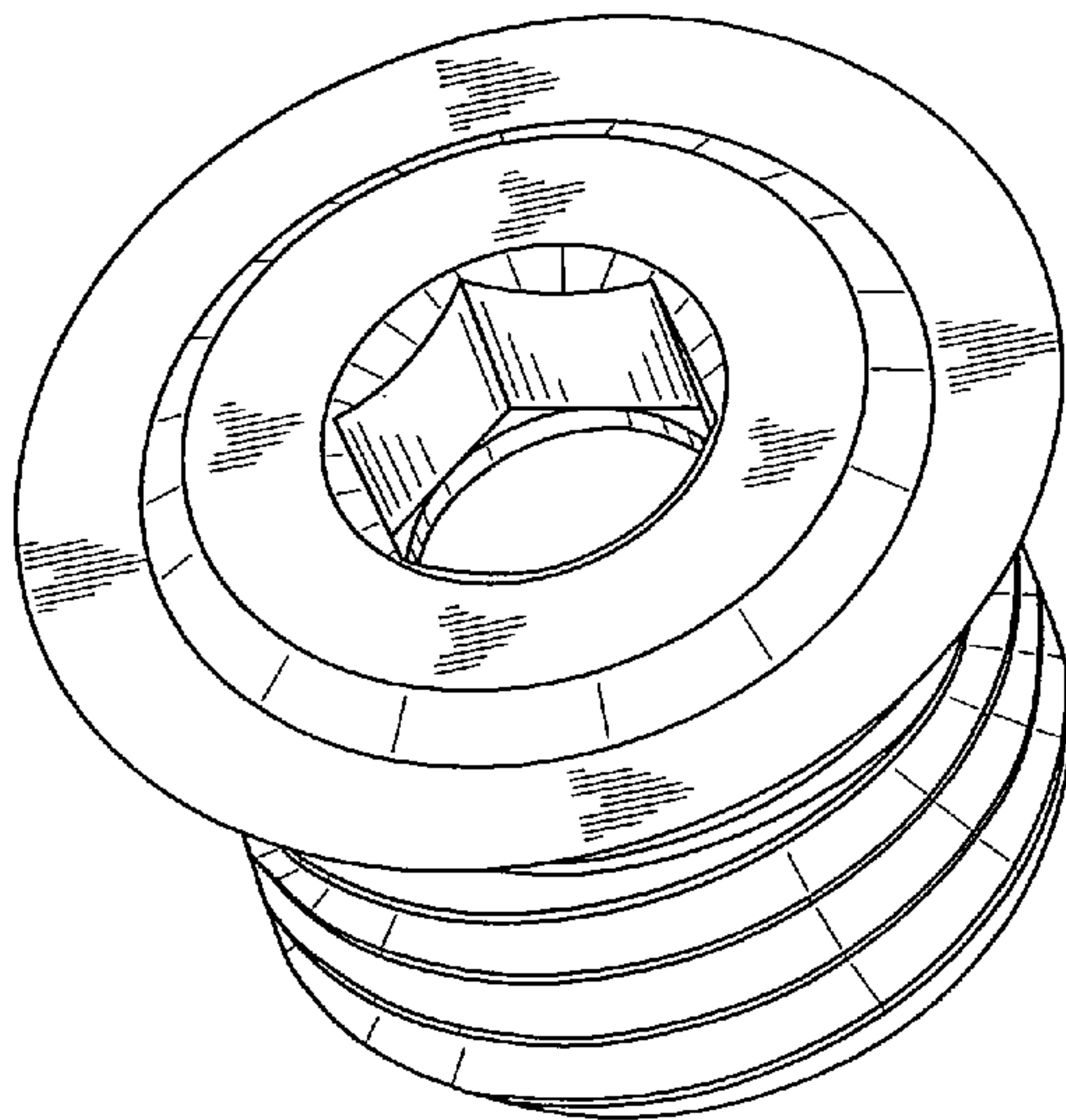
FIG. 2 is a bottom front perspective view thereof;

FIG. 3 is a front elevational view thereof, the rear elevational view, the left side elevational view and the right side elevational view being a mirror image to the front elevational view;

FIG. 4 is a top plan view thereof; and,

FIG. 5 is a bottom plan view thereof.

1 Claim, 3 Drawing Sheets



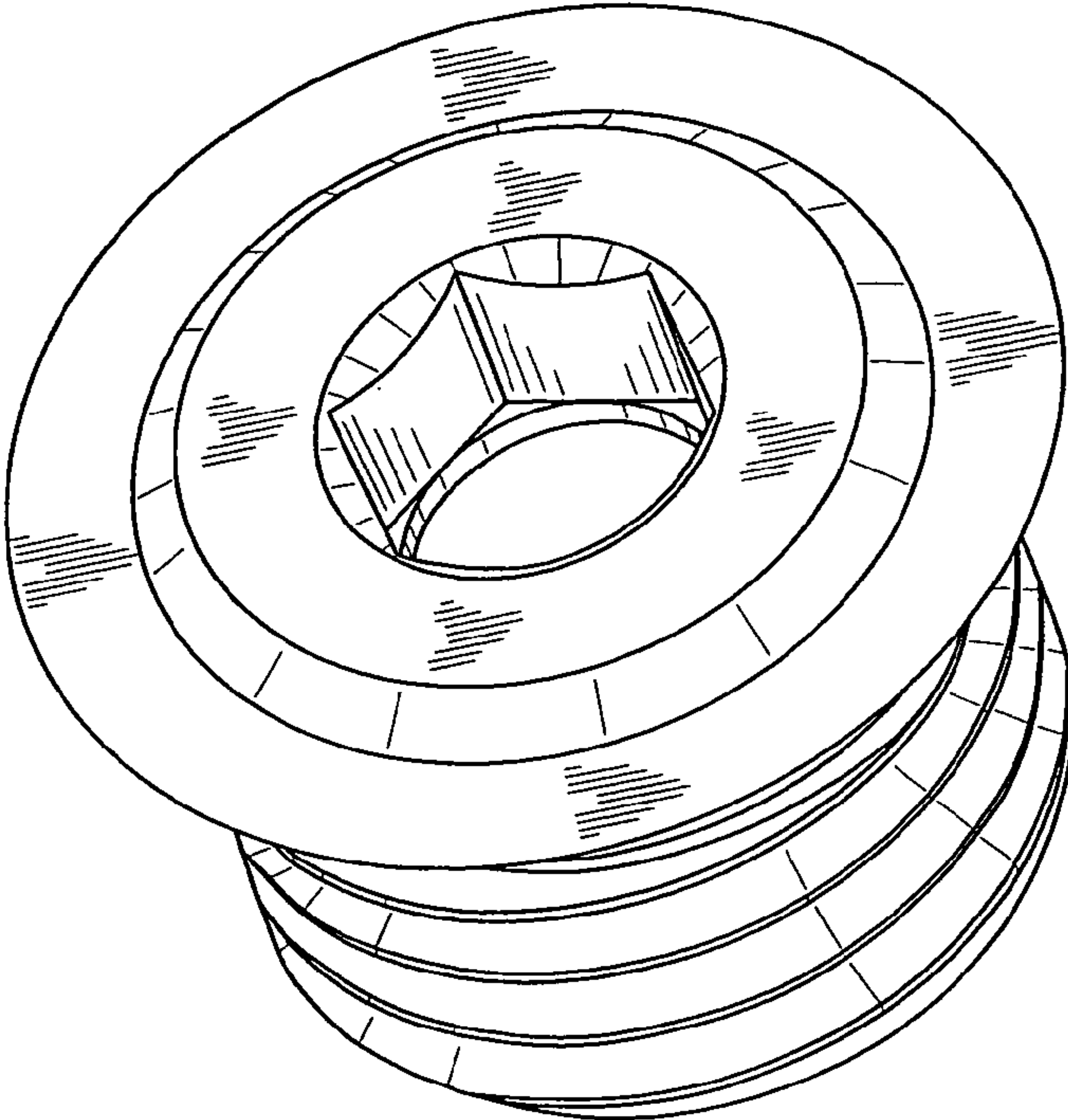


FIG. 1

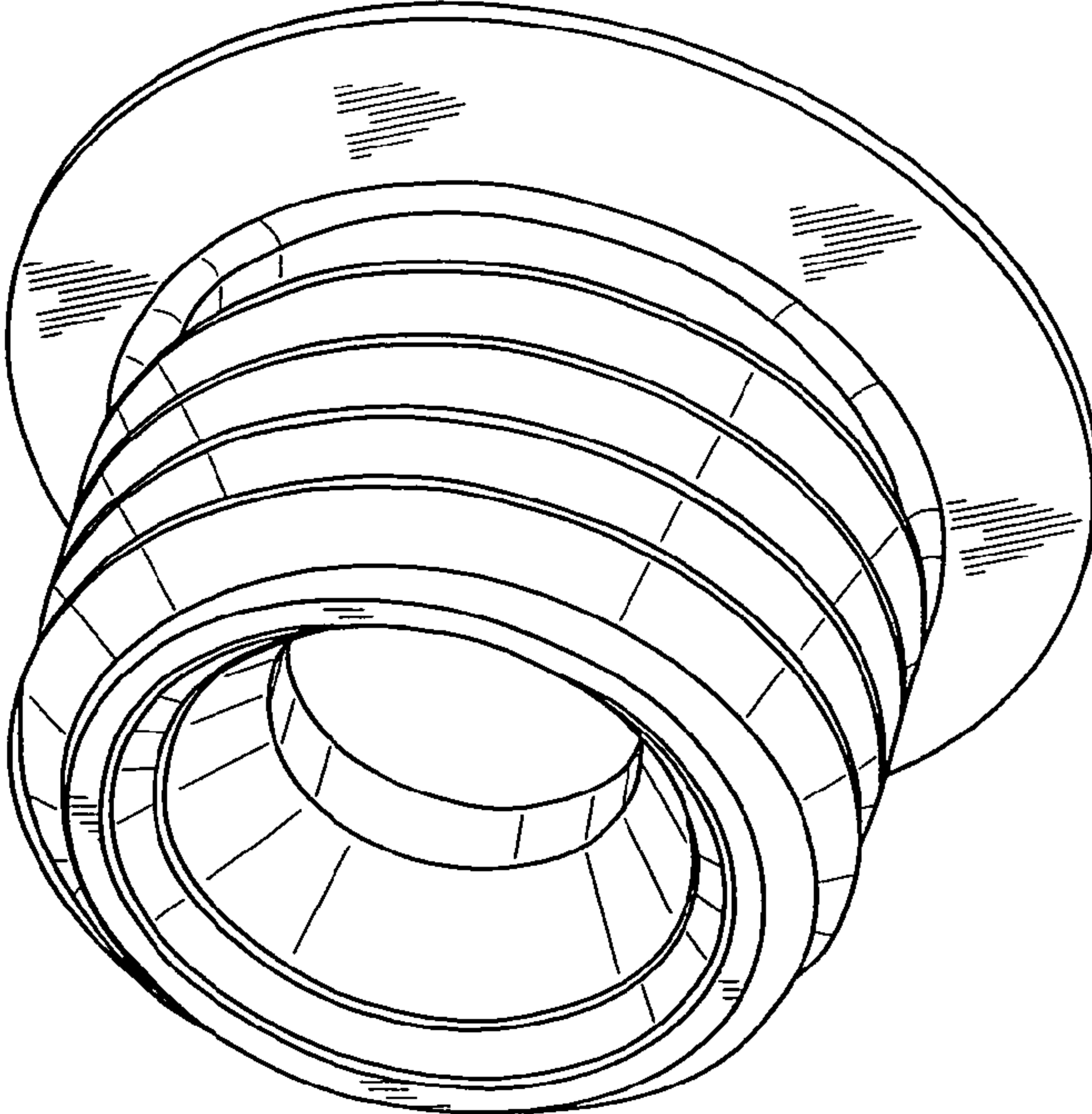


FIG. 2

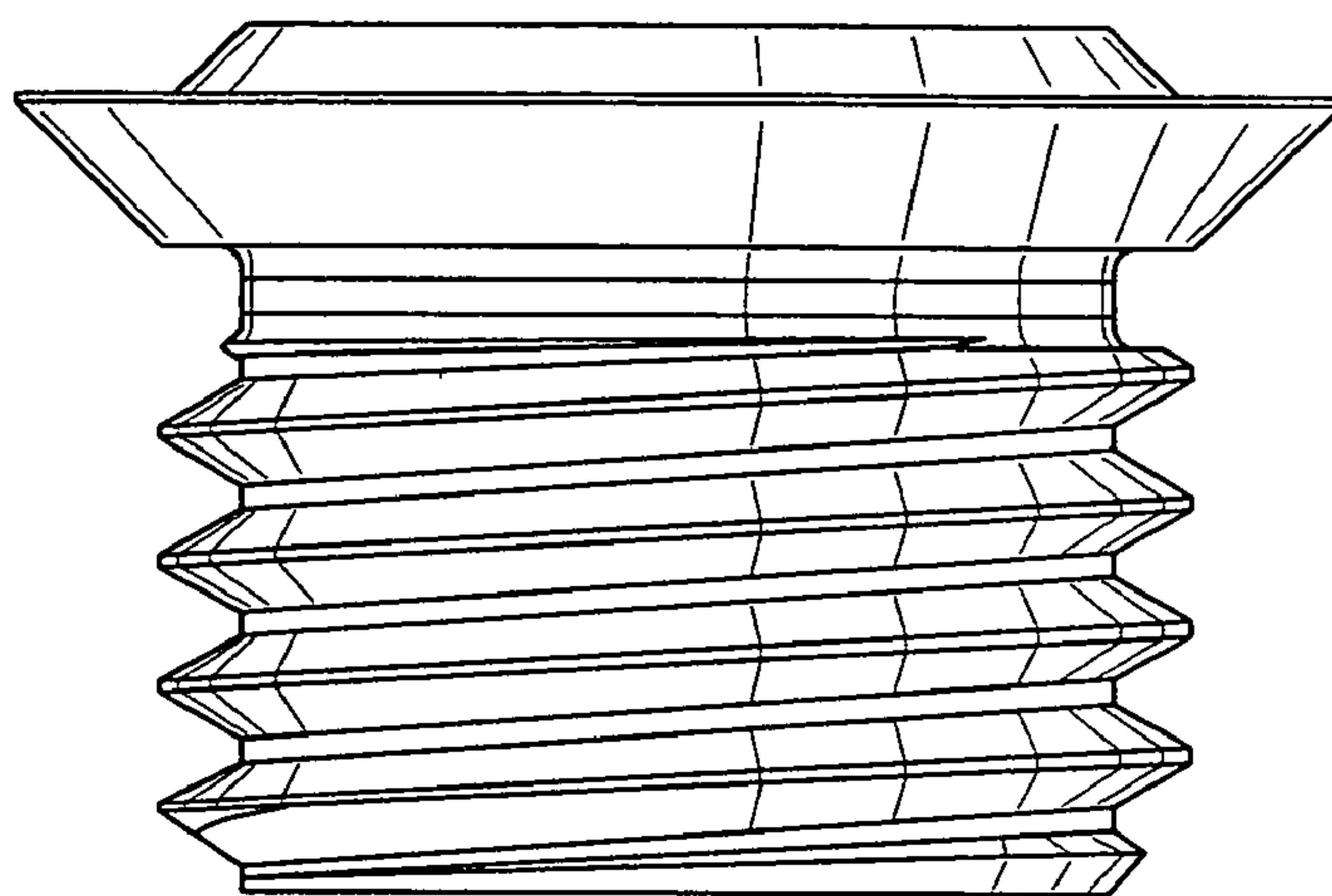


FIG. 3

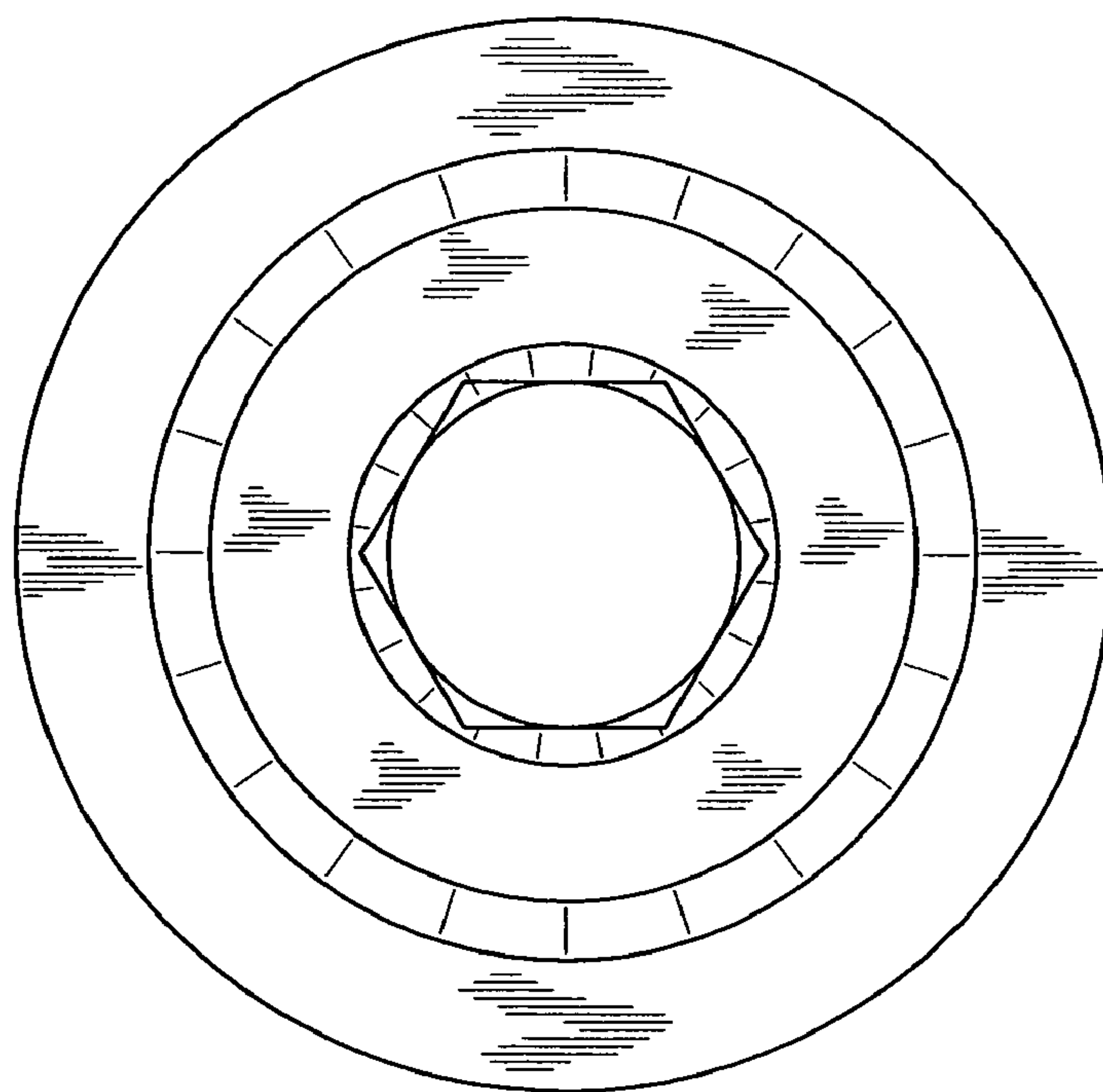


FIG. 4

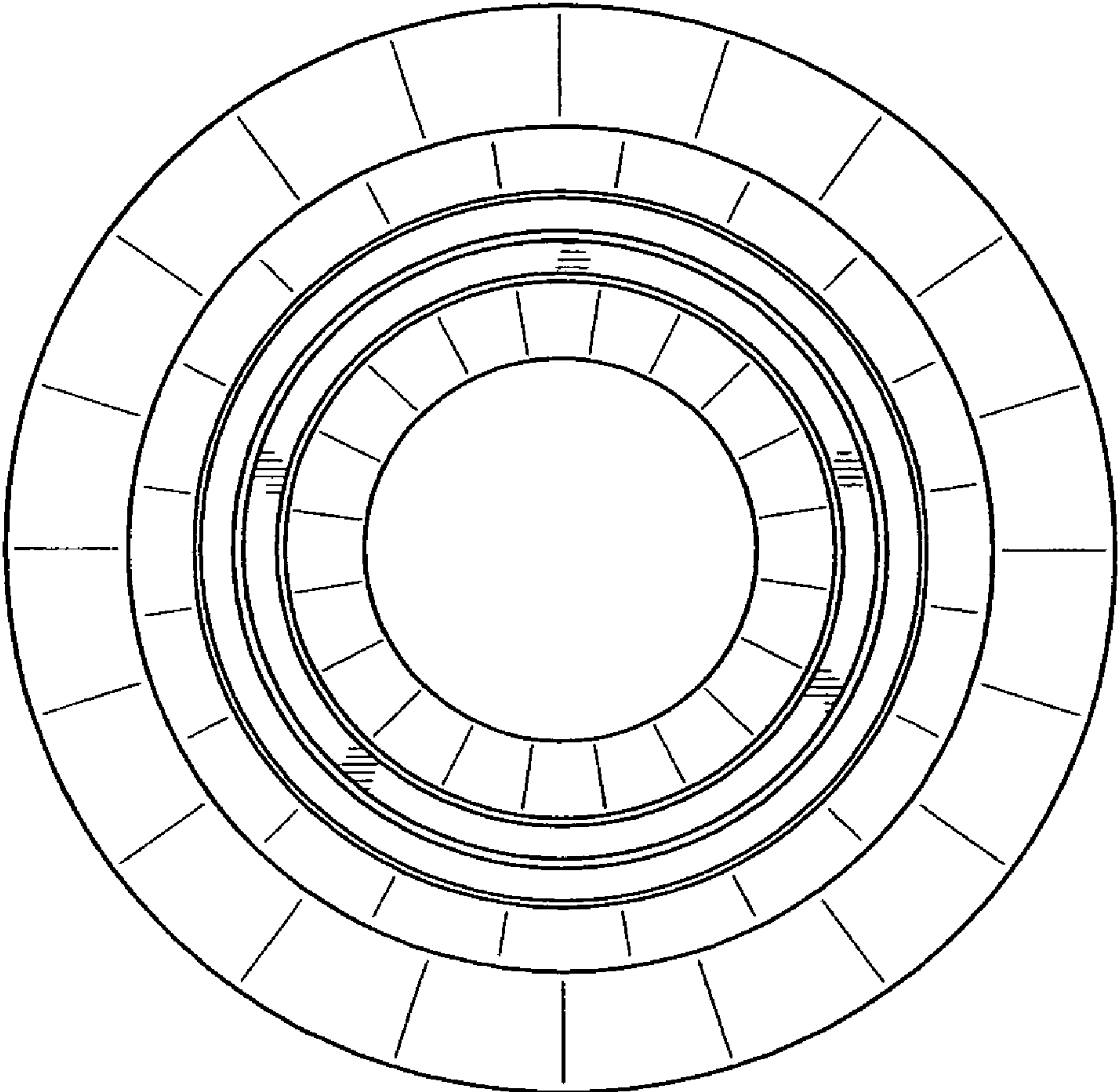


FIG. 5