



US00D678920S

(12) **United States Design Patent**
Zhang

(10) **Patent No.:** **US D678,920 S**
(45) **Date of Patent:** **** Mar. 26, 2013**

(54) **SEWING MACHINE**

(76) Inventor: **Qiongguang Zhang**, Guangdong (CN)

(**) Term: **14 Years**

(21) Appl. No.: **29/416,673**

(22) Filed: **Mar. 26, 2012**

(30) **Foreign Application Priority Data**

Aug. 11, 2011 (JP) 201130407264

(51) **LOC (9) Cl.** **21-06**

(52) **U.S. Cl.** **D15/69**

(58) **Field of Classification Search** D15/66-76;
112/2, 63, 78, 154, 217.1-217.4, 475.01,
112/256-261

See application file for complete search history.

(56) **References Cited**

U.S. PATENT DOCUMENTS

D292,930 S * 11/1987 Yoneda D15/70
D390,852 S * 2/1998 McLinden et al. D15/69

D450,332 S * 11/2001 Kuroki et al. D15/69
D506,213 S * 6/2005 Kuroki D15/69
D507,583 S * 7/2005 Muto D15/70
D516,590 S * 3/2006 Muto D15/69
D517,097 S * 3/2006 Kuroki D15/69

* cited by examiner

Primary Examiner — Mitchell Siegel

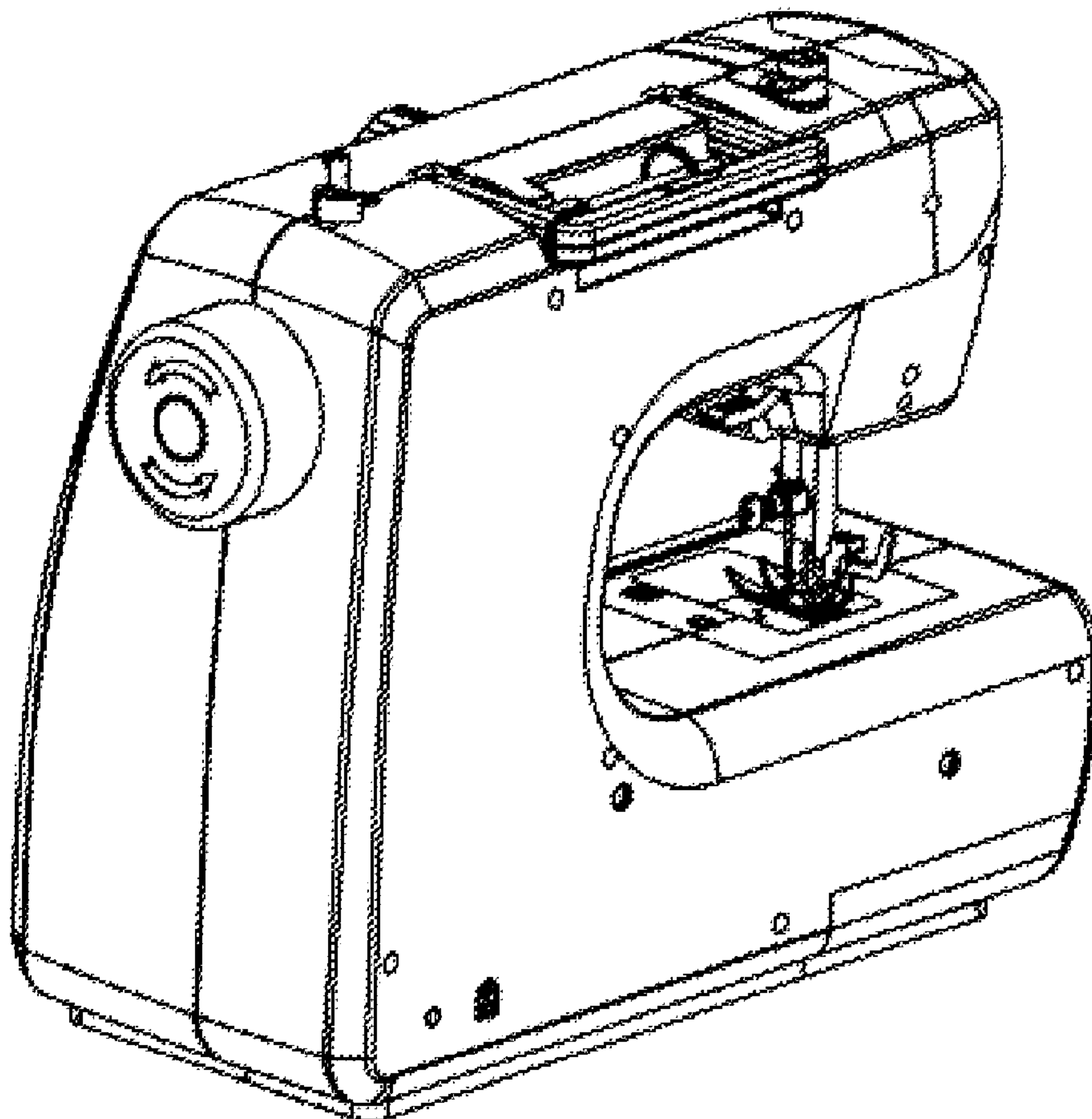
(57) **CLAIM**

The ornamental design for a sewing machine, as shown and described.

DESCRIPTION

FIG. 1 is a front elevational view of a sewing machine showing my new design;
FIG. 2 is a bottom plan view thereof;
FIG. 3 is a top plan view thereof;
FIG. 4 is a right side elevational view thereof;
FIG. 5 is a rear elevational view thereof;
FIG. 6 is a left side elevational view thereof; and,
FIG. 7 is a perspective view thereof.

1 Claim, 7 Drawing Sheets



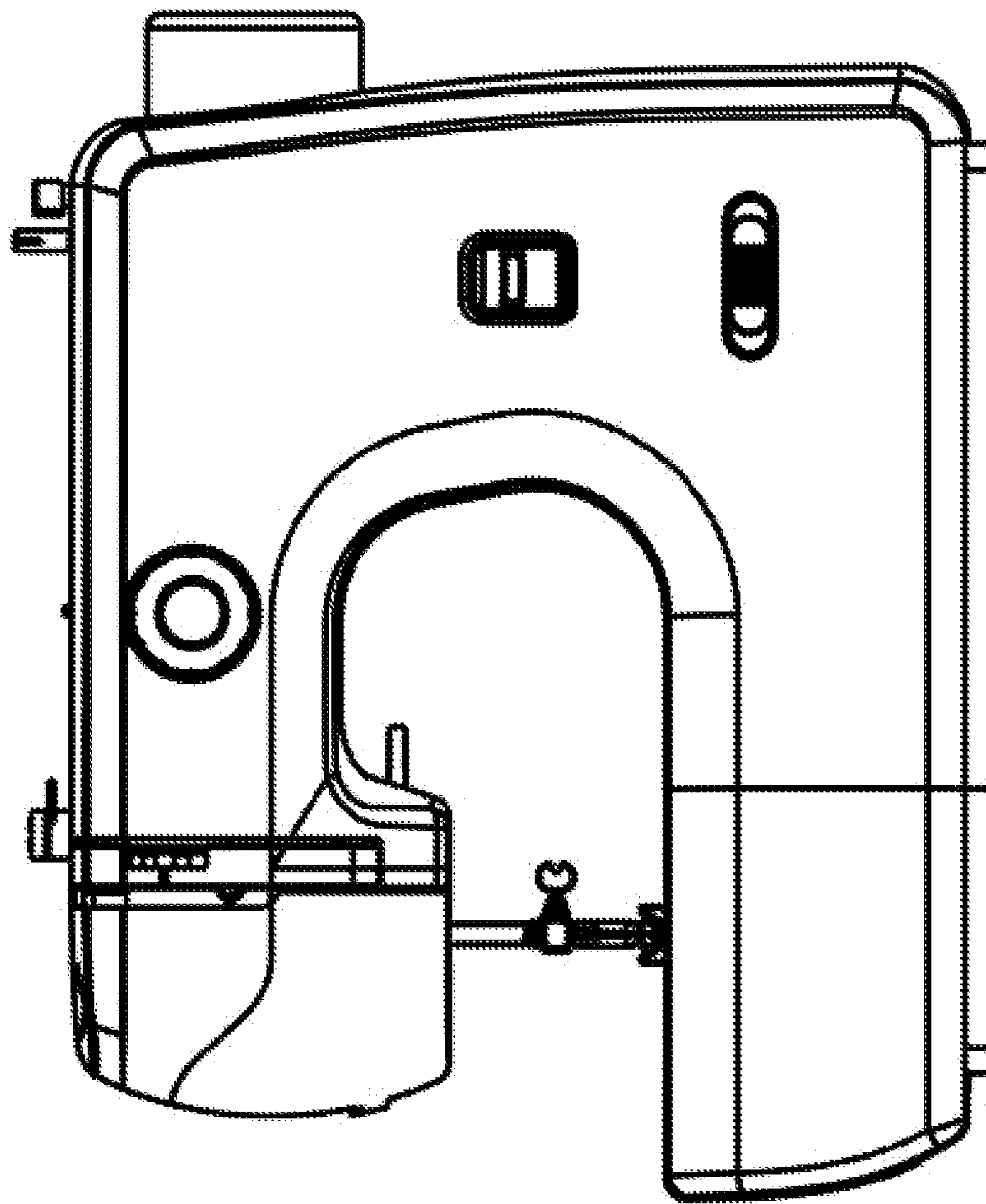


FIG.1

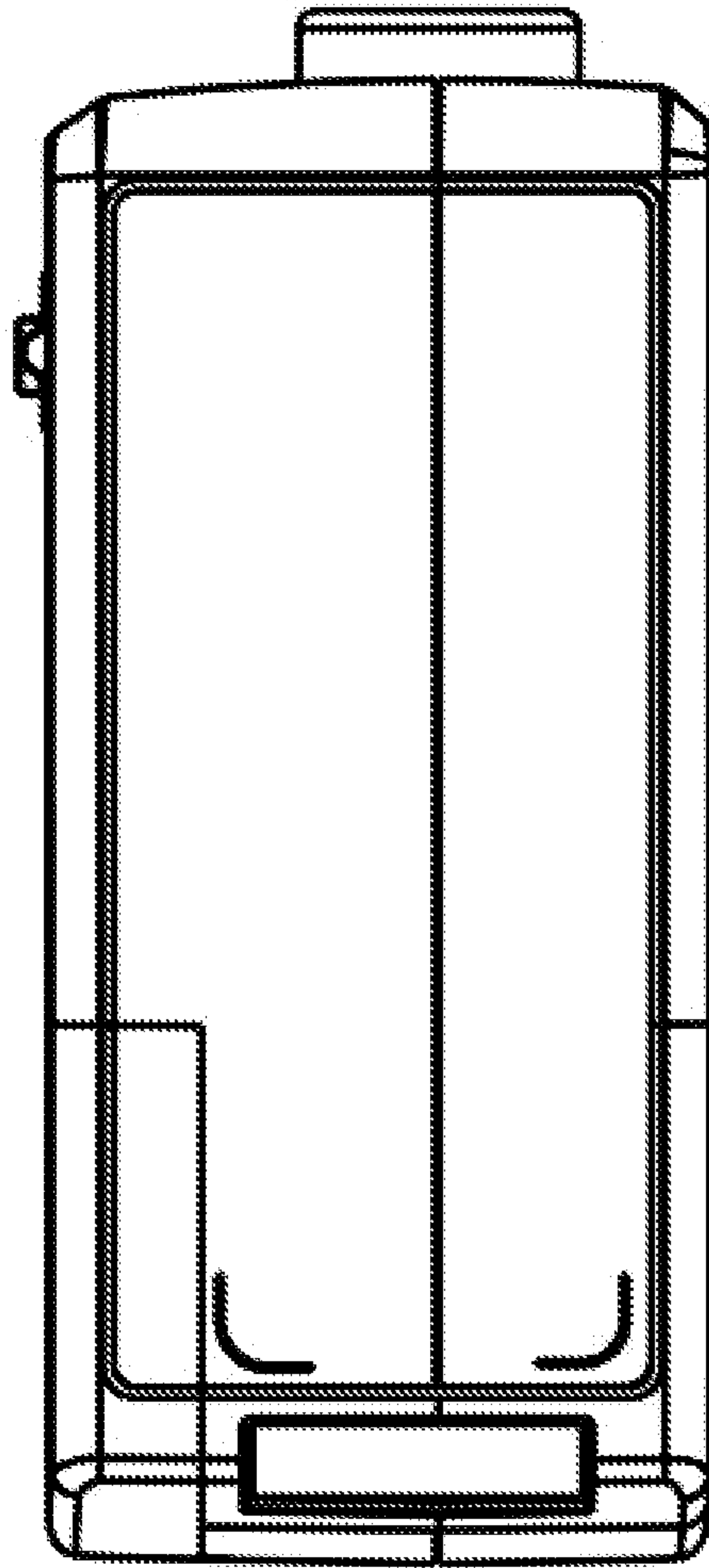


FIG.2

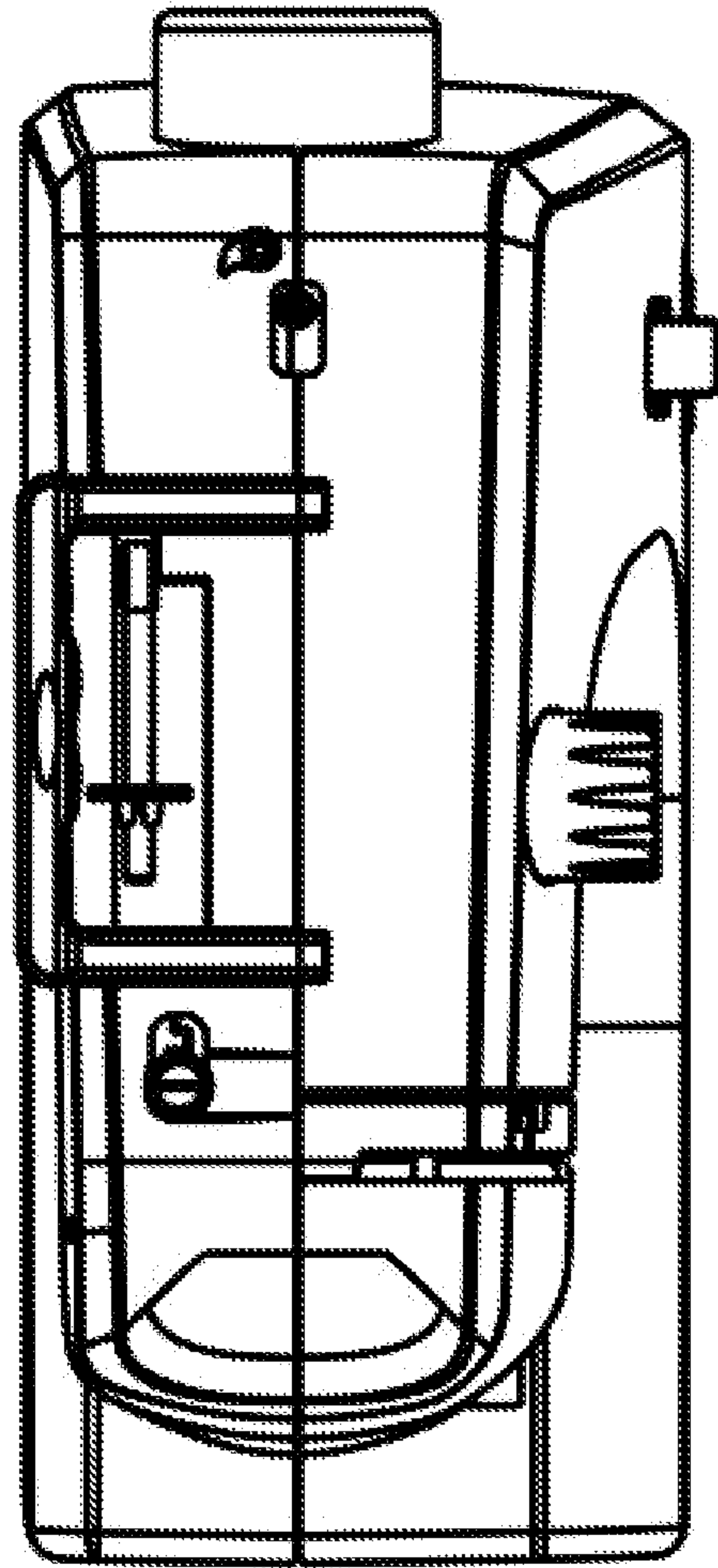


FIG.3

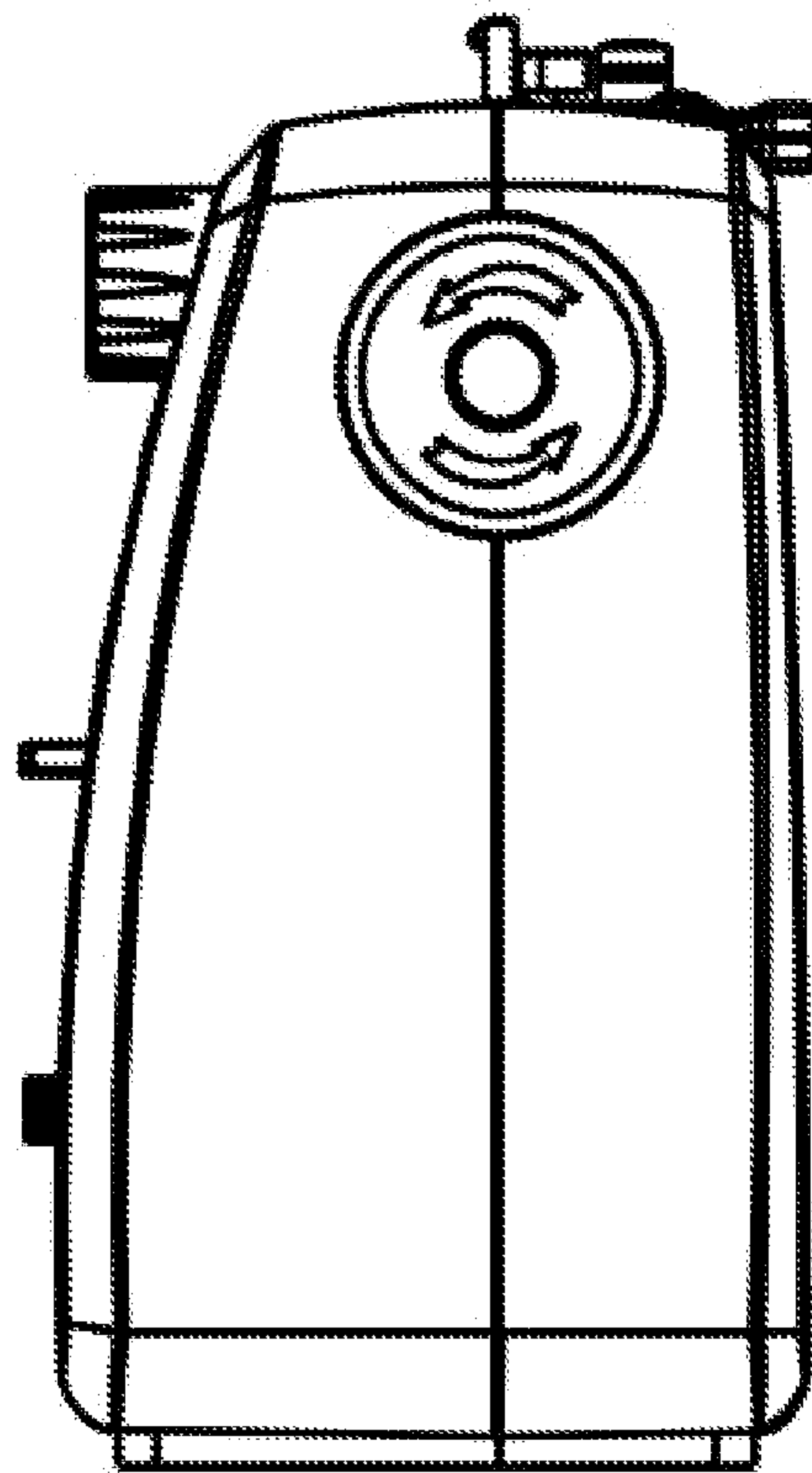


FIG.4

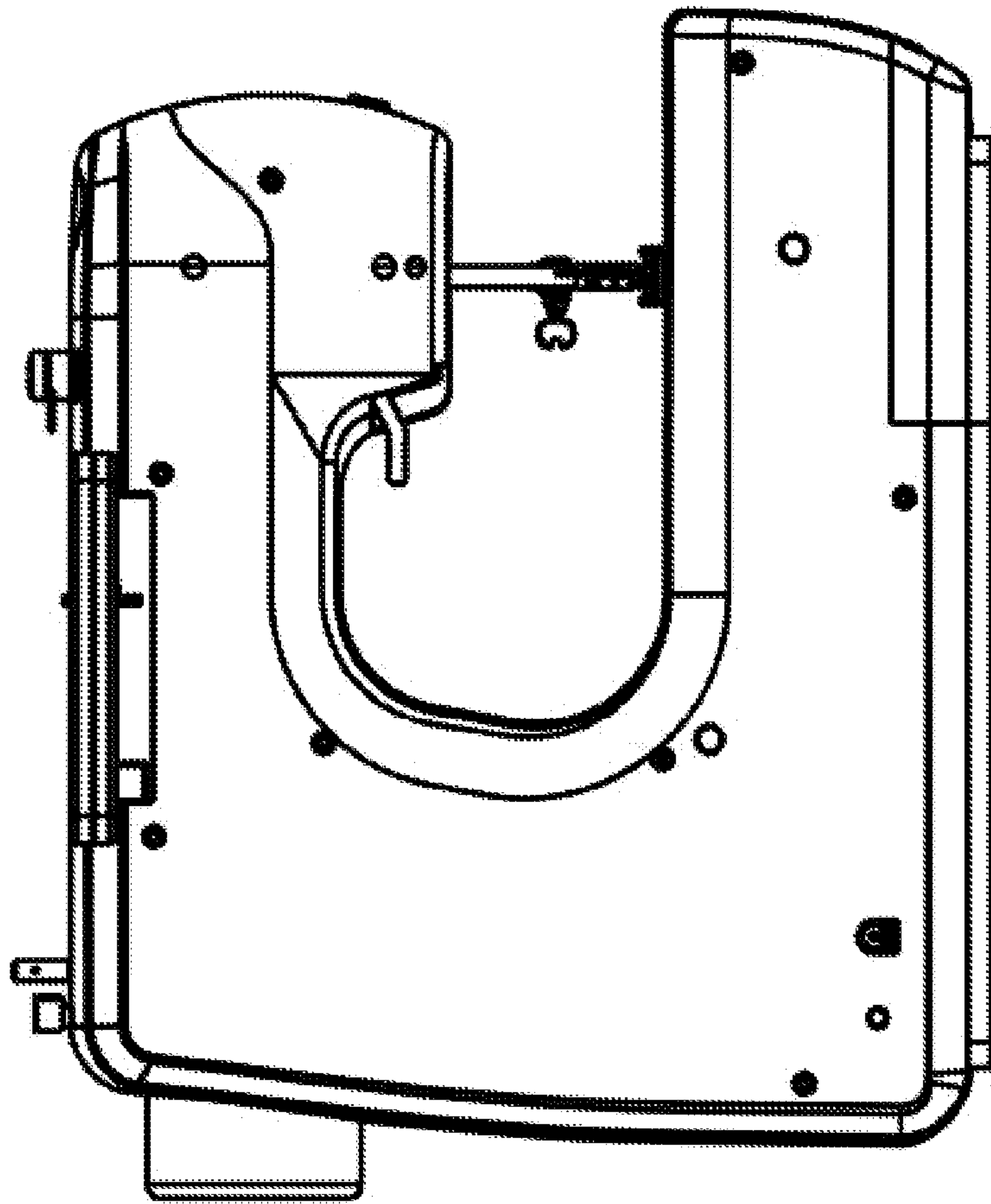


FIG.5

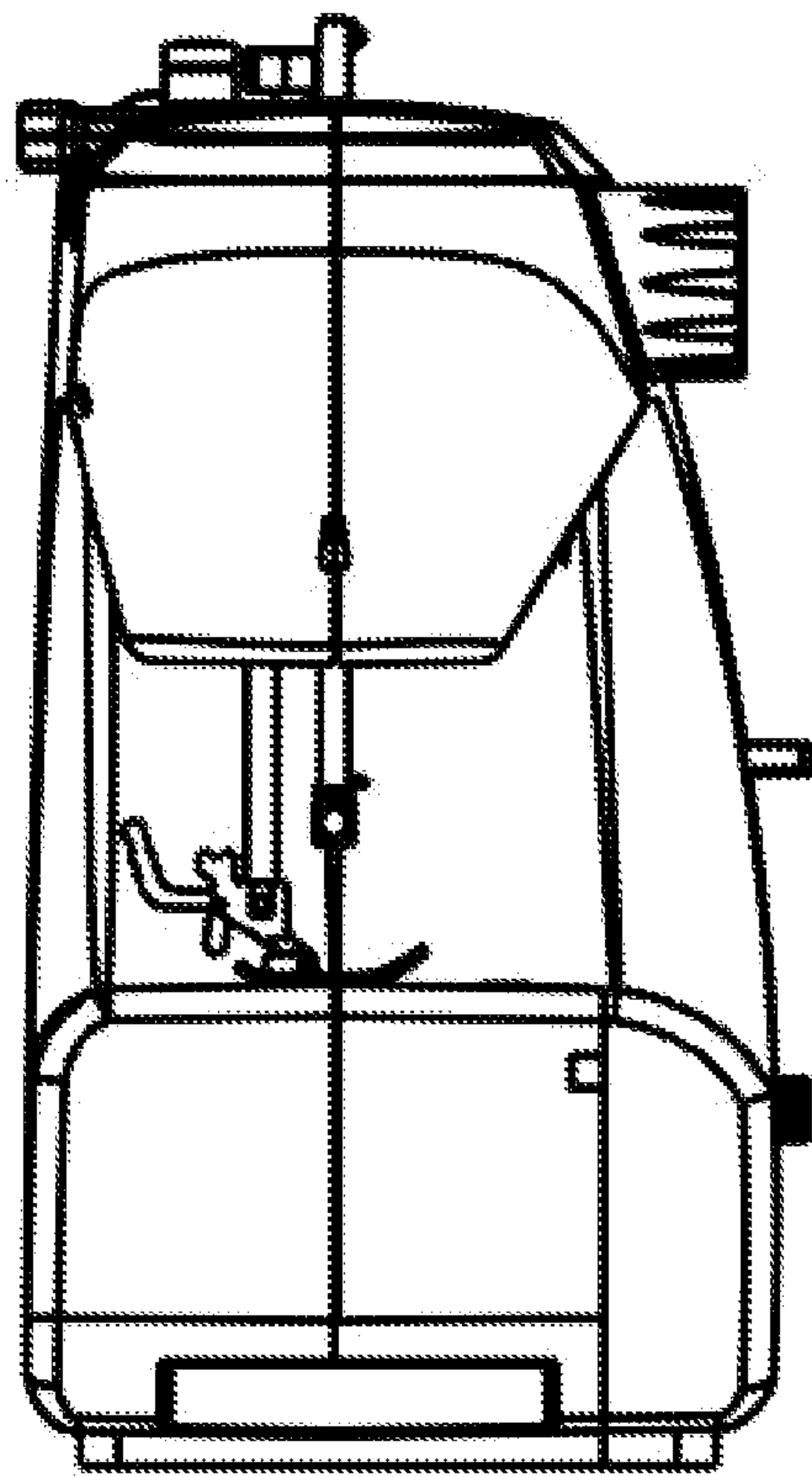


FIG.6

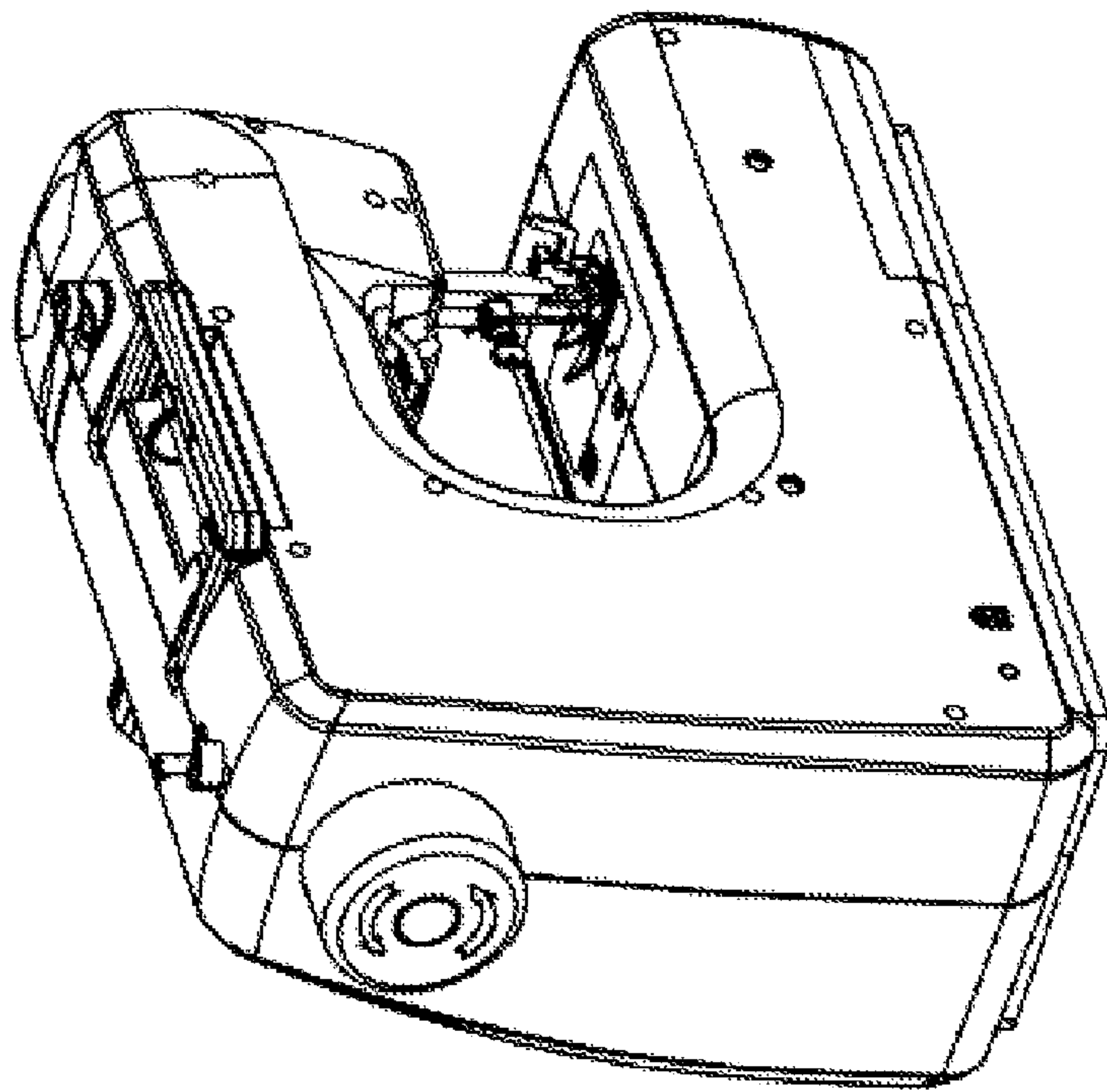


FIG.7