



US00D678919S

(12) **United States Design Patent**
Bradley et al.

(10) **Patent No.:** **US D678,919 S**
(45) **Date of Patent:** **** Mar. 26, 2013**

- (54) **EQUIPMENT DIPPERSTICK**
- (75) Inventors: **Nathan Bradley**, Muscatine, IA (US);
Matthew Wagenbach, Burlington, IA (US);
Daniel Morrow, Burlington, IA (US);
Michael Heiar, West Burlington, IA (US);
Carl Hagele, Chicago, IL (US)
- (73) Assignee: **CNH America LLC**, New Holland, PA (US)
- (**) Term: **14 Years**
- (21) Appl. No.: **29/385,995**
- (22) Filed: **Feb. 23, 2011**
- (51) **LOC (9) Cl.** **15-03**
- (52) **U.S. Cl.** **D15/32; D15/28**
- (58) **Field of Classification Search** D15/10,
D15/22-26, 28, 29, 32; 414/686, 694, 722,
414/718, 815, 723, 685; 37/341, 407
See application file for complete search history.

D535,667	S *	1/2007	Higashikawa et al.	D15/32
D540,829	S	4/2007	Johnson et al.	
7,549,242	B2	6/2009	Schmeling et al.	
D595,746	S *	7/2009	Iida et al.	D15/32
D598,031	S *	8/2009	Smith et al.	D15/28
D610,172	S *	2/2010	Yukino et al.	D15/32
7,681,686	B1	3/2010	Klas et al.	
7,735,530	B1 *	6/2010	Riha et al.	144/4.1
D628,599	S	12/2010	Major	
D629,017	S	12/2010	Major	
D629,019	S *	12/2010	Major	D15/32
7,873,455	B2	1/2011	Arshad et al.	
2003/0118432	A1 *	6/2003	Lee	414/722
2004/0000077	A1 *	1/2004	Fatemi	37/468
2006/0107557	A1 *	5/2006	Fatemi	37/466
2006/0254096	A1 *	11/2006	Poire	37/468

* cited by examiner

Primary Examiner — Mark Goodwin

(74) *Attorney, Agent, or Firm* — Patrick M. Sheldrake

(57) **CLAIM**

We claim the ornamental design for the equipment dipperstick, as shown and described.

DESCRIPTION

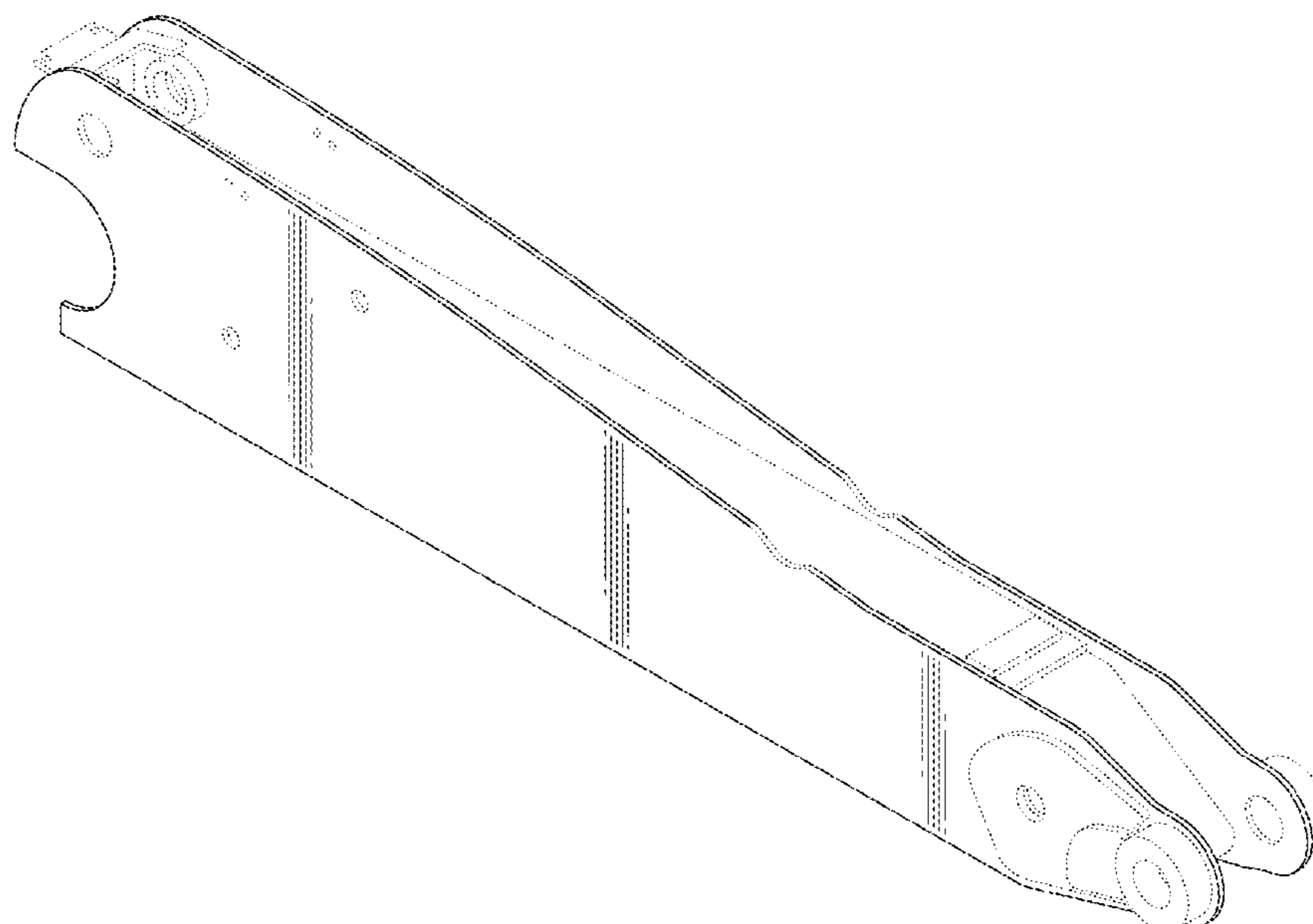
FIG. 1 is a front perspective view of an equipment dipperstick showing our new design;
 FIG. 2 is a front view thereof;
 FIG. 3 is a rear view thereof;
 FIG. 4 is a side view thereof, the opposite side view being identical thereto;
 FIG. 5 is a top plan view thereof;
 FIG. 6 is a bottom plan view thereof; and,
 FIG. 7 is a perspective view showing the equipment dipperstick in a possible operating environment.
 The broken lines are for illustrative purposes only and show unclaimed environmental subject matter.

1 Claim, 4 Drawing Sheets

(56) **References Cited**

U.S. PATENT DOCUMENTS

3,283,928	A *	11/1966	De Bosredon	414/694
3,313,431	A *	4/1967	Kelly	414/694
3,747,472	A *	7/1973	Knutson	91/384
3,807,586	A *	4/1974	Holopainen	414/694
4,576,543	A *	3/1986	Kuchyt et al.	414/722
5,054,990	A *	10/1991	Schaeff	414/694
D339,813	S	9/1993	Houkom	
5,265,995	A *	11/1993	Beck	414/694
5,531,561	A *	7/1996	Rae et al.	414/686
5,544,435	A *	8/1996	Somero	37/405
5,606,809	A *	3/1997	Allen	37/443
D410,240	S *	5/1999	Sasaki	D15/32
D431,575	S	10/2000	Park	
D451,105	S *	11/2001	Masumoto et al.	D15/28
D533,883	S *	12/2006	Higashikawa et al.	D15/32



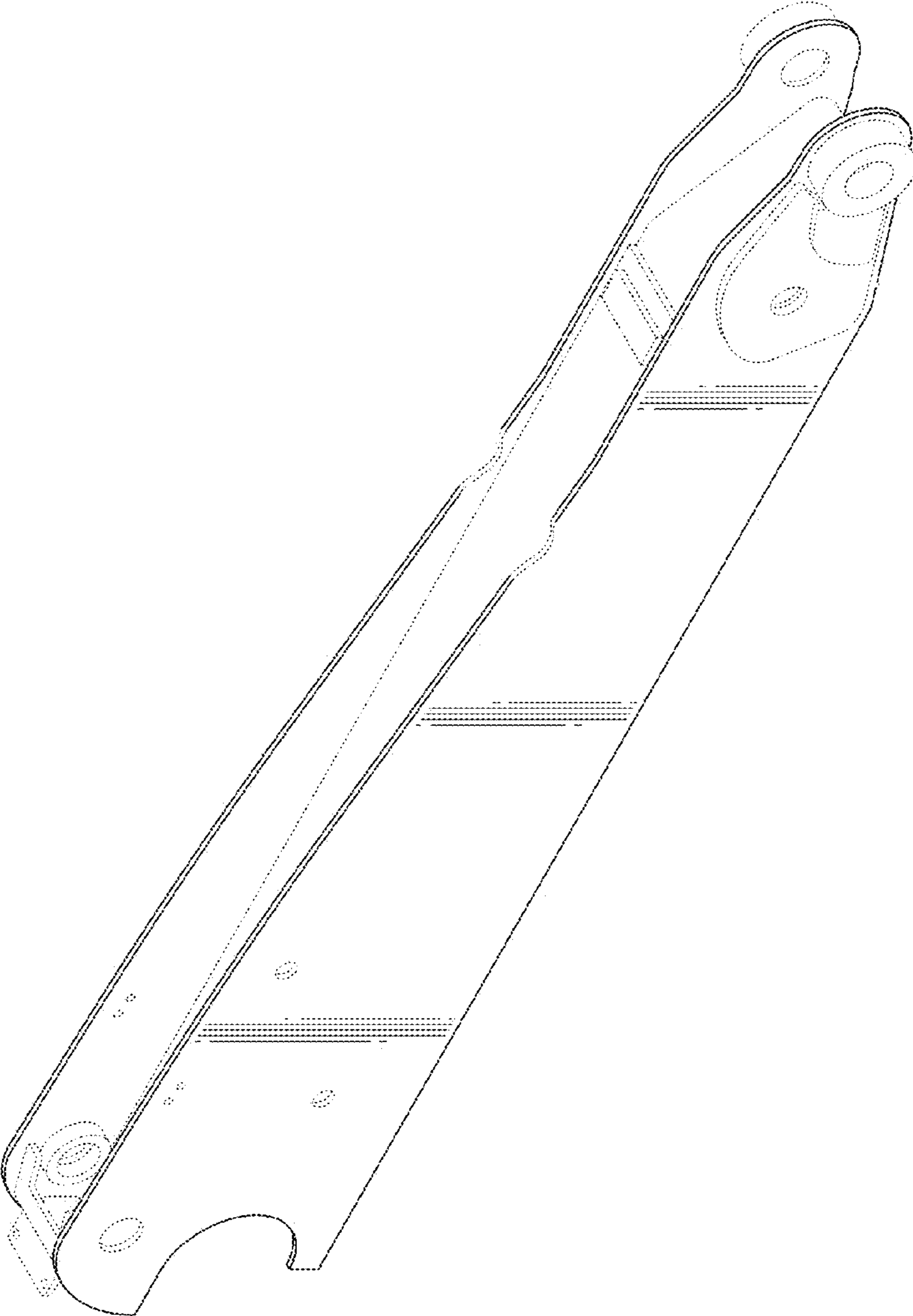


FIG. 1

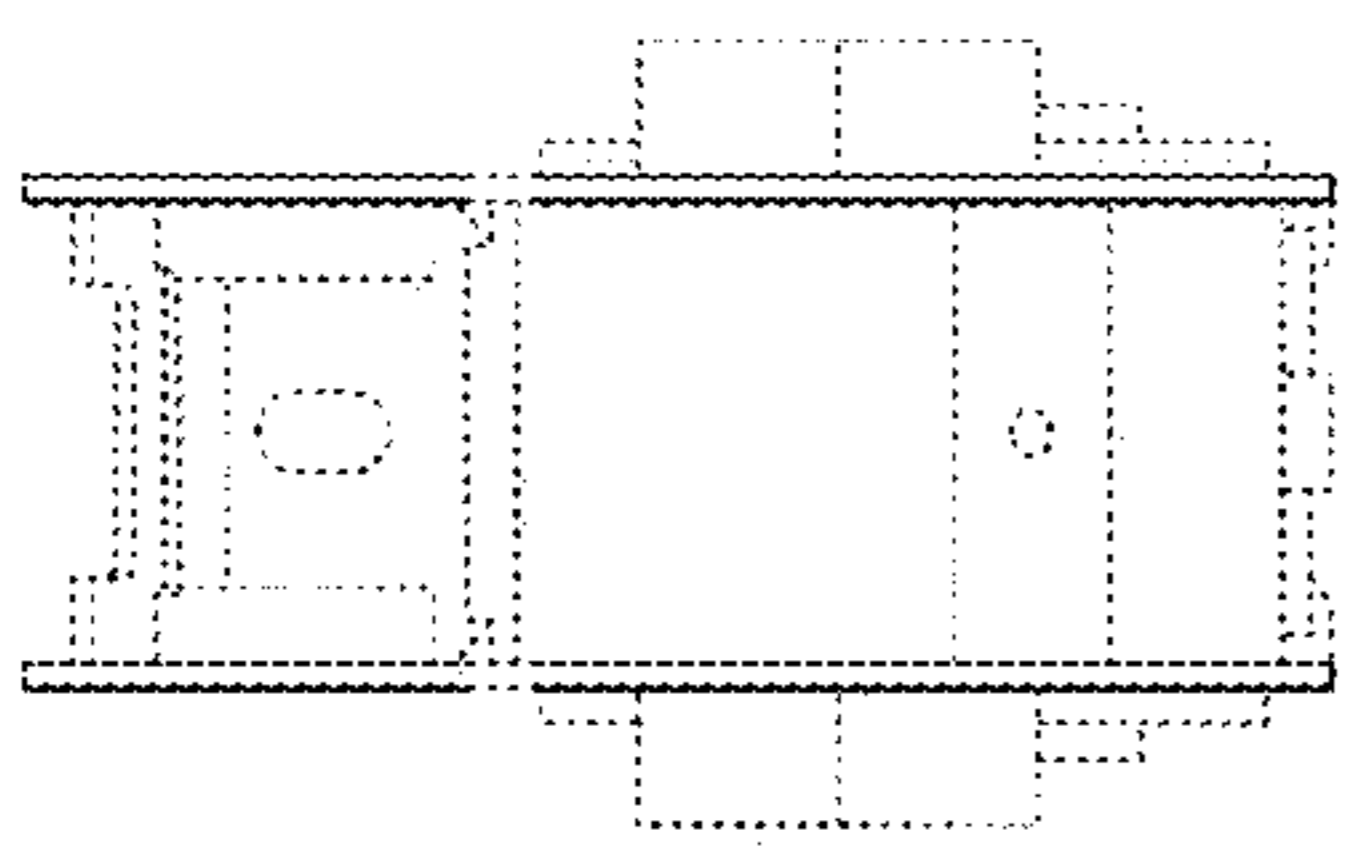


FIG. 2

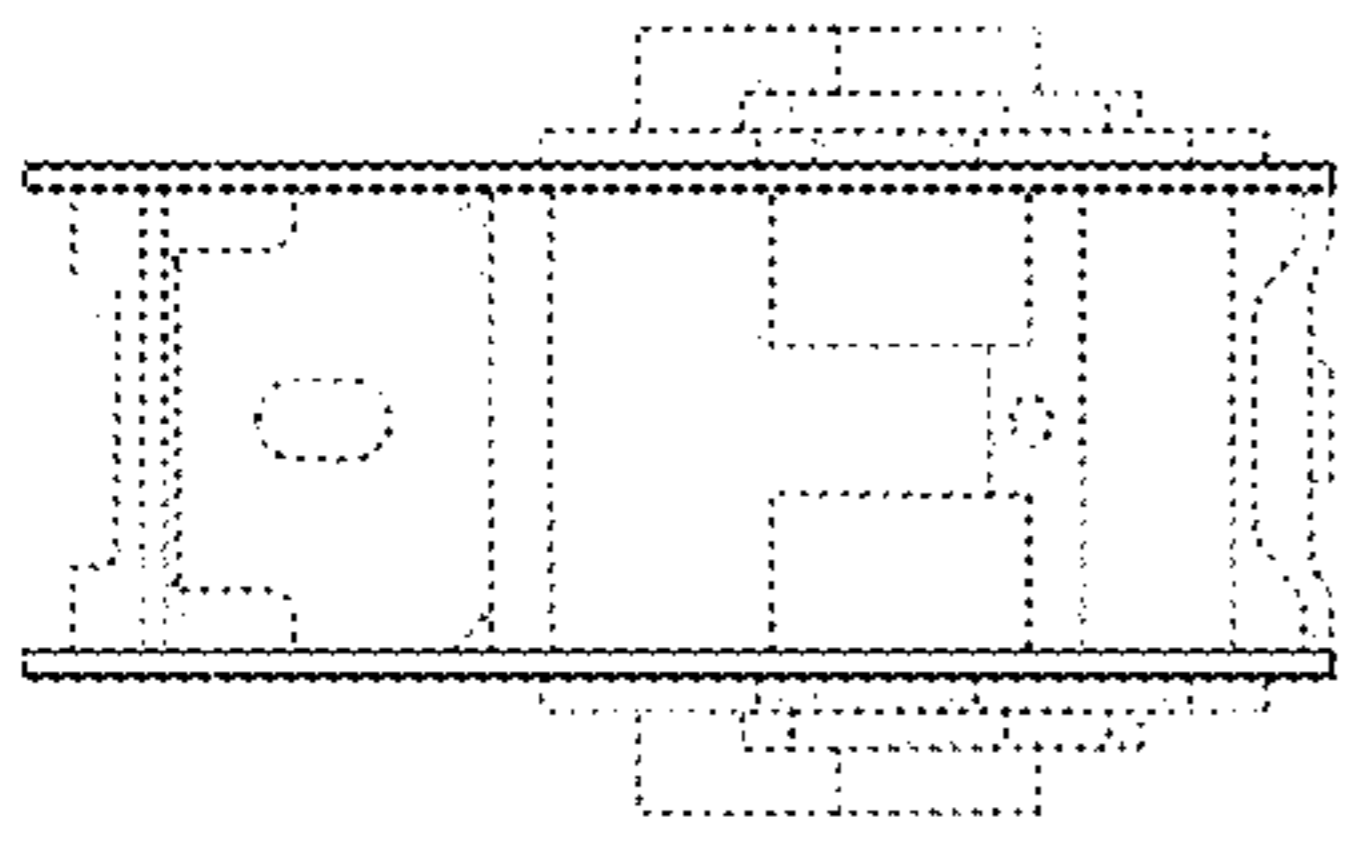


FIG. 3

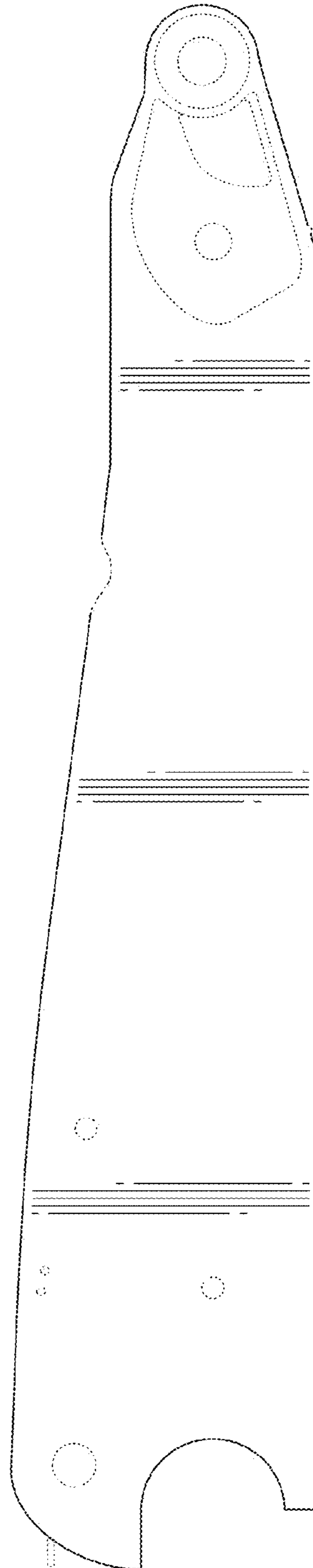


FIG. 4

U/T

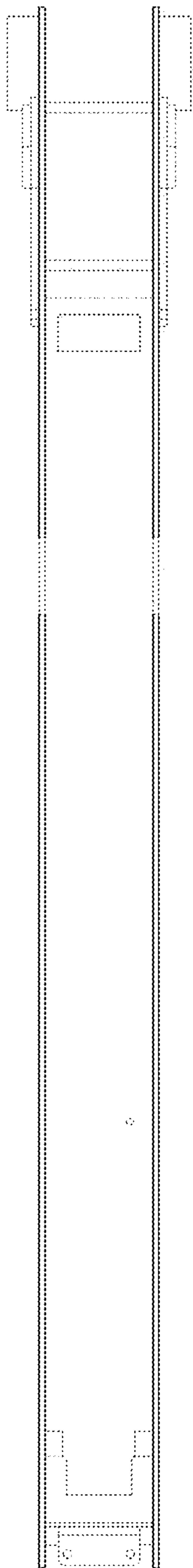


FIG. 5

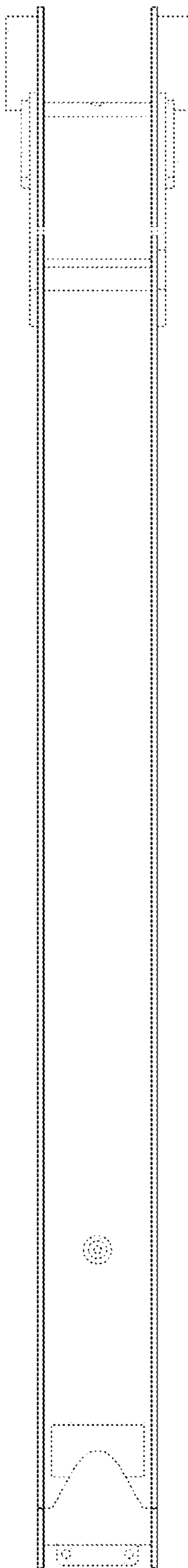


FIG. 6

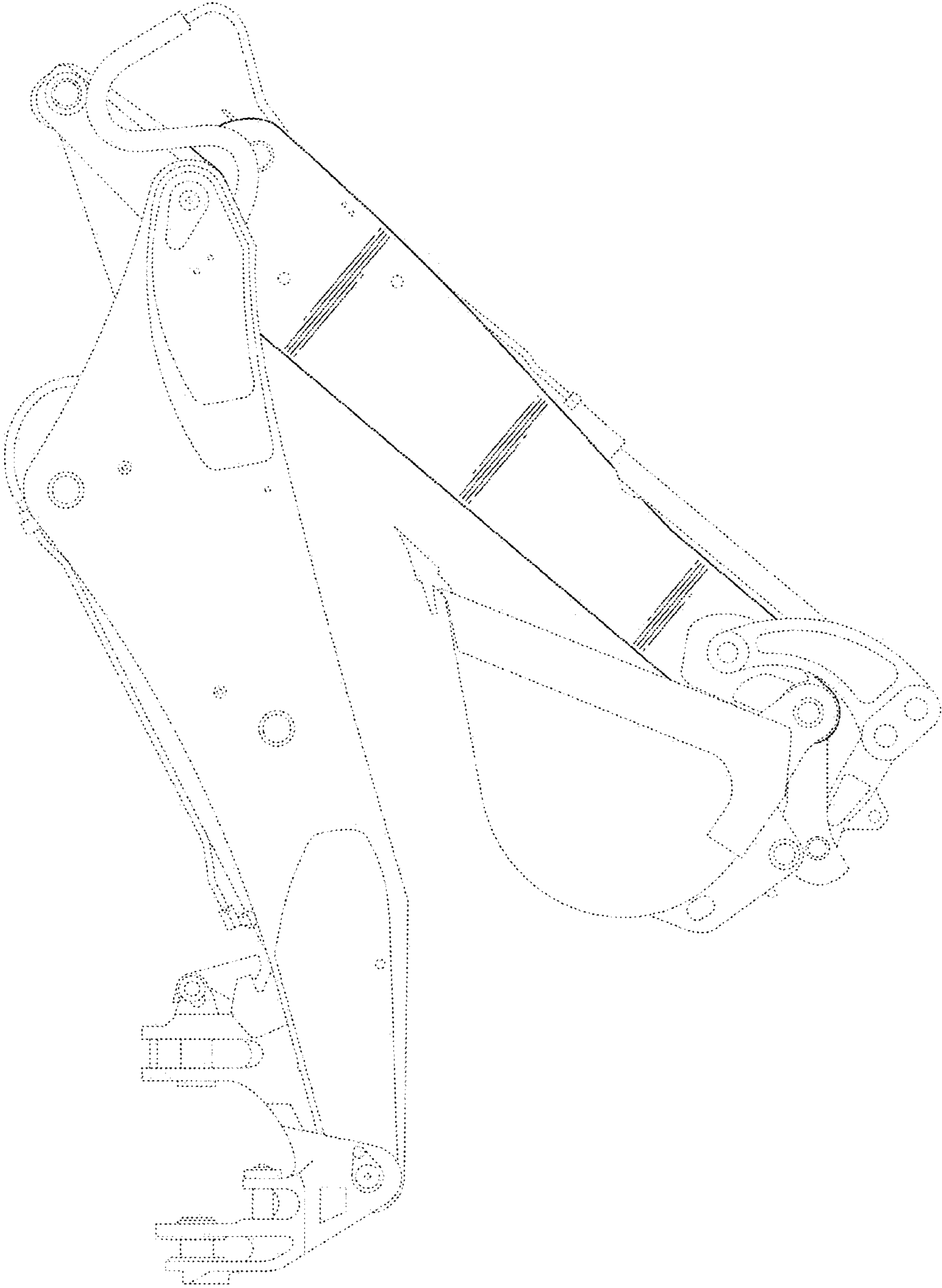


FIG. 7