



US00D678916S

(12) **United States Design Patent**
Chu

(10) **Patent No.:** **US D678,916 S**
(45) **Date of Patent:** **** Mar. 26, 2013**

(54) **HOUSING FOR AIR COMPRESSOR**
(71) Applicant: **Henry C. Chu**, Orange, CA (US)
(72) Inventor: **Henry C. Chu**, Orange, CA (US)
(**) Term: **14 Years**
(21) Appl. No.: **29/432,616**
(22) Filed: **Sep. 18, 2012**

(51) **LOC (9) Cl.** **15-02**
(52) **U.S. Cl.** **D15/9**
(58) **Field of Classification Search** D15/7-9;
D23/231, 232, 225; 417/60, 235, 265, 321,
417/355, 358, 363, 359, 410.1, 415-416,
417/405, 900; 60/408, 412; 184/26-37;
415/140-147; 123/495, 509
See application file for complete search history.

(56) **References Cited**

U.S. PATENT DOCUMENTS

D507,280	S	*	7/2005	Chu et al.	D15/9
D529,050	S	*	9/2006	Chu	D15/9
D529,927	S	*	10/2006	Chu	D15/9
D529,928	S	*	10/2006	Chu	D15/9
D529,930	S	*	10/2006	Chu	D15/9
D533,881	S	*	12/2006	Chu	D15/9
D554,666	S	*	11/2007	Chu	D15/9
D554,667	S	*	11/2007	Chu	D15/9
D555,174	S	*	11/2007	Hwang	D15/9
D555,670	S	*	11/2007	Hwang	D15/9
D556,783	S	*	12/2007	Chu	D15/9
D557,287	S	*	12/2007	Chu	D15/9
D574,854	S	*	8/2008	Chu	D15/9
D574,855	S	*	8/2008	Chu	D15/9
D575,306	S	*	8/2008	Chu	D15/9
D575,307	S	*	8/2008	Chu	D15/9
D575,802	S	*	8/2008	Chu	D15/9
D589,064	S	*	3/2009	Chu	D15/9
D589,534	S	*	3/2009	Chu	D15/9
D603,873	S	*	11/2009	Chu	D15/9

D603,874	S	*	11/2009	Chu	D15/9
D603,875	S	*	11/2009	Chu	D15/9
D617,349	S	*	6/2010	Chu	D15/9
D647,925	S	*	11/2011	Chu	D15/9
D648,749	S	*	11/2011	Chu	D15/9
D648,751	S	*	11/2011	Chu	D15/9
D648,752	S	*	11/2011	Chu	D15/9
D648,753	S	*	11/2011	Chu	D15/9
D656,963	S	*	4/2012	Nam	D15/7
D666,218	S	*	8/2012	Chu	D15/9
D666,219	S	*	8/2012	Chu	D15/9

* cited by examiner

Primary Examiner — Ralf Seifert

(74) *Attorney, Agent, or Firm* — Charles E. Baxley

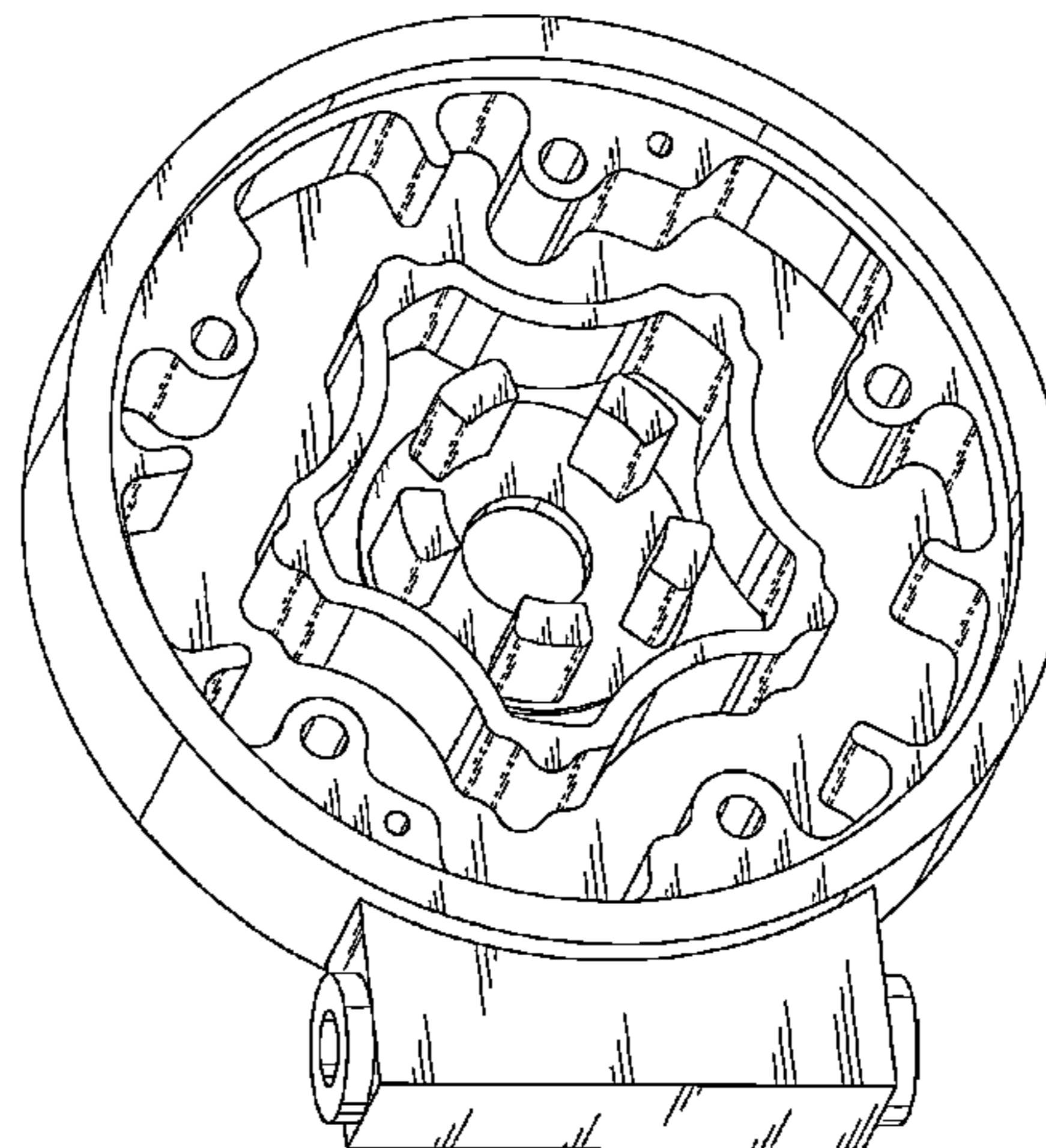
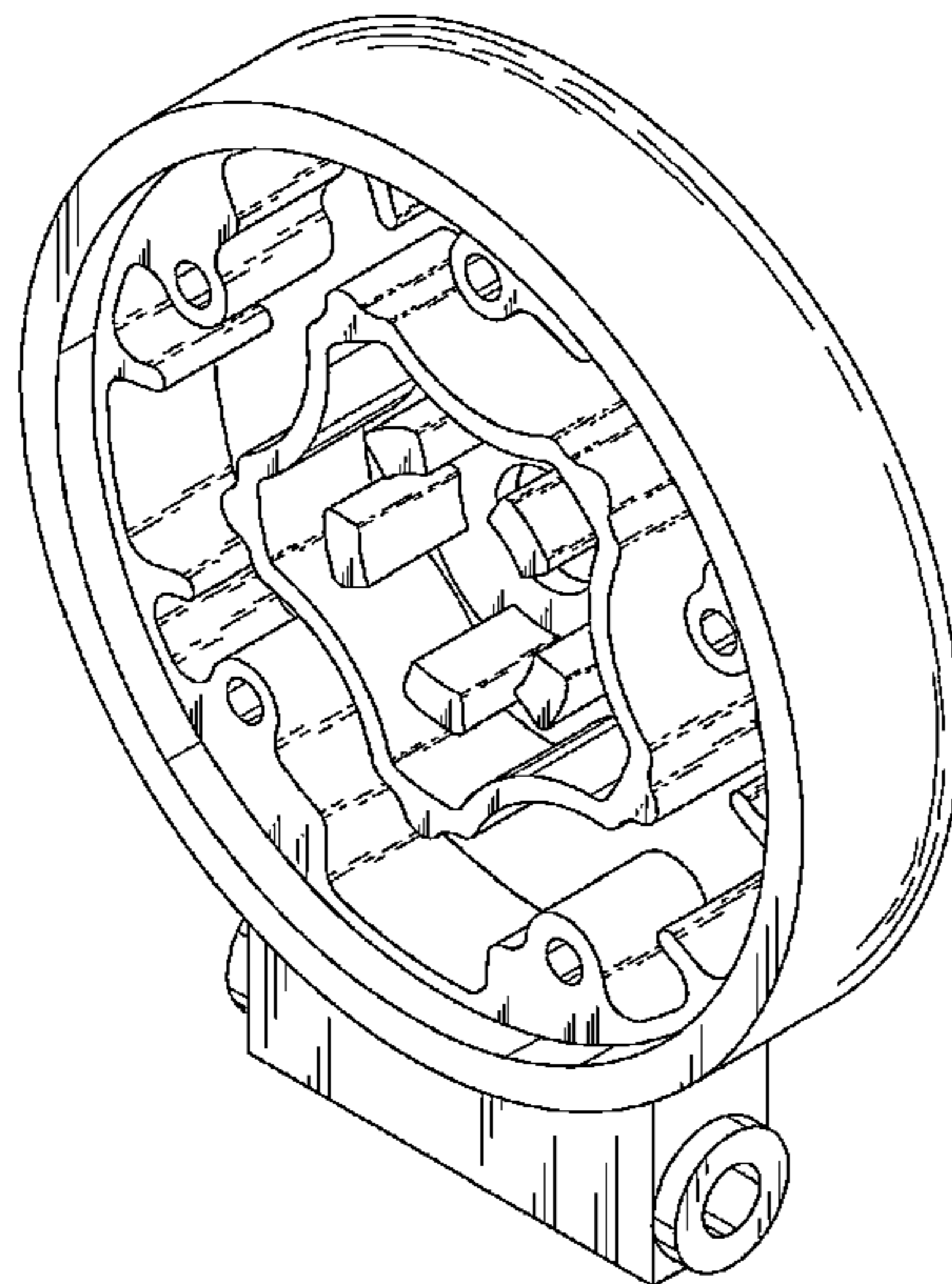
(57) **CLAIM**

The ornamental design for a housing for air compressor, as shown and described.

DESCRIPTION

FIG. 1 is a front and upper perspective view of a housing for air compressor showing my new design; FIG. 2 is a front elevational view thereof; FIG. 3 is a rear elevational view thereof; FIG. 4 is a top plan view thereof; FIG. 5 is a bottom plan view thereof; FIG. 6 is a left side elevational view thereof; FIG. 7 is a right side elevational view thereof; FIG. 8 is a front and bottom perspective view thereof; FIG. 9 is a rear perspective view thereof; FIG. 10 is a front and upper perspective view thereof, the openings and the ribs or protrusions depicted by means of broken lines being for illustrative purposes only and forming no part of the claimed design; and, FIG. 11 is a rear perspective view thereof, the openings depicted by means of broken lines being for illustrative purposes only and forming no part of the claimed design.

1 Claim, 6 Drawing Sheets



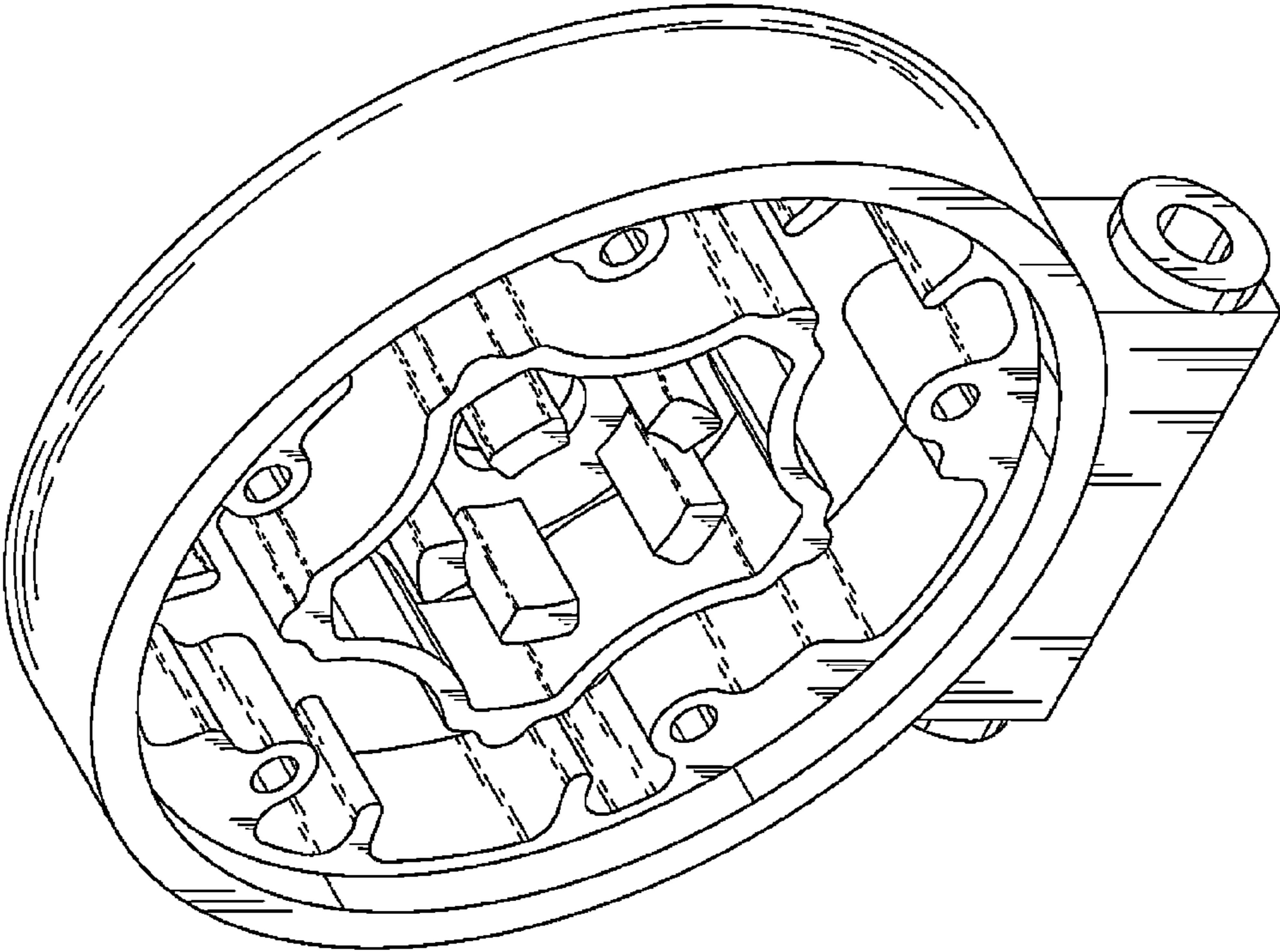


FIG. 1

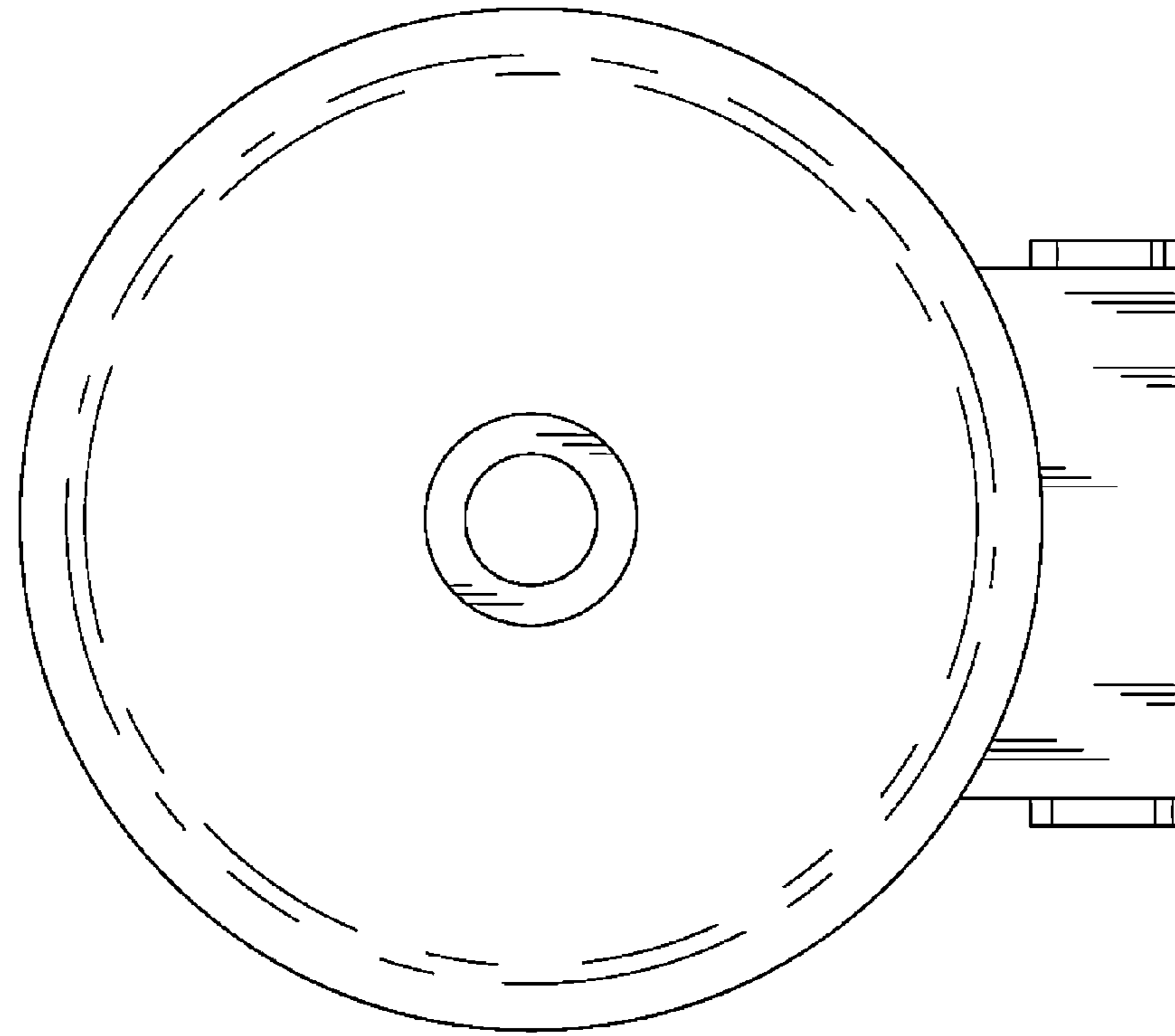


FIG. 2

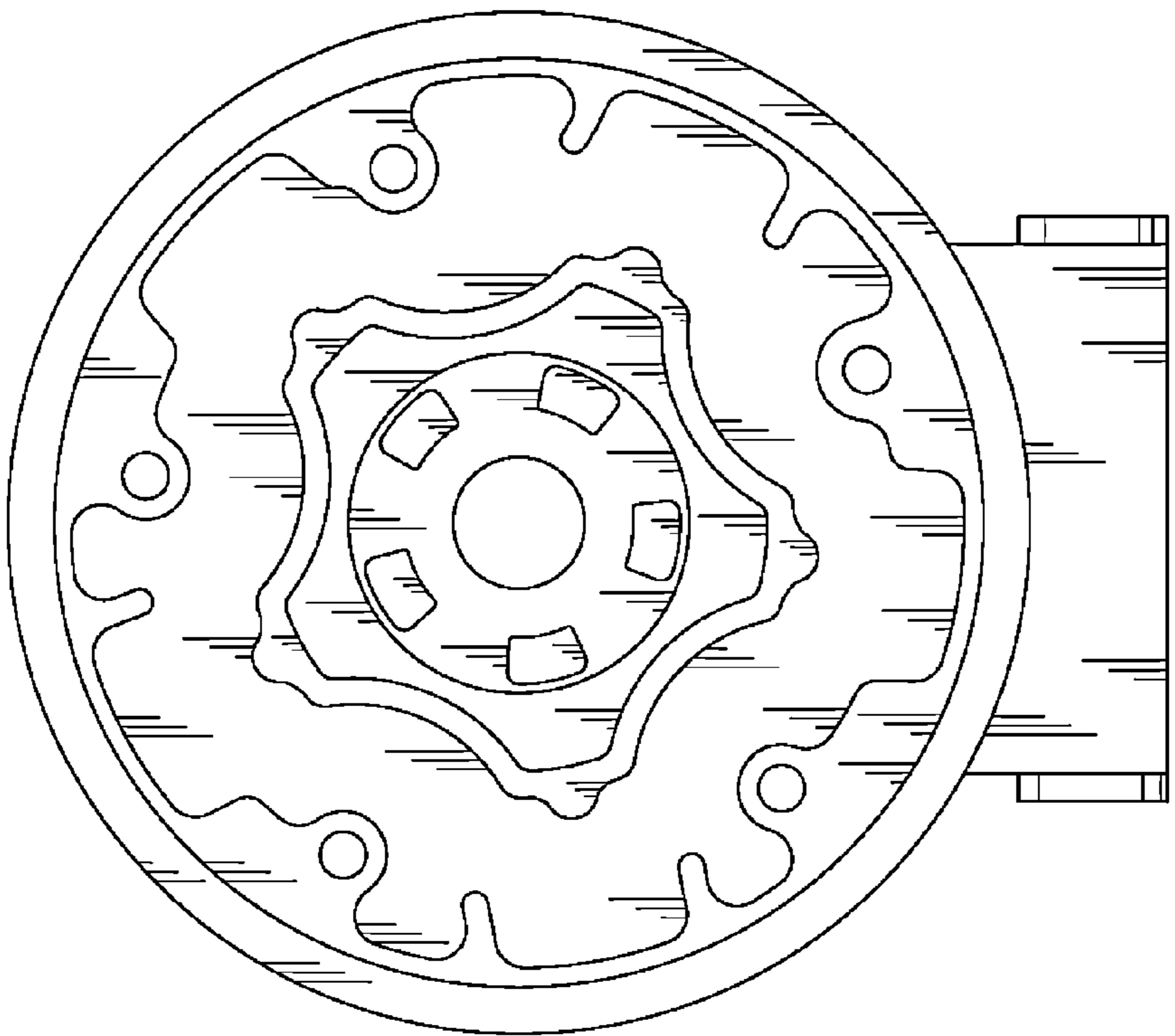


FIG. 3

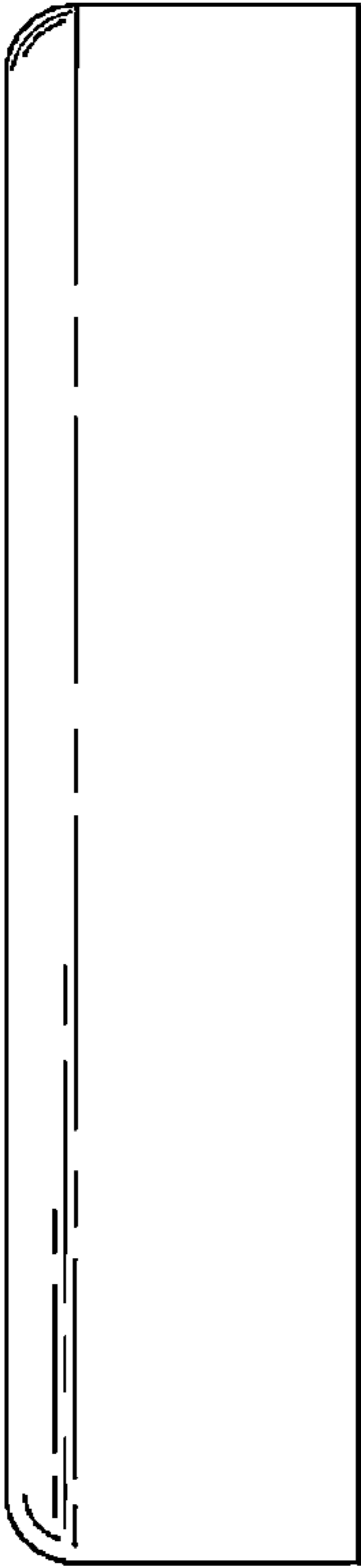


FIG. 4

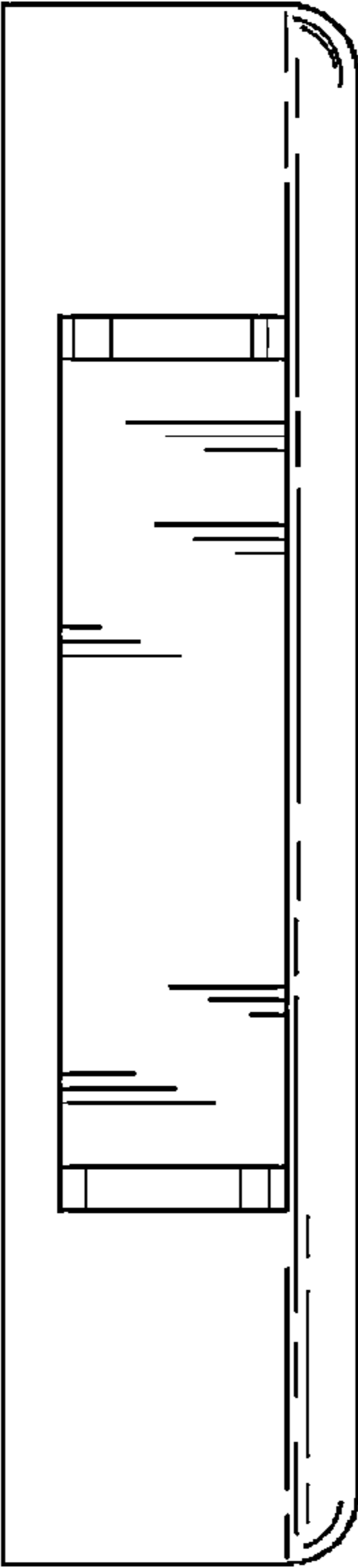


FIG. 5

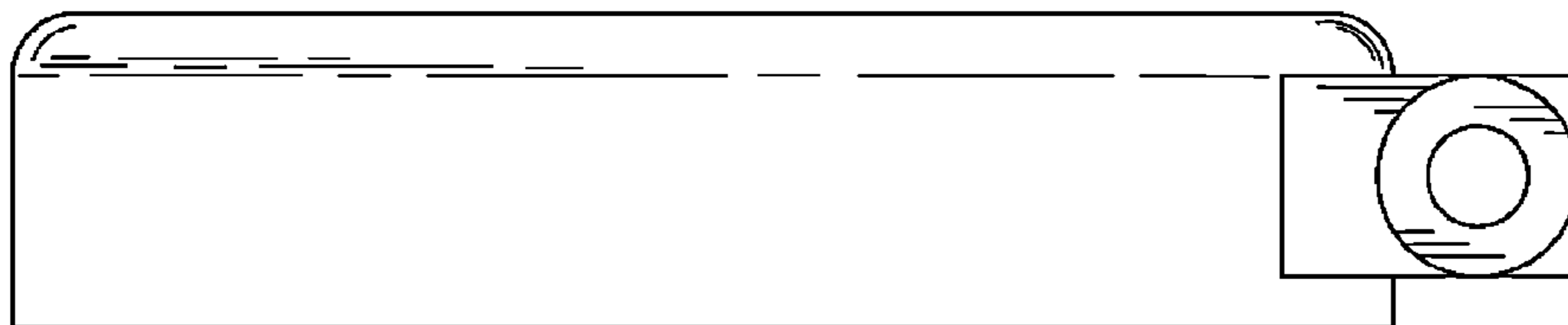


FIG. 7

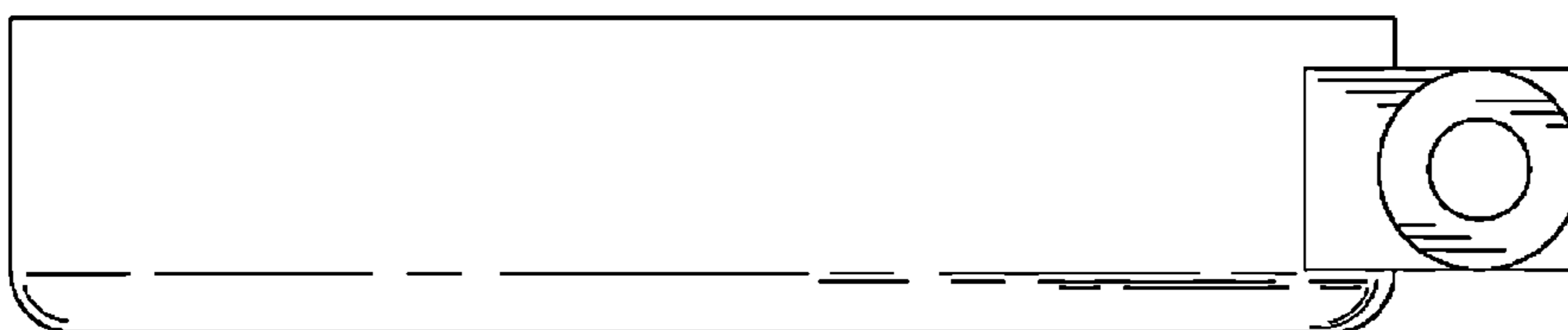


FIG. 6

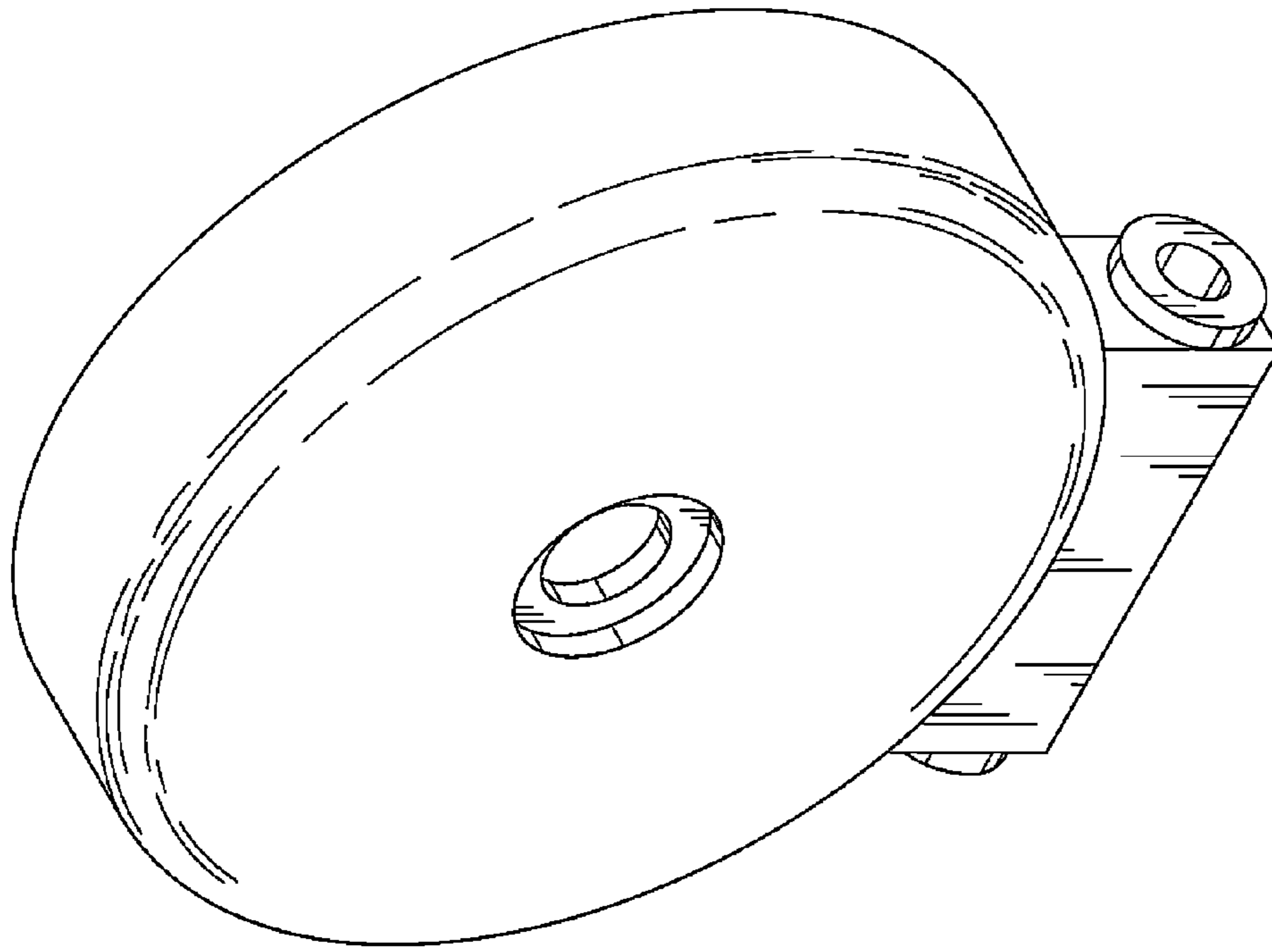


FIG. 9

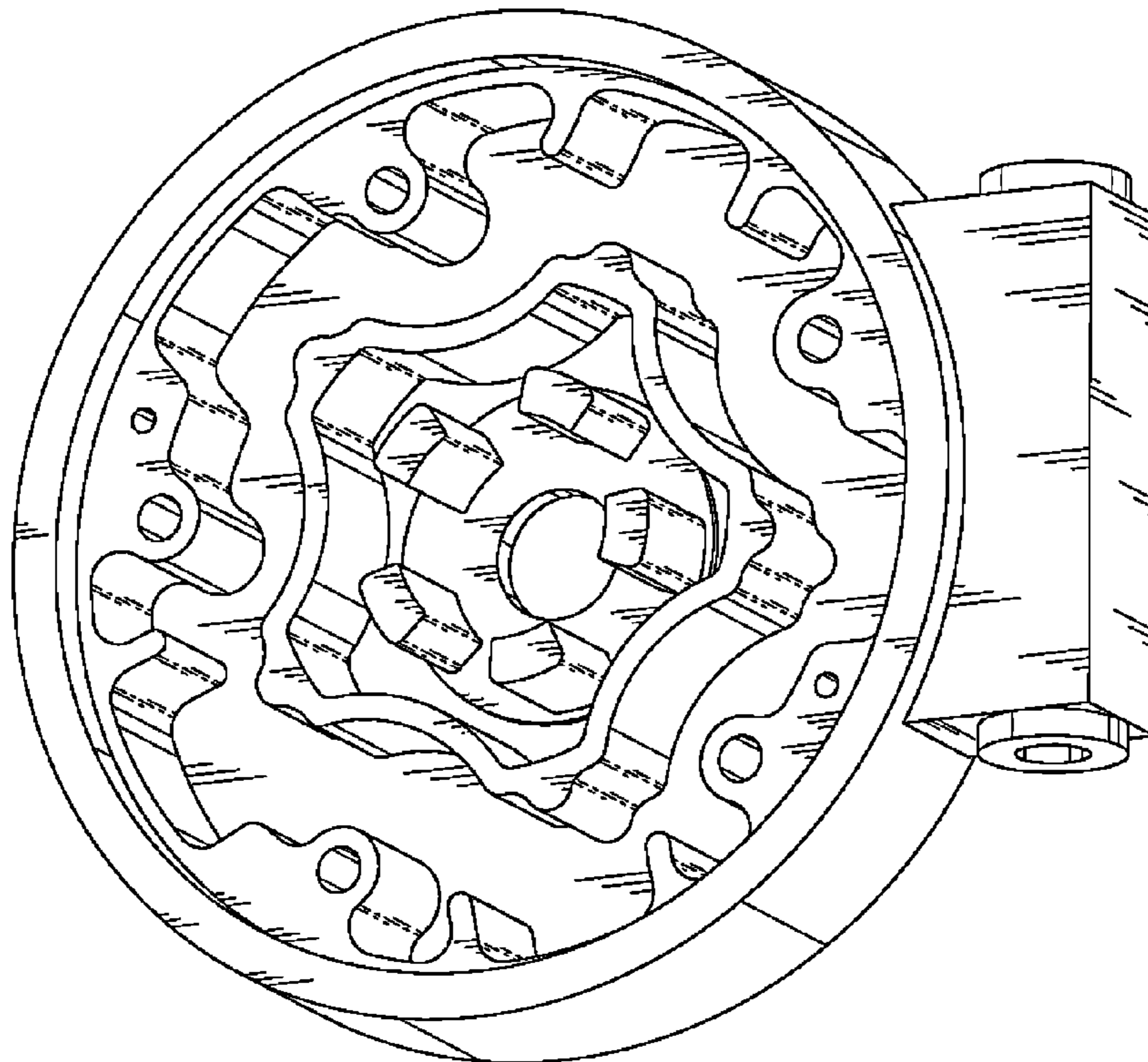


FIG. 8

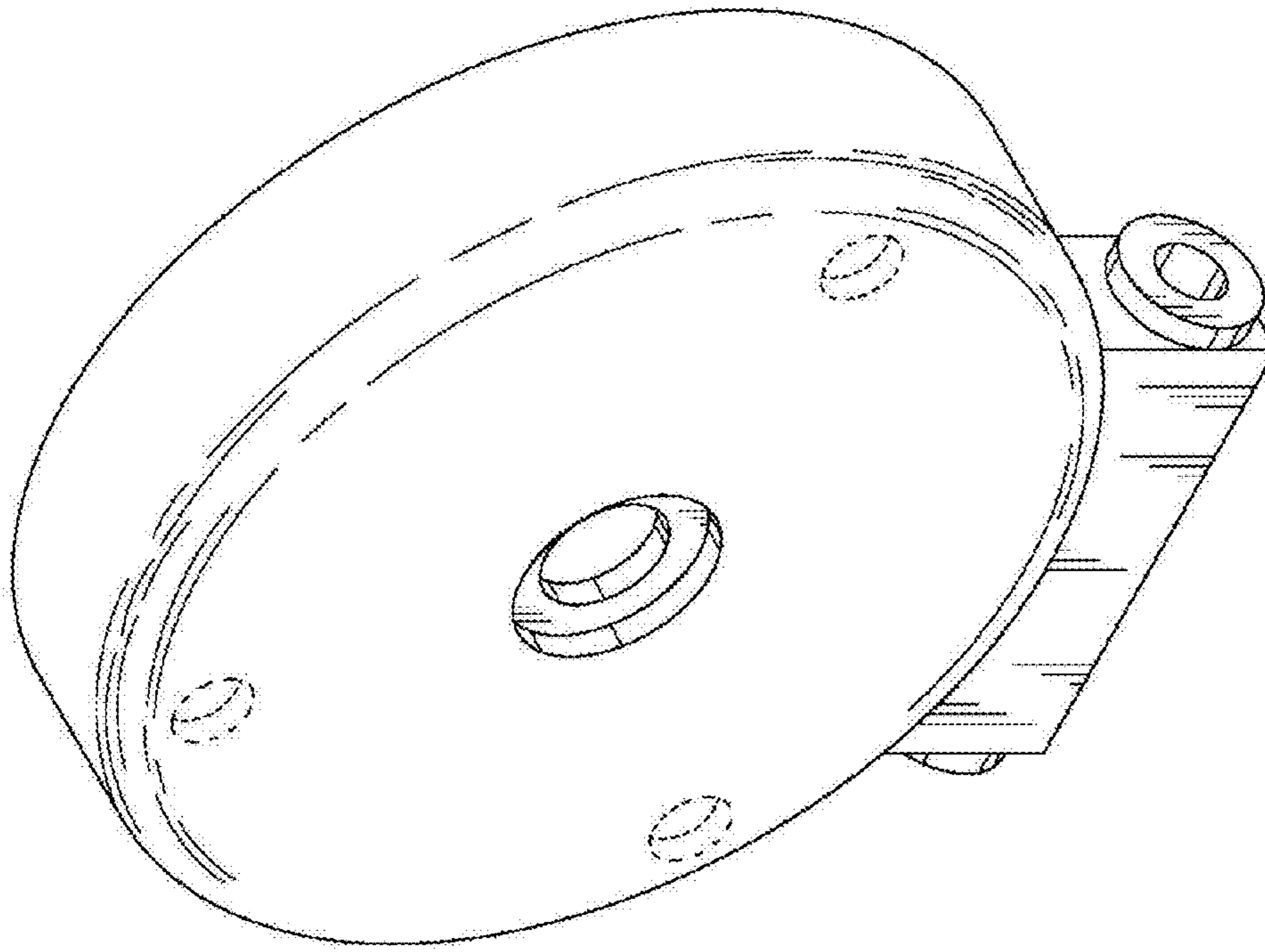


FIG. 11

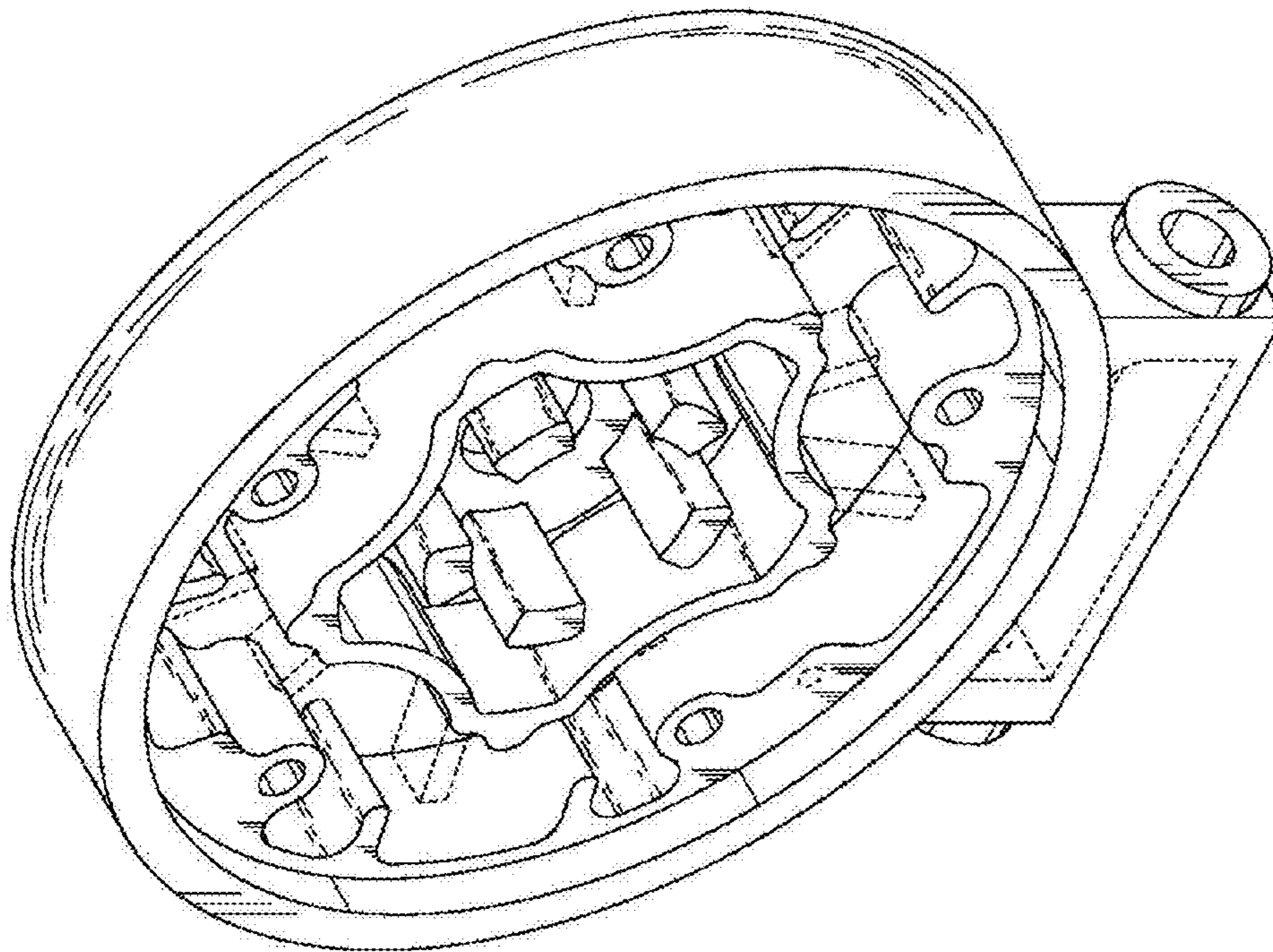


FIG. 10