



US00D678914S

(12) **United States Design Patent**
Chen

(10) **Patent No.:** **US D678,914 S**
(45) **Date of Patent:** **** Mar. 26, 2013**

(54) **AIR COMPRESSOR CYLINDER HOUSING**

(76) Inventor: **Chun Lan Chen**, Xingling (CN)

(**) Term: **14 Years**

(21) Appl. No.: **29/395,639**

(22) Filed: **Mar. 2, 2012**

(51) **LOC (9) Cl.** **15-02**

(52) **U.S. Cl.** **D15/9**

(58) **Field of Classification Search** D15/7-9;
D23/231, 232, 225; 417/60, 235, 265, 321,
417/355, 358, 363, 359, 410.1, 415-416,
417/405, 900; 60/408, 412; 184/26-37;
415/140-147; 123/495, 509

See application file for complete search history.

(56) **References Cited**

U.S. PATENT DOCUMENTS

D461,195 S *	8/2002	Kudou et al.	D15/9
D506,763 S *	6/2005	Chu	D15/9
D530,345 S *	10/2006	Chu	D15/9
D532,020 S *	11/2006	Chu	D15/9
D540,351 S *	4/2007	Chu	D15/9
D541,820 S *	5/2007	Chu	D15/9
D541,821 S *	5/2007	Chu	D15/9
D589,063 S *	3/2009	Chu	D15/9
D648,748 S *	11/2011	Chu	D15/9
D659,168 S *	5/2012	Chen	D15/9
D659,169 S *	5/2012	Chen	D15/9
D659,170 S *	5/2012	Chen	D15/9

D659,171 S * 5/2012 Chen D15/9

* cited by examiner

Primary Examiner — Ralf Seifert

(74) *Attorney, Agent, or Firm* — Charles E. Baxley

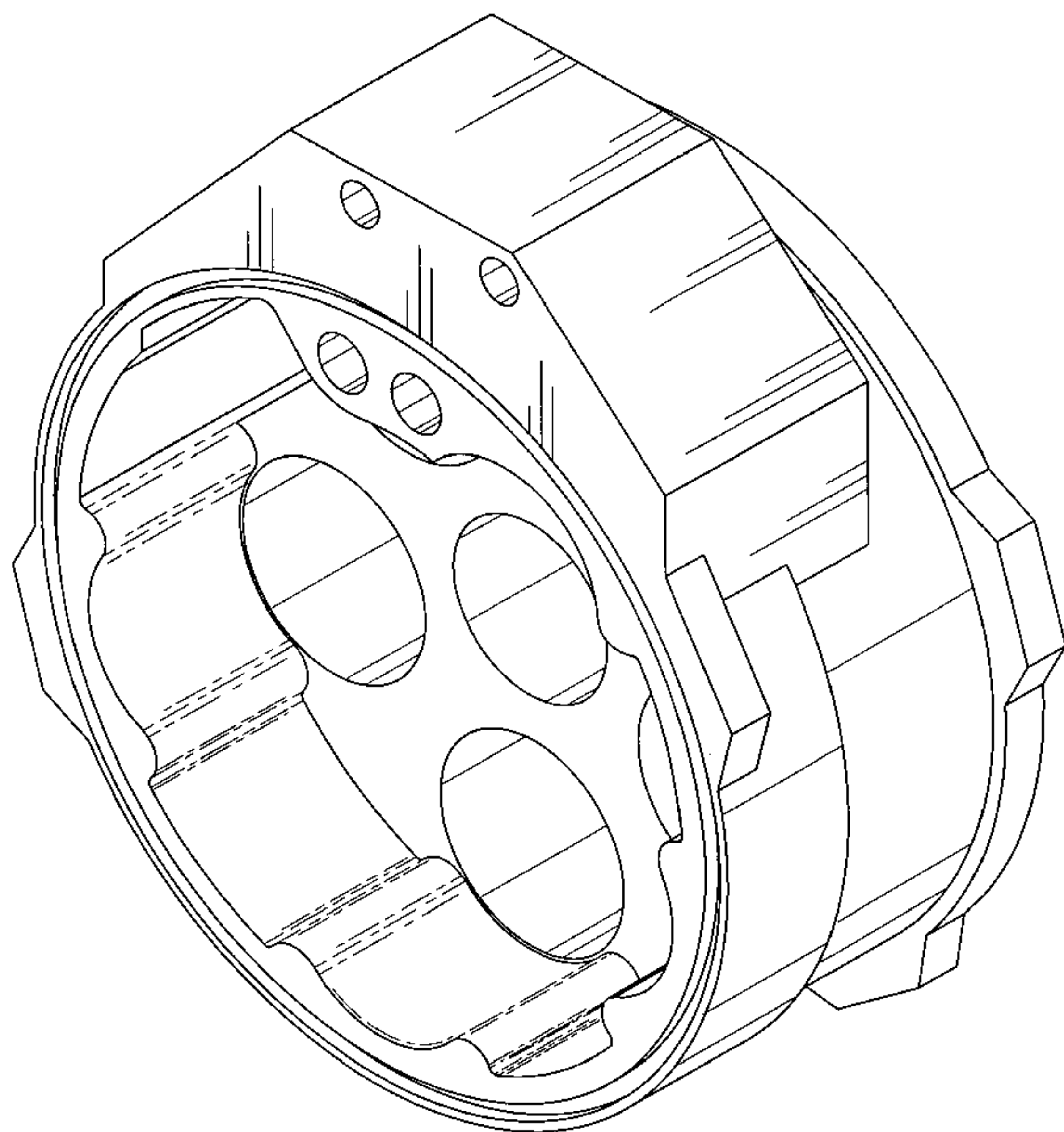
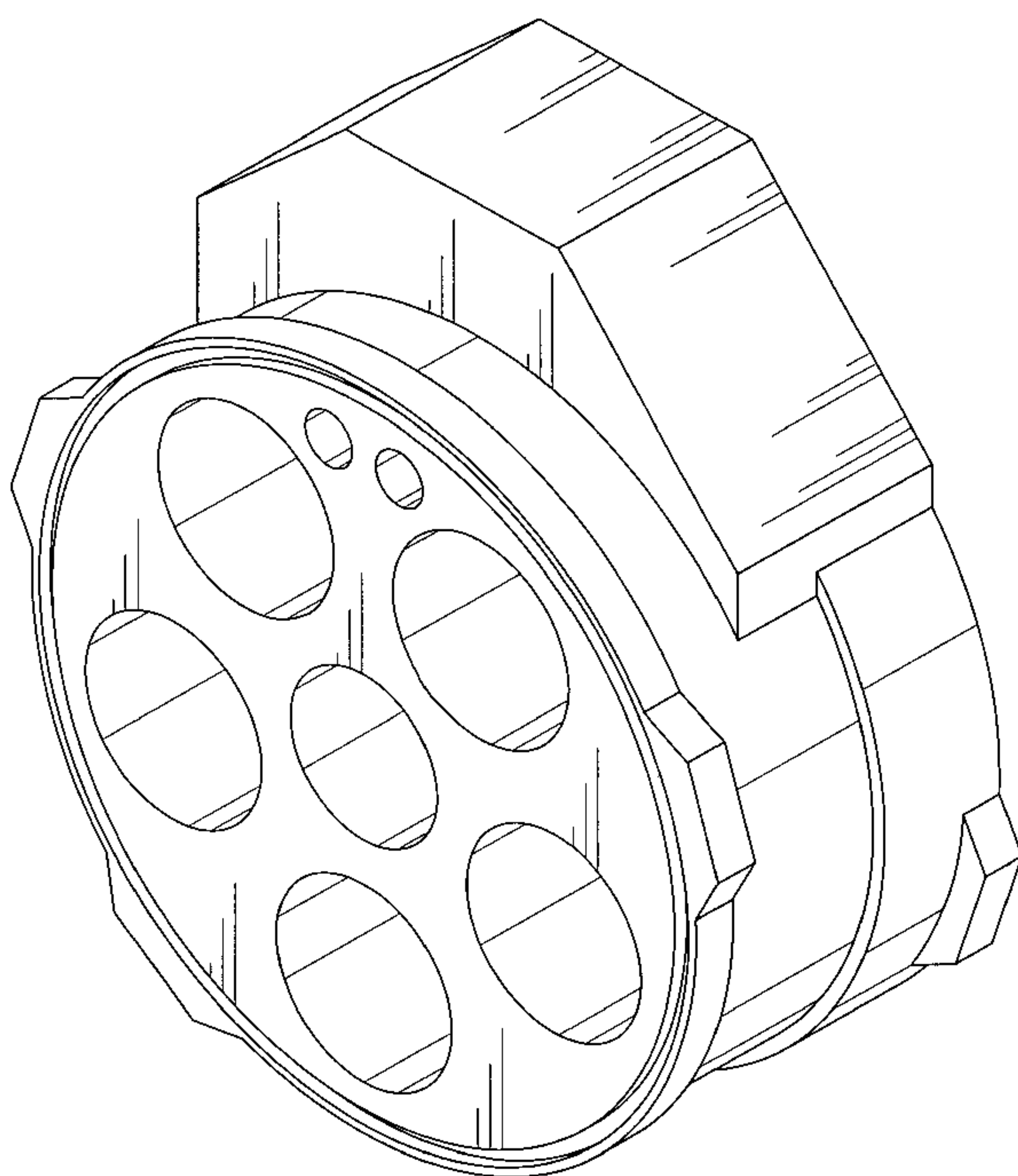
(57) **CLAIM**

The ornamental design for an air compressor cylinder housing, as shown and described.

DESCRIPTION

FIG. 1 is a front perspective view of an air compressor cylinder housing showing my new design; FIG. 2 is a front elevational view thereof; FIG. 3 is a rear elevational view thereof; FIG. 4 is a top plan view thereof; FIG. 5 is a bottom plan view thereof; FIG. 6 is a left side elevational view thereof; FIG. 7 is a right side elevational view thereof; and FIG. 8 is a rear perspective view thereof; FIG. 9 is a front perspective view thereof, the openings and the depressions and the notches depicted by means of broken lines being for illustrative purposes only and forming no part of the claimed design; and, FIG. 10 is a rear perspective view thereof, the openings and the depressions and the notches and the protrusion depicted by means of broken lines being for illustrative purposes only and forming no part of the claimed design.

1 Claim, 9 Drawing Sheets



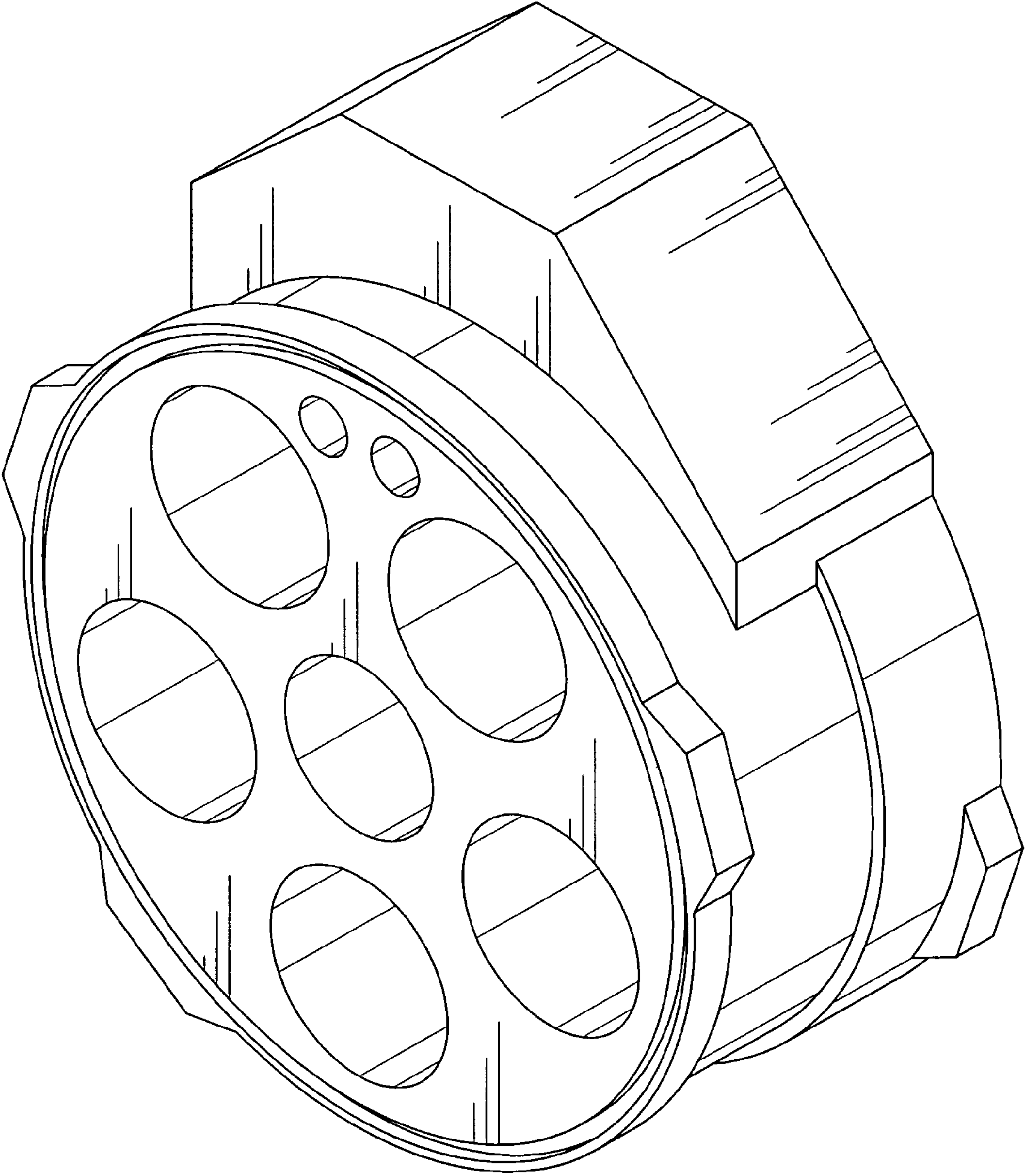


FIG. 1

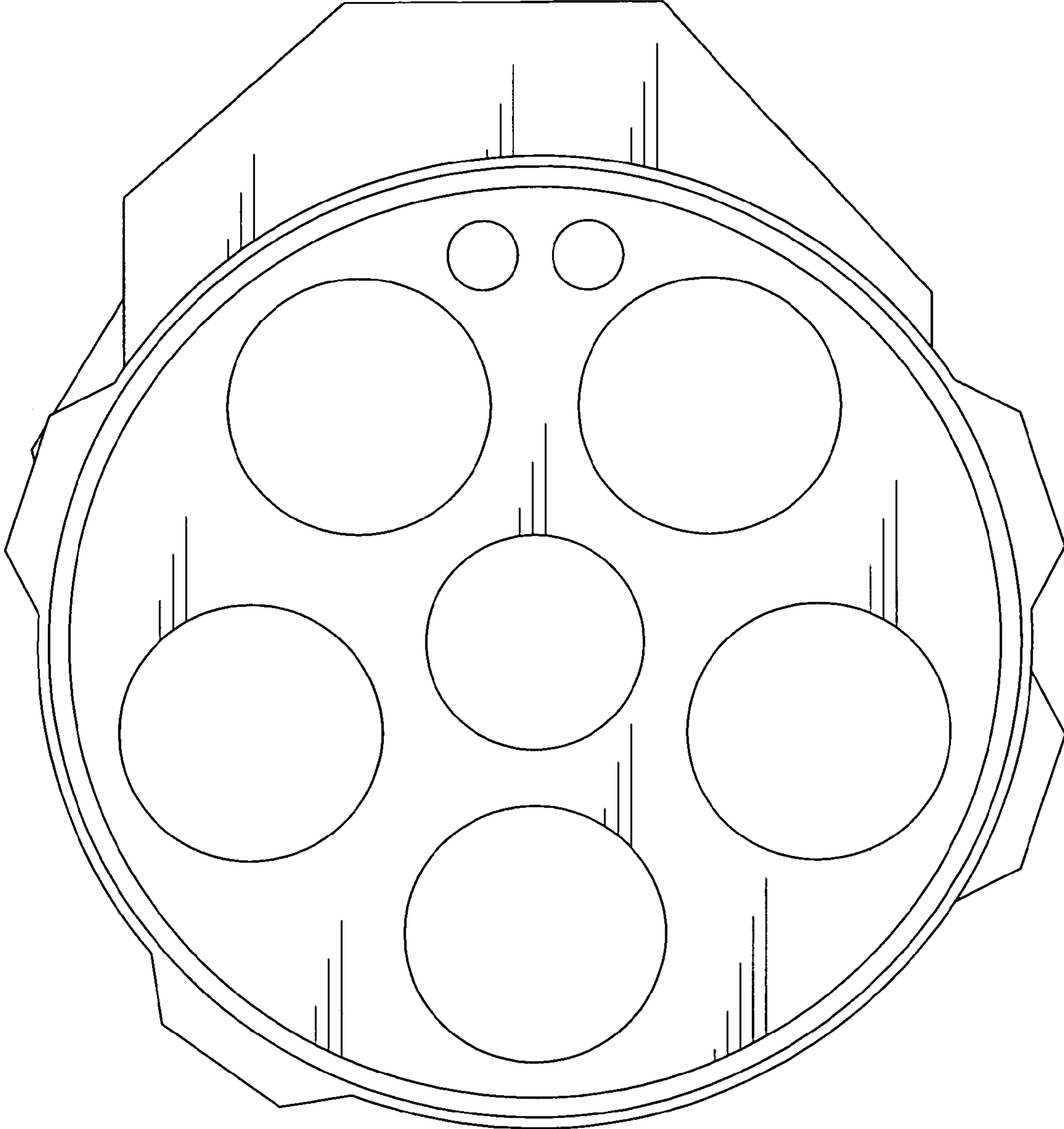


FIG. 2

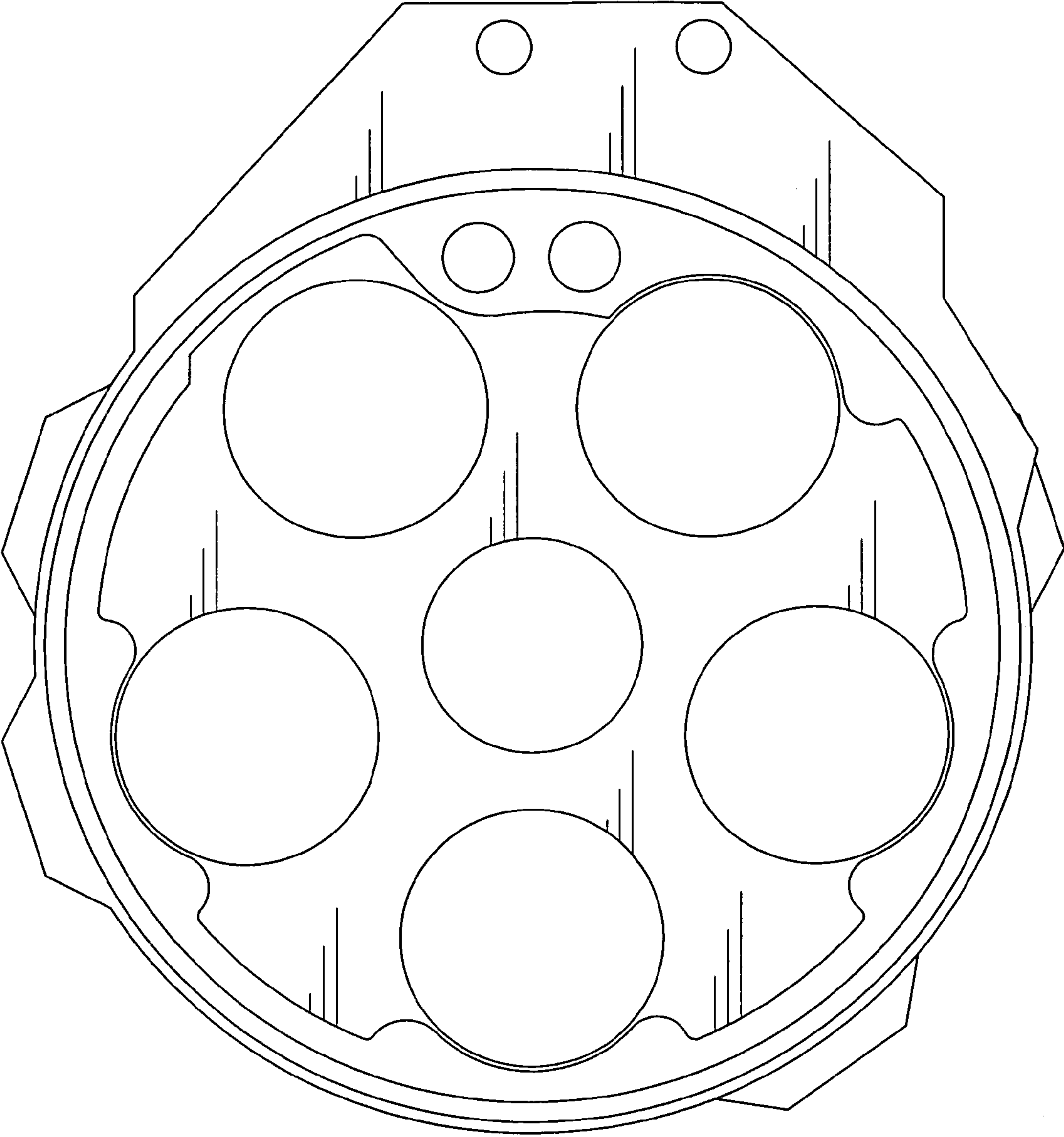


FIG. 3

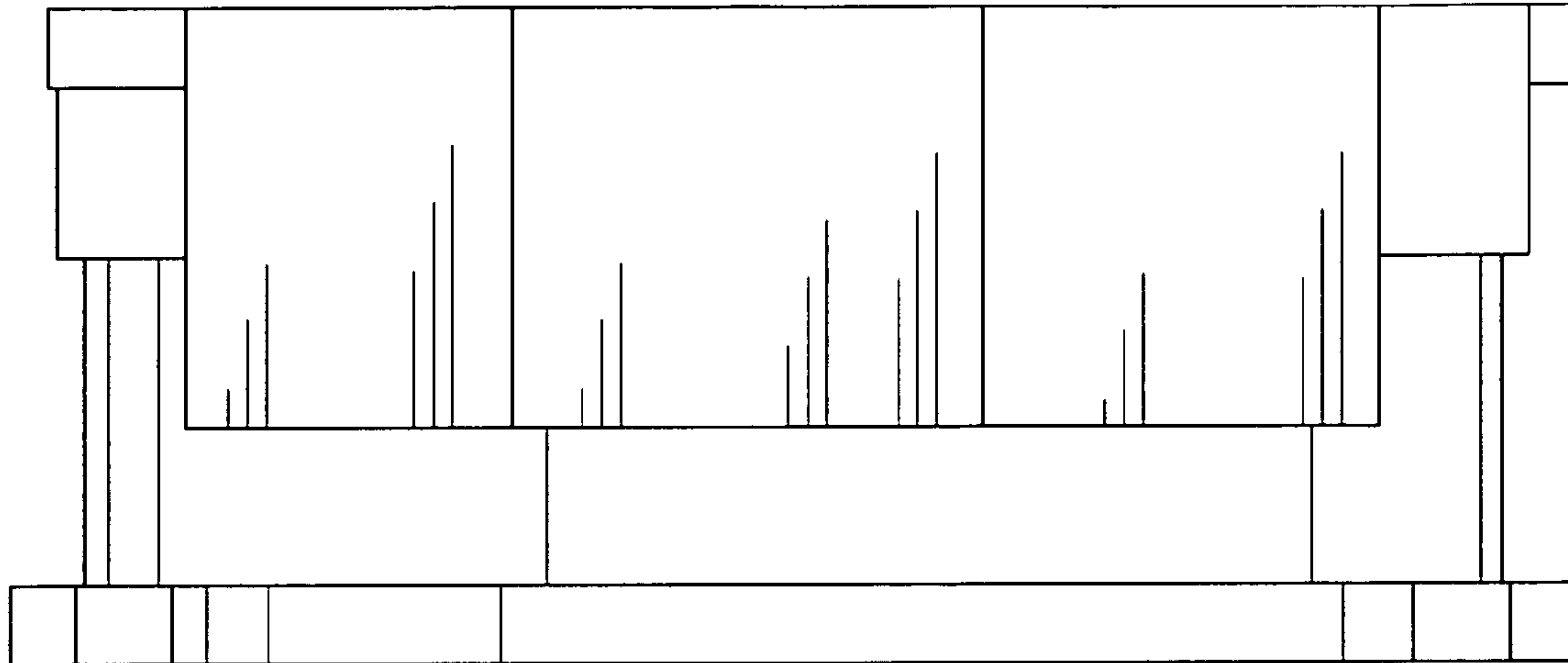


FIG. 4

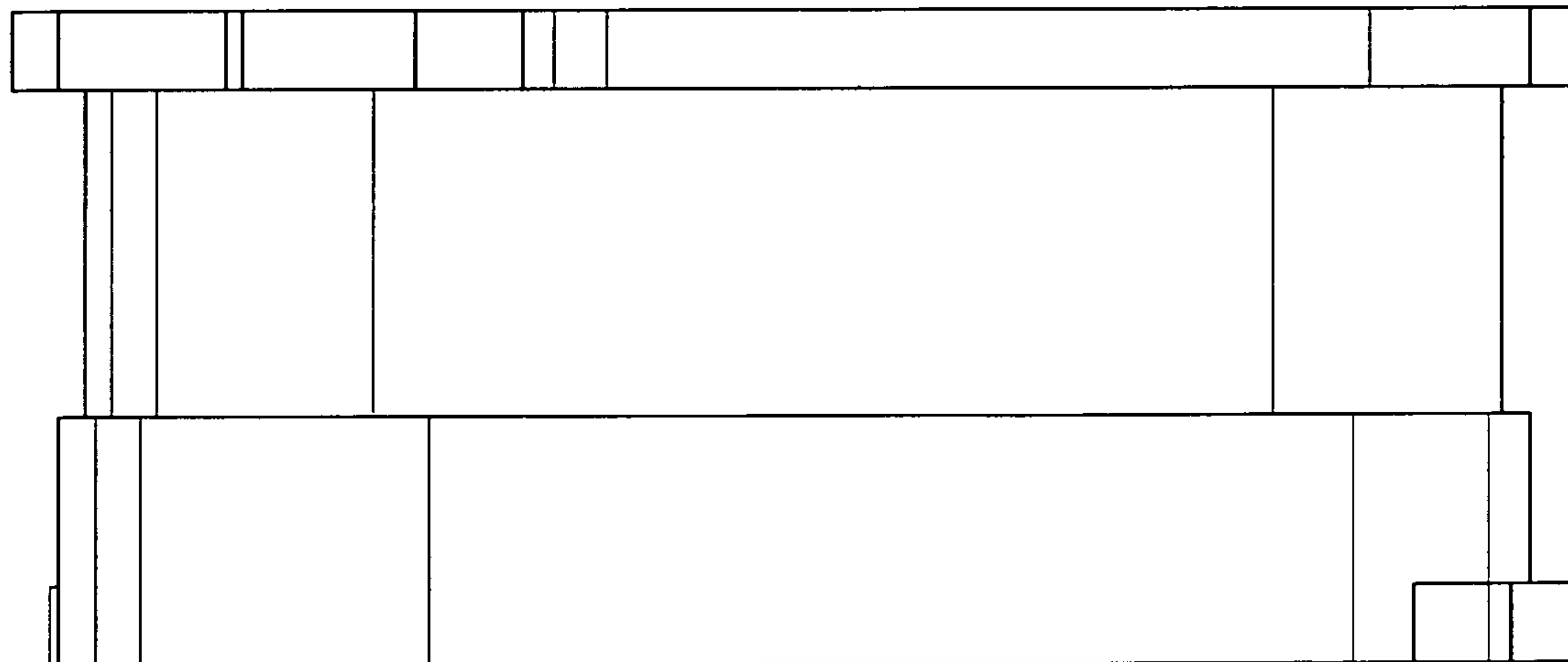


FIG. 5

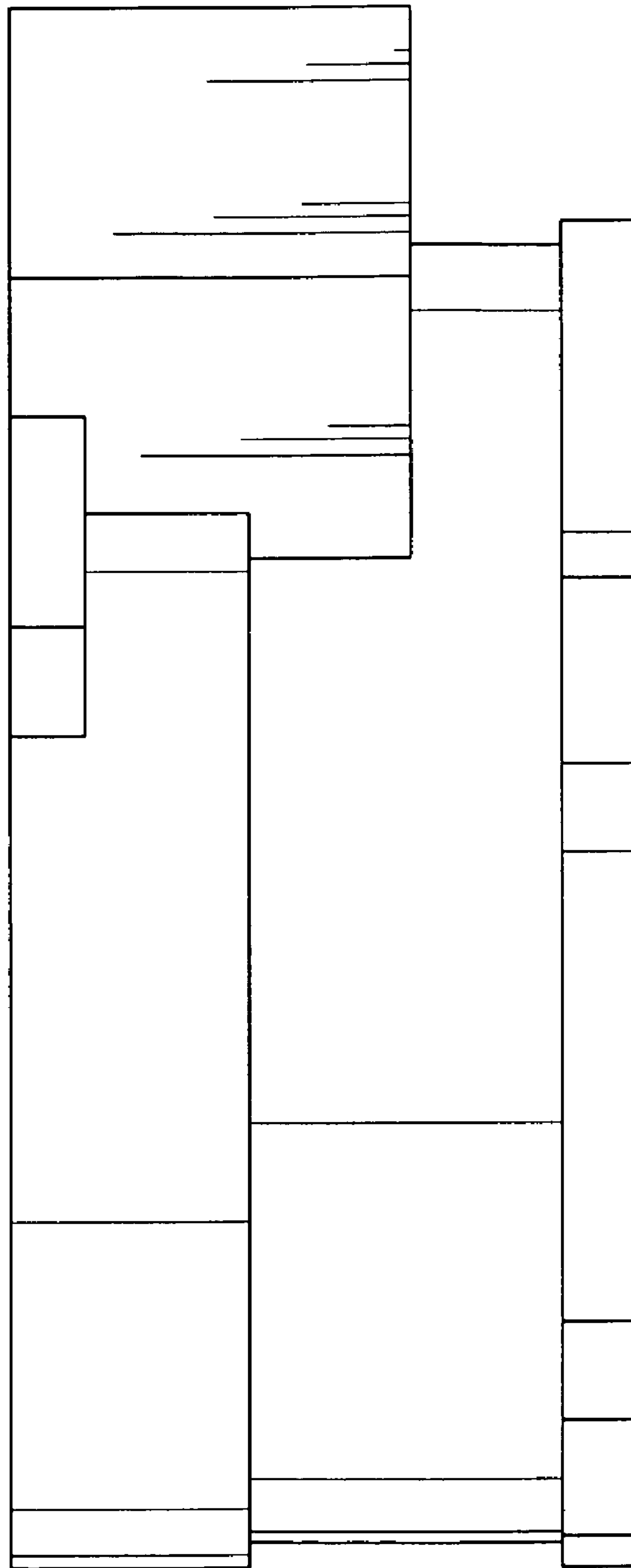


FIG. 6

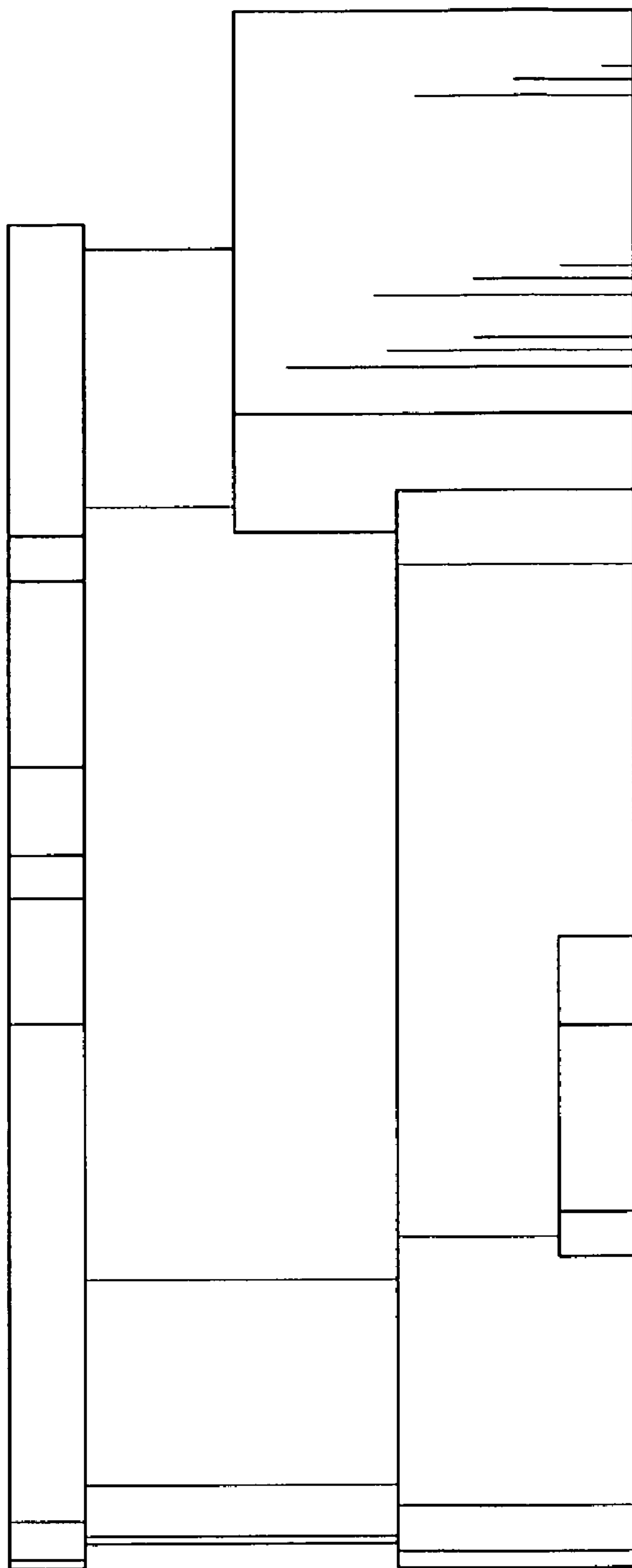


FIG. 7

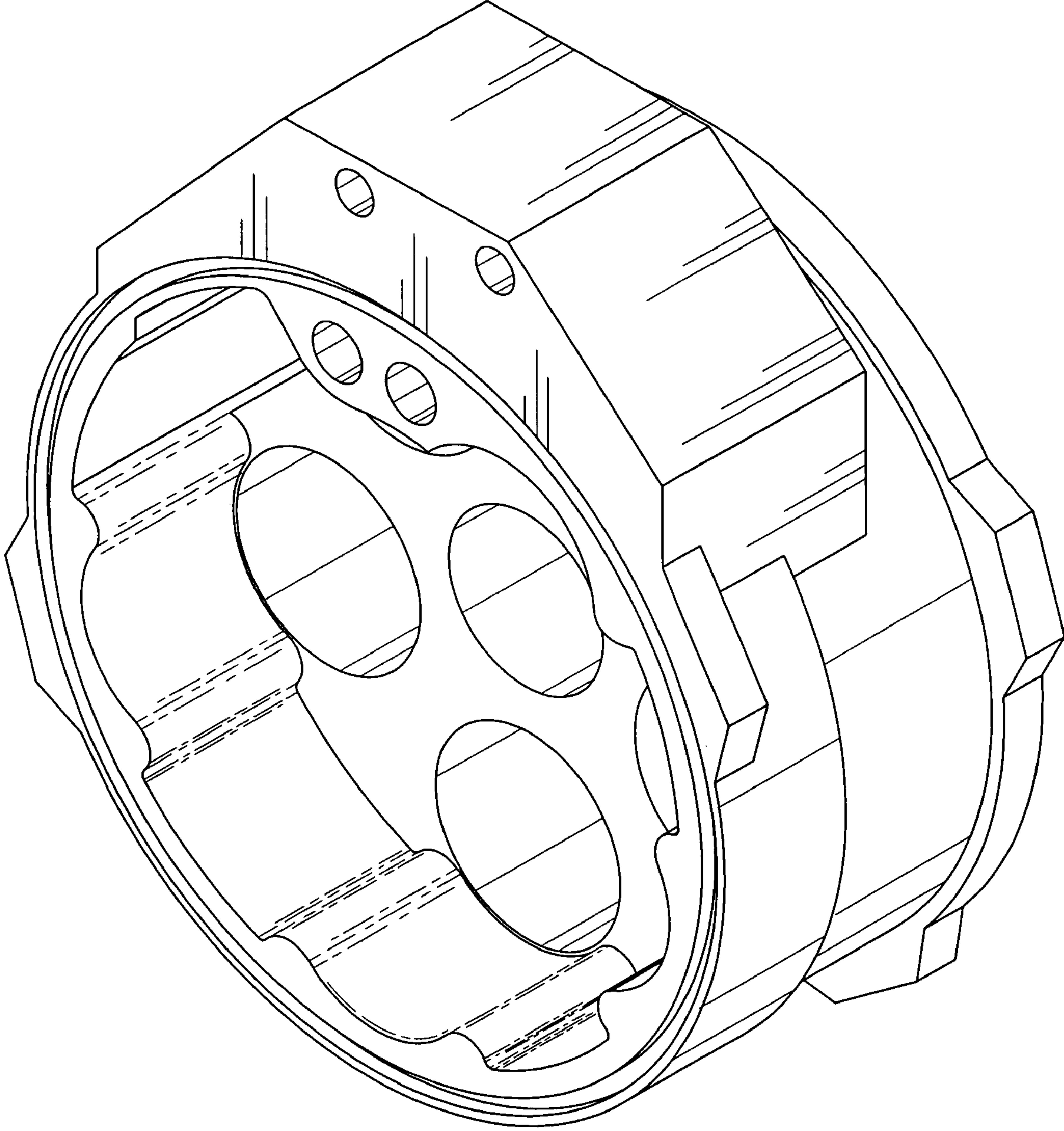


FIG. 8

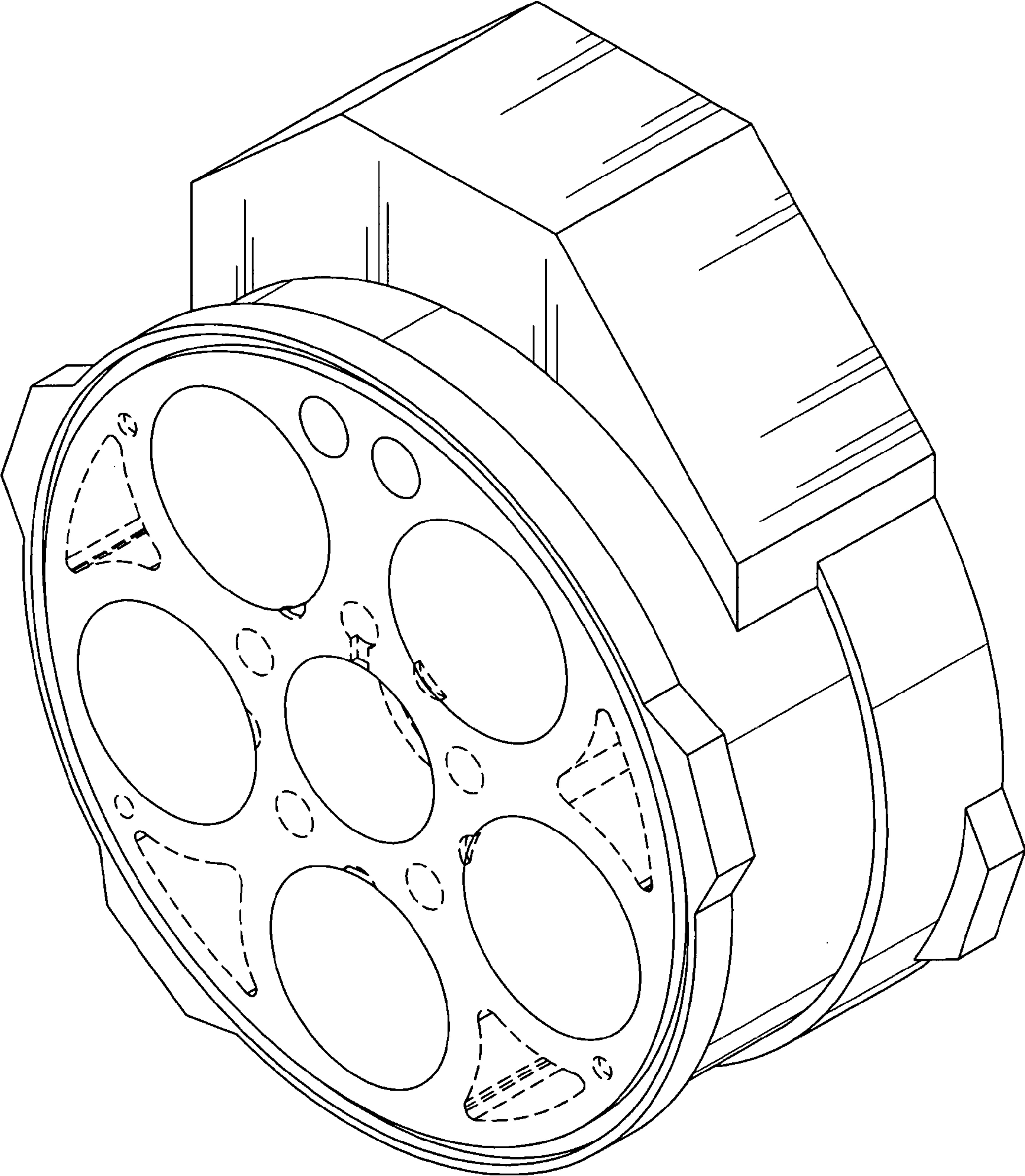


FIG. 9

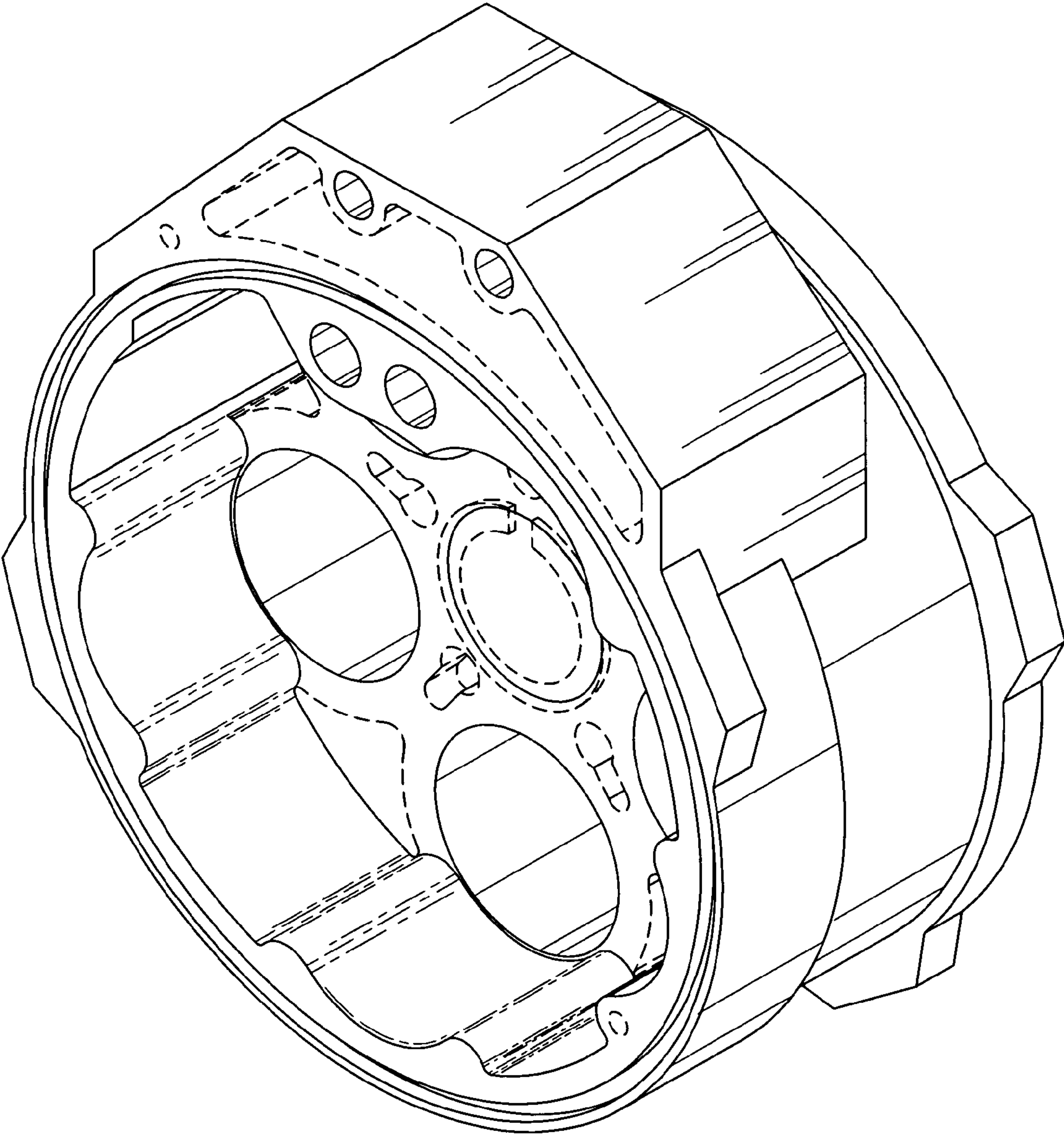


FIG. 10