



US00D678913S

(12) **United States Design Patent**
Chu

(10) **Patent No.:** **US D678,913 S**
(45) **Date of Patent:** **** Mar. 26, 2013**

- (54) **CAP FOR AIR COMPRESSOR**
- (76) Inventor: **Henry C. Chu**, Orange, CA (US)
- (**) Term: **14 Years**
- (21) Appl. No.: **29/395,632**
- (22) Filed: **Mar. 2, 2012**
- (51) **LOC (9) Cl.** **15-02**
- (52) **U.S. Cl.** **D15/9**
- (58) **Field of Classification Search** D15/7-9;
D23/231, 232, 225; 417/60, 235, 265, 321,
417/355, 358, 363, 359, 410.1, 415-416,
417/405, 900; 60/408, 412; 184/26-37;
415/140-147; 123/495, 509
See application file for complete search history.

D603,875 S *	11/2009	Chu	D15/9
D617,349 S *	6/2010	Chu	D15/9
D647,925 S *	11/2011	Chu	D15/9
D648,749 S *	11/2011	Chu	D15/9
D648,751 S *	11/2011	Chu	D15/9
D648,752 S *	11/2011	Chu	D15/9
D648,753 S *	11/2011	Chu	D15/9
D656,963 S *	4/2012	Nam	D15/7
D666,218 S *	8/2012	Chu	D15/9
D666,219 S *	8/2012	Chu	D15/9

* cited by examiner

Primary Examiner — Ralf Seifert

(74) *Attorney, Agent, or Firm* — Charles E. Baxley

(57) **CLAIM**

The ornamental design for a cap for air compressor, as shown and described.

(56) **References Cited**

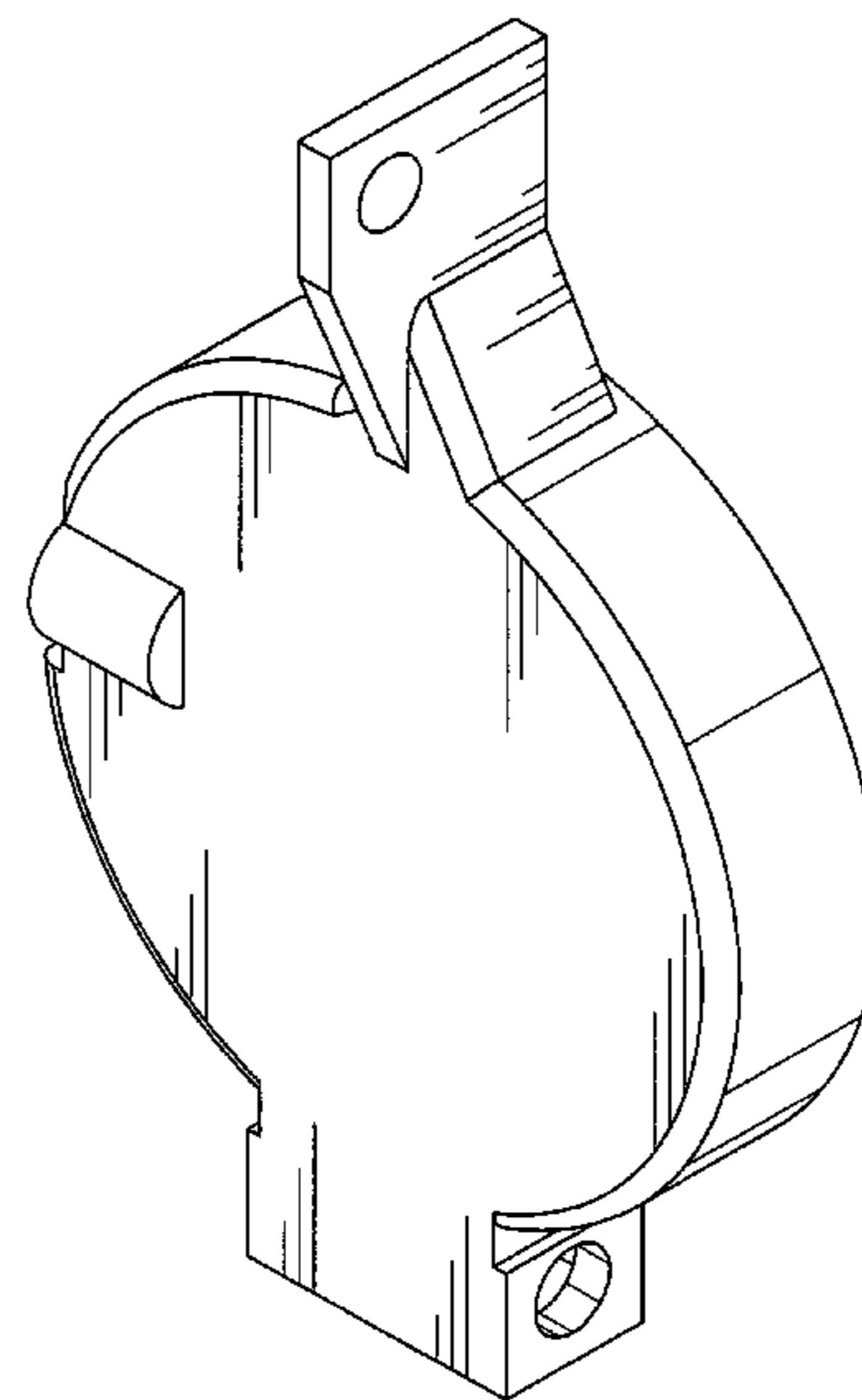
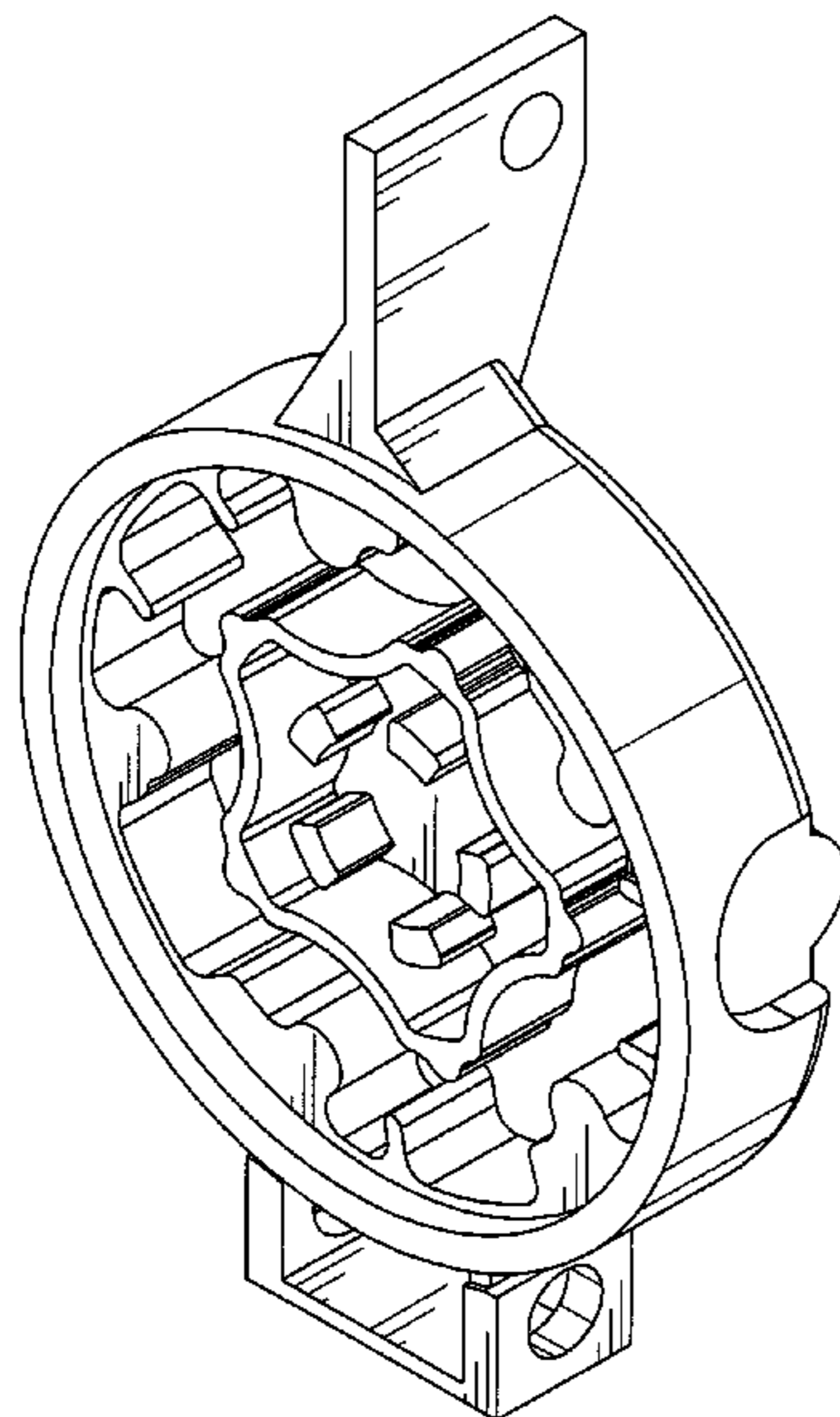
U.S. PATENT DOCUMENTS

D507,280 S *	7/2005	Chu et al.	D15/9
D529,050 S *	9/2006	Chu	D15/9
D529,927 S *	10/2006	Chu	D15/9
D529,928 S *	10/2006	Chu	D15/9
D529,930 S *	10/2006	Chu	D15/9
D533,881 S *	12/2006	Chu	D15/9
D554,666 S *	11/2007	Chu	D15/9
D554,667 S *	11/2007	Chu	D15/9
D555,174 S *	11/2007	Hwang	D15/9
D555,670 S *	11/2007	Hwang	D15/9
D556,783 S *	12/2007	Chu	D15/9
D557,287 S *	12/2007	Chu	D15/9
D574,854 S *	8/2008	Chu	D15/9
D574,855 S *	8/2008	Chu	D15/9
D575,306 S *	8/2008	Chu	D15/9
D575,307 S *	8/2008	Chu	D15/9
D575,802 S *	8/2008	Chu	D15/9
D589,064 S *	3/2009	Chu	D15/9
D589,534 S *	3/2009	Chu	D15/9
D603,873 S *	11/2009	Chu	D15/9
D603,874 S *	11/2009	Chu	D15/9

DESCRIPTION

FIG. 1 is a front perspective view of a cap for air compressor showing my new design;
 FIG. 2 is a front elevational view thereof;
 FIG. 3 is a rear elevational view thereof;
 FIG. 4 is a top plan view thereof;
 FIG. 5 is a bottom plan view thereof;
 FIG. 6 is a left side elevational view thereof;
 FIG. 7 is a right side elevational view thereof;
 FIG. 8 is a rear perspective view thereof;
 FIG. 9 is a front perspective view thereof, the opening and the depressions and the ribs depicted by means of broken lines being for illustrative purposes only and forming no part of the claimed design; and,
 FIG. 10 is a rear perspective view thereof, the opening and the peripheral protrusions and the bulges depicted by means of broken lines being for illustrative purposes only and forming no part of the claimed design.

1 Claim, 9 Drawing Sheets



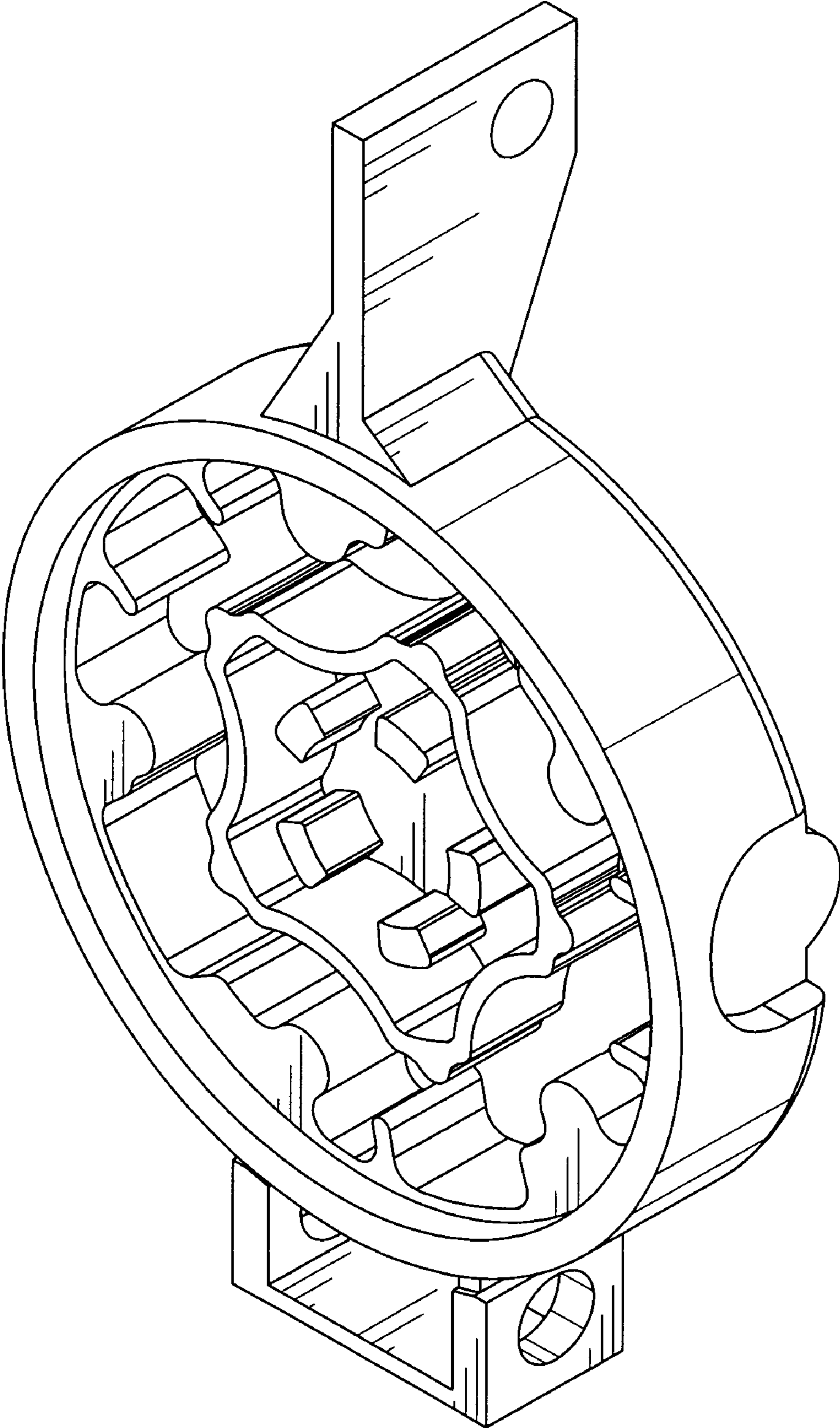


FIG. 1

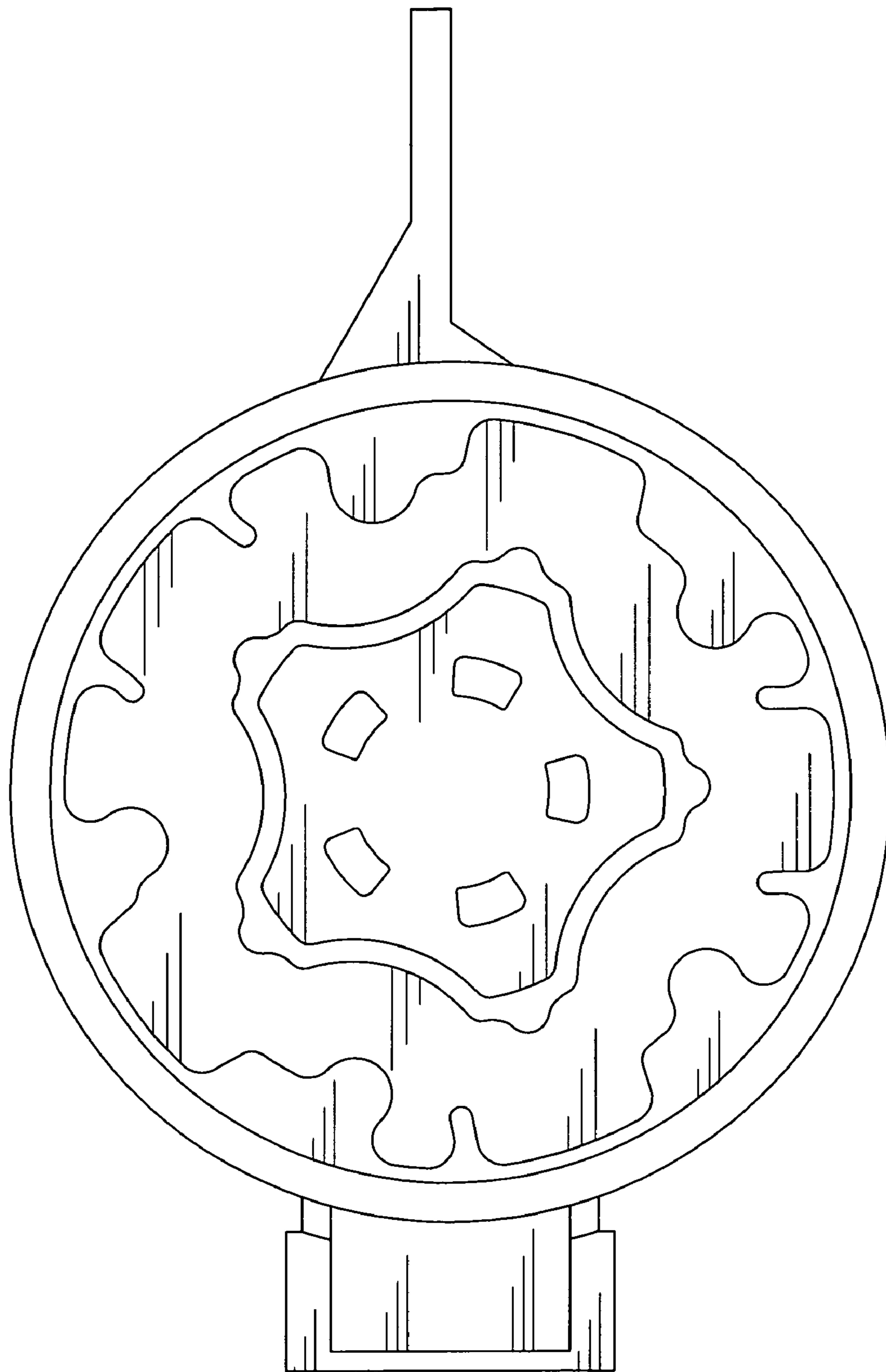


FIG. 2

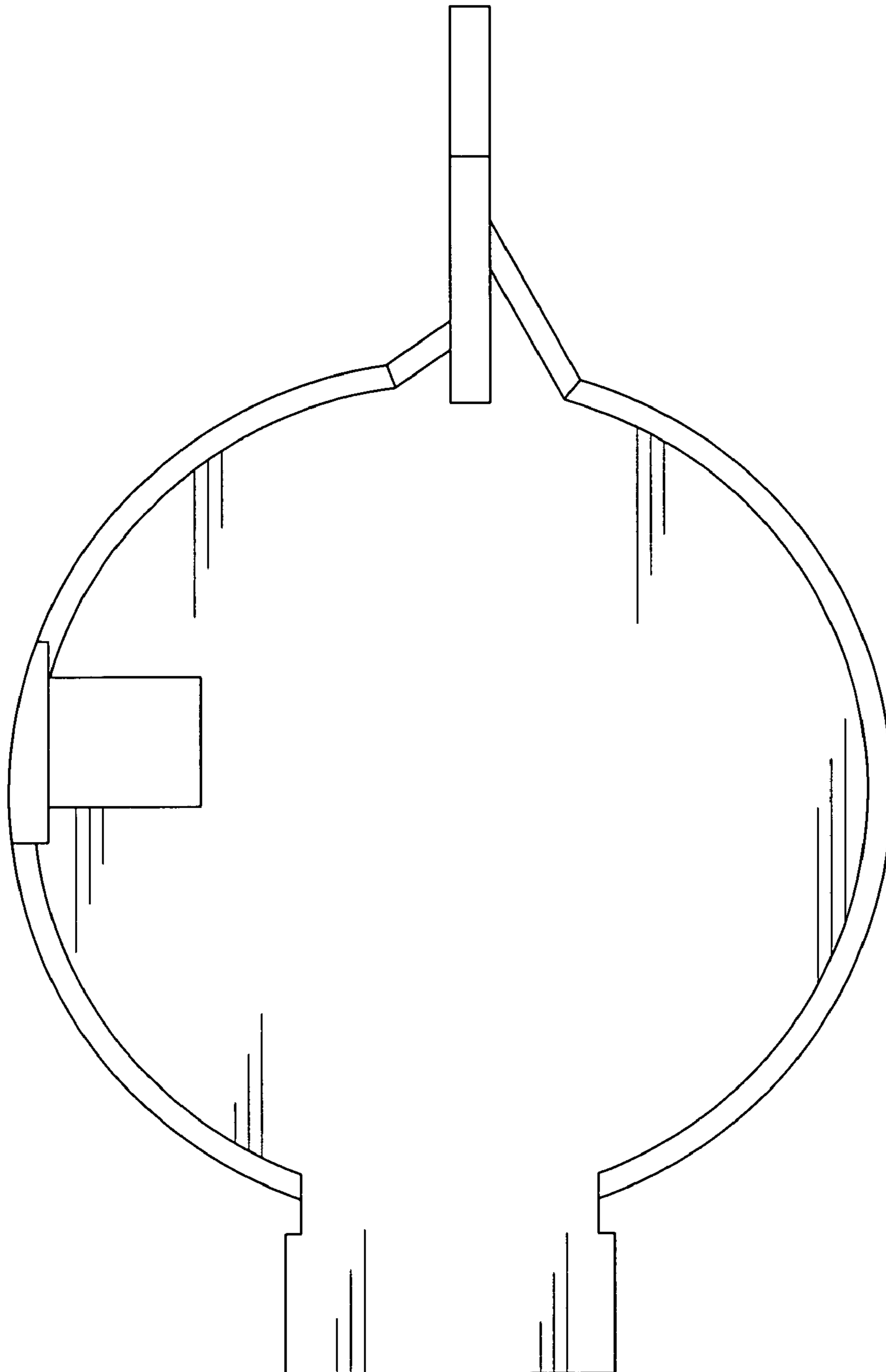


FIG. 3

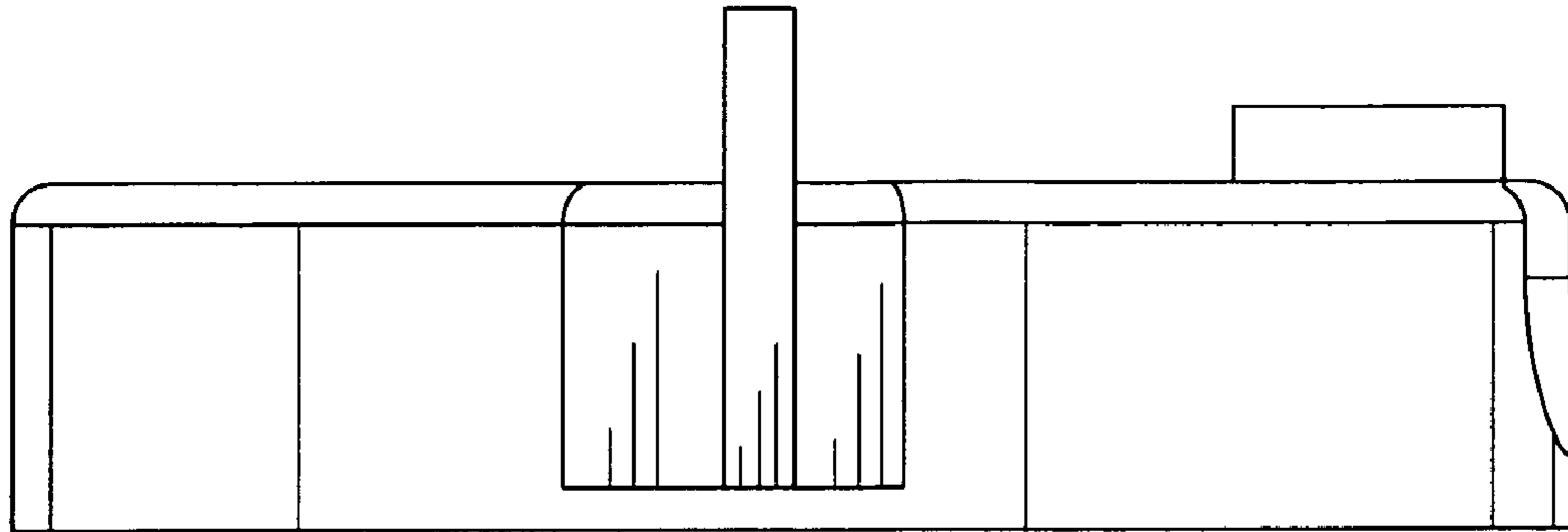


FIG. 4

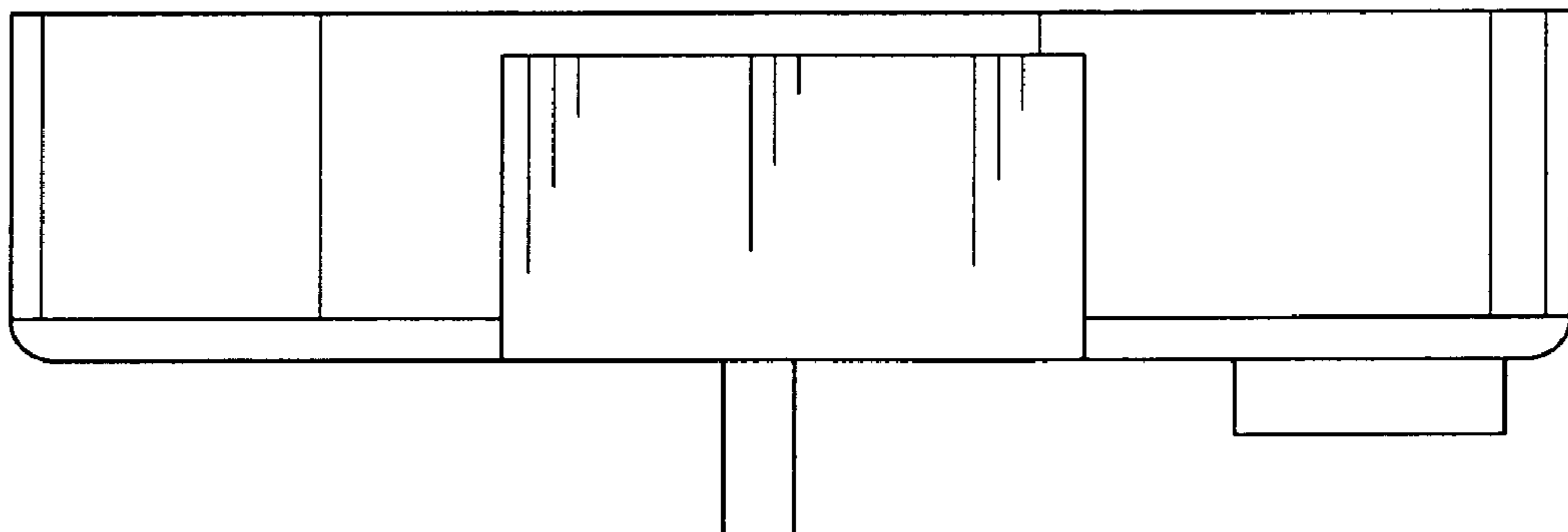


FIG. 5

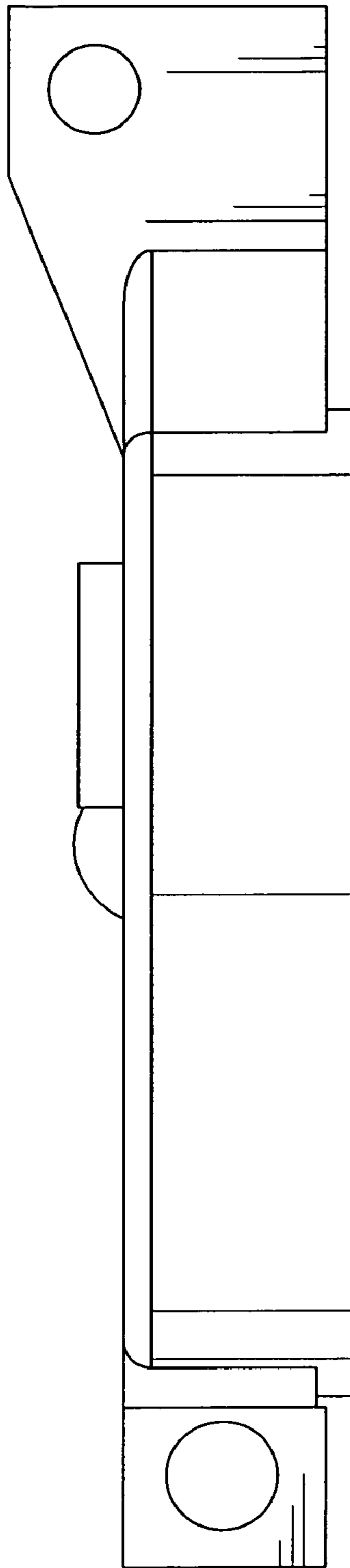


FIG. 6

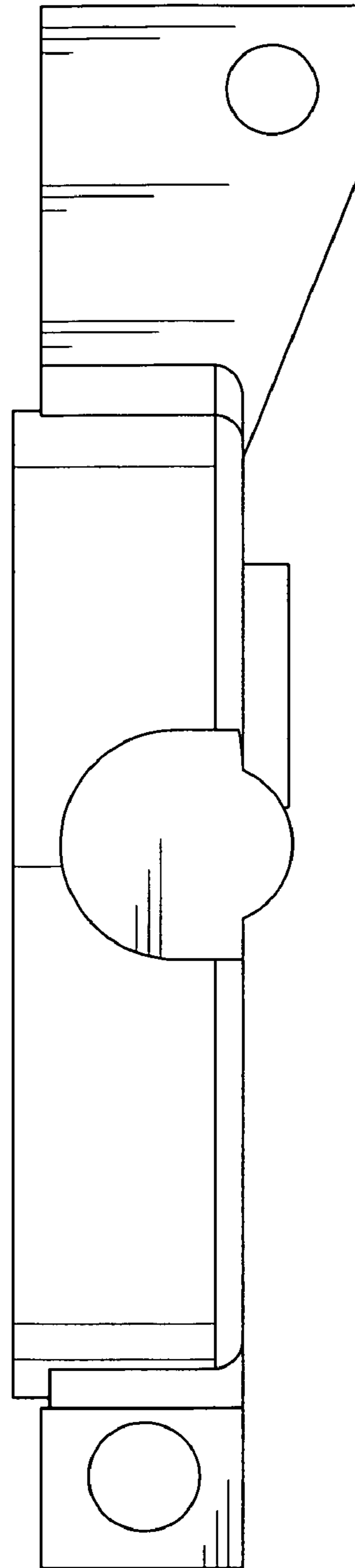


FIG. 7

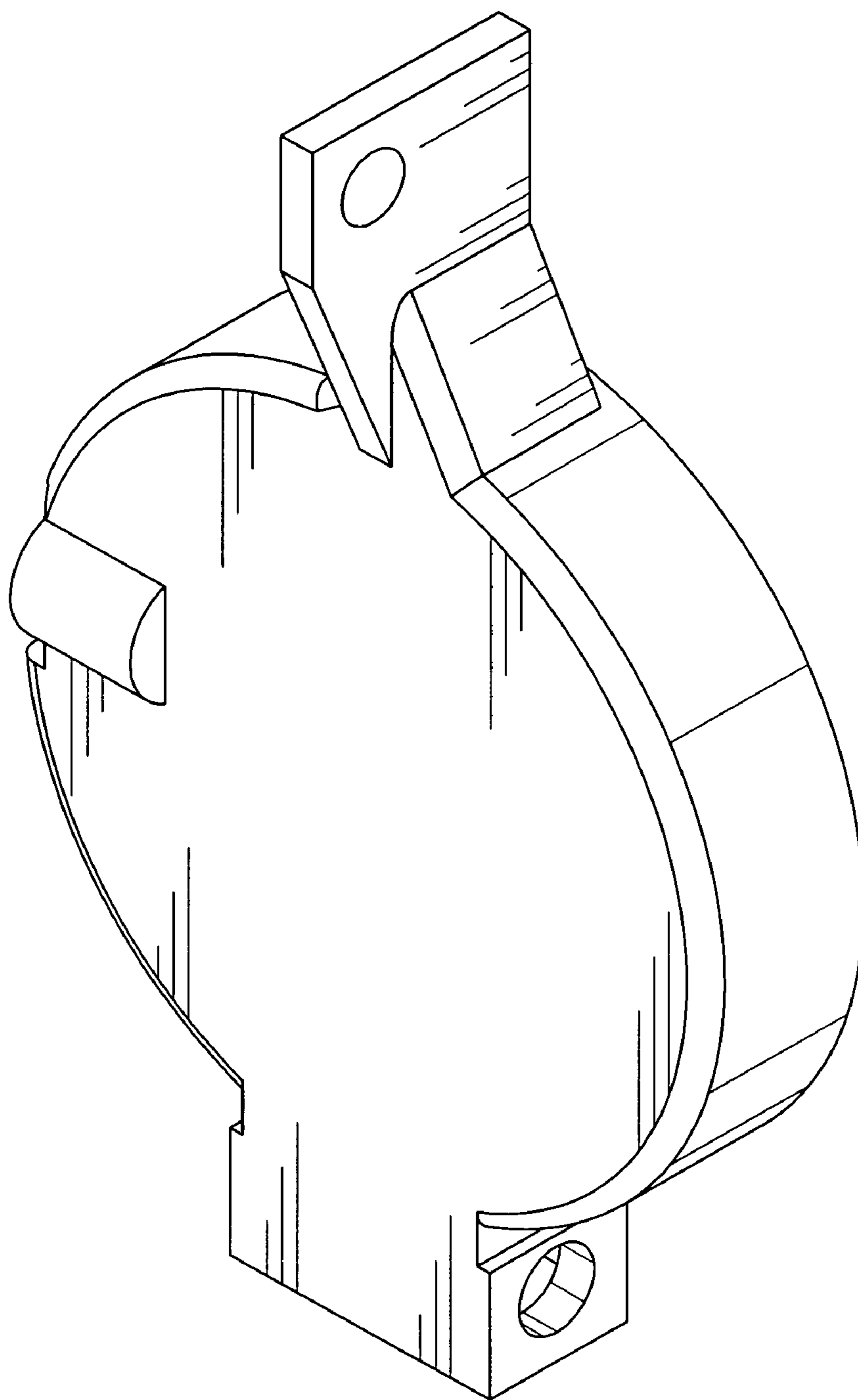


FIG. 8

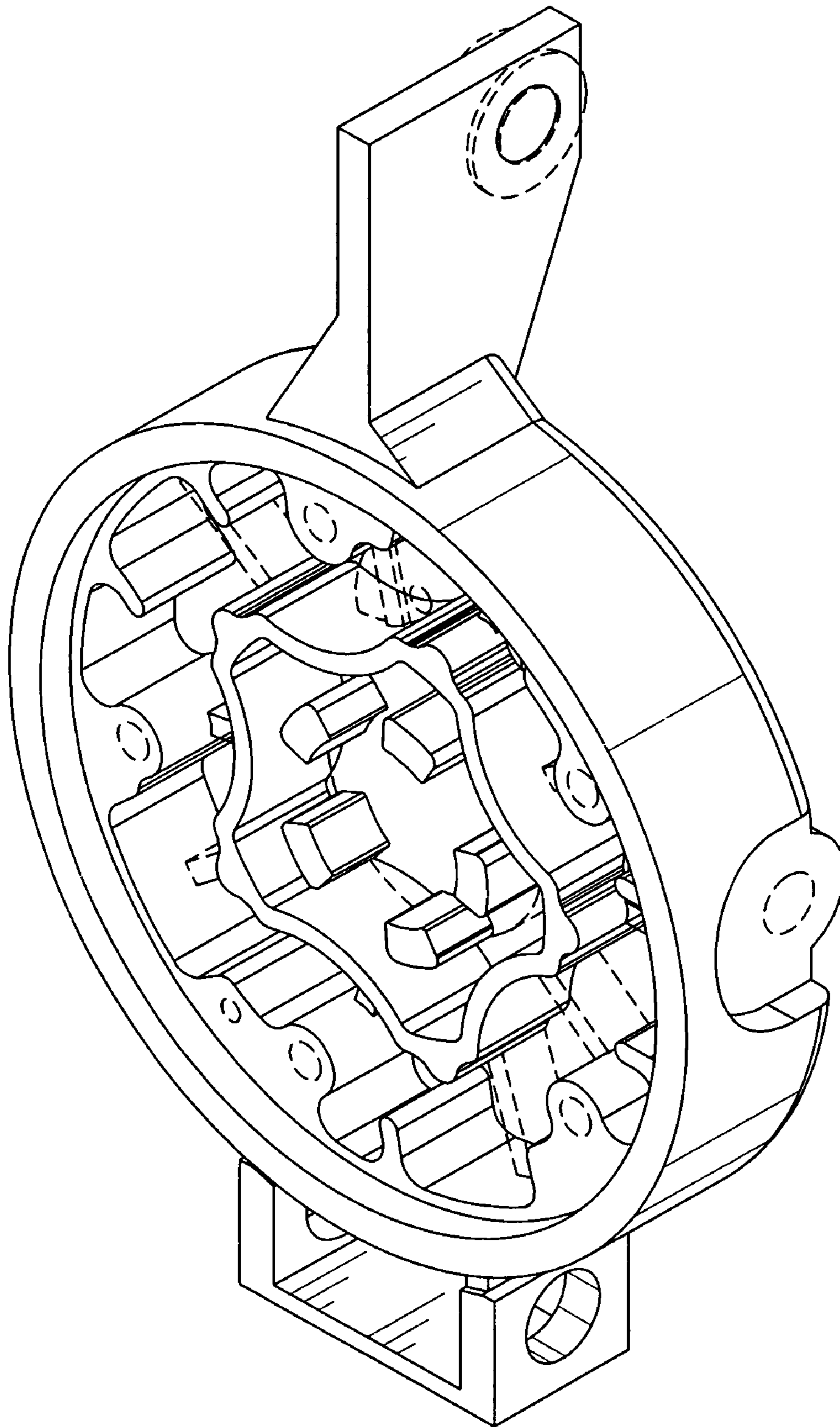


FIG. 9

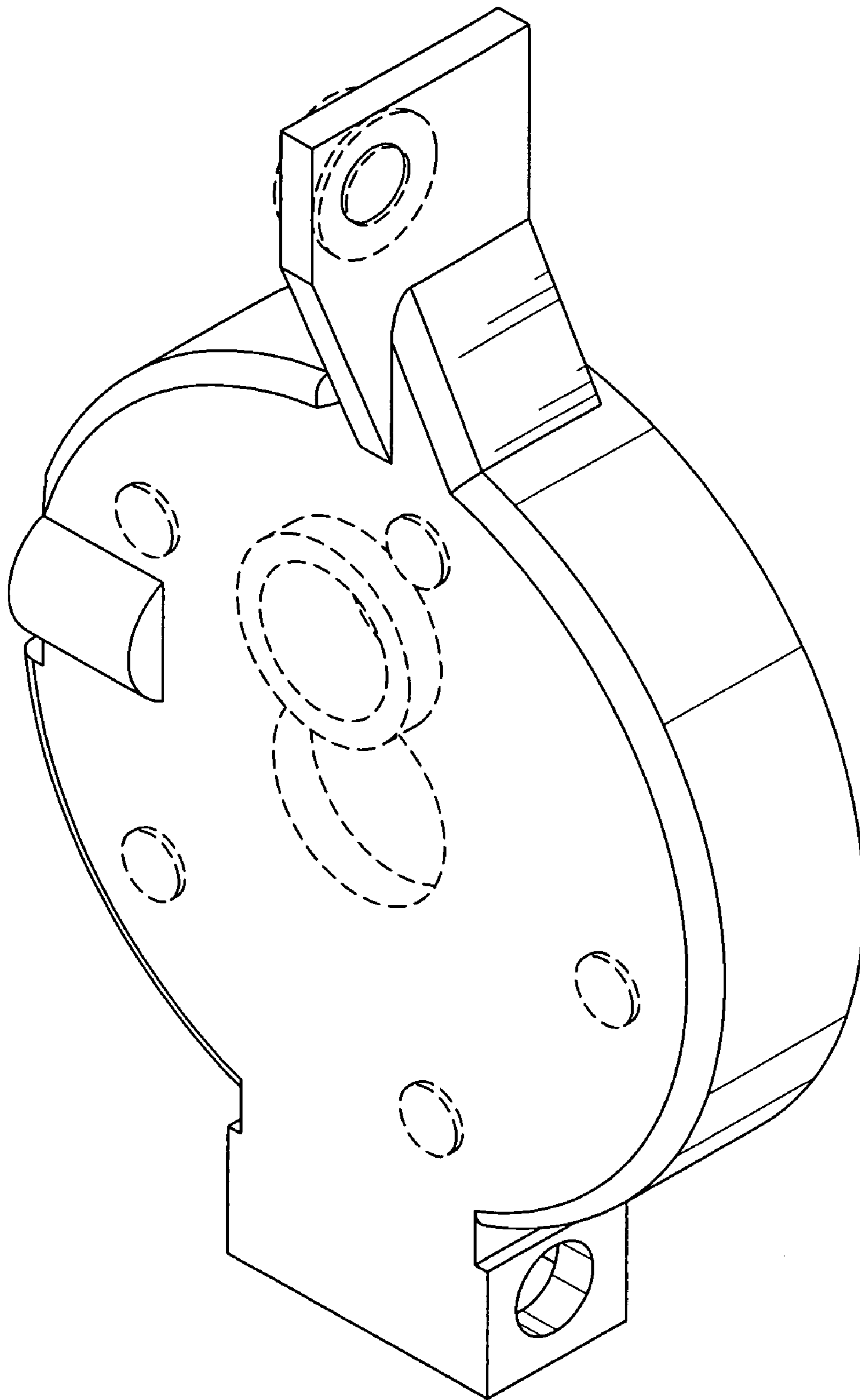


FIG. 10