



US00D678912S

(12) **United States Design Patent**
Abe et al.

(10) **Patent No.:** **US D678,912 S**
(45) **Date of Patent:** **** Mar. 26, 2013**

(54) **RODLESS CYLINDER**

D655,314 S 3/2012 Yoshimura et al.
D660,191 S * 5/2012 Asaba D10/85
D670,741 S * 11/2012 Abe et al. D15/7

(75) Inventors: **Takashi Abe**, Moriya (JP); **Soichi Sato**,
Kashiwa (JP)

FOREIGN PATENT DOCUMENTS

(73) Assignee: **SMC Kabushiki Kaisha**, Tokyo (JP)

JP D1147598 7/2002

(**) Term: **14 Years**

* cited by examiner

(21) Appl. No.: **29/432,425**

Primary Examiner — Ralf Seifert

(22) Filed: **Sep. 14, 2012**

(74) *Attorney, Agent, or Firm* — Holtz, Holtz, Goodman &
Chick, PC

Related U.S. Application Data

(62) Division of application No. 29/410,019, filed on Jan. 3,
2012, now Pat. No. Des. 670,741.

(57) **CLAIM**

The ornamental design for a rodless cylinder, as shown and
described.

(30) **Foreign Application Priority Data**

Jul. 5, 2011 (JP) 2011-015353
Jul. 5, 2011 (JP) 2011-015354

DESCRIPTION

(51) **LOC (9) Cl.** **15-02**

(52) **U.S. Cl.** **D15/7**

(58) **Field of Classification Search** D15/7-9;
D23/231, 232, 225; 417/60, 235, 265, 321,
417/355, 358, 363, 359, 410.1, 415-416,
417/405, 900; 60/408, 412; 184/26-37;
415/140-147; 123/495, 509

See application file for complete search history.

FIG. 1 is a top, front and left-side perspective view of a rodless
cylinder showing a first embodiment of our new design;
FIG. 2 is a bottom, rear and right-side perspective view
thereof;
FIG. 3 is a front view thereof;
FIG. 4 is a rear view thereof;
FIG. 5 is a top plan view thereof;
FIG. 6 is a bottom plan view thereof;
FIG. 7 is a left side view thereof; and
FIG. 8 is a right side view thereof.
FIG. 9 is a top, front and left-side perspective view of a rodless
cylinder showing a second embodiment of our new design;
FIG. 10 is a bottom, rear and right-side perspective view
thereof;
FIG. 11 is a front view thereof;
FIG. 12 is a rear view thereof;
FIG. 13 is a top plan view thereof;
FIG. 14 is a bottom plan view thereof;
FIG. 15 is a left side view thereof; and,
FIG. 16 is a right side view thereof.

(56) **References Cited**

U.S. PATENT DOCUMENTS

D438,215 S 2/2001 Kaneko
D444,795 S 7/2001 Wakasugi et al.
D446,229 S * 8/2001 Kaneko D15/143
D461,733 S 8/2002 Iida
D556,861 S * 12/2007 Yokohari D23/233
D556,862 S * 12/2007 Yokohari D23/233
D589,061 S 3/2009 Chu

1 Claim, 16 Drawing Sheets

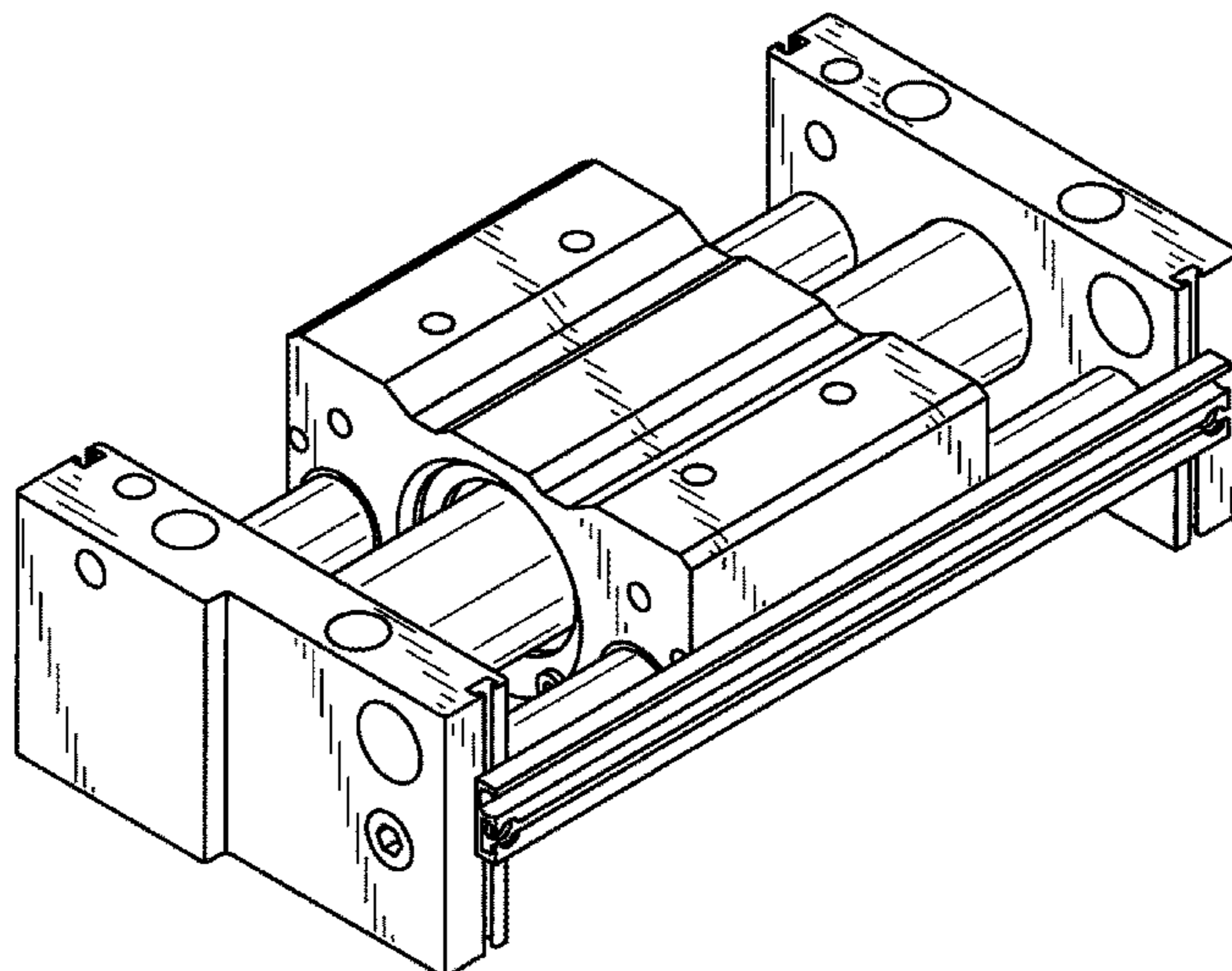


FIG. 1

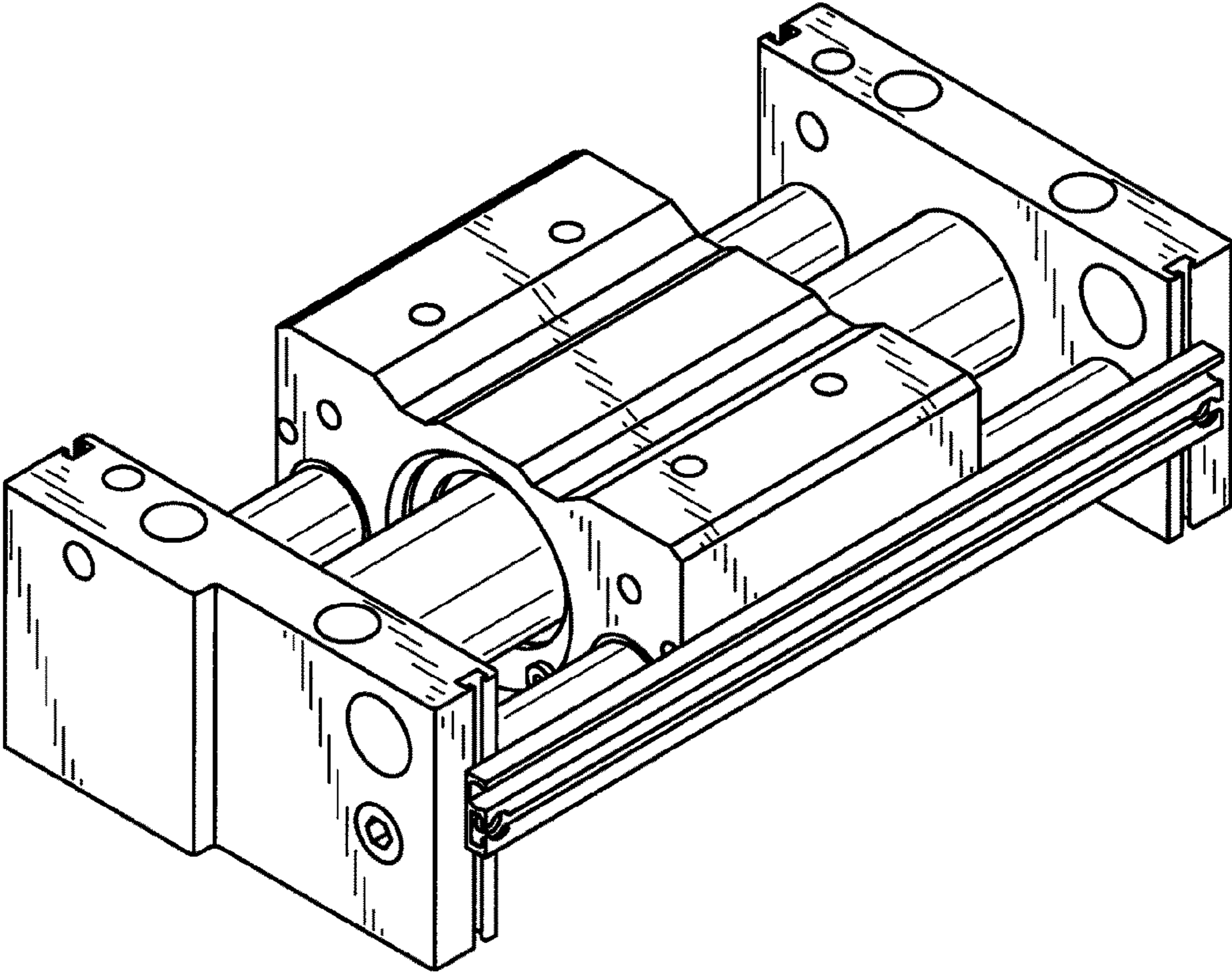


FIG. 2

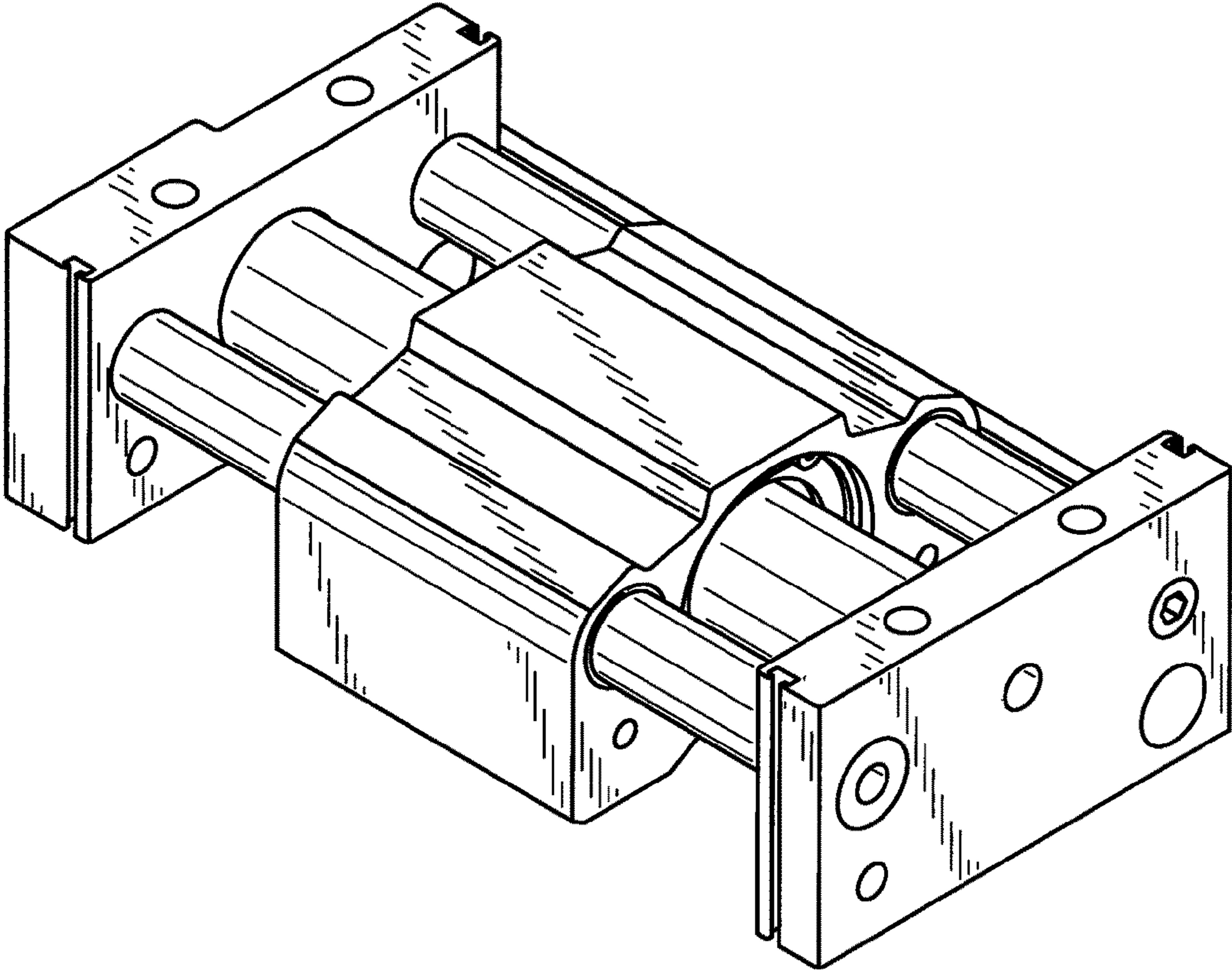


FIG. 3

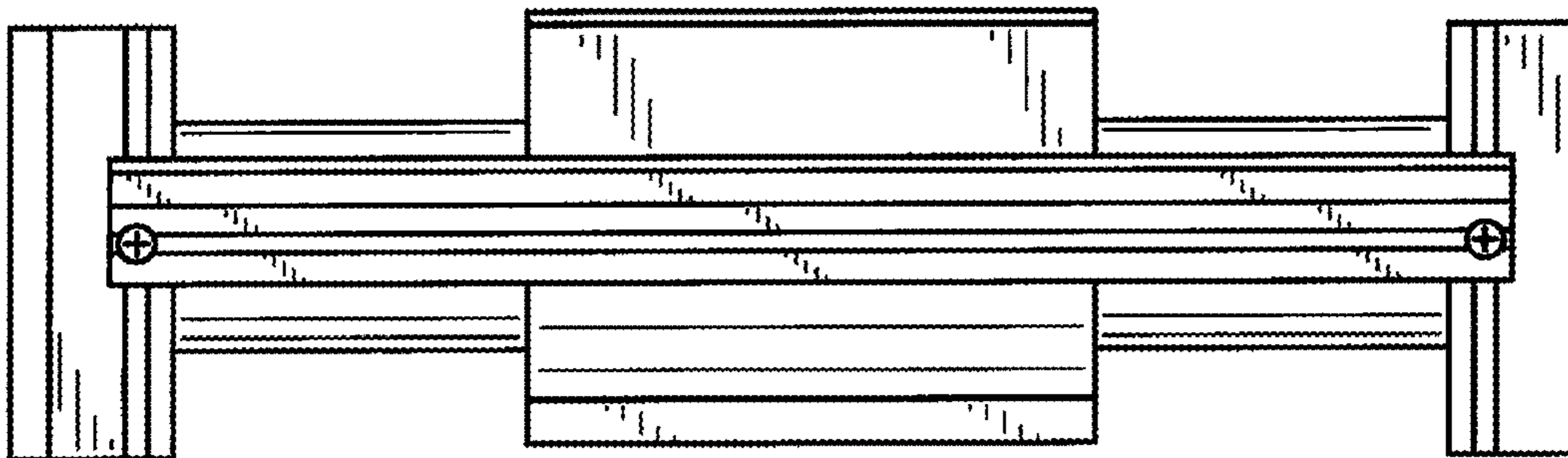


FIG. 4

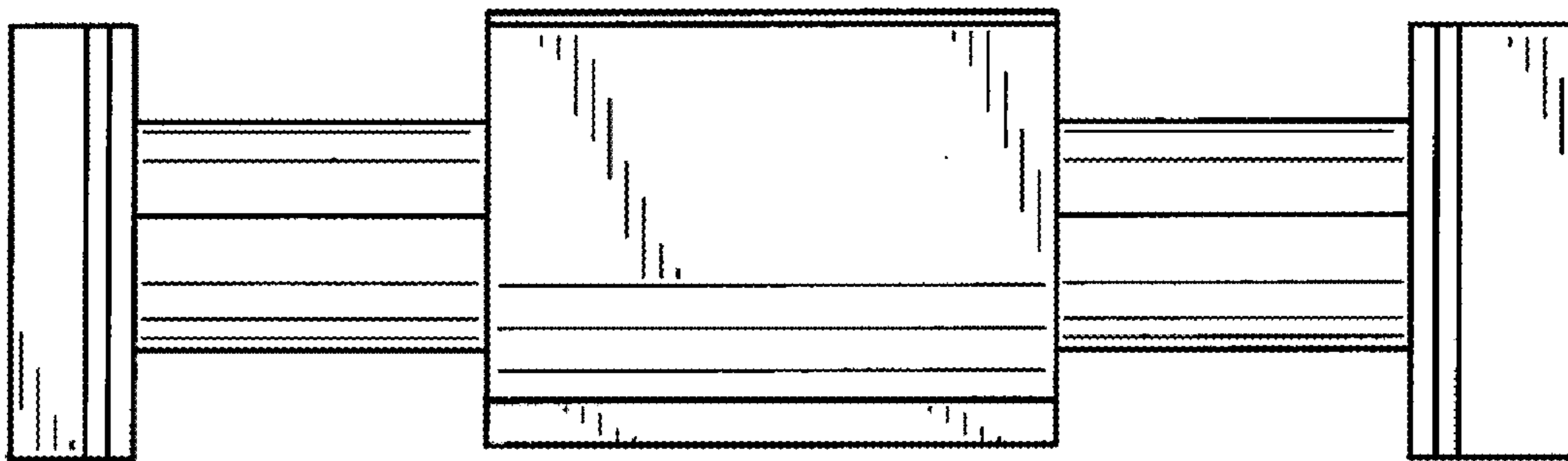


FIG. 5

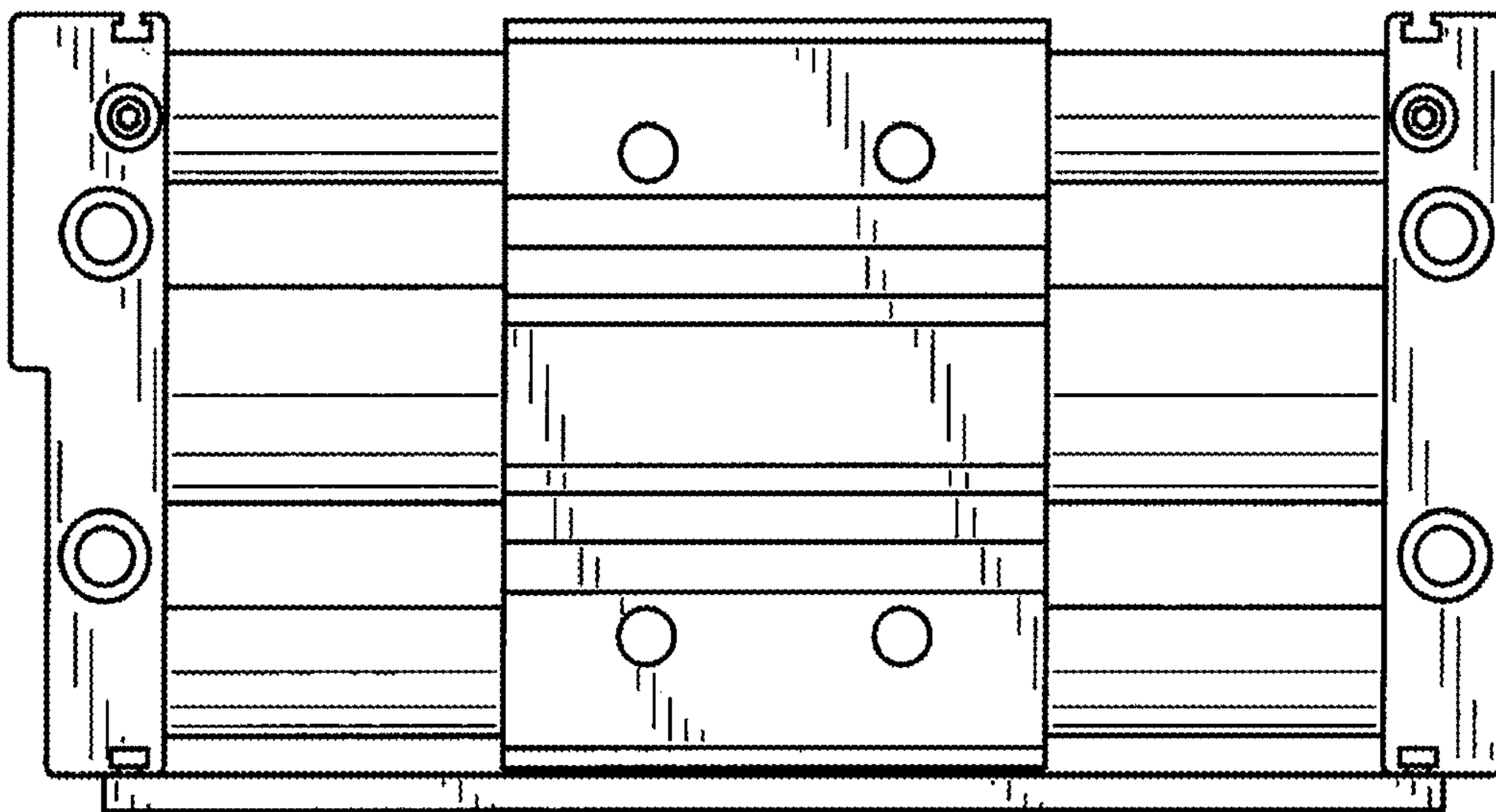


FIG. 6

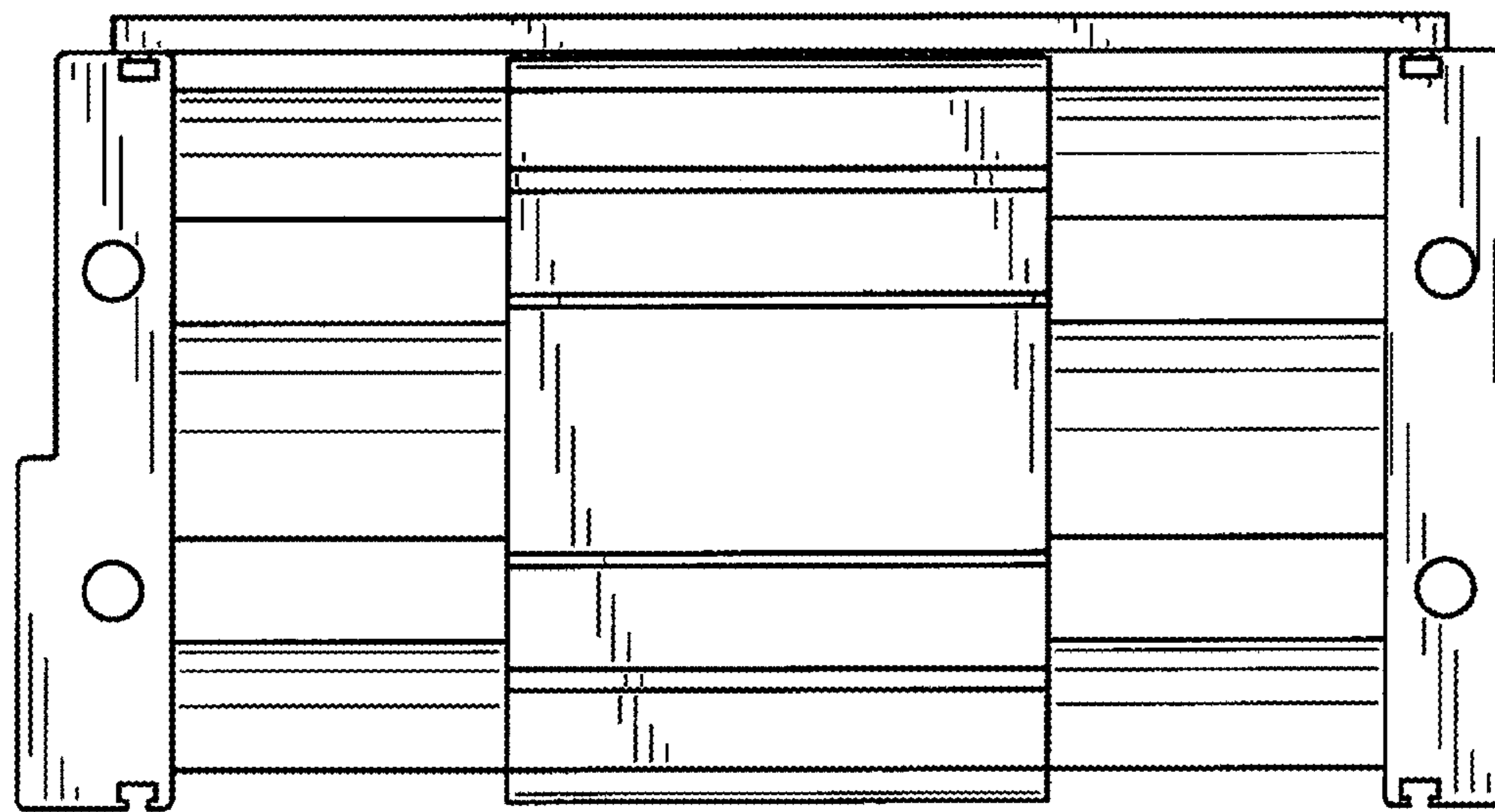


FIG. 7

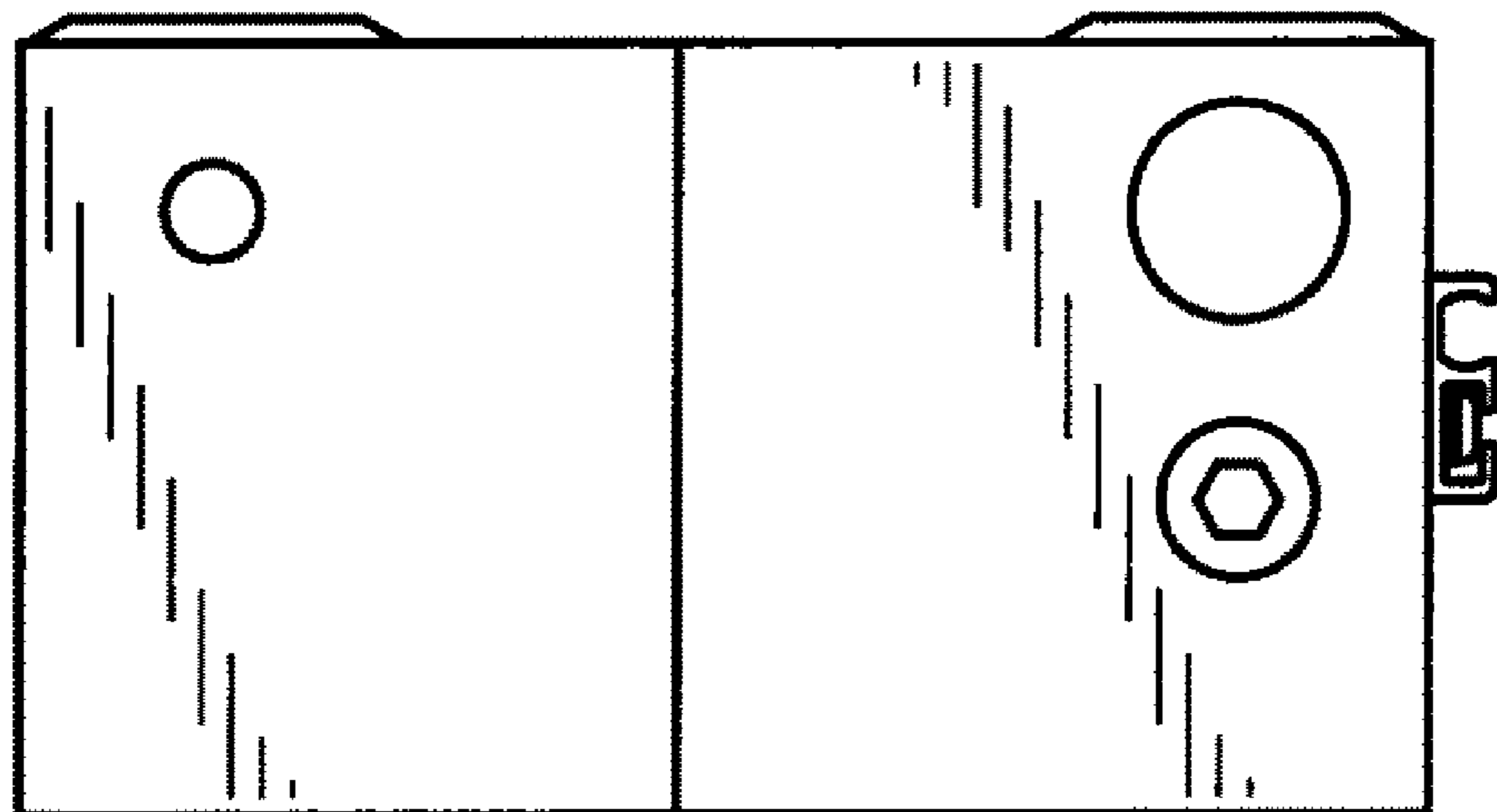


FIG. 8

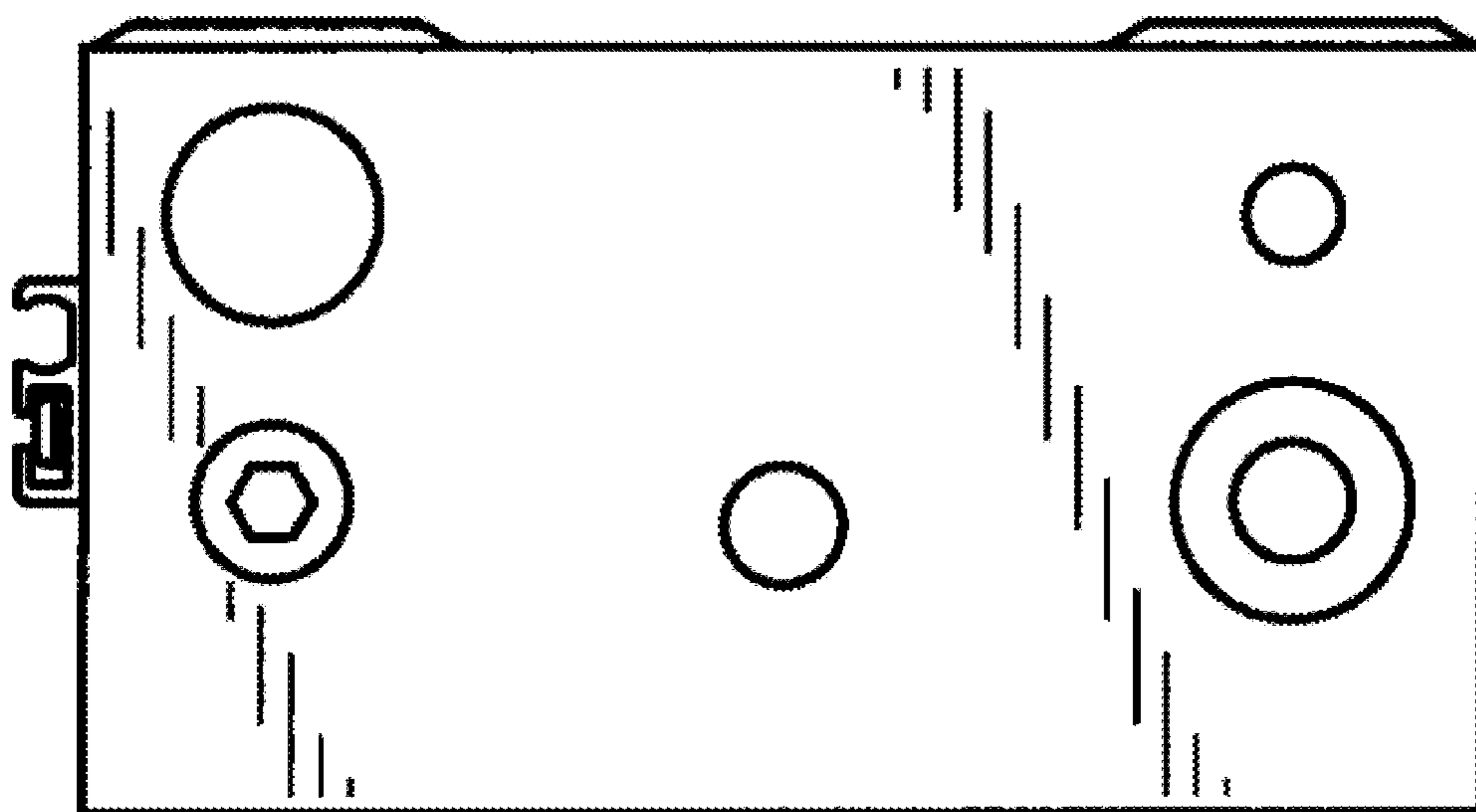


FIG. 9

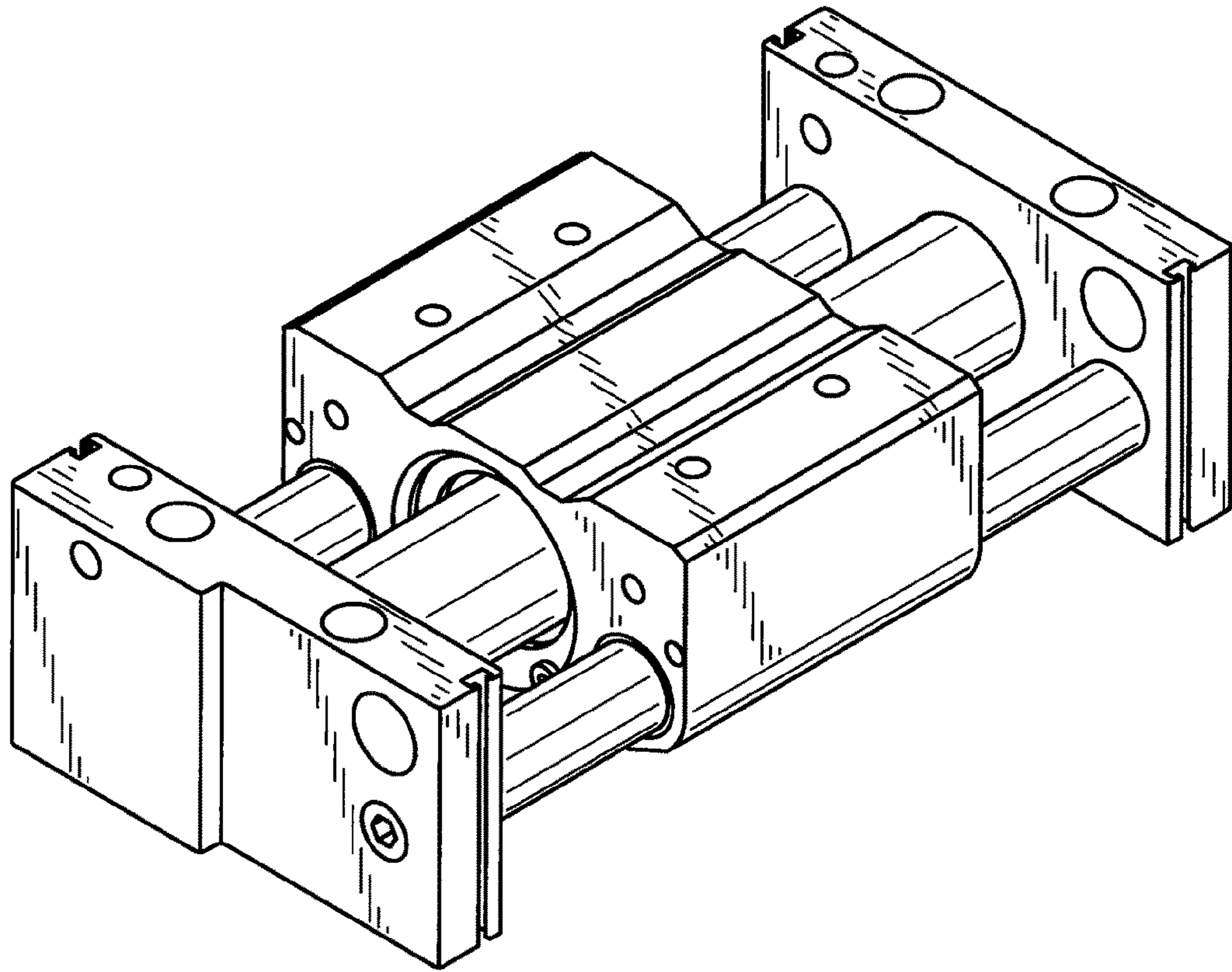


FIG. 10

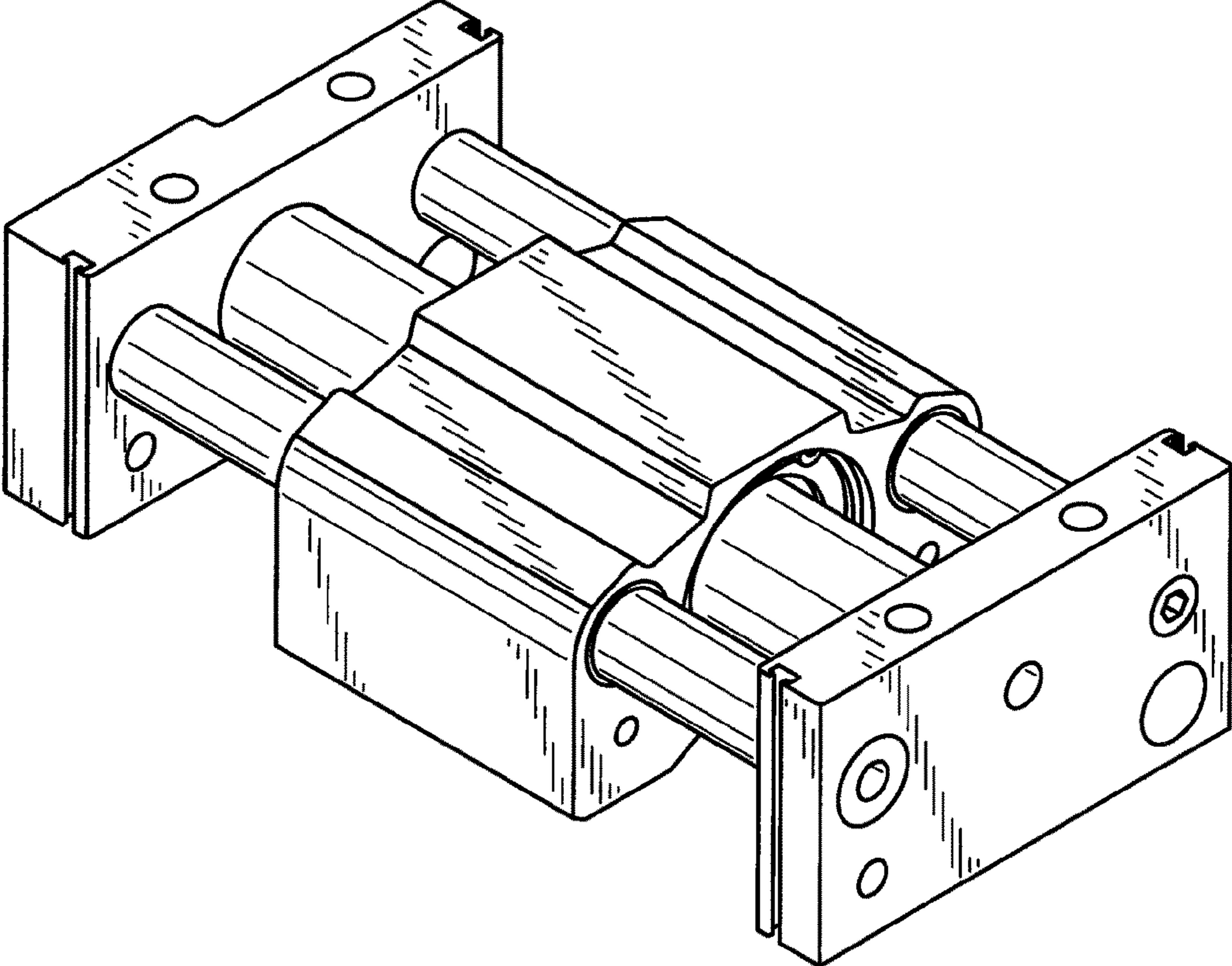


FIG. 11

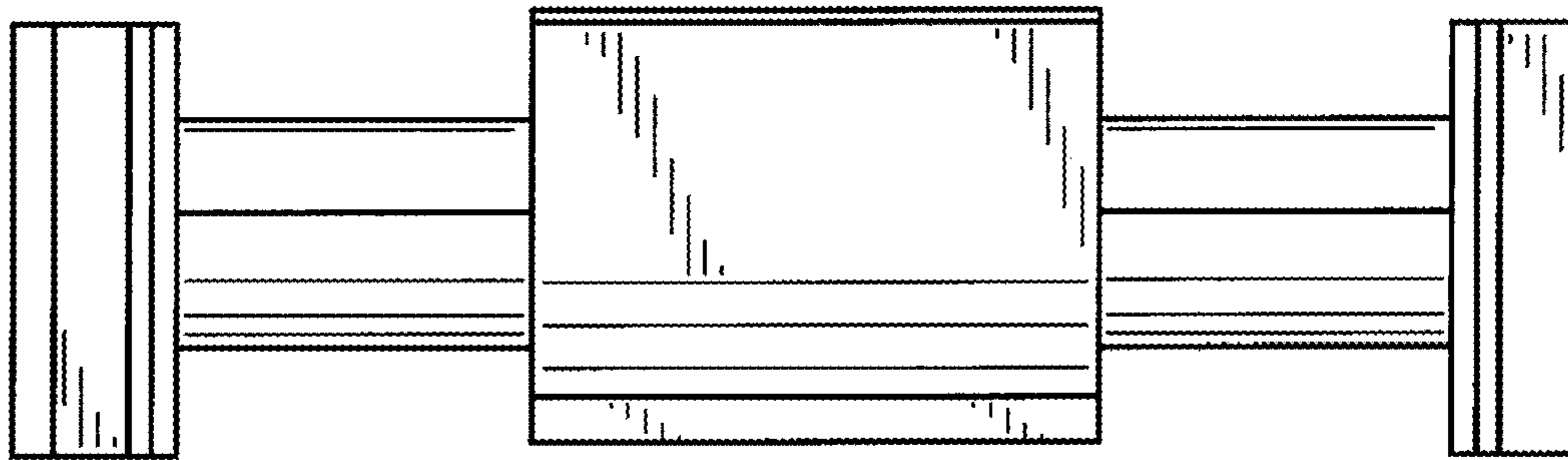


FIG. 12

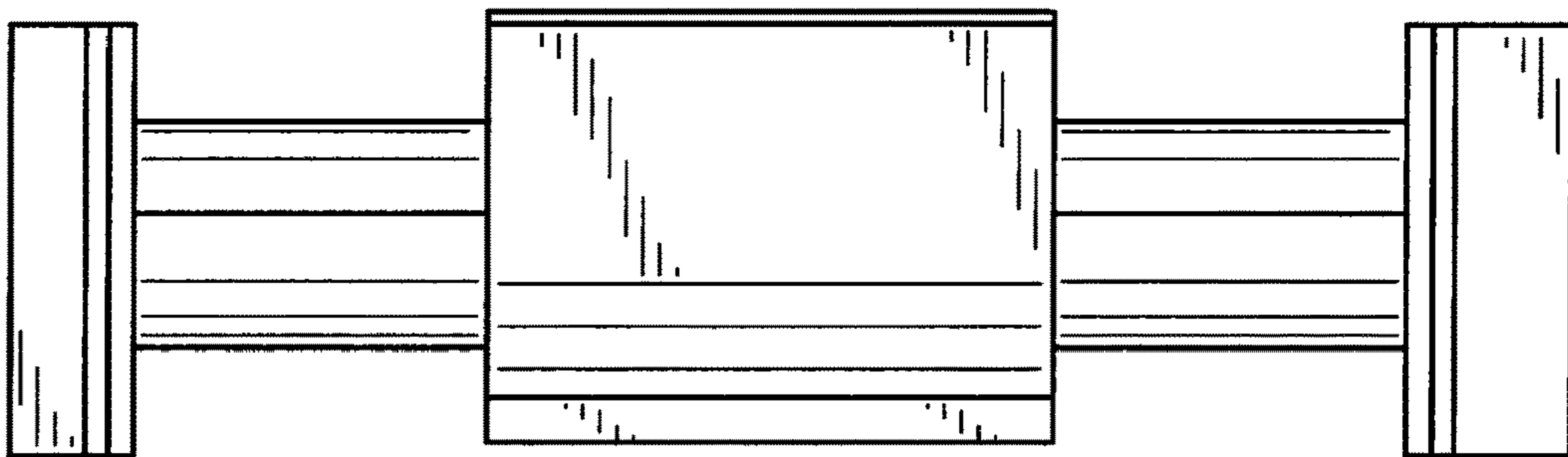


FIG. 13

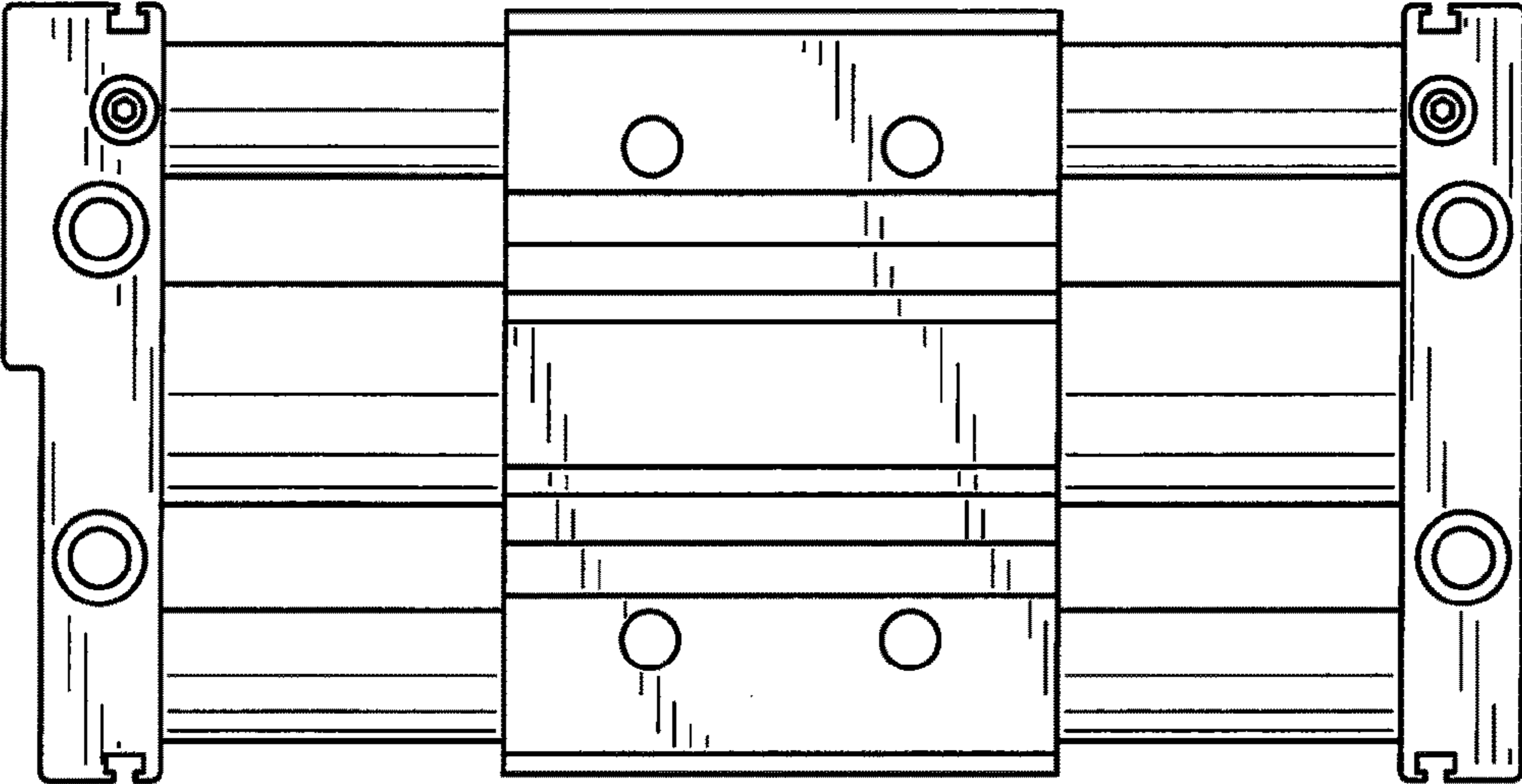


FIG. 14

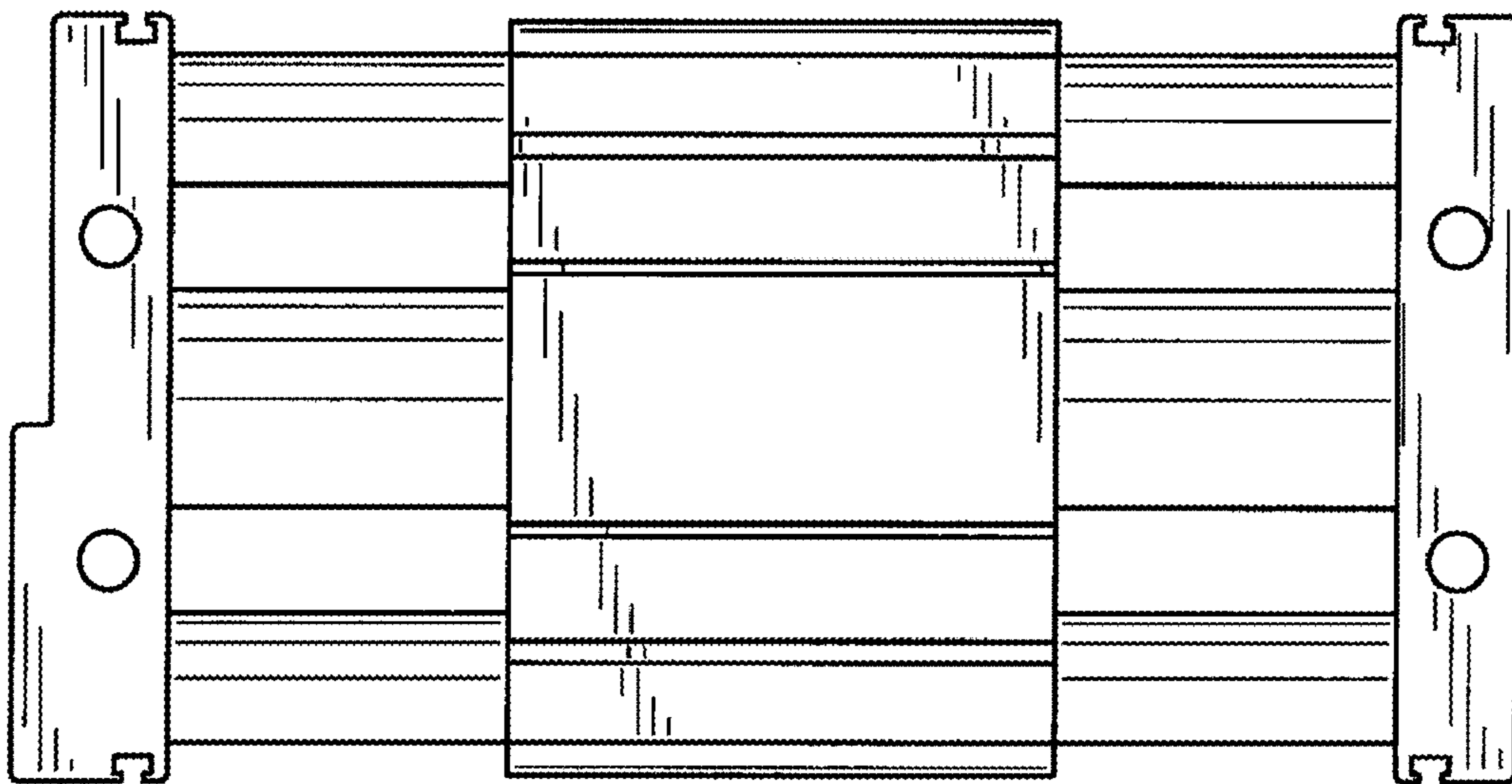


FIG. 15

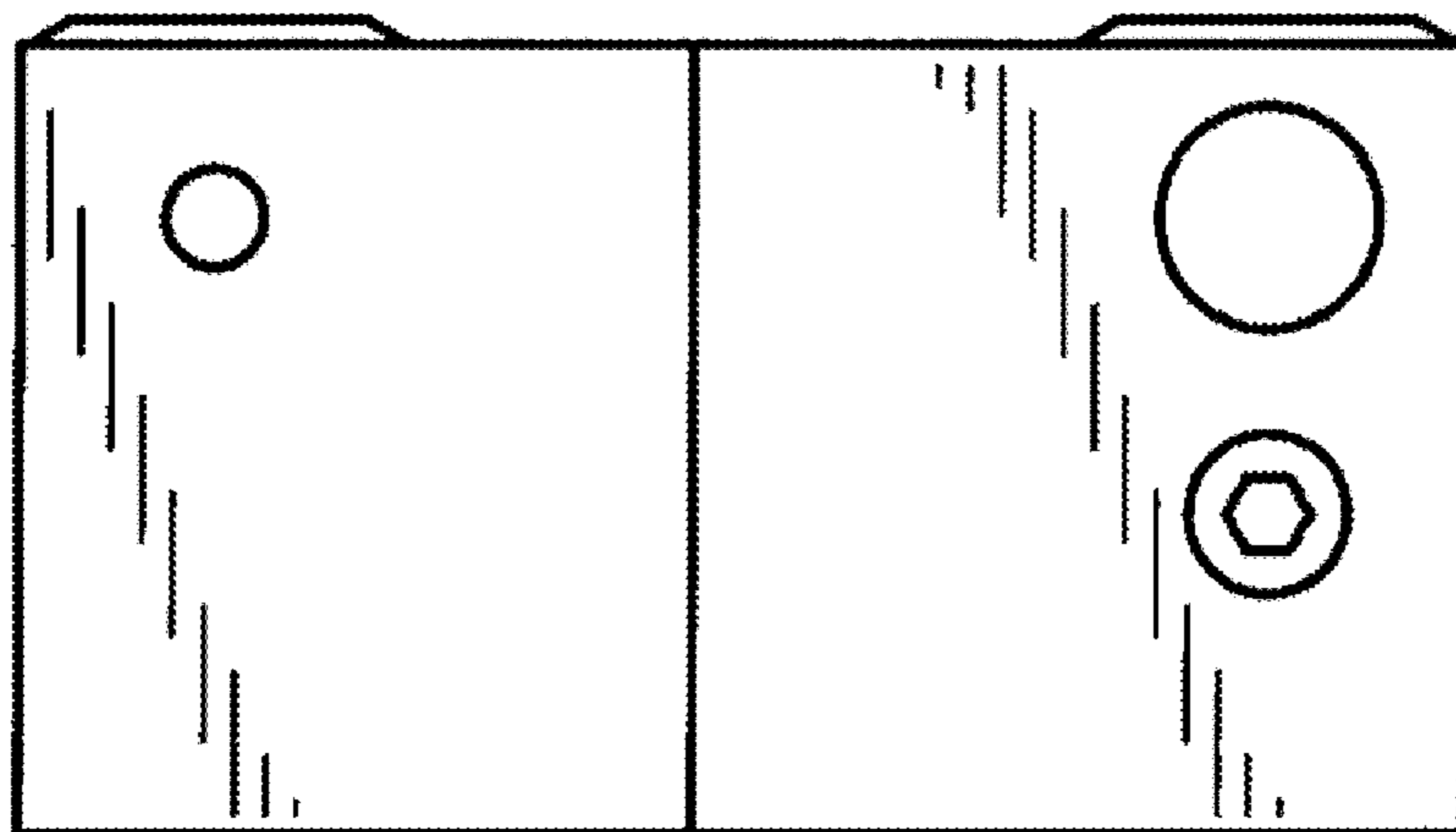


FIG. 16

