



US00D678911S

(12) **United States Design Patent**
Prevost

(10) **Patent No.:** **US D678,911 S**

(45) **Date of Patent:** **** Mar. 26, 2013**

(54) **WATER PUMP ADAPTER**

(76) Inventor: **Clemon Prevost**, Texas City, TX (US)

(**) Term: **14 Years**

(21) Appl. No.: **29/387,990**

(22) Filed: **Apr. 20, 2011**

(51) **LOC (9) Cl.** **15-02**

(52) **U.S. Cl.** **D15/7**

(58) **Field of Classification Search** D15/7-9;
D23/231, 232, 225; 417/60, 235, 265, 321,
417/355, 358, 363, 359, 410.1, 415-416,
417/405, 900; 60/408, 412; 184/26-37;
415/140-147; 123/495, 509

See application file for complete search history.

(56) **References Cited**

U.S. PATENT DOCUMENTS

D97,647 S *	11/1935	Miller et al.	D23/231
D254,671 S *	4/1980	Johnson et al.	D15/7
D258,590 S *	3/1981	Shaw	D15/7
D280,823 S *	10/1985	Maruyama	D15/7
D280,902 S *	10/1985	Maruyama	D15/7
D280,991 S *	10/1985	Maruyama	D15/7
D280,992 S *	10/1985	Maruyama	D15/7
D295,522 S *	5/1988	Martin et al.	D15/7
D299,720 S *	2/1989	Yoo	D15/7
D318,055 S *	7/1991	Tomlinson	D15/5
D327,275 S *	6/1992	Sheldon	D15/7
D355,199 S *	2/1995	Ousey	D15/7
D356,799 S *	3/1995	Gardner	D15/4
D361,575 S *	8/1995	Makino	D15/7
D440,229 S *	4/2001	Balint	D15/7
D456,819 S *	5/2002	Sebion et al.	D15/7
D461,827 S *	8/2002	Koebbe	D15/7
D471,563 S *	3/2003	Selic et al.	D15/7

D472,558 S *	4/2003	MacPherson et al.	D15/7
D497,915 S *	11/2004	Bowen	D15/7
D500,505 S *	1/2005	Selic et al.	D15/2
D506,210 S *	6/2005	Selic et al.	D15/7
D526,664 S *	8/2006	Bowen	D15/7
D557,286 S *	12/2007	Pedrollo	D15/7
D583,389 S *	12/2008	Bilger	D15/7
D584,320 S *	1/2009	Huang	D15/7
D623,200 S *	9/2010	Fulkerson et al.	D15/7
D643,442 S *	8/2011	Sato et al.	D15/9

* cited by examiner

Primary Examiner — Ralf Seifert

(74) *Attorney, Agent, or Firm* — Bushman & Associates, P.C.

(57) **CLAIM**

The ornamental design for a water pump adapter, as shown and described.

DESCRIPTION

FIG. 1 is a perspective view of one embodiment of the water pump adapter of the present invention;
FIG. 2 is a right side, end view of the embodiment shown in FIG. 1;
FIG. 3 is a left side, end view of the embodiment shown in FIG. 1;
FIG. 4 is a front view of the embodiment shown in FIG. 1;
FIG. 5 is a view of one side of the embodiment shown in FIG. 1;
FIG. 6 is a rear view of the embodiment shown in FIG. 1; and,
FIG. 7 is a view of the other side of the embodiment shown in FIG. 1.

1 Claim, 3 Drawing Sheets

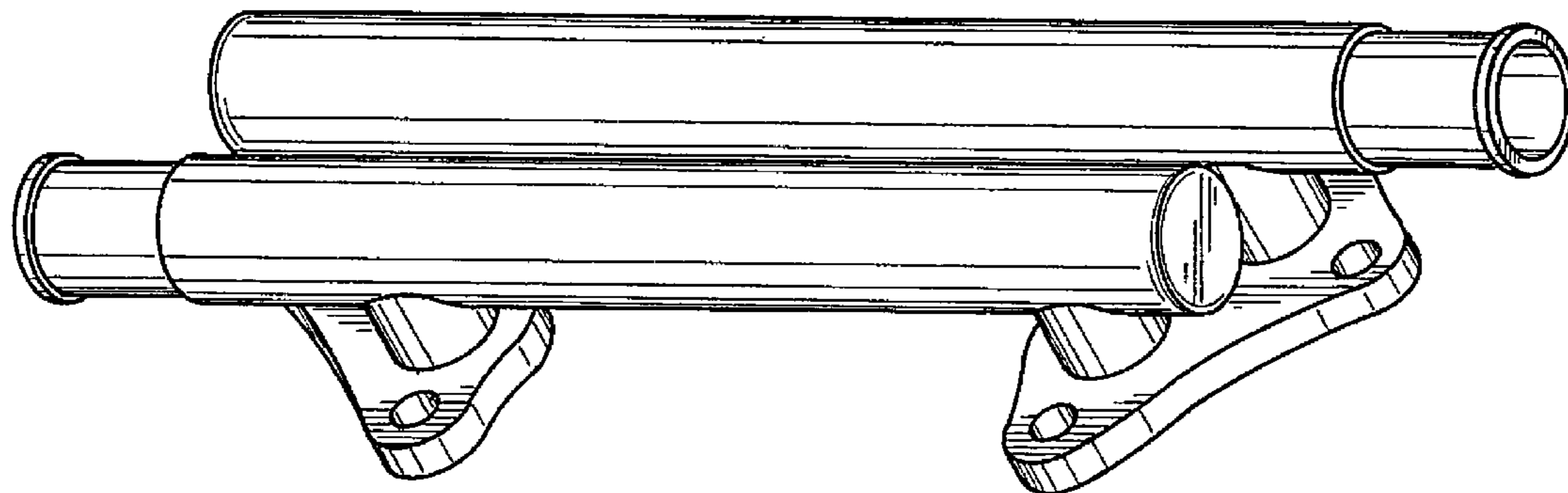


FIG. 1

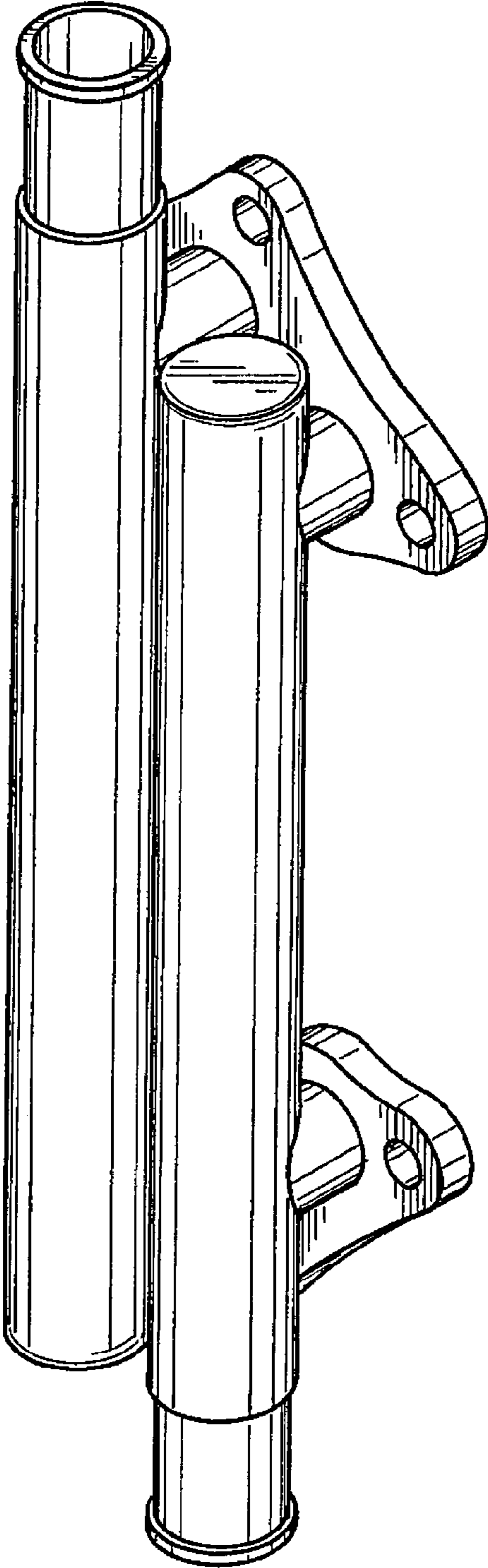


FIG. 2

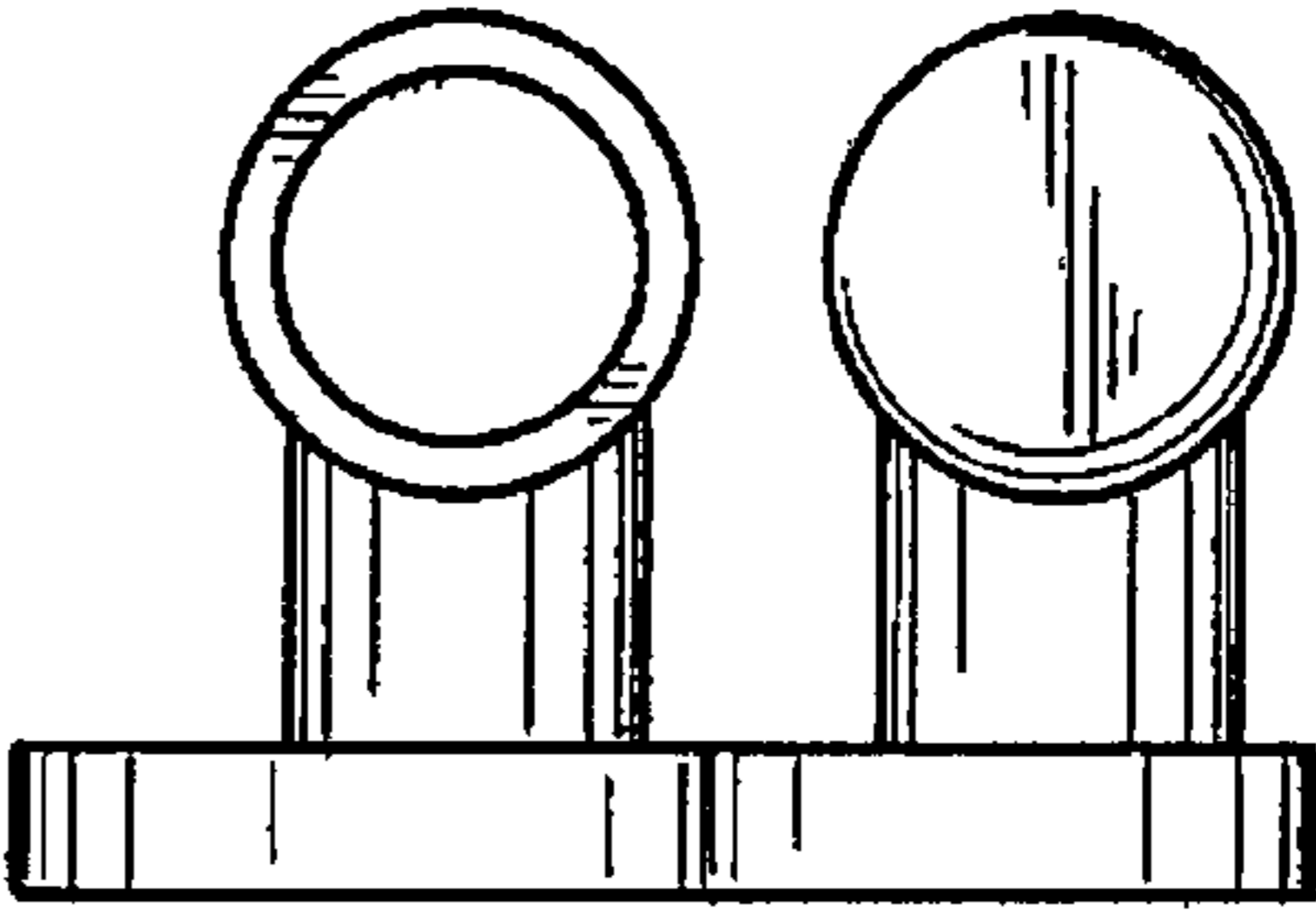


FIG. 3

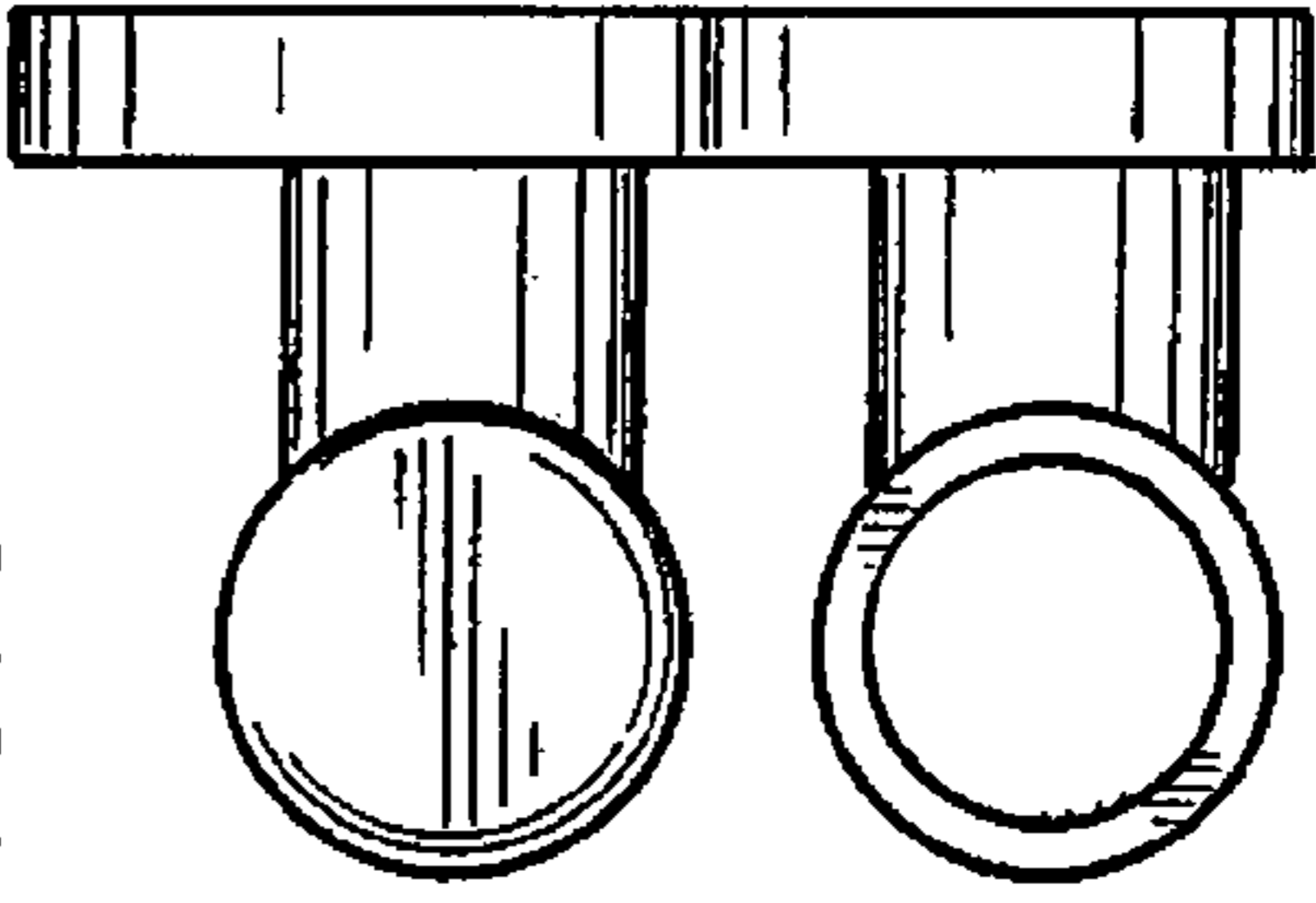


FIG. 4

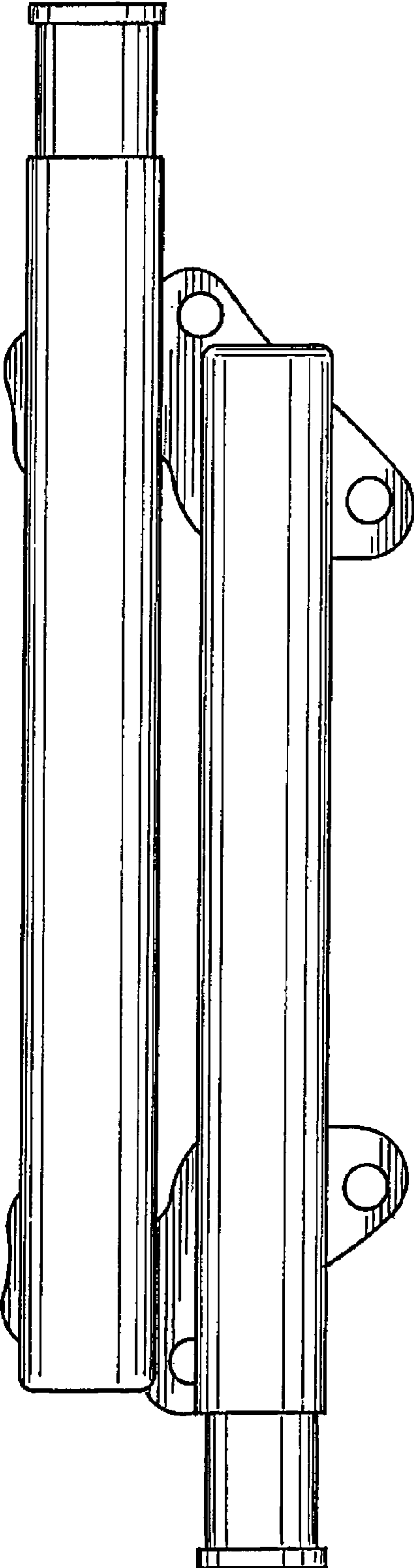


FIG. 5

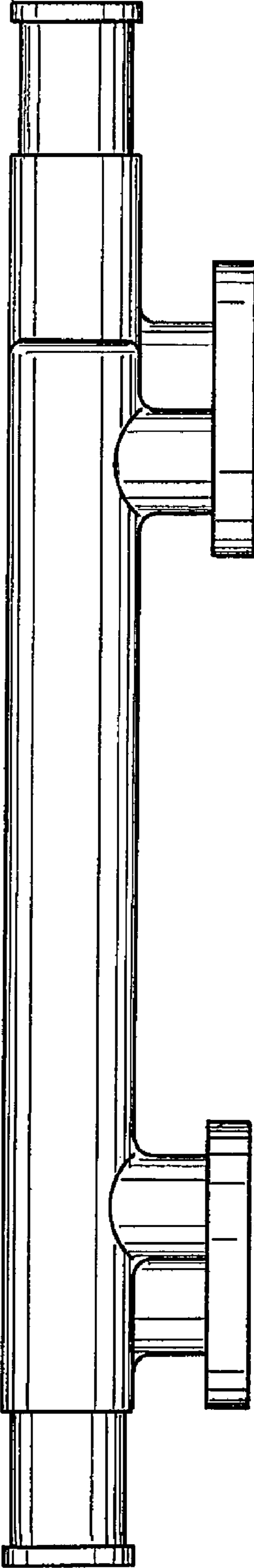


FIG. 6

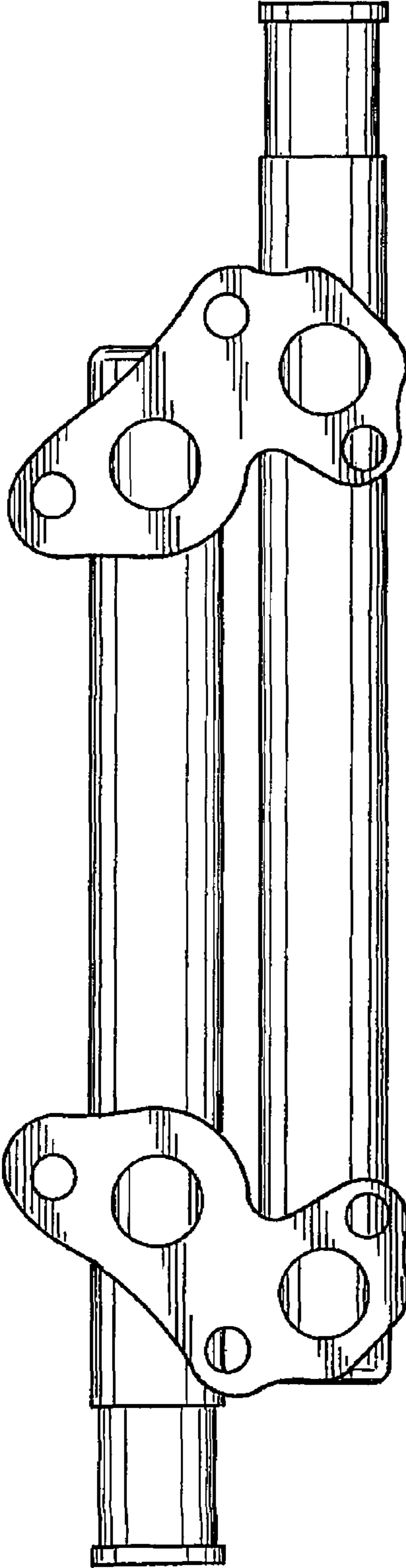


FIG. 7

