



US00D678899S

(12) **United States Design Patent**
Gleasant et al.

(10) **Patent No.:** **US D678,899 S**
(45) **Date of Patent:** **** Mar. 26, 2013**

(54) **DISPLAY SCREEN WITH ANIMATED GRAPHICAL USER INTERFACE**

(75) Inventors: **Jonathan Eric Gleasant**, Seattle, WA (US); **Jan-Kristian Markiewicz**, Redmond, WA (US)

(73) Assignee: **Microsoft Corporation**, Redmond, WA (US)

(**) Term: **14 Years**

(21) Appl. No.: **29/401,559**

(22) Filed: **Sep. 12, 2011**

(51) **LOC (9) Cl.** **14-04**

(52) **U.S. Cl.** **D14/487**

(58) **Field of Classification Search** D14/487-495;
D20/10-12, 22-23, 25, 27-29, 31-32, 34-36;
715/810, 835-837, 839-840, 846-847, 825,
715/829-830, 834

See application file for complete search history.

(56) **References Cited**

U.S. PATENT DOCUMENTS

D420,994	S *	2/2000	Nijima	D14/487
6,271,841	B1 *	8/2001	Tsujimoto	715/839
6,359,632	B1 *	3/2002	Eastty et al.	715/716
6,384,851	B1 *	5/2002	Takasu et al.	715/866
D521,521	S *	5/2006	Jewitt et al.	D14/487
D534,542	S *	1/2007	Jewitt et al.	D14/487
D557,272	S *	12/2007	Glaser et al.	D14/487
7,444,599	B1 *	10/2008	Chaudhri et al.	715/830
D655,710	S *	3/2012	Inada et al.	D14/485
D656,948	S *	4/2012	Knudsen et al.	D14/487
8,191,005	B2 *	5/2012	Baier et al.	715/771
2002/0140739	A1 *	10/2002	Dunlap et al.	345/810

2004/0051742	A1 *	3/2004	Lee et al.	345/836
2005/0183038	A1 *	8/2005	Yamamoto et al.	715/838
2006/0277498	A1 *	12/2006	Mann et al.	715/825
2012/0030626	A1 *	2/2012	Hopkins et al.	715/833

* cited by examiner

Primary Examiner — Karen E Kearney

(74) *Attorney, Agent, or Firm* — Banner & Witcoff, Ltd.

(57) **CLAIM**

The ornamental design for a display screen with animated user interface, as shown and described.

DESCRIPTION

FIG. 1 is a front view of the first image in a sequence for a display screen with animated graphical user interface showing our new design;

FIG. 2 is the second image thereof;

FIG. 3 is the third image thereof;

FIG. 4 is the fourth image thereof;

FIG. 5 is the fifth image thereof;

FIG. 6 is the sixth image thereof;

FIG. 7 is the seventh image thereof;

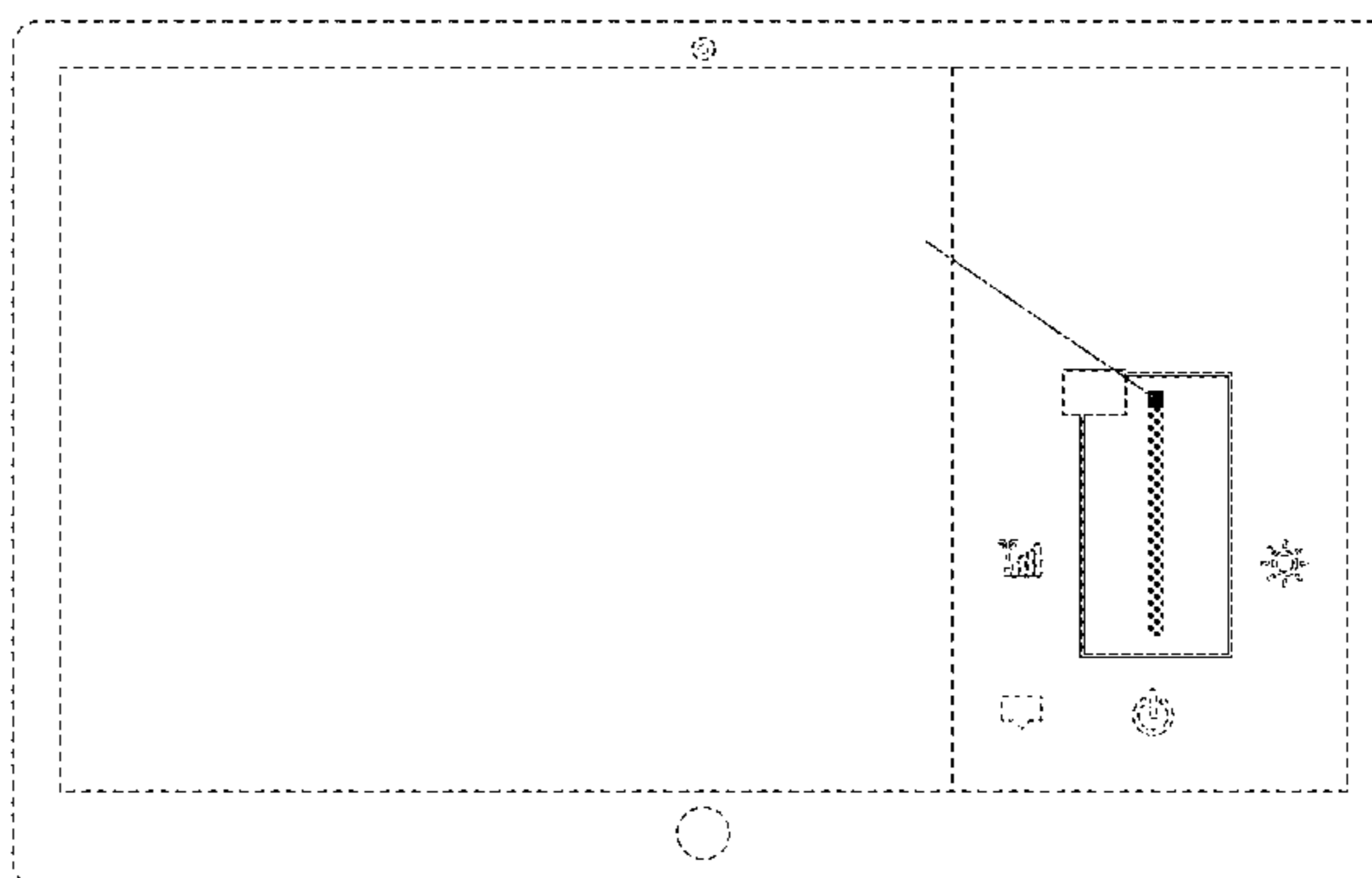
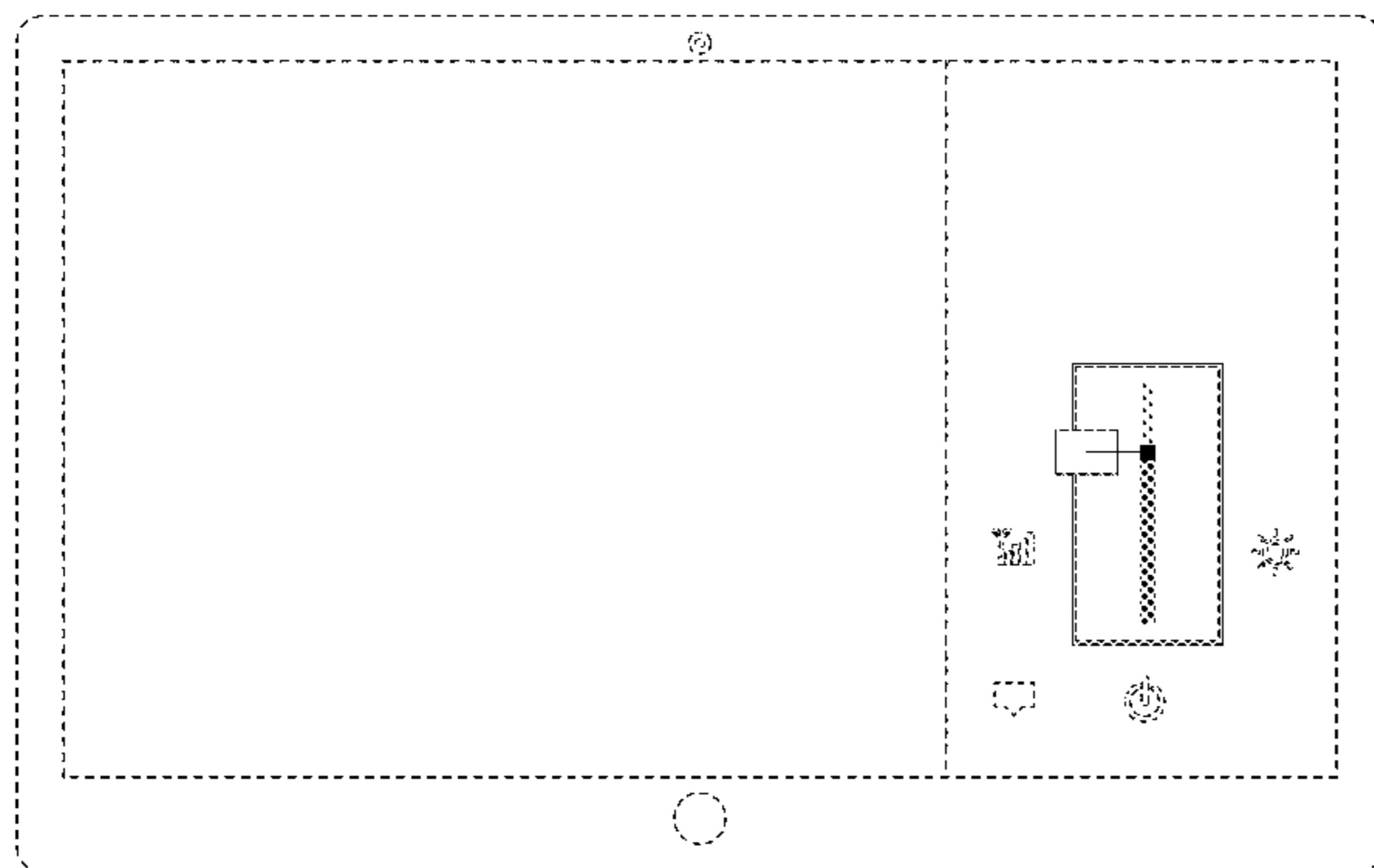
FIG. 8 is the eighth image thereof; and,

FIG. 9 is the ninth image thereof.

The broken line showings of the display screen and the remainder of the graphical user interface are for the purpose of illustrating environmental structure and portions of the display screen with animated graphical user interface and form no part of the claimed design.

The appearance of the transitional image sequentially transitions between the images shown in FIGS. 1-9. The process or period in which one image transitions to another image forms no part of the claimed design.

1 Claim, 9 Drawing Sheets



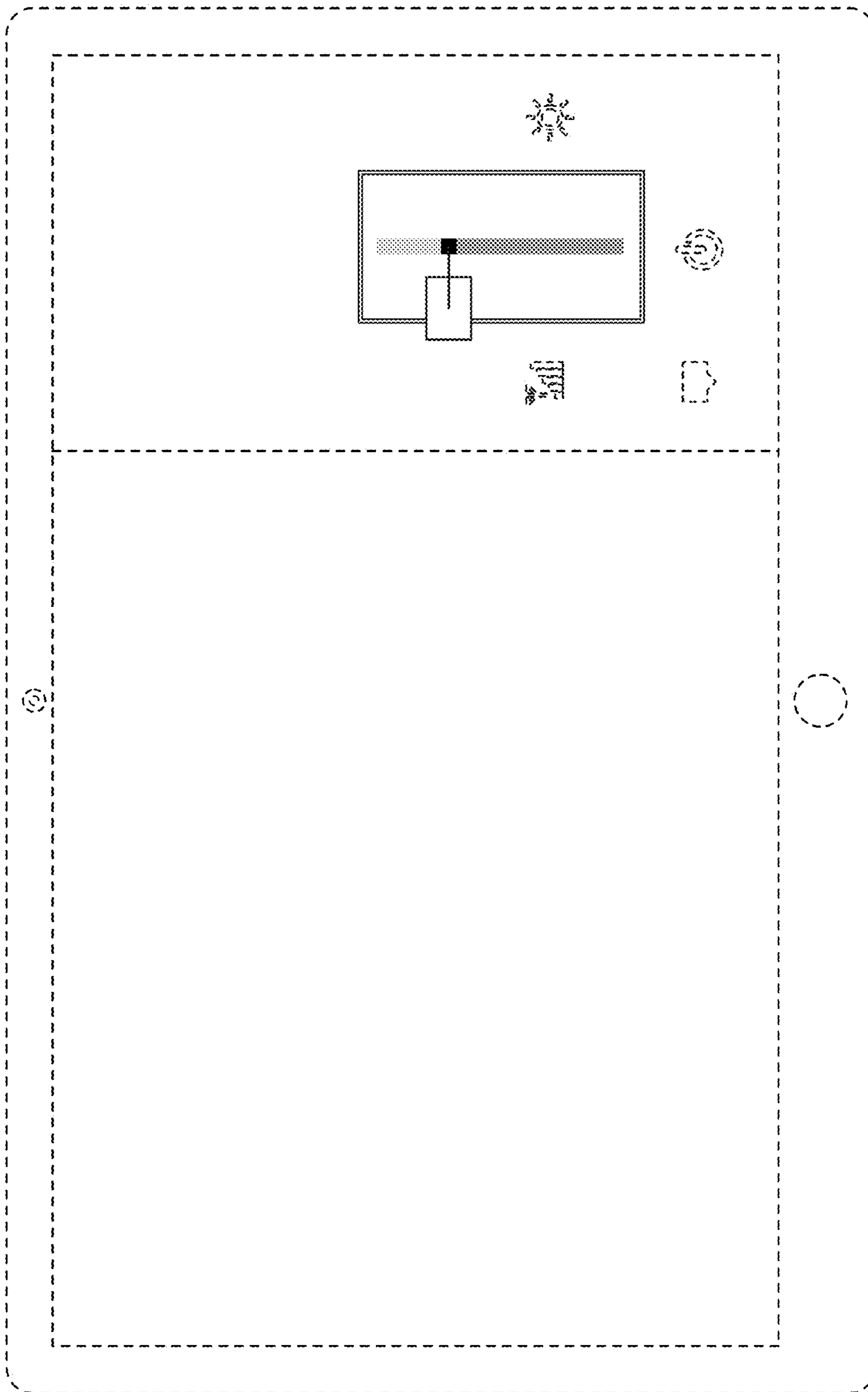


FIG. 1

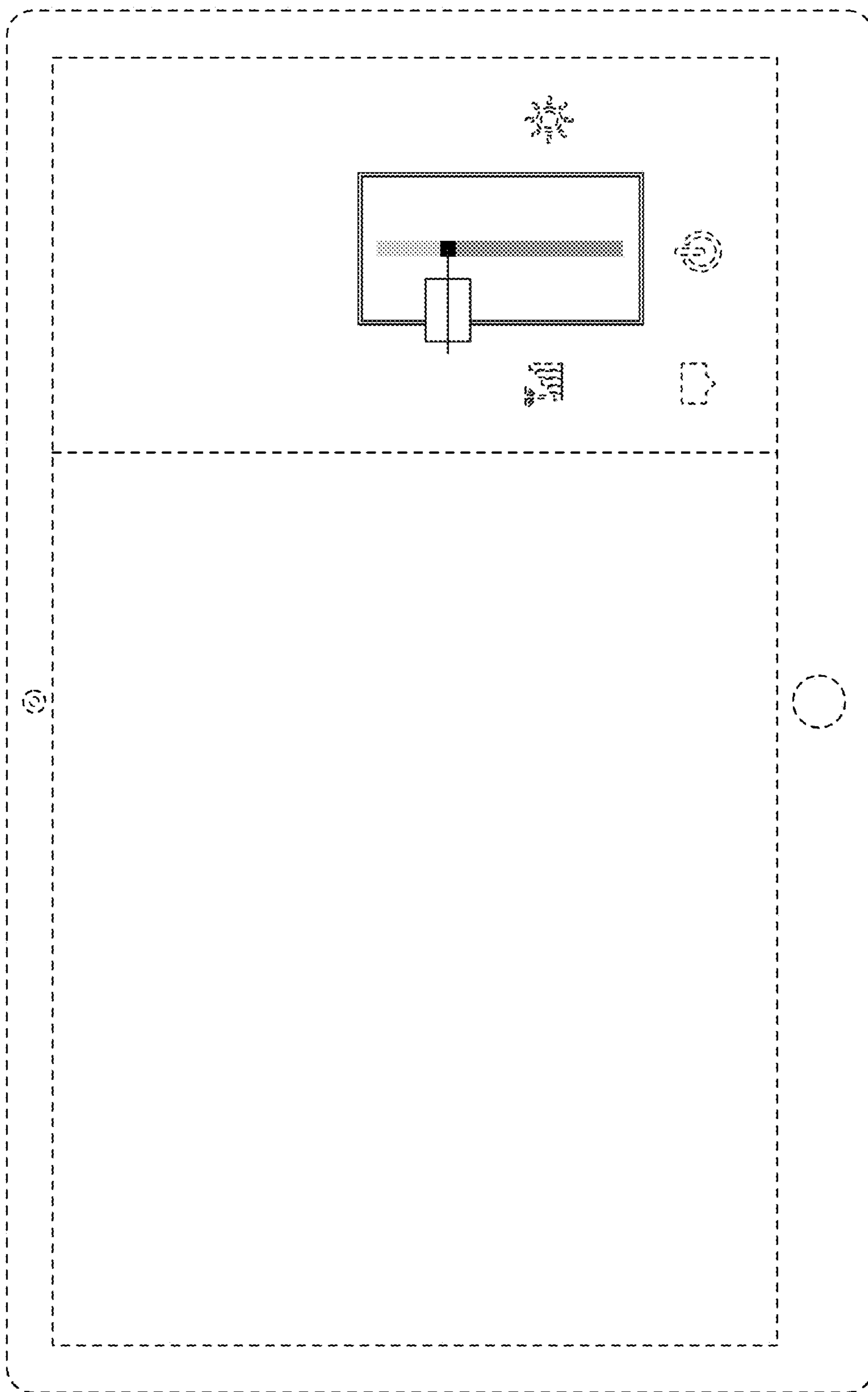


FIG. 2

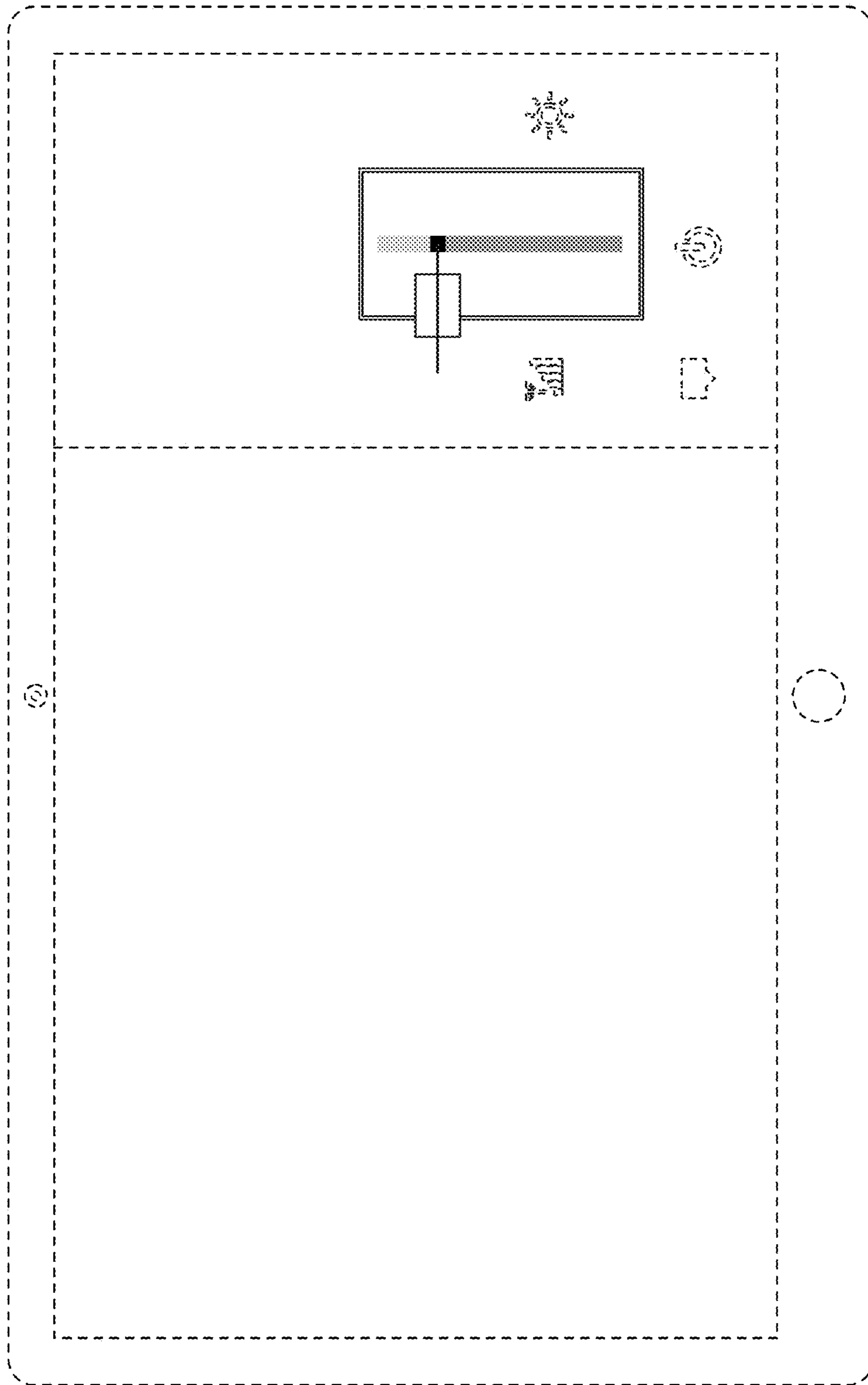


FIG. 3

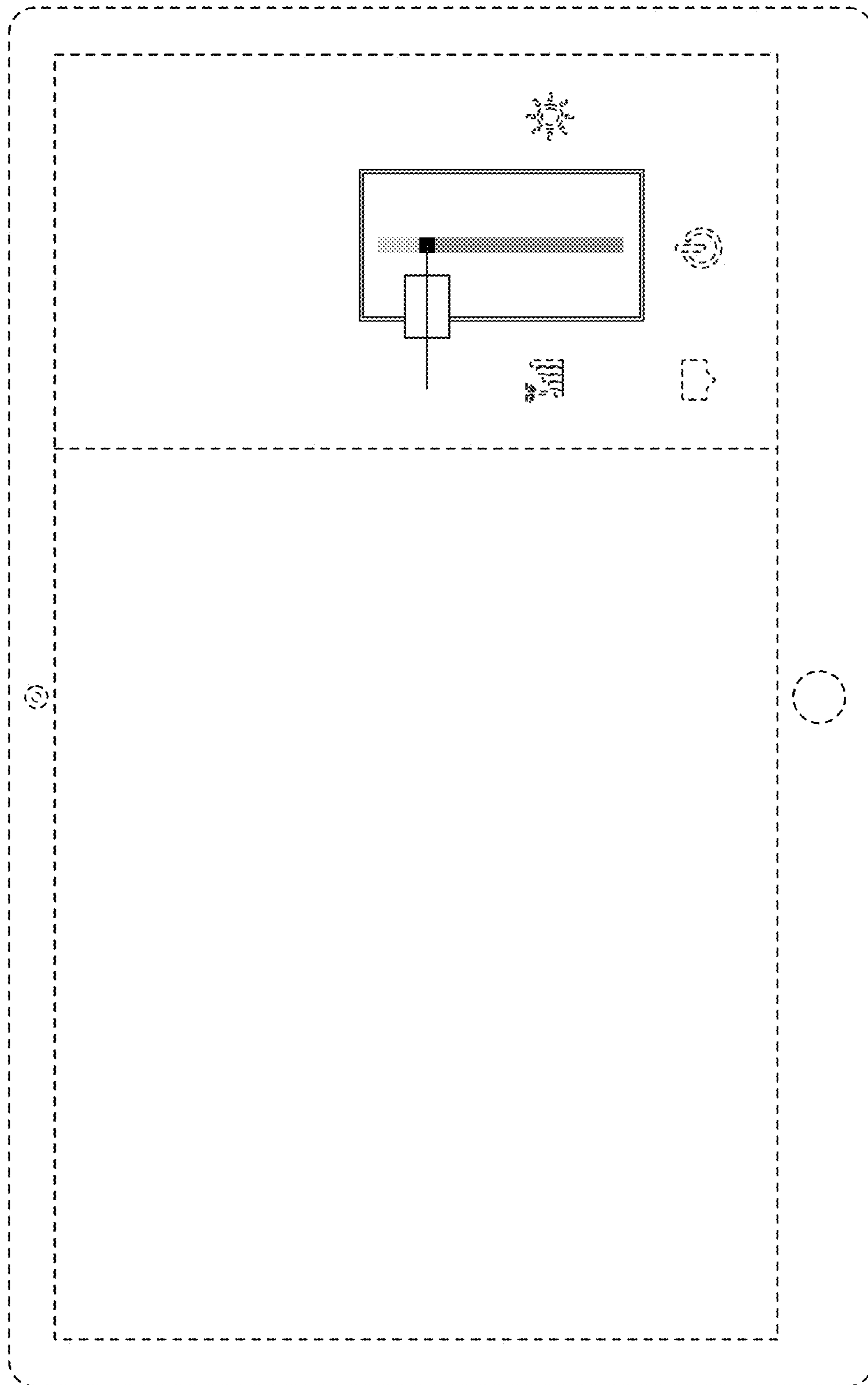


FIG. 4

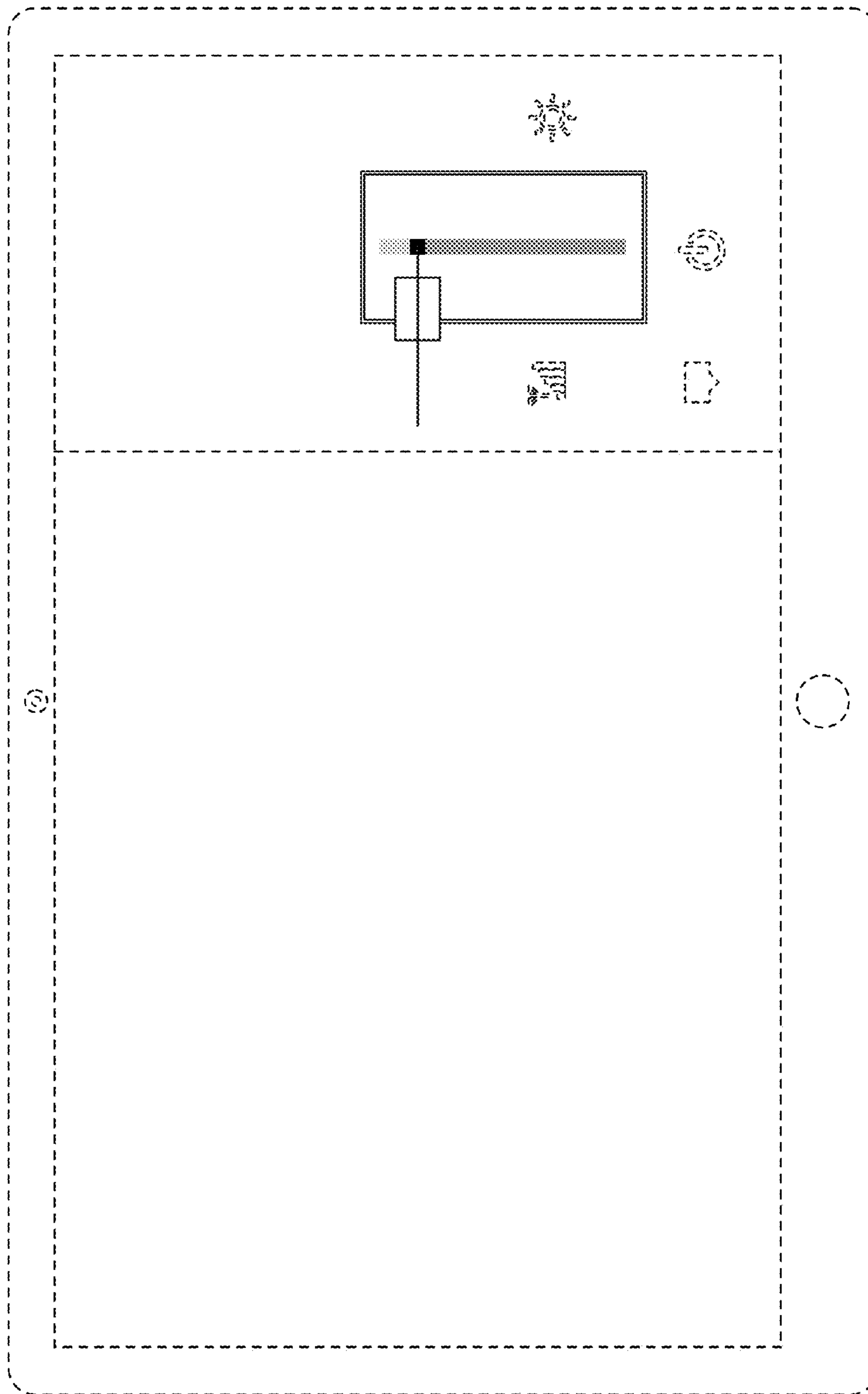


FIG. 5

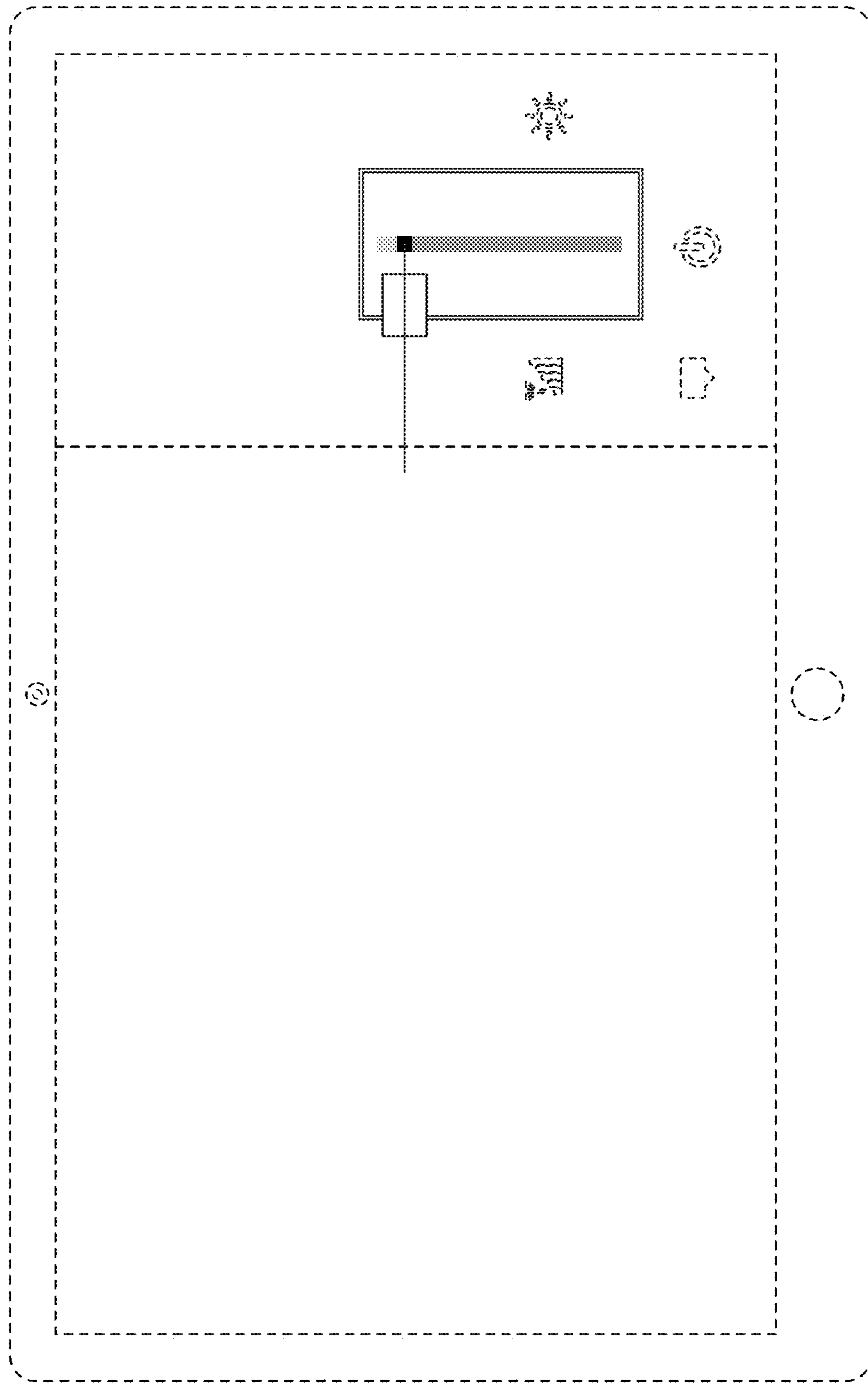


FIG. 6

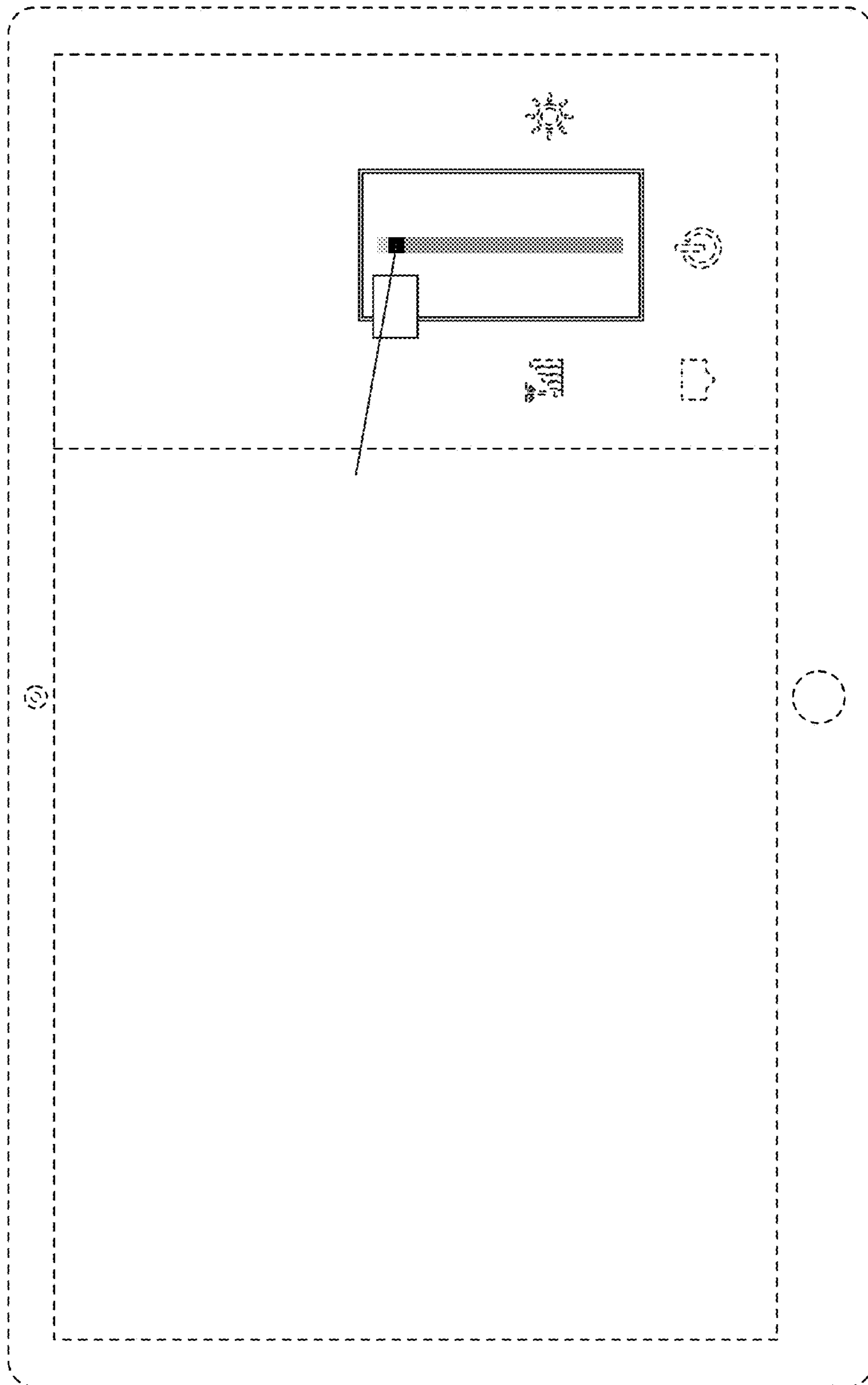


FIG. 7

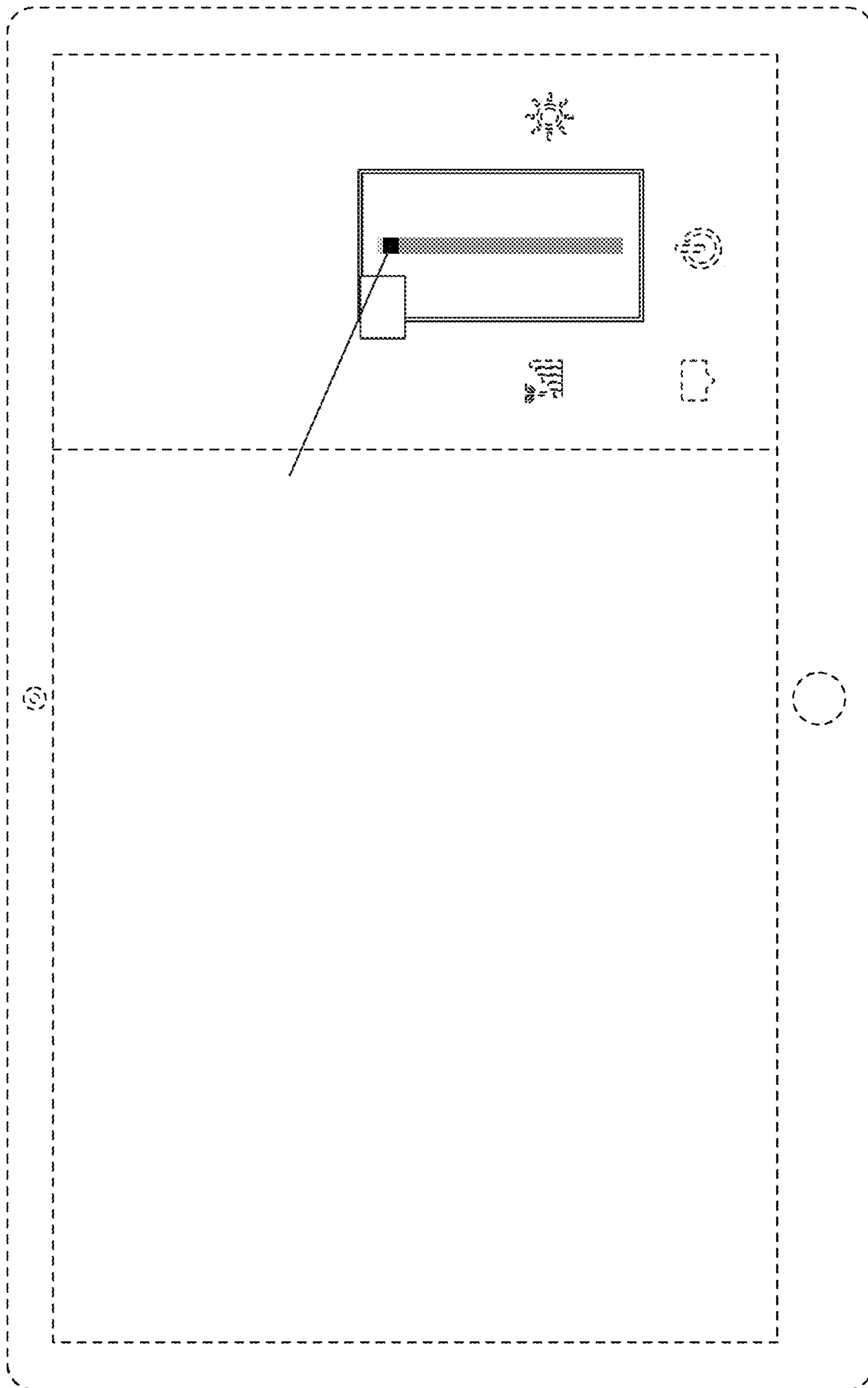


FIG. 8

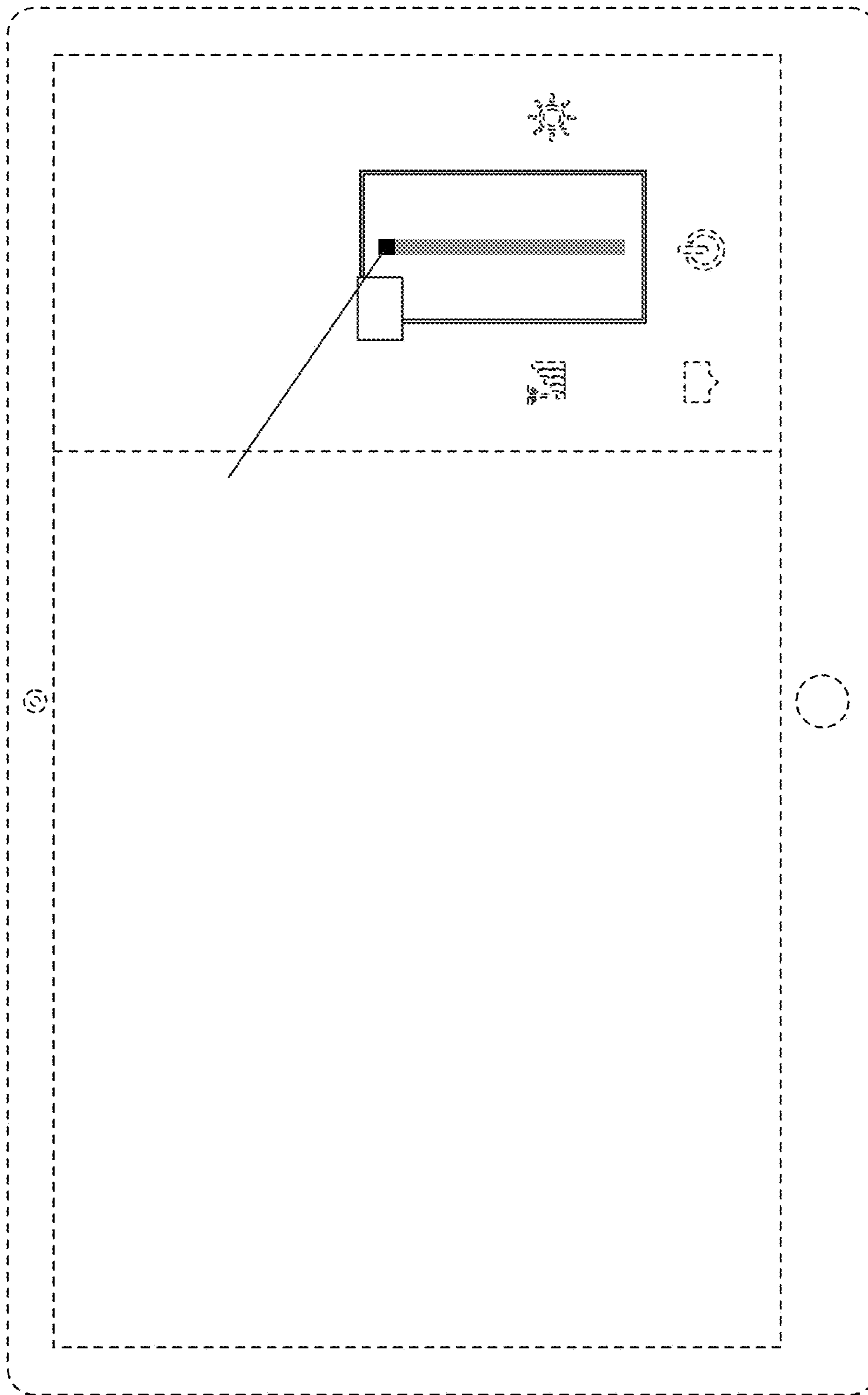


FIG. 9