



US00D678889S

(12) **United States Design Patent**
Chiu

(10) **Patent No.:** **US D678,889 S**
(45) **Date of Patent:** **** Mar. 26, 2013**

(54) **SCANNER DOCKING STATION**

(75) Inventor: **Chin-Chu Chiu**, Hsinchu County (TW)

(73) Assignee: **Avision Inc.** (TW)

(**) Term: **14 Years**

(21) Appl. No.: **29/416,710**

(22) Filed: **Mar. 26, 2012**

(30) **Foreign Application Priority Data**

Oct. 4, 2011 (TW) 100305269

(51) **LOC (9) Cl.** **14-02**

(52) **U.S. Cl.** **D14/453**

(58) **Field of Classification Search** D14/434,
D14/447, 453, 432, 433, 385, 357, 149, 457,
D14/253, 251, 356, 242, 439, 344; D13/108,
D13/118, 199, 107, 177; D3/218, 228, 269;
D18/12; D8/349, 382; 361/683, 686, 679,
361/600; 455/557, 556.1, 556.2, 575.4, 569.2,
455/569.1; 248/346.03, 176.1, 181.1, 309.1,
248/221.11; 200/6 R; 206/701; 320/113-115,
320/107; 379/426; 345/156, 901, 905; 439/374,
439/131, 529, 534, 929, 346, 31, 640; 235/472.01;
429/100

See application file for complete search history.

(56) **References Cited**

U.S. PATENT DOCUMENTS

D210,885 S *	4/1968	Eberhart	D13/108
D215,303 S *	9/1969	Carpenter	D13/108
D289,631 S *	5/1987	Osit	D13/108
D292,912 S *	11/1987	Muller et al.	D13/108
D300,213 S *	3/1989	Tsuji	D13/108
D303,245 S *	9/1989	Tsuji	D13/108
D315,161 S *	3/1991	Watanabe	D14/253
D317,911 S *	7/1991	Yokoi	D14/453
D324,024 S *	2/1992	Nagele et al.	D13/108
D328,056 S *	7/1992	Watanabe et al.	D13/108
D333,651 S *	3/1993	Itou et al.	D13/108

D336,281 S *	6/1993	Nakamura et al.	D13/107
D339,809 S *	9/1993	Ron	D14/253
D349,125 S *	7/1994	Wilson et al.	D16/208
D349,884 S *	8/1994	Iino	D13/108
D351,133 S *	10/1994	Jungels-Butler et al.	D13/108
D354,961 S *	1/1995	Richards et al.	D14/253
D362,430 S *	9/1995	Gassett et al.	D14/433
D362,663 S *	9/1995	Nguyen	D14/434
D368,479 S *	4/1996	Larson	D14/253
D369,343 S *	4/1996	Bliven	D13/108
D376,585 S *	12/1996	Wathen et al.	D14/434
5,602,458 A *	2/1997	Dowe	396/205
D378,519 S *	3/1997	Ober et al.	D14/453
5,665,485 A *	9/1997	Kuwayama et al.	429/100
D396,705 S *	8/1998	Iino	D14/434
D400,515 S *	11/1998	Shima	D14/433
D413,312 S *	8/1999	Suzuki	D14/434
D413,574 S *	9/1999	Goto	D13/146
D413,607 S *	9/1999	Lindahl	D14/253
D425,077 S *	5/2000	Hamilton	D14/253

(Continued)

Primary Examiner — Susan Moon Lee

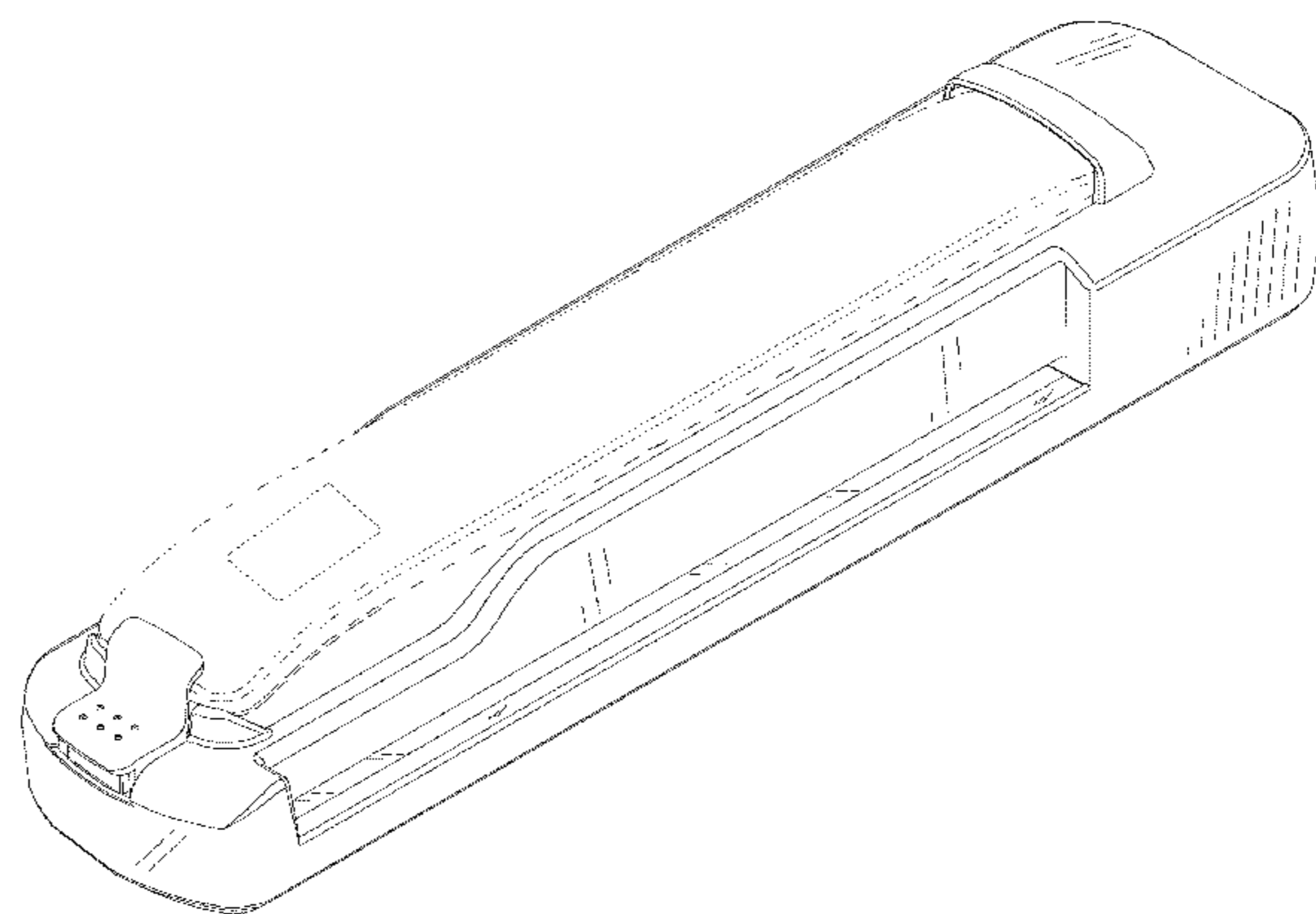
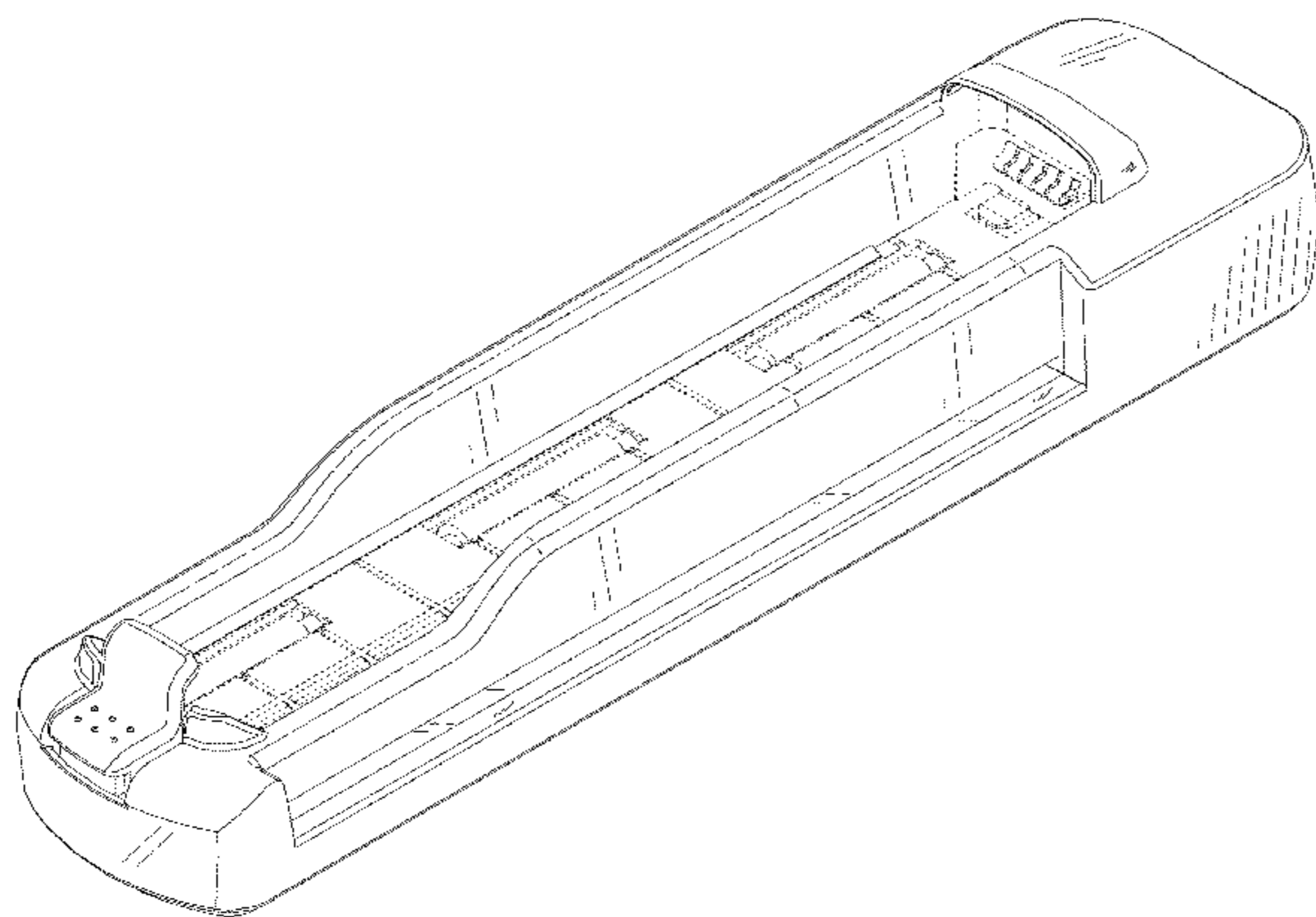
(57) **CLAIM**

The ornamental design for a scanner docking station, as shown and described.

DESCRIPTION

FIG. 1 is a front perspective view of a scanner docking station showing our new design;
FIG. 2 is a front elevation view thereof;
FIG. 3 is a rear elevation view thereof;
FIG. 4 is a left side view thereof;
FIG. 5 is a right side view thereof;
FIG. 6 is a top plan view thereof;
FIG. 7 is a bottom plan view thereof;
FIG. 8 is a rear perspective view of the scanner docking station; and,
FIG. 9 is a front perspective view of the scanner docking station with a handheld scanner docked thereon.
Broken lines and portions contained within broken lines are not claimed.

1 Claim, 9 Drawing Sheets



U.S. PATENT DOCUMENTS

D428,387	S *	7/2000	Malloy et al.	D13/107	D597,939	S *	8/2009	Tkachuk	D13/108
D430,882	S *	9/2000	Tsai	D14/434	D599,735	S *	9/2009	Amidei et al.	D13/107
D443,860	S *	6/2001	Ogasawara	D13/146	D602,938	S *	10/2009	Ward et al.	D14/434
D445,975	S *	7/2001	Stratford	D32/31	D604,236	S *	11/2009	Chen	D13/108
D448,385	S *	9/2001	Oross et al.	D14/434	7,623,182	B2 *	11/2009	Byrne et al.	348/375
D466,511	S *	12/2002	Croley et al.	D14/434	D618,689	S *	6/2010	Shimizu	D14/434
D472,896	S *	4/2003	Peiker	D14/253	D626,941	S *	11/2010	Andre et al.	D14/217
D479,523	S *	9/2003	Peiker	D14/253	D628,561	S *	12/2010	Andre et al.	D14/217
D487,897	S *	3/2004	Huang et al.	D14/434	D631,008	S *	1/2011	Kuroda et al.	D13/108
6,768,652	B2 *	7/2004	DeLuga	361/801	D634,271	S *	3/2011	Kessler et al.	D13/108
D496,332	S *	9/2004	Naito	D13/103	D635,978	S *	4/2011	Chen	D14/434
D504,893	S *	5/2005	Araki	D14/434	D638,788	S *	5/2011	Daniel	D13/108
D508,459	S *	8/2005	Yoshida	D13/108	D638,831	S *	5/2011	Paradise	D14/253
D515,029	S *	2/2006	Hattori	D13/108	D640,699	S *	6/2011	McParland	D14/434
D516,026	S *	2/2006	Barrett et al.	D13/108	D641,368	S *	7/2011	McParland	D14/434
D517,086	S *	3/2006	Siebel et al.	D14/453	D642,123	S *	7/2011	Joung	D13/108
D520,944	S *	5/2006	Morita	D13/108	D642,520	S *	8/2011	Chun et al.	D13/108
7,075,579	B2 *	7/2006	Whitby et al.	348/375	D642,979	S *	8/2011	Chun et al.	D13/108
D525,935	S *	8/2006	Hussaini et al.	D13/108	D644,208	S *	8/2011	Akana et al.	D14/217
D525,999	S *	8/2006	Matsuda	D16/242	D647,525	S *	10/2011	Seto	D14/434
D526,959	S *	8/2006	Maglica et al.	D13/108	D656,502	S *	3/2012	Cacioppo et al.	D14/453
7,145,603	B2 *	12/2006	Whitby et al.	348/375	D656,547	S *	3/2012	Cacioppo et al.	D19/65
D535,252	S *	1/2007	Sandnes	D13/108	D660,299	S *	5/2012	Vroom et al.	D14/434
D535,943	S *	1/2007	Kurihara	D13/108	D660,300	S *	5/2012	Vroom et al.	D14/434
D540,327	S *	4/2007	Wong et al.	D14/434	D660,301	S *	5/2012	Vroom et al.	D14/434
D543,936	S *	6/2007	Wada	D13/108	D660,302	S *	5/2012	Vroom et al.	D14/434
D544,899	S *	6/2007	Li et al.	D16/242	D660,303	S *	5/2012	Vroom et al.	D14/434
D552,615	S *	10/2007	Kuroiwa et al.	D14/447	D660,304	S *	5/2012	Vroom et al.	D14/434
D555,589	S *	11/2007	Hussaini et al.	D13/108	D661,647	S *	6/2012	Chen	D13/108
D563,867	S *	3/2008	Ahlgren	D13/107	D664,919	S *	8/2012	Brandys et al.	D13/107
D575,350	S *	8/2008	Ashida et al.	D21/333	D665,381	S *	8/2012	Akana et al.	D14/217
D584,313	S *	1/2009	Pittel et al.	D14/434	D669,476	S *	10/2012	Vroom et al.	D14/434
D594,407	S *	6/2009	Chon et al.	D13/108	D669,851	S *	10/2012	Ikegame	D13/108
D595,722	S *	7/2009	Miyawaki	D14/447	2010/0245659	A1 *	9/2010	Nam	348/372
D597,079	S *	7/2009	Andre et al.	D14/217					

* cited by examiner

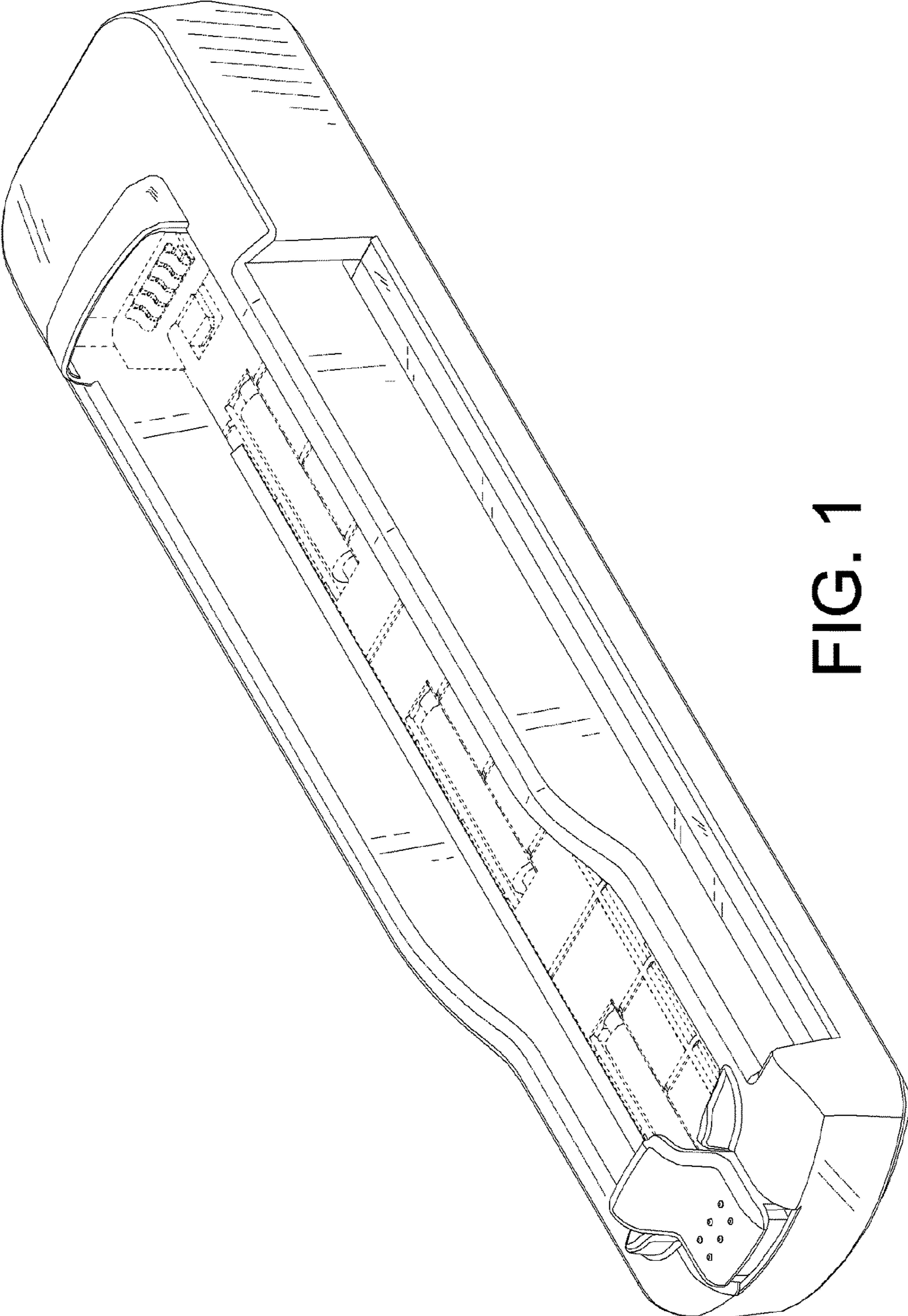


FIG. 1

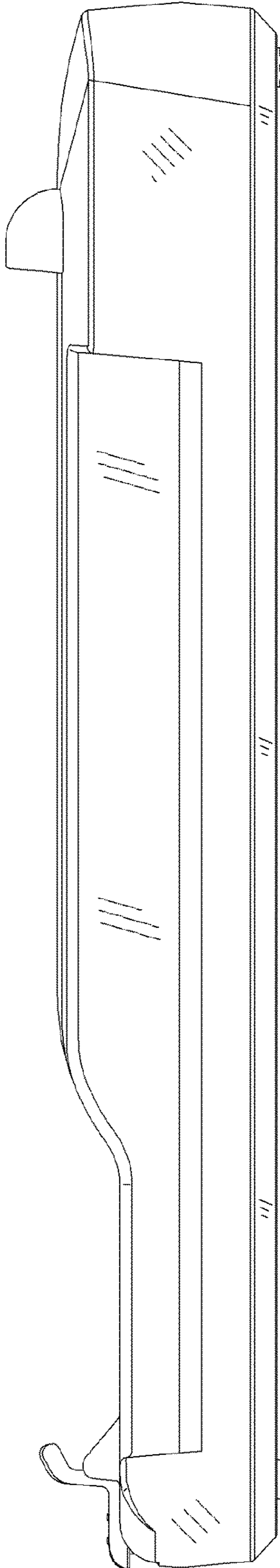


FIG. 2

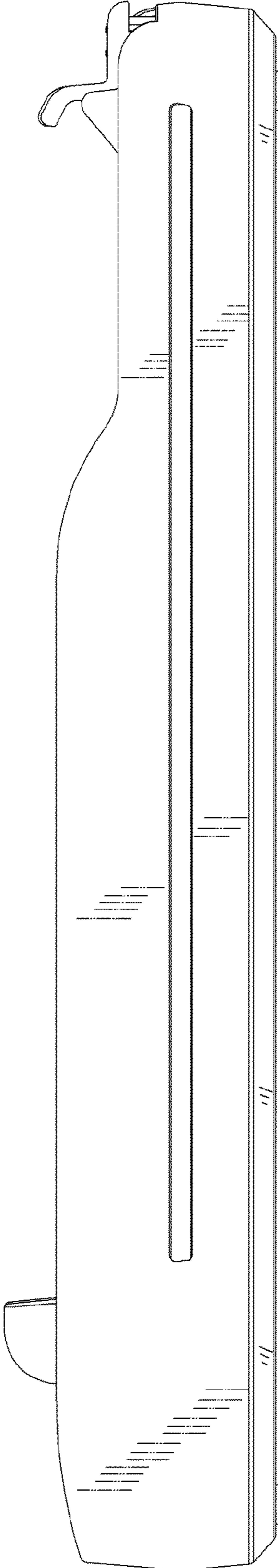


FIG. 3

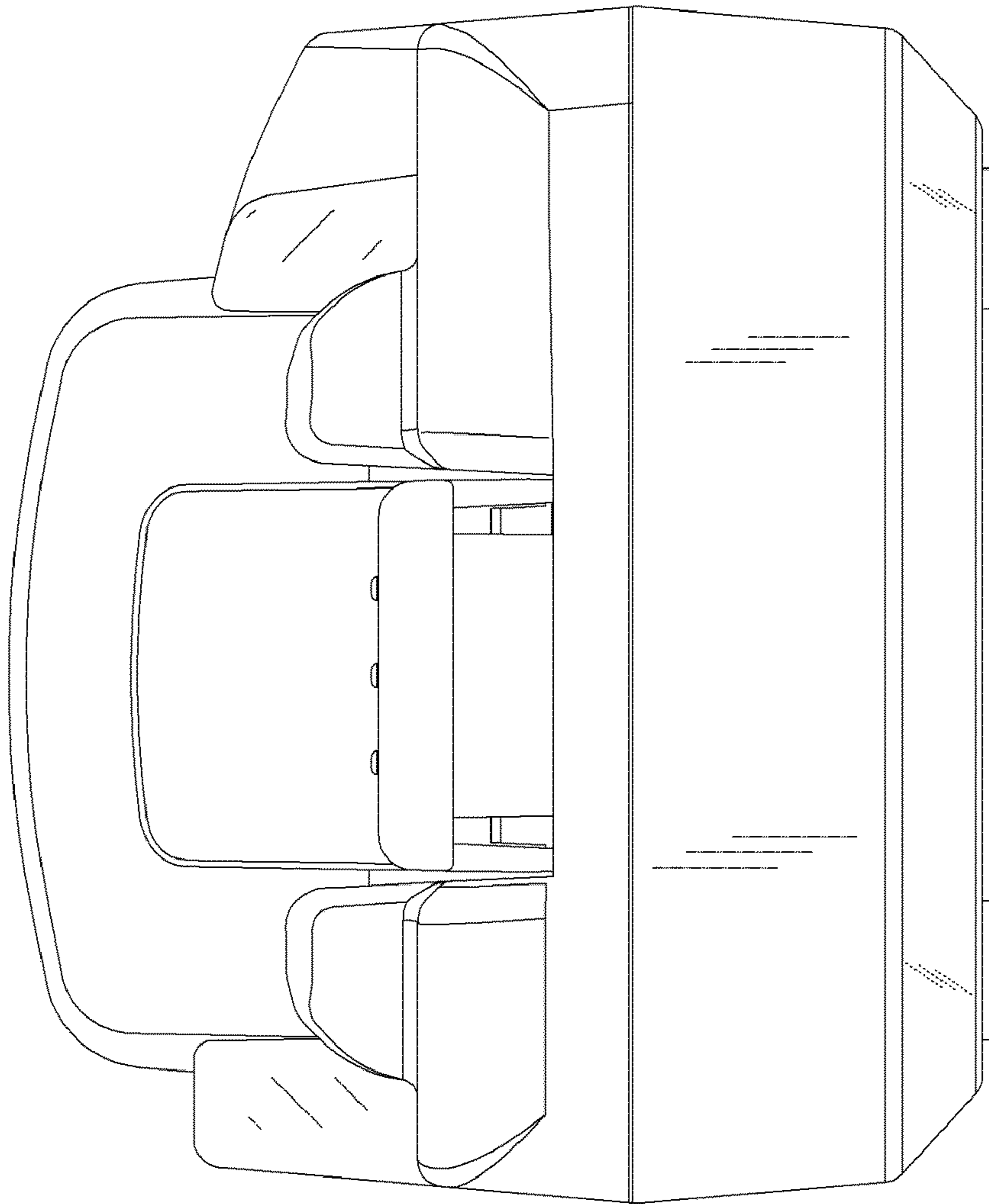


FIG. 4

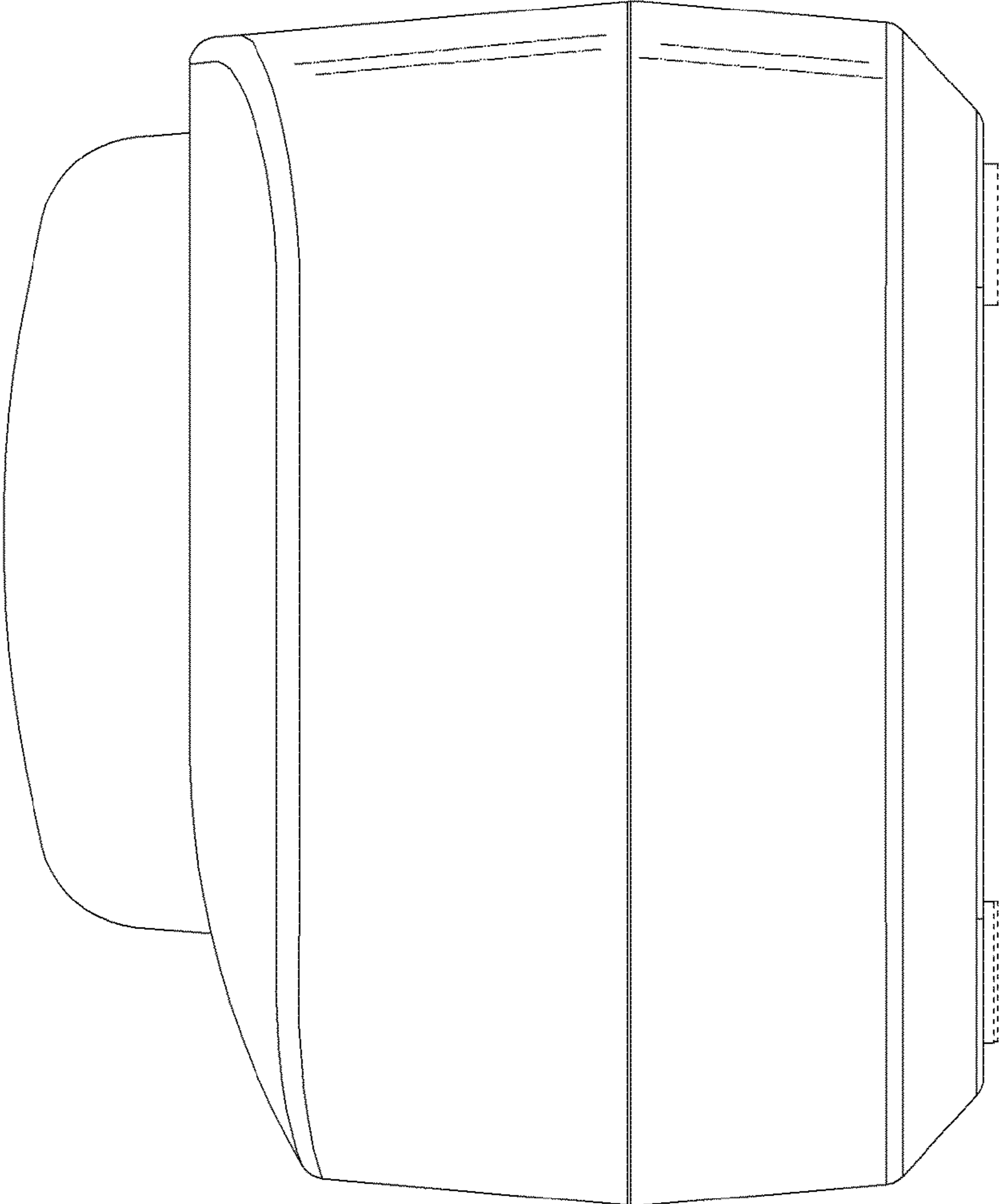


FIG. 5

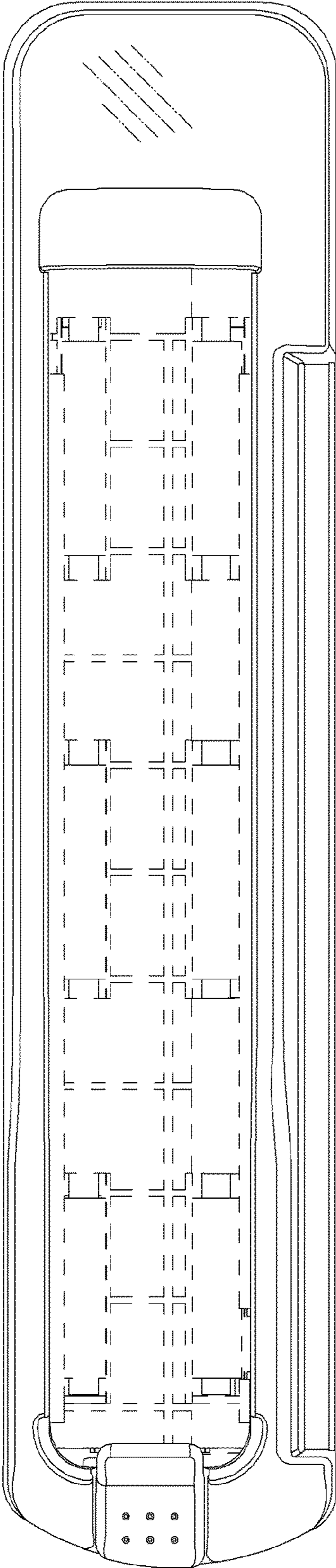


FIG. 6

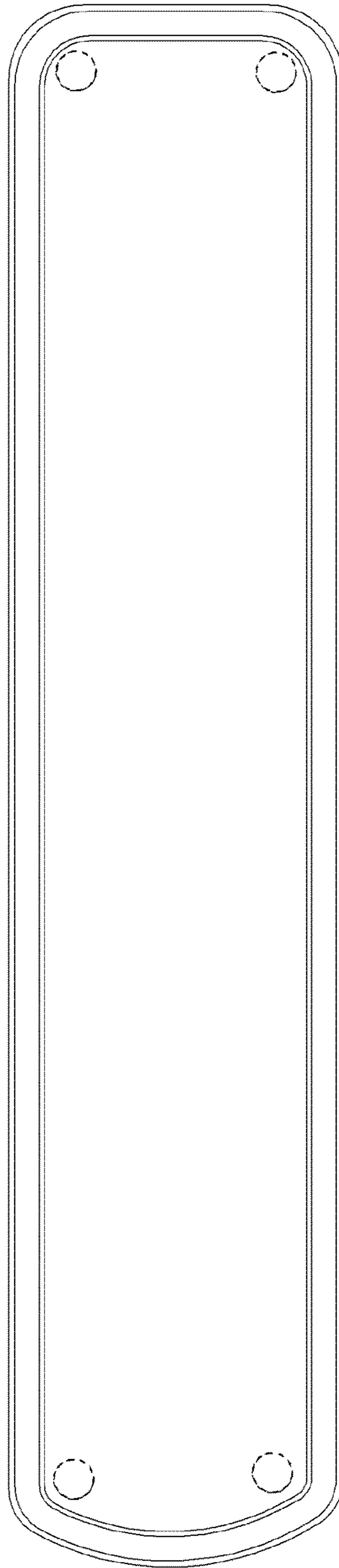


FIG. 7

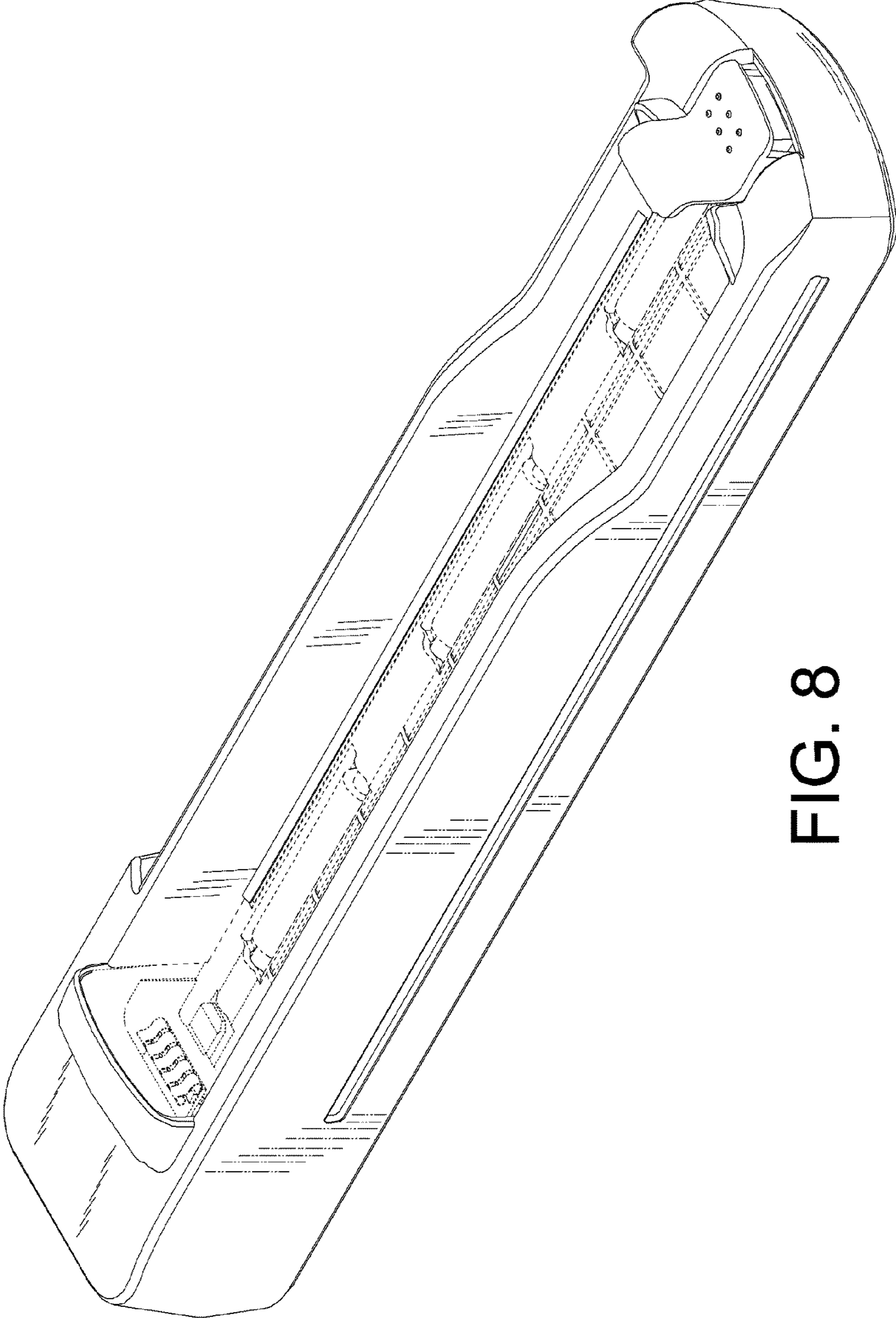


FIG. 8

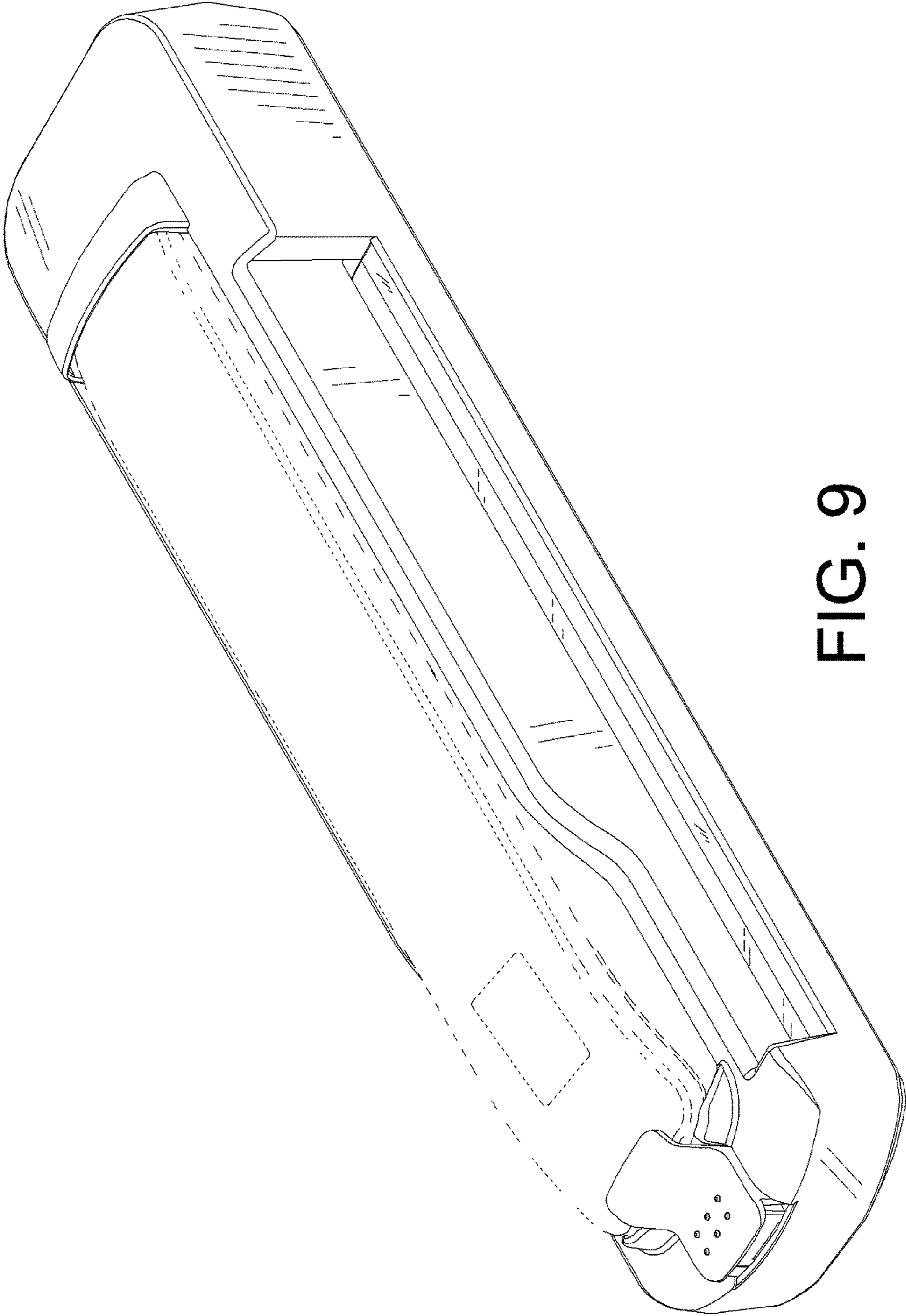


FIG. 9