



US00D678886S

(12) **United States Design Patent**  
**Heckler**

(10) **Patent No.:** **US D678,886 S**  
(45) **Date of Patent:** **\*\* Mar. 26, 2013**

(54) **SECURE ENCLOSURE STAND FOR TABLET COMPUTERS**

(75) Inventor: **Dean Christopher Heckler**, Tempe, AZ (US)

(73) Assignee: **Dean Christopher Heckler**, Tempe, AZ (US)

(\*\*) Term: **14 Years**

(21) Appl. No.: **29/426,153**

(22) Filed: **Jul. 1, 2012**

(51) **LOC (9) Cl.** ..... **08-07**

(52) **U.S. Cl.** ..... **D14/447**

(58) **Field of Classification Search** ..... D14/447, D14/448, 451, 452, 440, 432, 434, 439, 457, D14/238.1, 217, 251, 252, 253, 239, 250; D6/406.3, 406.4, 406.5, 406.6; 361/679.09, 361/679.26, 679.27, 679.28, 679.29, 679.3, 361/679.55, 679.56; 248/917-924, 133, 248/136, 139, 150, 176.1, 188.6, 288.31; D13/108

See application file for complete search history.

(56) **References Cited**

**U.S. PATENT DOCUMENTS**

D557,698 S \* 12/2007 Lye ..... D14/447

D558,774 S \* 1/2008 Najima ..... D14/447  
D573,598 S \* 7/2008 Chu ..... D14/447  
7,828,260 B2 \* 11/2010 Hauser et al. .... 248/456  
D639,286 S \* 6/2011 Mohoney ..... D14/250  
D644,230 S \* 8/2011 Lin ..... D14/447  
8,056,871 B2 \* 11/2011 Matias ..... 248/176.1  
D650,783 S \* 12/2011 Ausfeld et al. .... D14/434  
D656,500 S \* 3/2012 Maruyama et al. .... D14/447  
8,230,992 B2 \* 7/2012 Law et al. .... 206/320  
D667,012 S \* 9/2012 Chen et al. .... D14/447  
2011/0149510 A1 \* 6/2011 Monsalve et al. .... 361/679.55  
2012/0224316 A1 \* 9/2012 Shulenberger ..... 361/679.09

\* cited by examiner

*Primary Examiner* — Angela J Lee

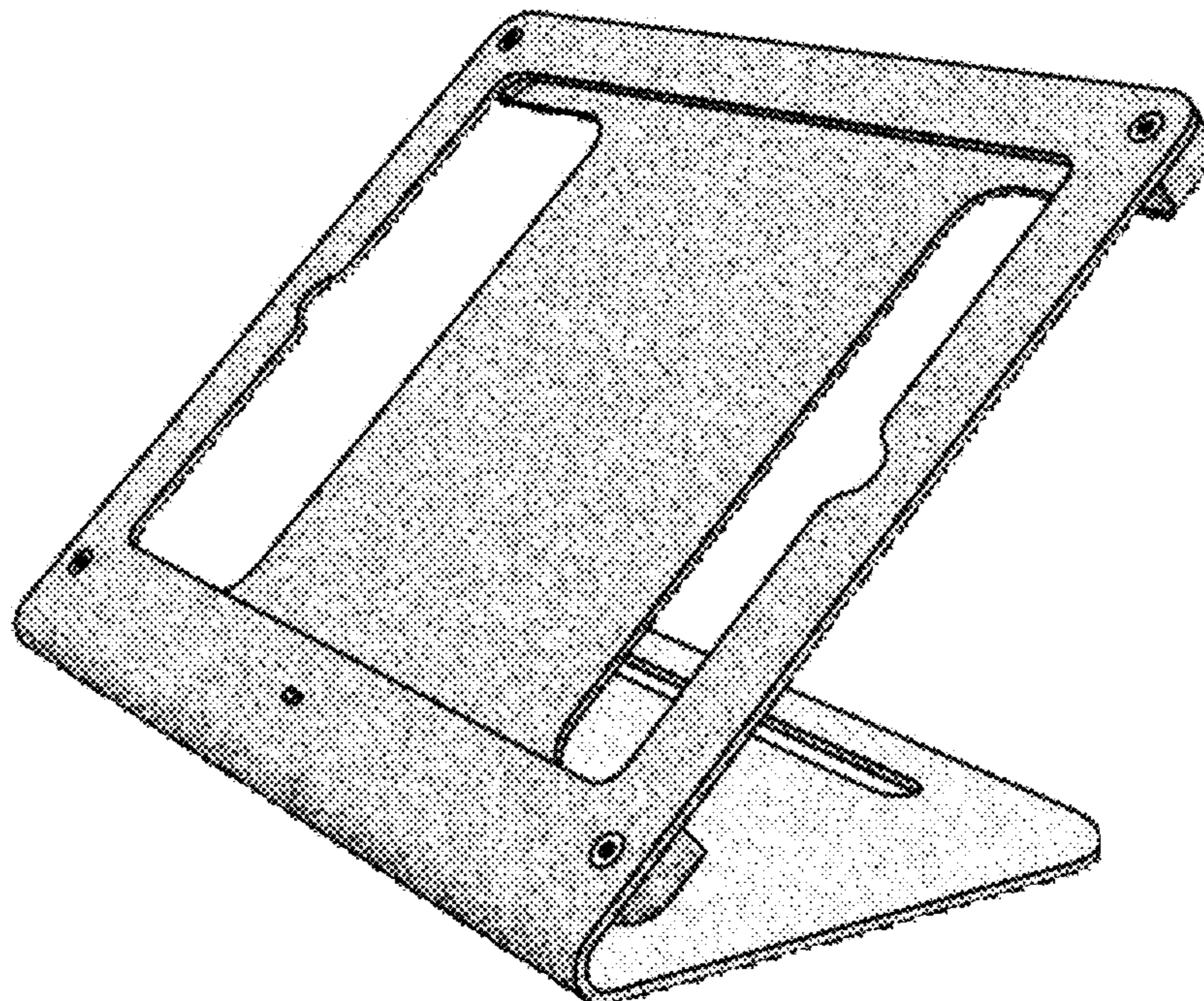
(57) **CLAIM**

The ornamental design for a secure enclosure stand for tablet computers, as shown and described.

**DESCRIPTION**

FIG. 1 is a front elevational view of a secure enclosure stand for tablet computers showing my new design; FIG. 2 is a right elevational view thereof, the right side elevational view is a mirror image of the left side; FIG. 3 is a rear side elevational view thereof; FIG. 4 is a bottom plan view thereof; and, FIG. 5 is a front perspective view thereof.

**1 Claim, 1 Drawing Sheet**



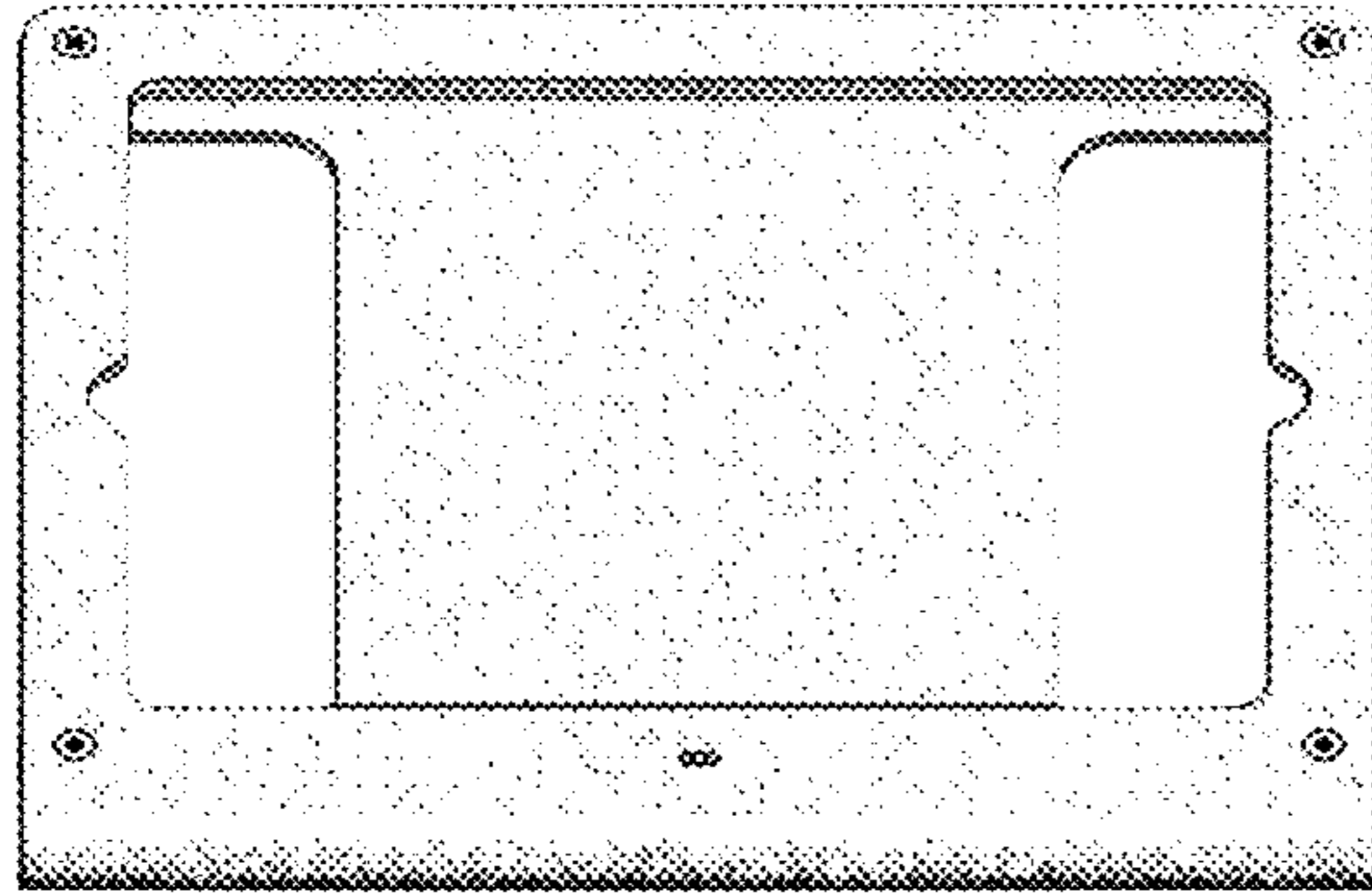


FIG 1

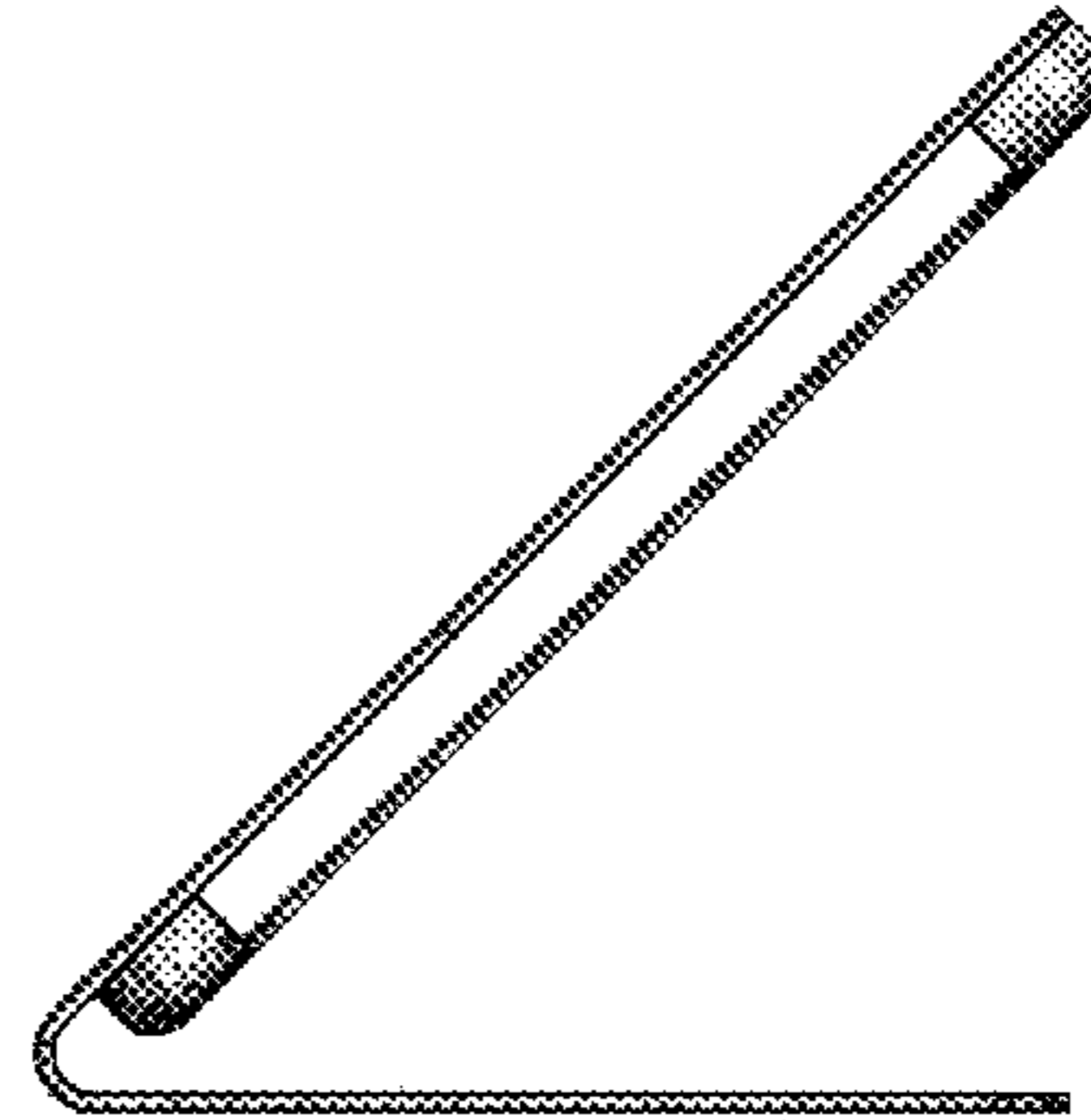


FIG 2

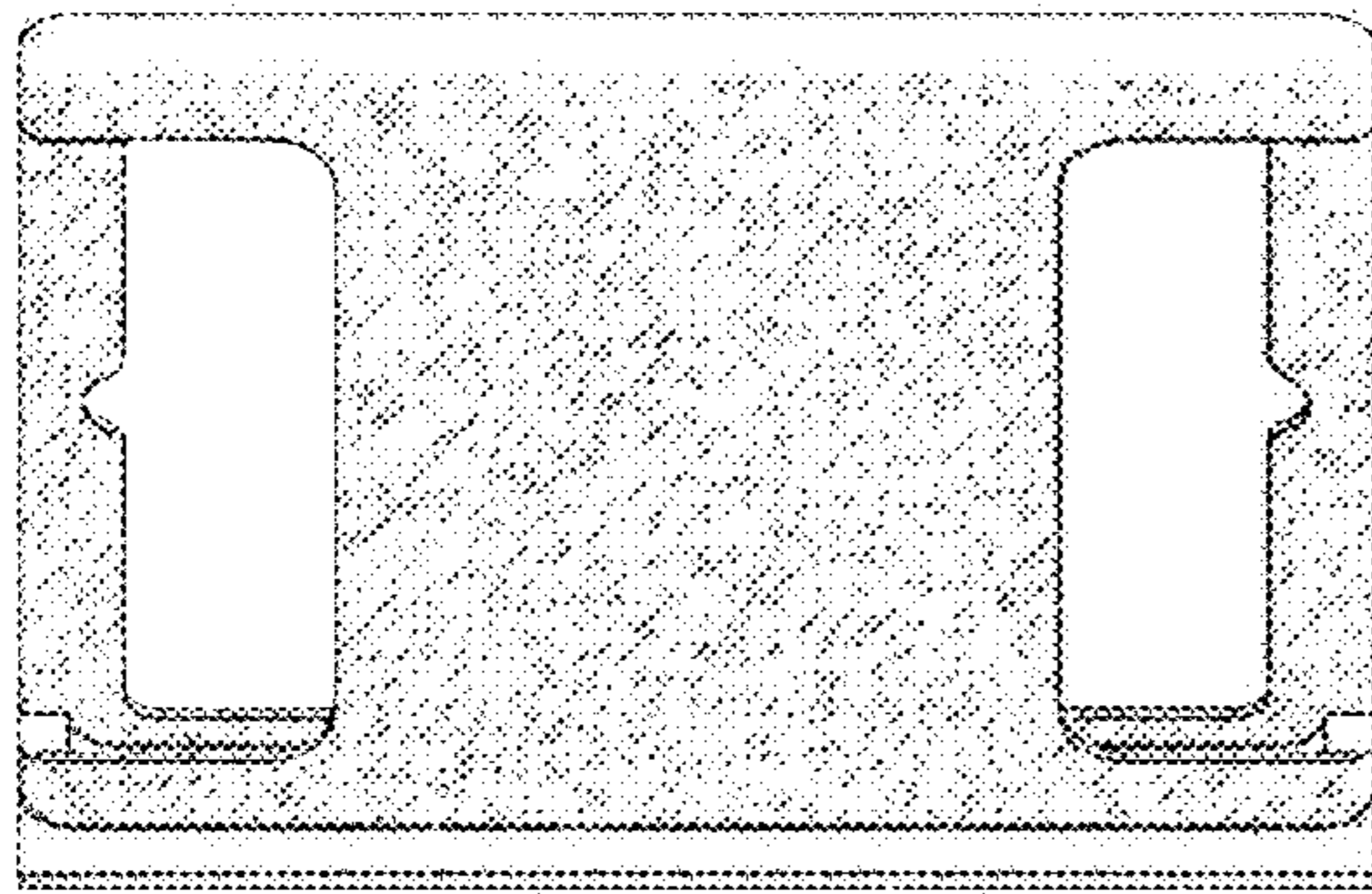


FIG 3

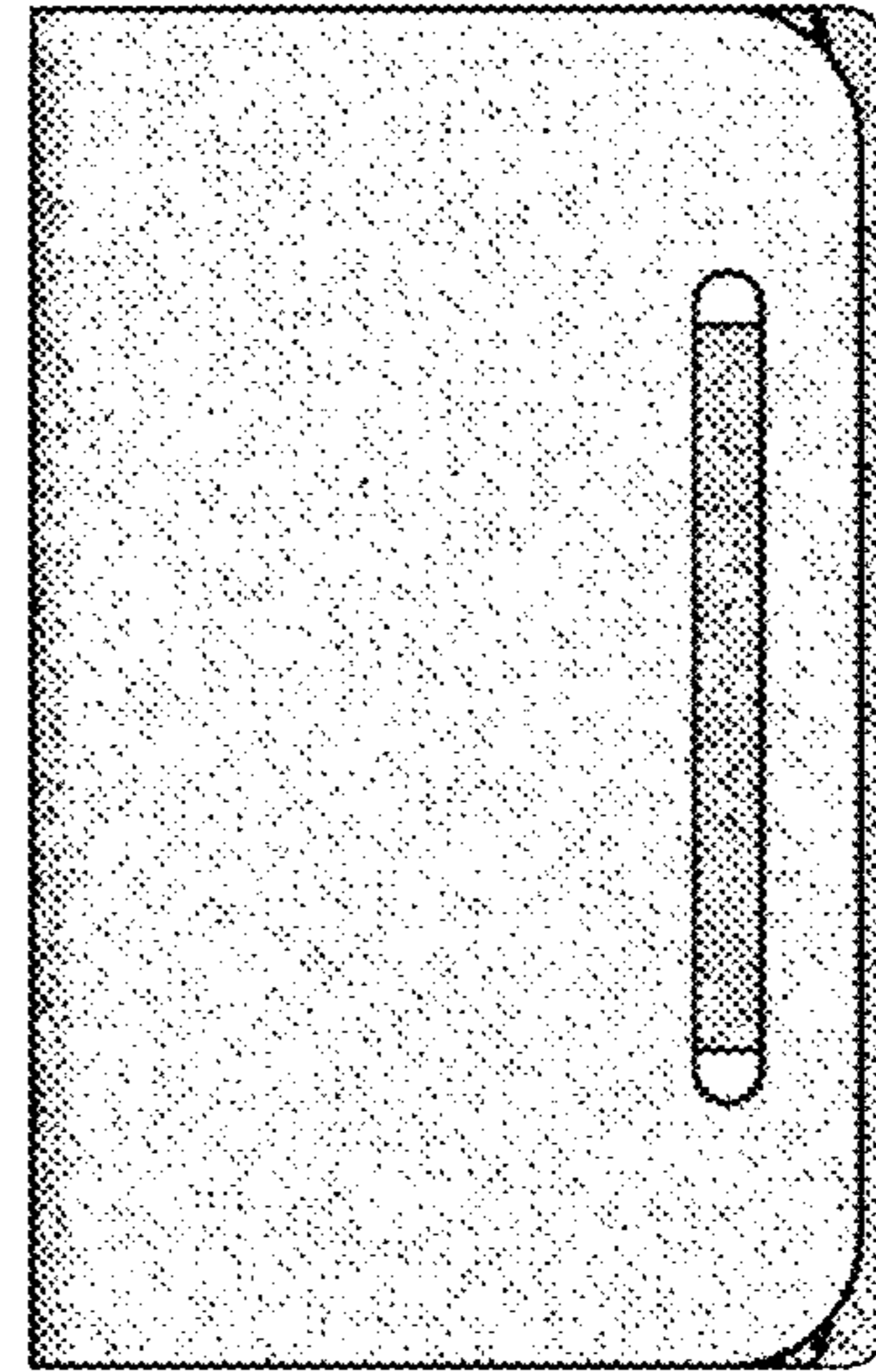


FIG 4

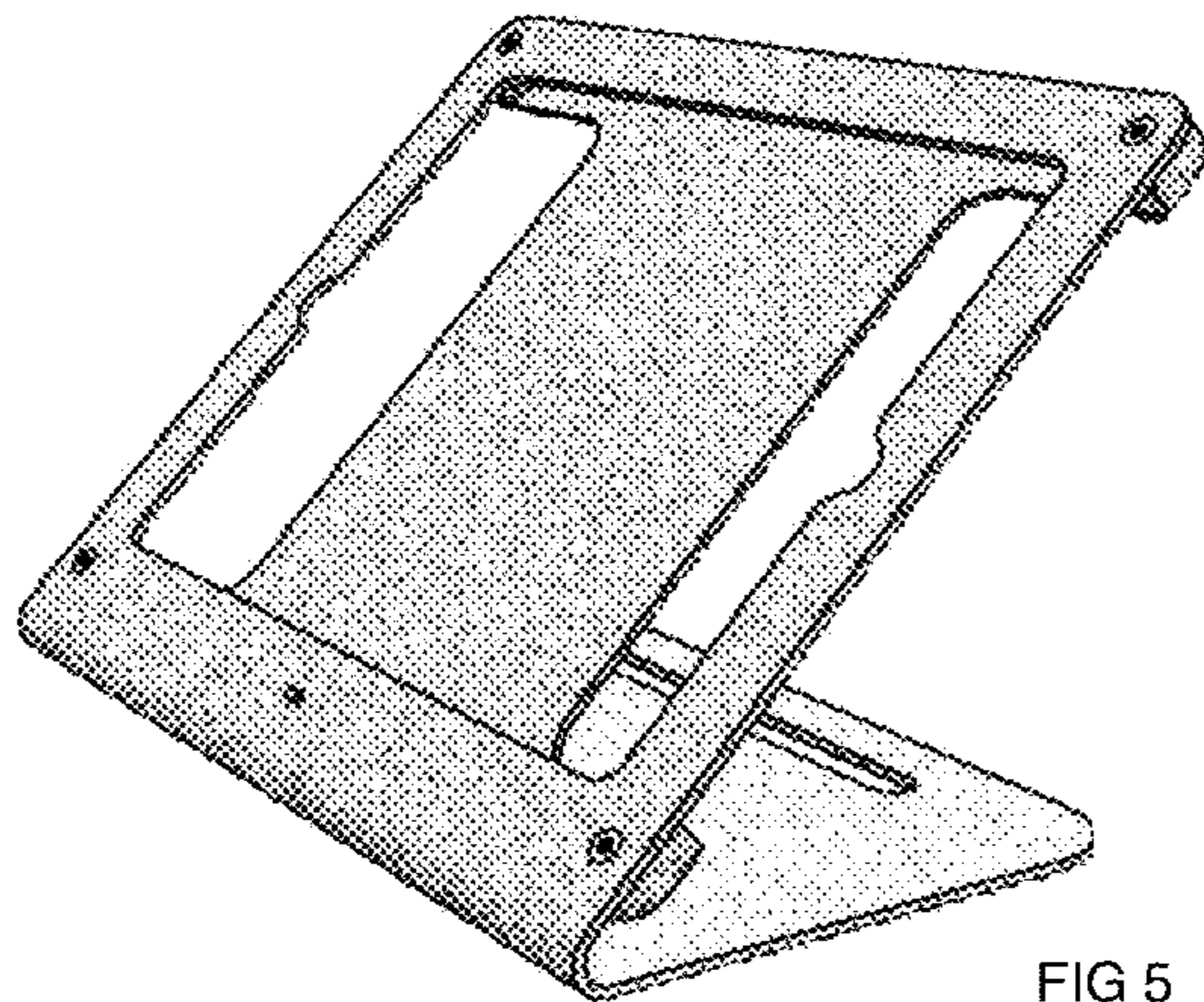


FIG 5