



US00D678879S

(12) **United States Design Patent**  
**Chiu**

(10) **Patent No.:** **US D678,879 S**  
(45) **Date of Patent:** **\*\* Mar. 26, 2013**

- (54) **DISPLAY**
- (75) Inventor: **Yi-Chung Chiu**, Taoyuan (TW)
- (73) Assignee: **Hannspree, Inc.**, New Taipei (TW)
- (\*\*) Term: **14 Years**
- (21) Appl. No.: **29/418,240**
- (22) Filed: **Apr. 13, 2012**
- (51) **LOC (9) Cl.** ..... **14-02**
- (52) **U.S. Cl.** ..... **D14/371**
- (58) **Field of Classification Search** ..... D14/371-375,  
D14/125-129, 336, 337; 341/12; 345/104,  
345/156, 168, 173; 348/180, 184, 325, 739;  
349/1, 2, 11, 62; 361/679.05-679.07, 679.21;  
D6/300, 308  
See application file for complete search history.

- D595,715 S \* 7/2009 Hasegawa et al. .... D14/374
- D620,461 S \* 7/2010 Han et al. .... D14/126
- D634,722 S \* 3/2011 Kim et al. .... D14/126

\* cited by examiner

*Primary Examiner* — Freda S Nunn  
(74) *Attorney, Agent, or Firm* — Schmeiser Olsen & Watts  
LLP

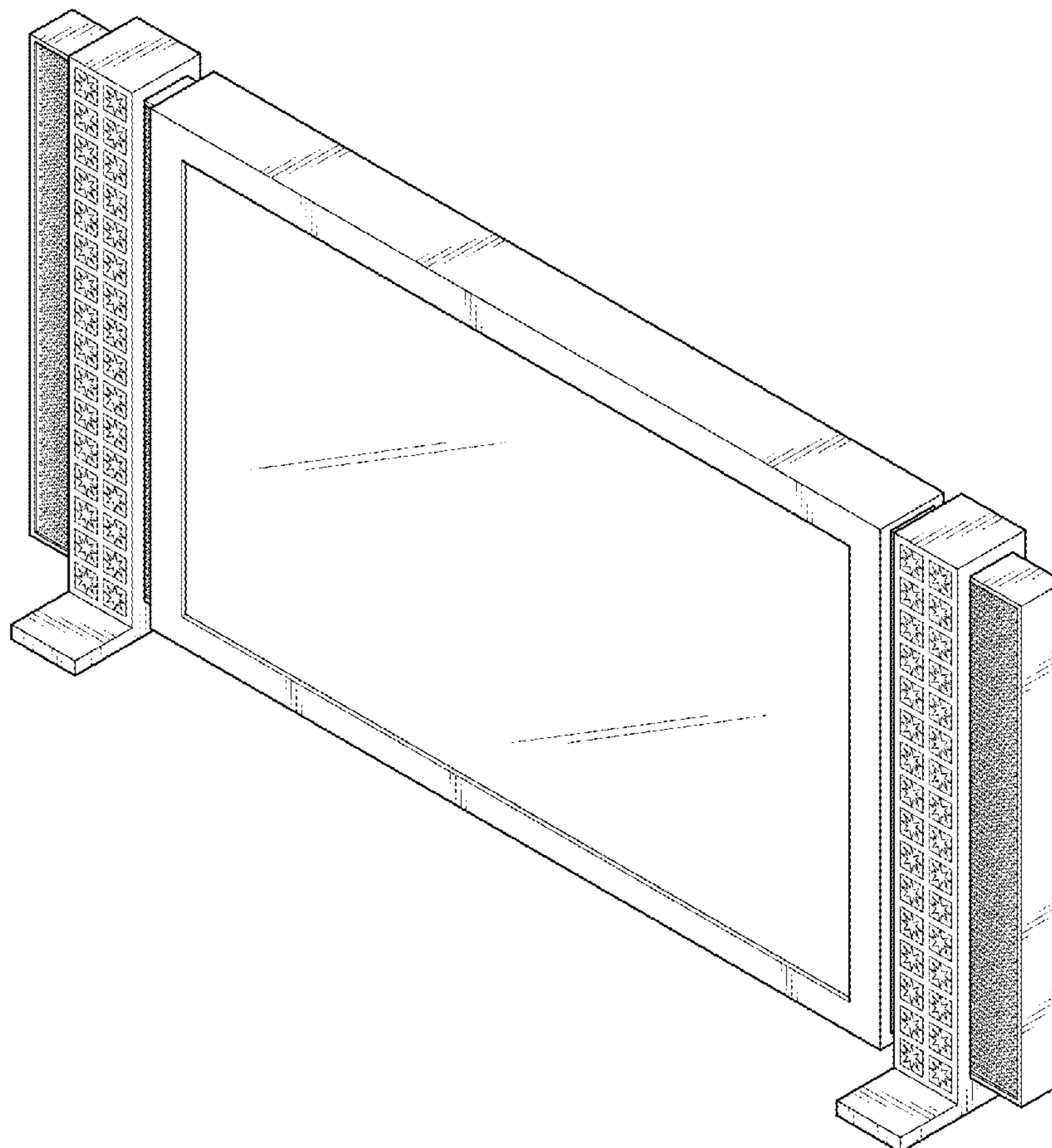
(57) **CLAIM**  
The ornamental design for a display, as shown and described.

**DESCRIPTION**

FIG. 1 is a front perspective view of display showing my new design;  
FIG. 2 is a front elevational view thereof ;  
FIG. 3 is a rear elevational view thereof;  
FIG. 4 is a left side elevational view thereof;  
FIG. 5 is a right side elevational view thereof;  
FIG. 6 is a top plan view thereof; and,  
FIG. 7 is a bottom plan view thereof.

- (56) **References Cited**  
**U.S. PATENT DOCUMENTS**  
D504,688 S \* 5/2005 Lin et al. .... D14/375  
D545,279 S \* 6/2007 Bloem ..... D14/126  
D580,934 S \* 11/2008 Hasegawa et al. .... D14/371

**1 Claim, 7 Drawing Sheets**



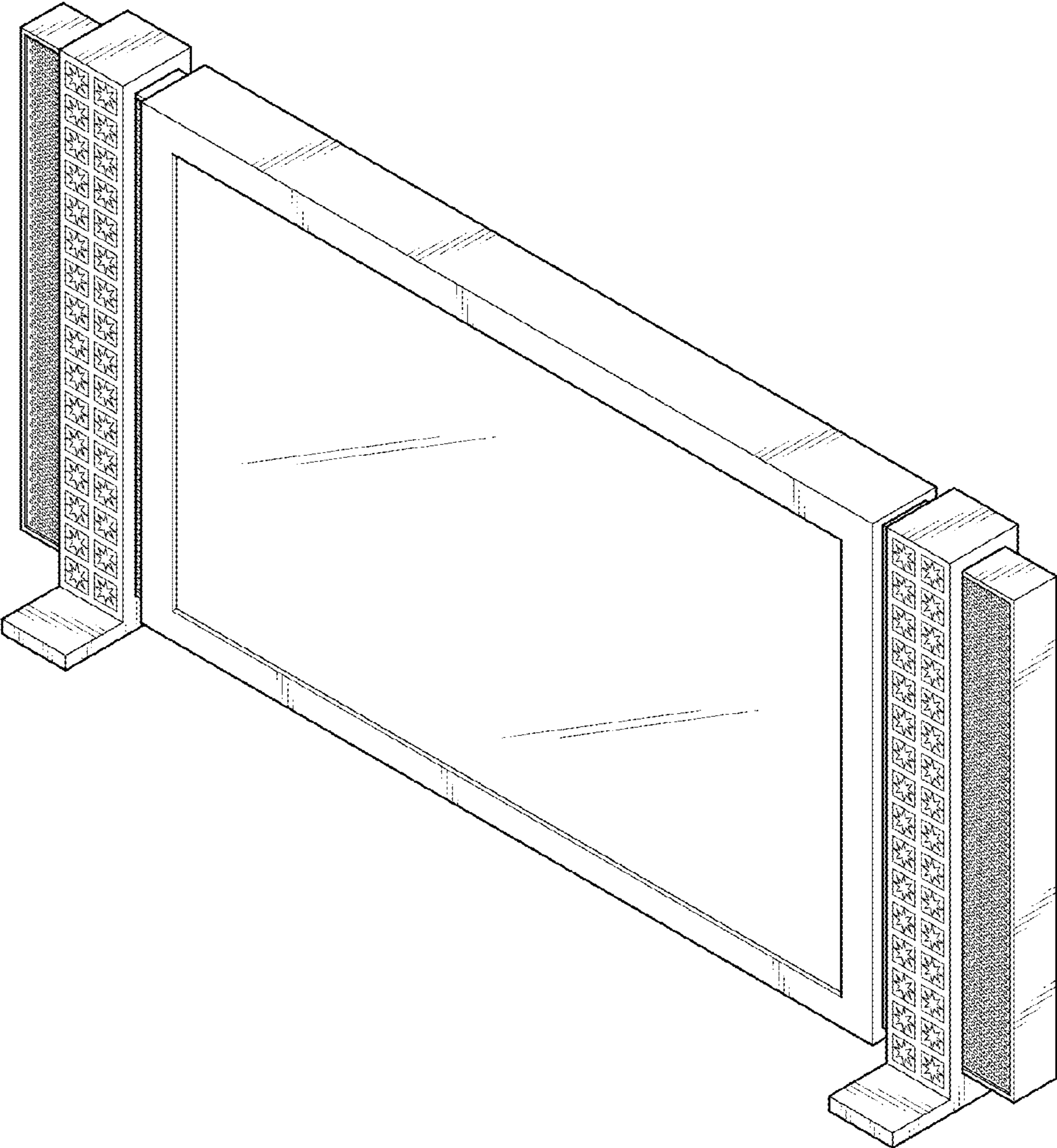


FIG. 1

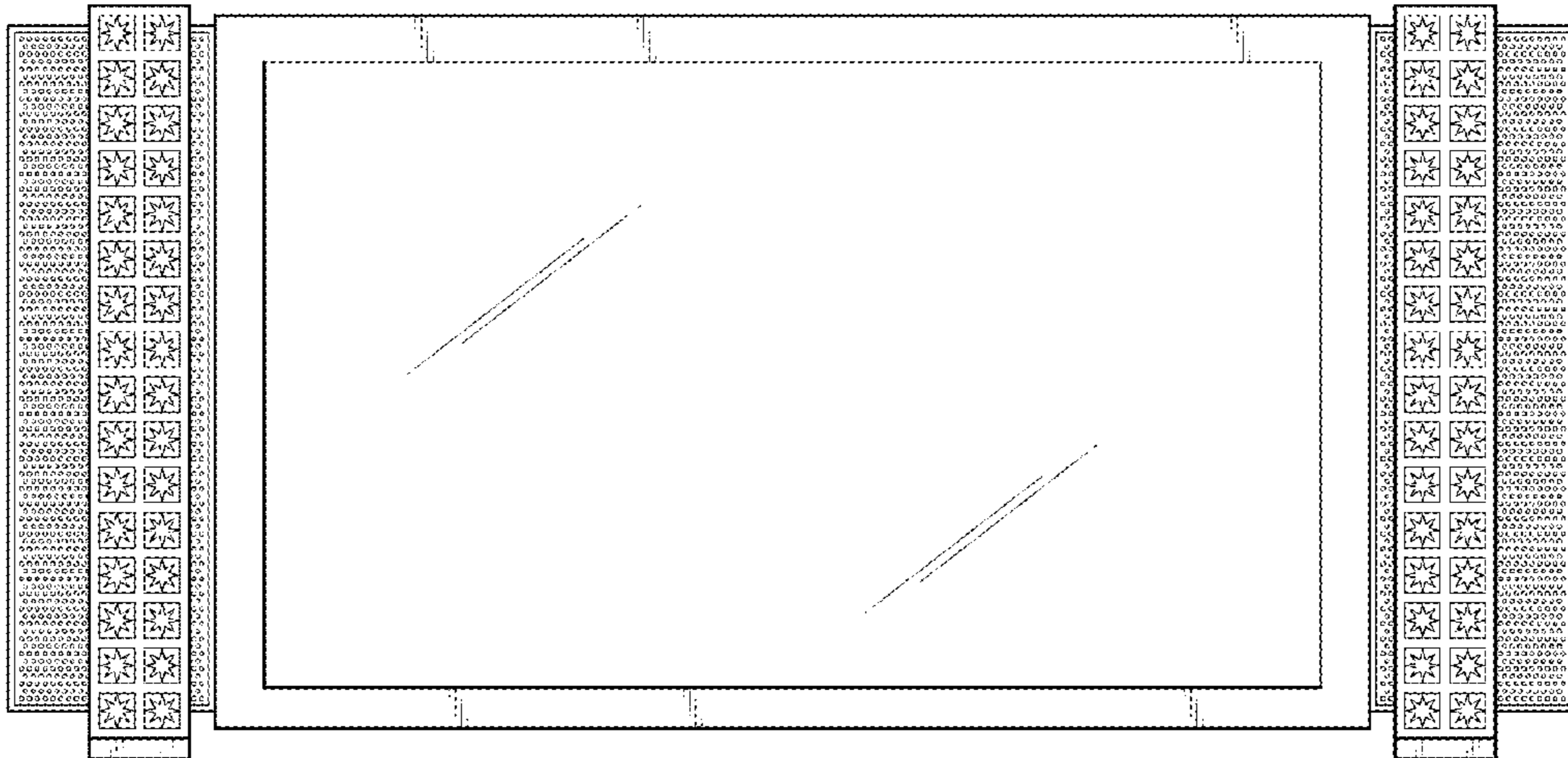


FIG. 2

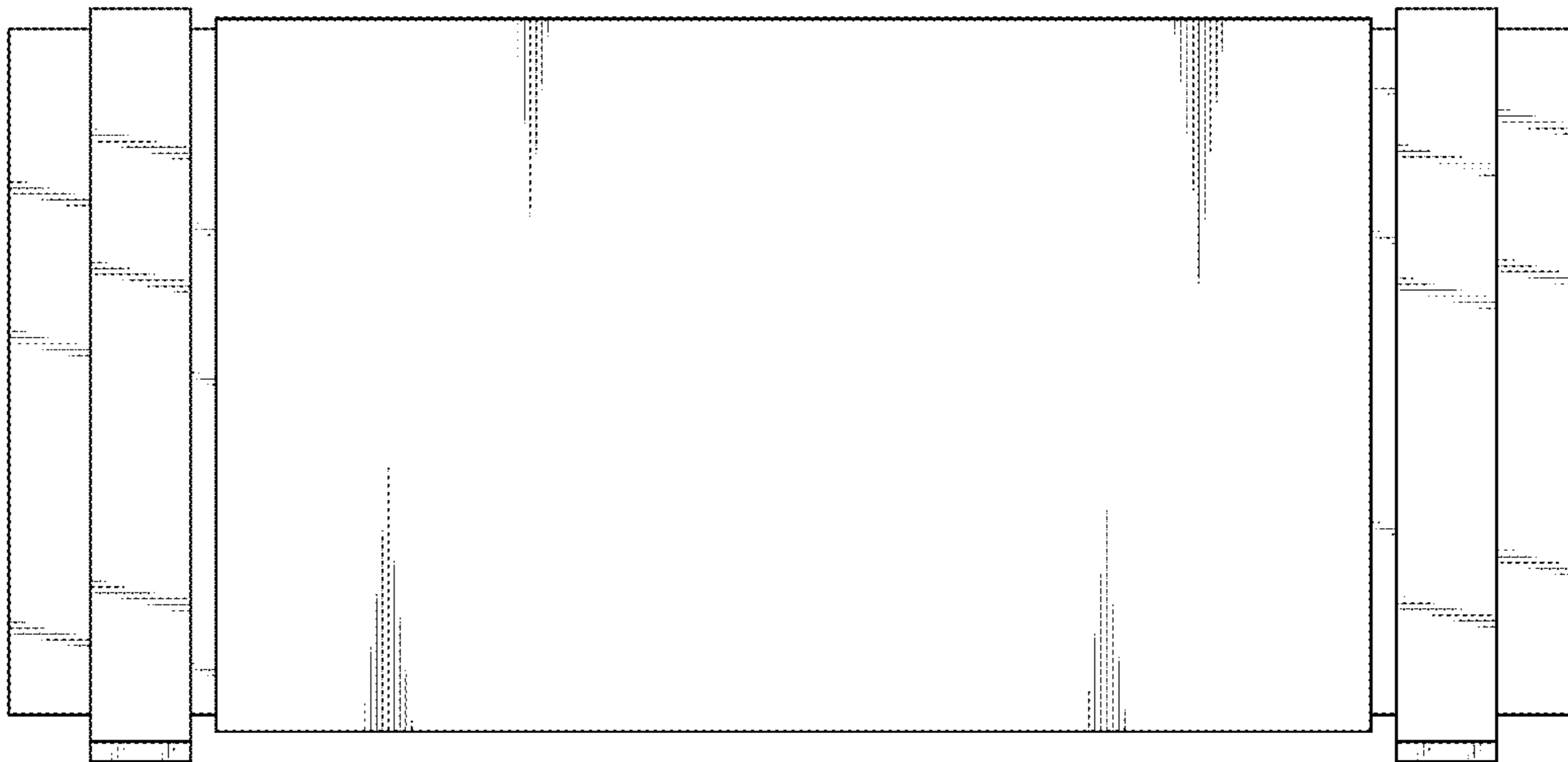


FIG.3

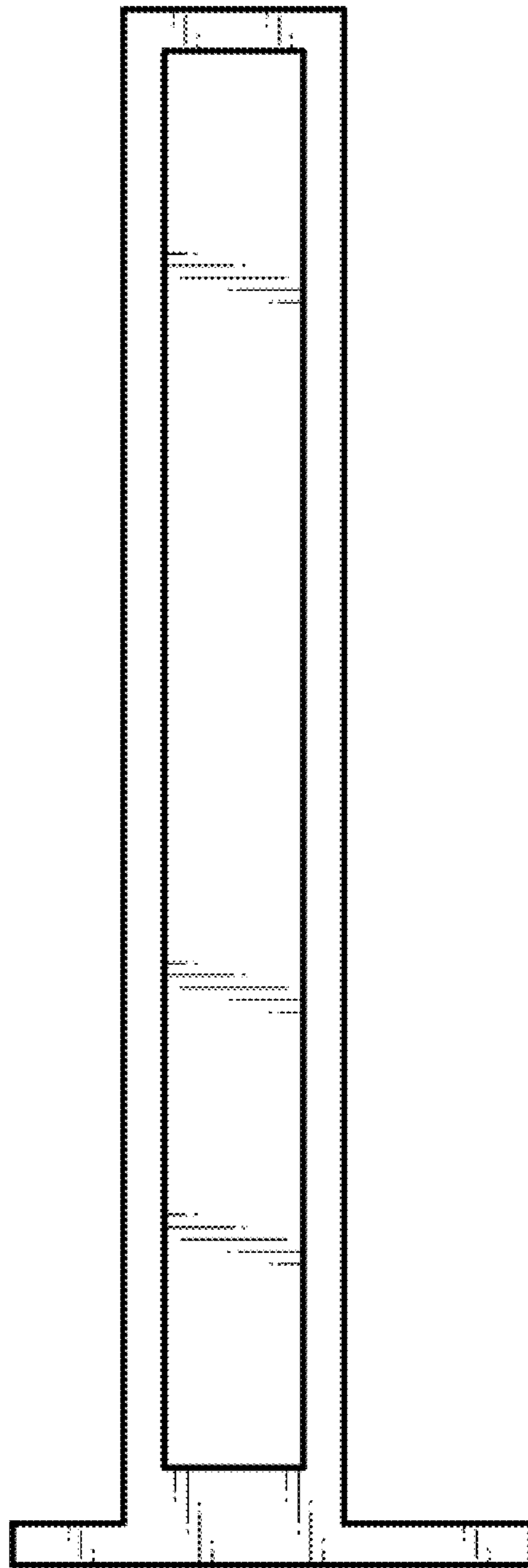


FIG. 4

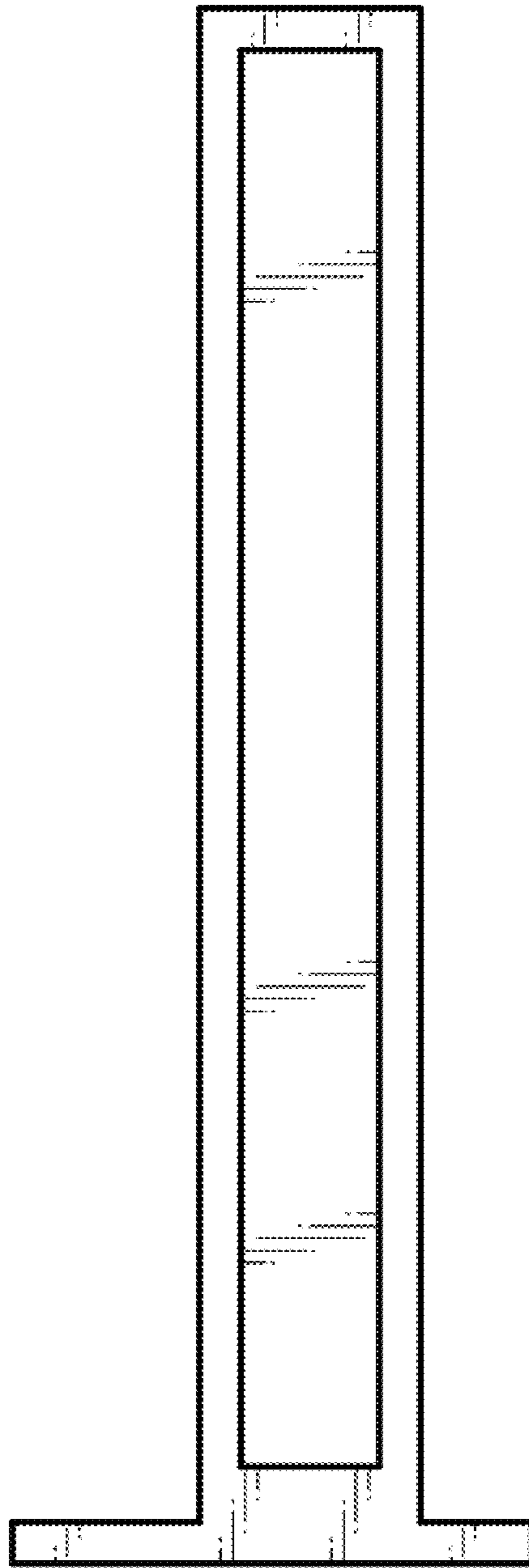


FIG. 5

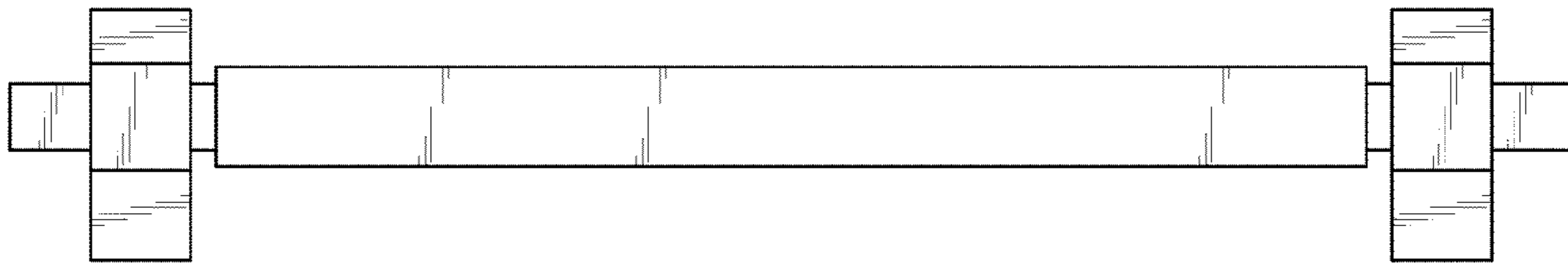


FIG.6

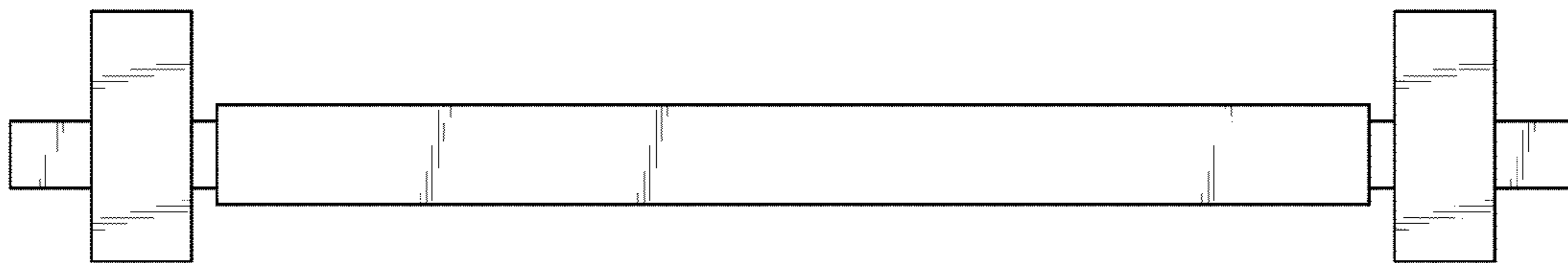


FIG.7