



US00D678878S

(12) **United States Design Patent**
Chiu

(10) **Patent No.:** **US D678,878 S**
(45) **Date of Patent:** **** Mar. 26, 2013**

(54) **DISPLAY**

(75) Inventor: **Yi-Chung Chiu**, Taoyuan (TW)

(73) Assignee: **Hannspree, Inc.**, New Taipei (TW)

(**) Term: **14 Years**

(21) Appl. No.: **29/418,232**

(22) Filed: **Apr. 13, 2012**

(51) **LOC (9) Cl.** **14-02**

(52) **U.S. Cl.** **D14/371**

(58) **Field of Classification Search** D14/371-375,
D14/125-129, 336, 337; 341/12; 345/104,
345/156, 168, 173; 348/180, 184, 325, 739;
349/1, 2, 11, 62; 361/679.05-679.07, 679.21;
D6/300, 308

See application file for complete search history.

(56) **References Cited**

U.S. PATENT DOCUMENTS

D504,688 S * 5/2005 Lin et al. D14/375
D545,279 S * 6/2007 Bloem D14/126
D580,934 S * 11/2008 Hasegawa et al. D14/371

D595,715 S * 7/2009 Hasegawa et al. D14/374
D620,461 S * 7/2010 Han et al. D14/126
D634,722 S * 3/2011 Kim et al. D14/126

* cited by examiner

Primary Examiner — Freda S Nunn

(74) *Attorney, Agent, or Firm* — Schmeiser Olsen & Watts
LLP

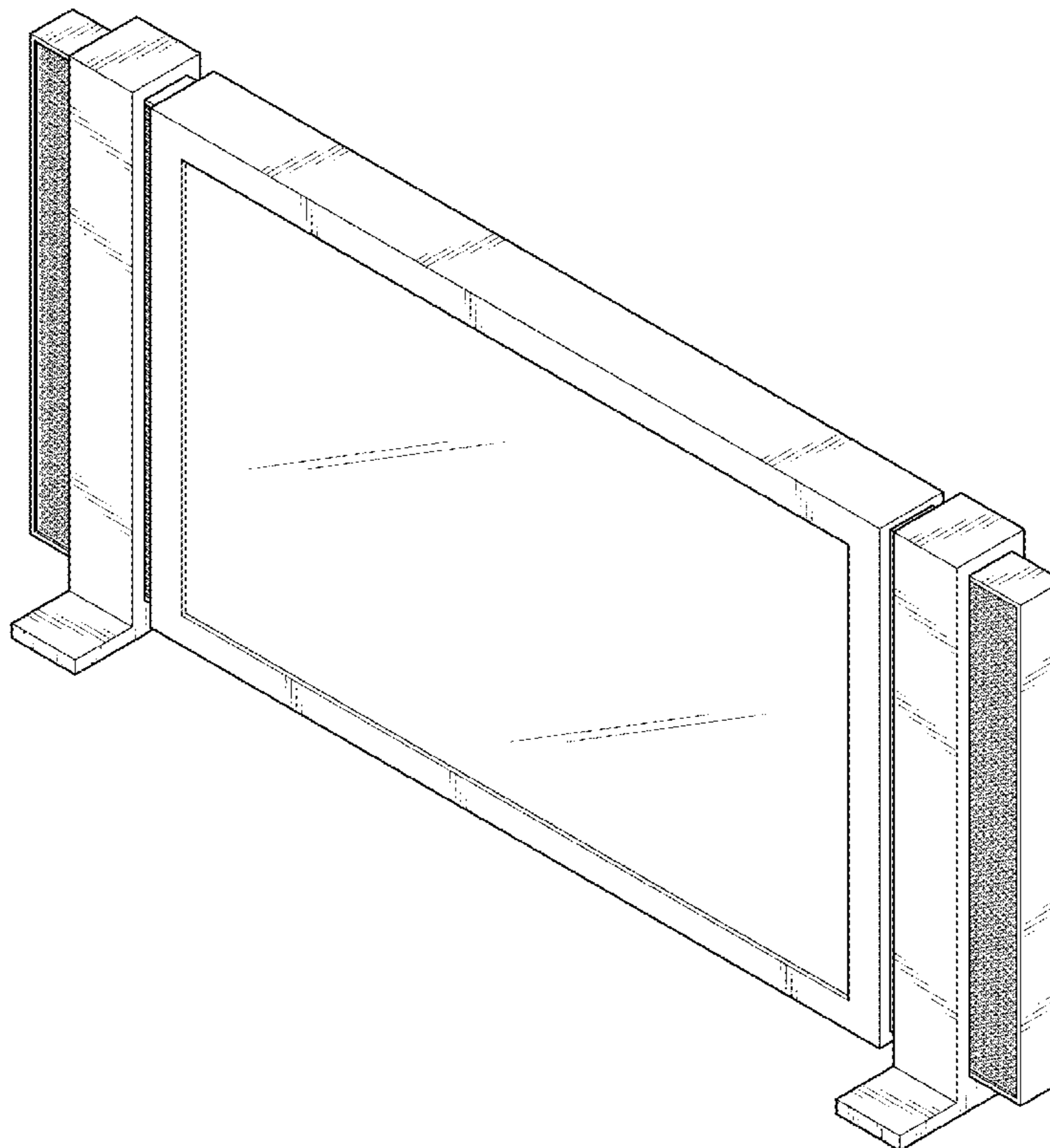
(57) **CLAIM**

The ornamental design for a display, as shown and described.

DESCRIPTION

FIG. 1 is a front perspective view of display showing my new design;
FIG. 2 is a front elevational view thereof;
FIG. 3 is a rear elevational view thereof;
FIG. 4 is a left side elevational view thereof;
FIG. 5 is a right side elevational view thereof;
FIG. 6 is a top plan view thereof; and,
FIG. 7 is a bottom plan view thereof.

1 Claim, 7 Drawing Sheets



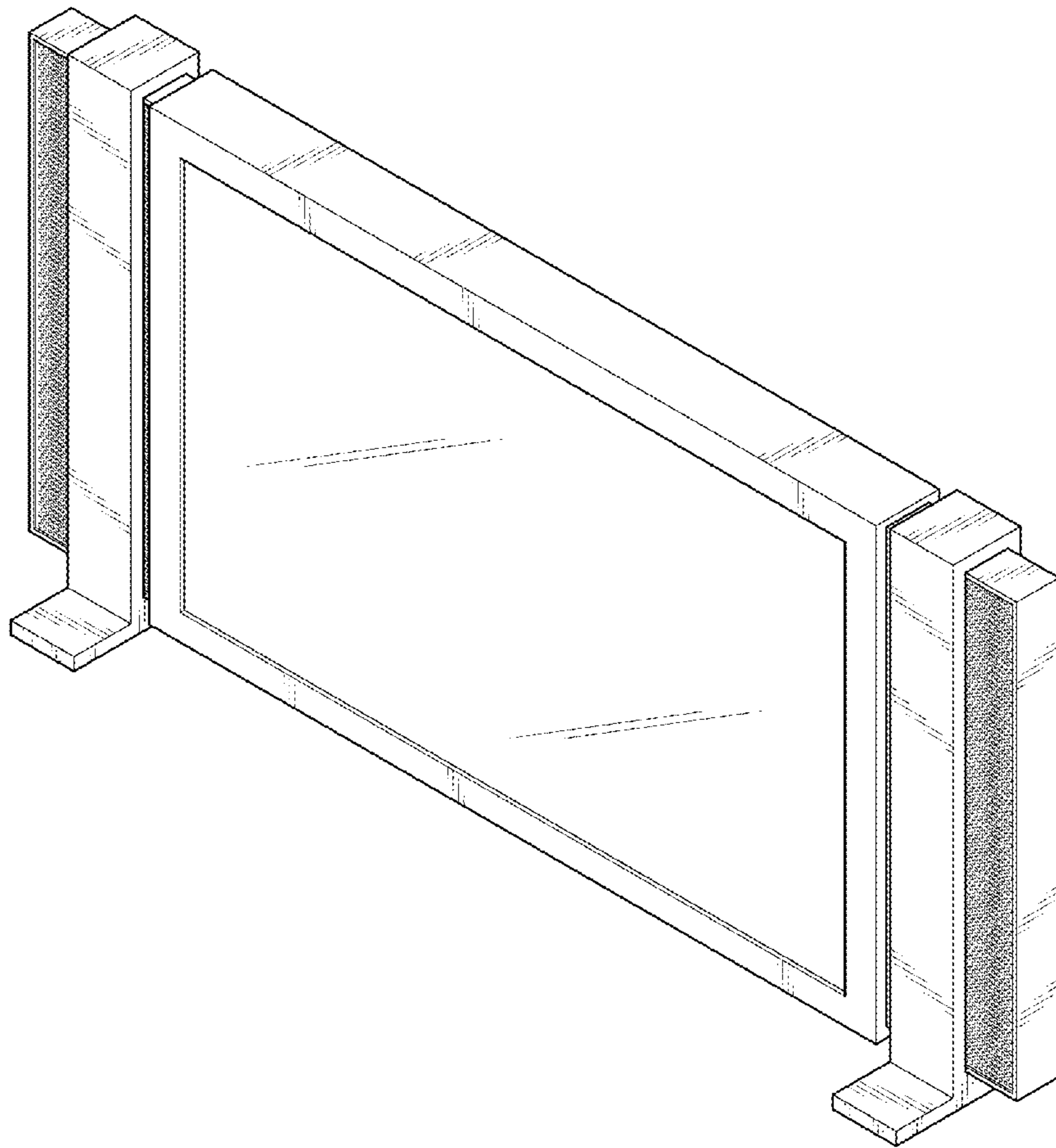


FIG.1

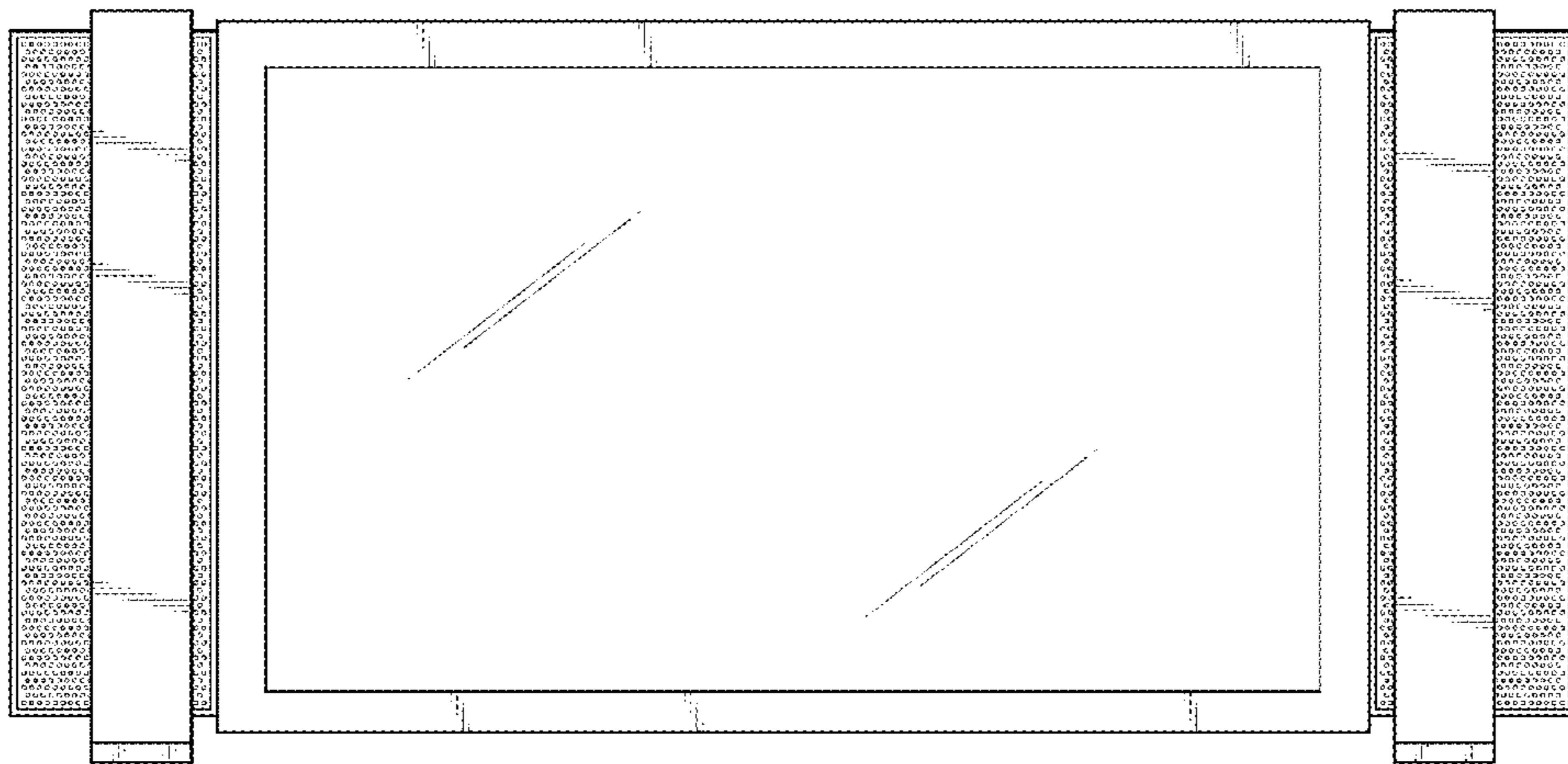


FIG.2

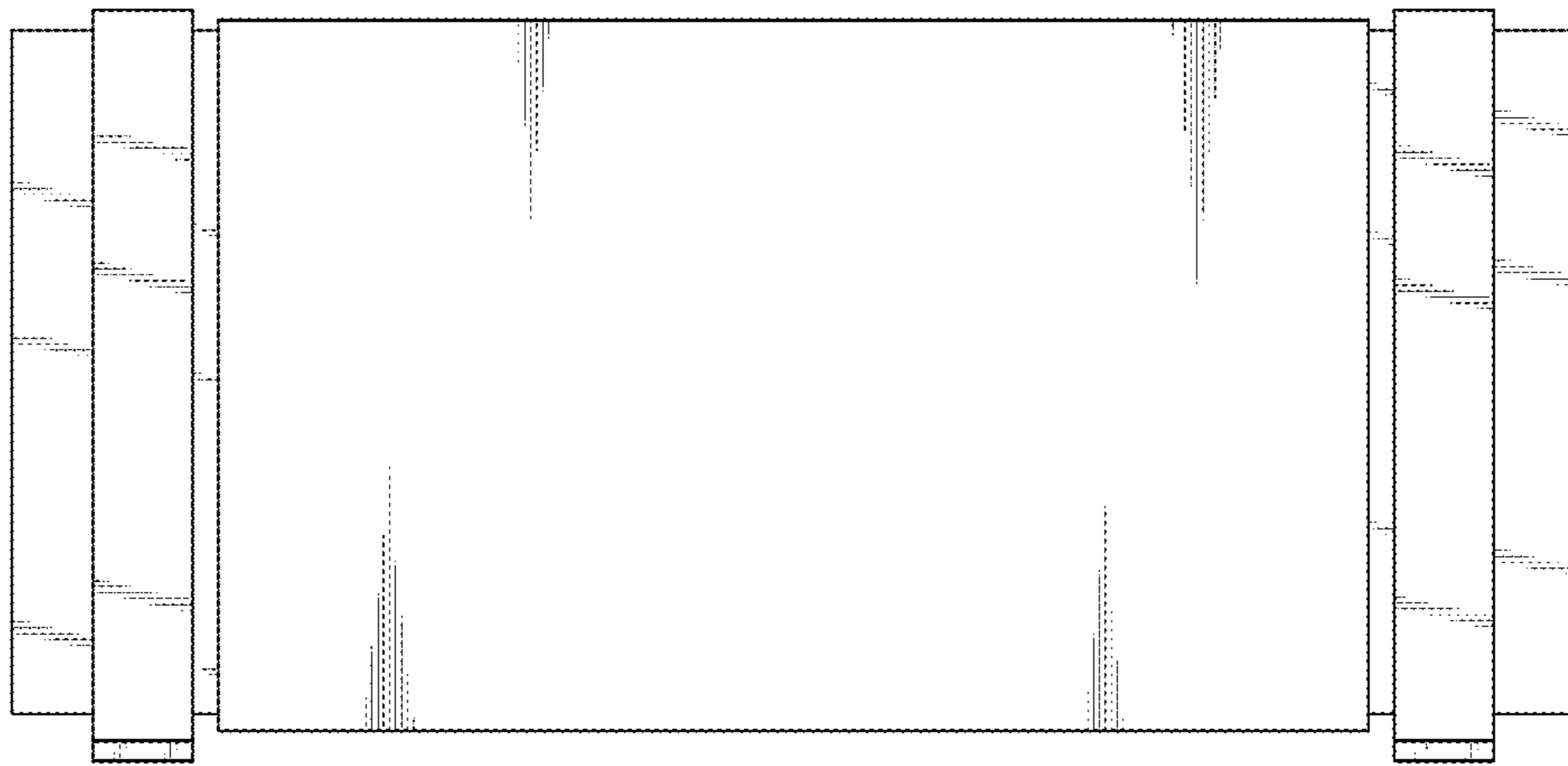


FIG.3

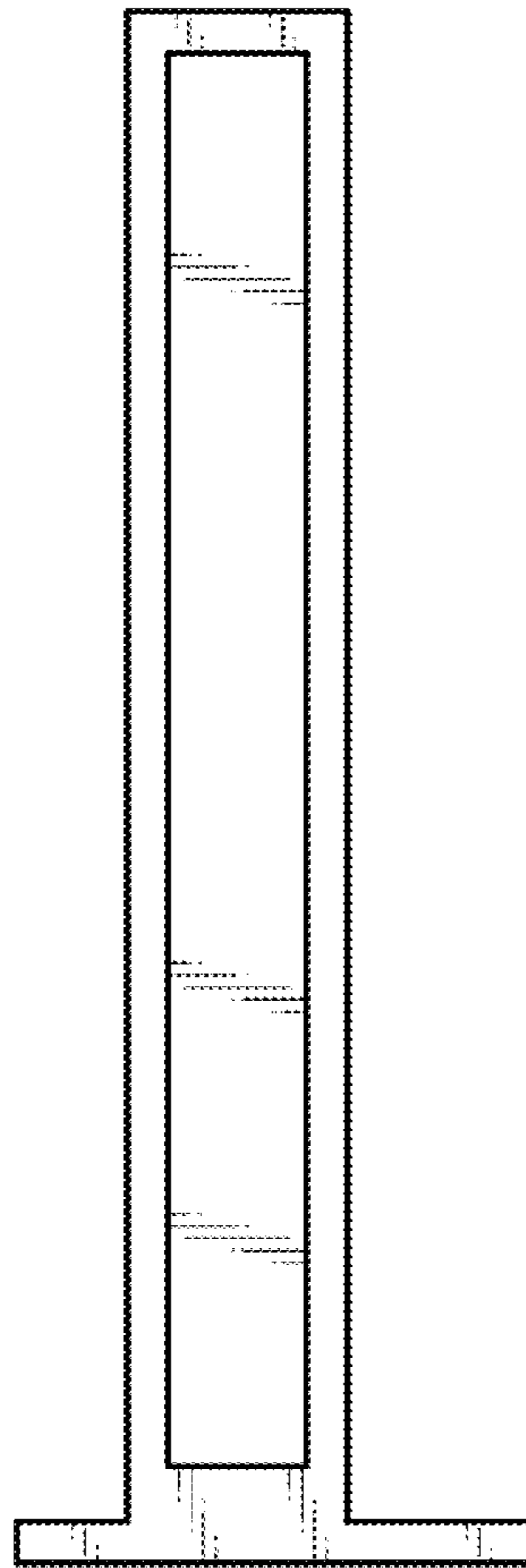


FIG. 4

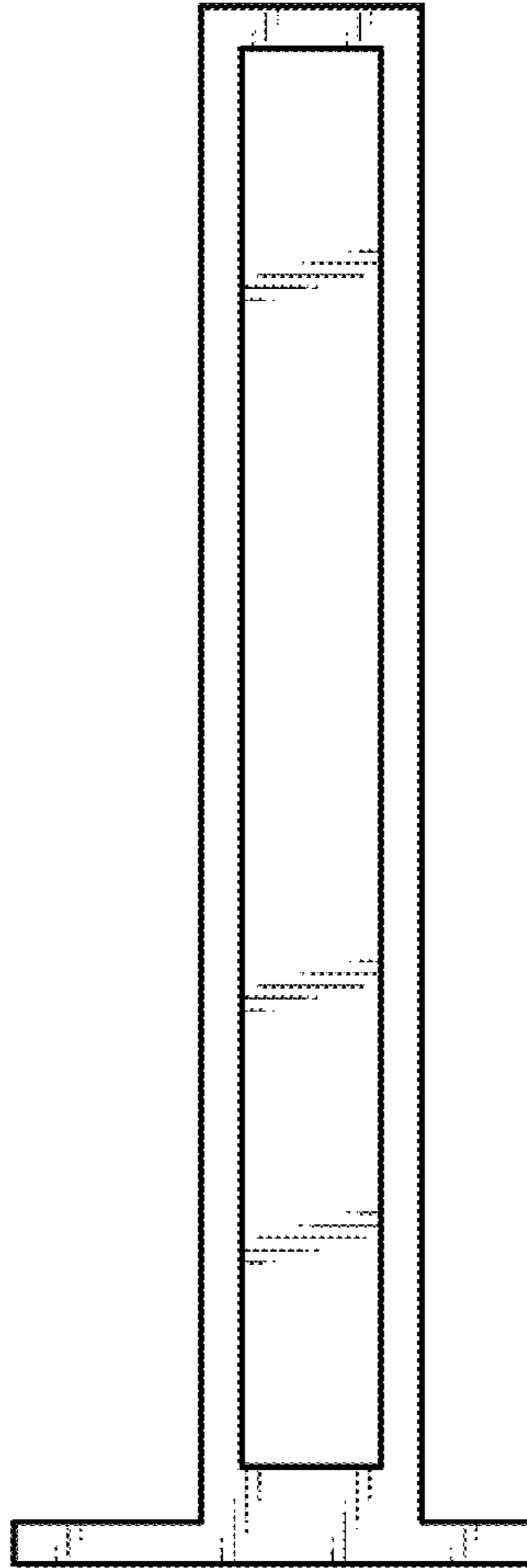


FIG. 5

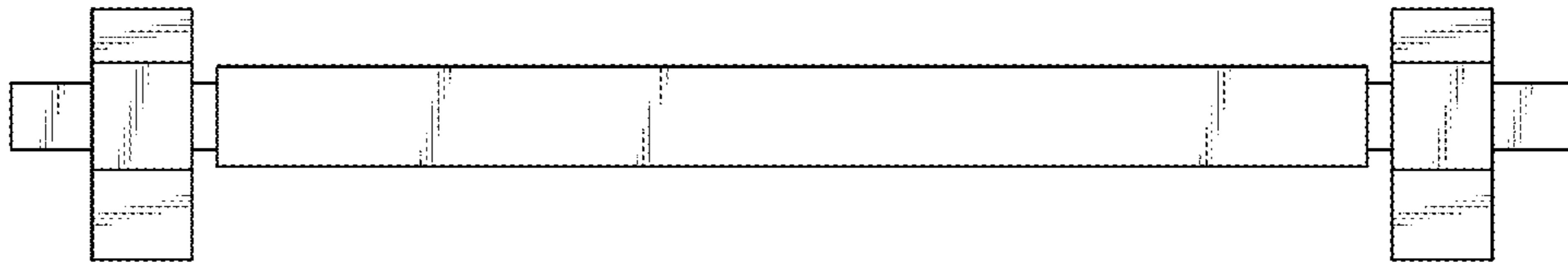


FIG.6

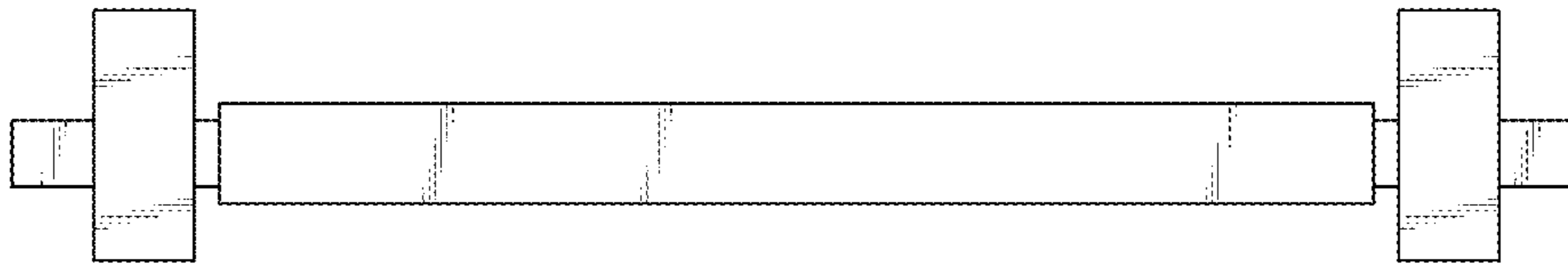


FIG.7