



US00D678877S

(12) **United States Design Patent**
Groene et al.

(10) **Patent No.:** **US D678,877 S**
(45) **Date of Patent:** **** Mar. 26, 2013**

(54) **ELECTRONIC TABLET**

(75) Inventors: **Ralf Groene**, Kirkland, WA (US); **Hua Wang**, Sammamish, WA (US); **Anthony Reed**, Sammamish, WA (US); **Katherine Bailey**, Seattle, WA (US); **James Alec Ishihara**, Bellevue, WA (US); **Jan Raken**, Seattle, WA (US)

(73) Assignee: **Microsoft Corporation**, Redmond, WA (US)

(**) Term: **14 Years**

(21) Appl. No.: **29/422,118**

(22) Filed: **May 16, 2012**

(51) **LOC (9) Cl.** **14-02**

(52) **U.S. Cl.** **D14/341**

(58) **Field of Classification Search** D14/341-347, D14/336, 337, 371, 374, 138, 496; D10/65; 345/901, 104, 133, 156, 168, 173; 348/180, 348/184, 325, 739, 373, 376; 385/88; 710/62; 455/575.3, 575.1; D19/60; 361/679.27; 178/18.03; 434/317
See application file for complete search history.

(56) **References Cited**

U.S. PATENT DOCUMENTS

D426,548 S	6/2000	Oross	
D492,684 S	7/2004	Ozolins	
6,882,524 B2	4/2005	Ulla	
D504,889 S	5/2005	Andre	
D520,989 S *	5/2006	Miller	D14/218
D531,631 S *	11/2006	Andre et al.	D14/375
D543,979 S	6/2007	Lee	
7,299,580 B2	11/2007	Wang	
D558,460 S	1/2008	Yu	
7,342,776 B1	3/2008	Chan	
D579,939 S	11/2008	Skillman	
D584,304 S	1/2009	Lin	
D585,399 S	1/2009	Hwang	
D603,398 S	11/2009	Watson	
D613,286 S	4/2010	Lee	
D615,527 S	5/2010	Hwang	

D616,448 S	5/2010	Skillman	
D627,343 S	11/2010	Andre	
D627,777 S	11/2010	Akana et al.	
D627,779 S	11/2010	Liao	
D629,771 S *	12/2010	Haspil et al.	D14/138 G
D629,800 S	12/2010	Seong	
D630,207 S	1/2011	Seong	
D631,469 S	1/2011	Demskie	
D631,474 S	1/2011	Green	
D632,687 S	2/2011	Seong	
D632,688 S	2/2011	Seong	
D636,768 S	4/2011	Chan	
D636,770 S	4/2011	Li	
D637,597 S	5/2011	Seong	
D638,419 S	5/2011	Ishiharada	
D638,833 S	5/2011	Chuang	
D638,836 S	5/2011	Daniel	

(Continued)

FOREIGN PATENT DOCUMENTS

EM 001911983 2/2011

OTHER PUBLICATIONS

Microsoft Surface, posted Nov. 16, 2012 [online], [retrieved Dec. 12, 2012]. Retrieved from Internet, <http://reviews.cnet.co.uk>.*

Primary Examiner — Barbara Fox

(74) *Attorney, Agent, or Firm* — Banner & Witcoff, Ltd.

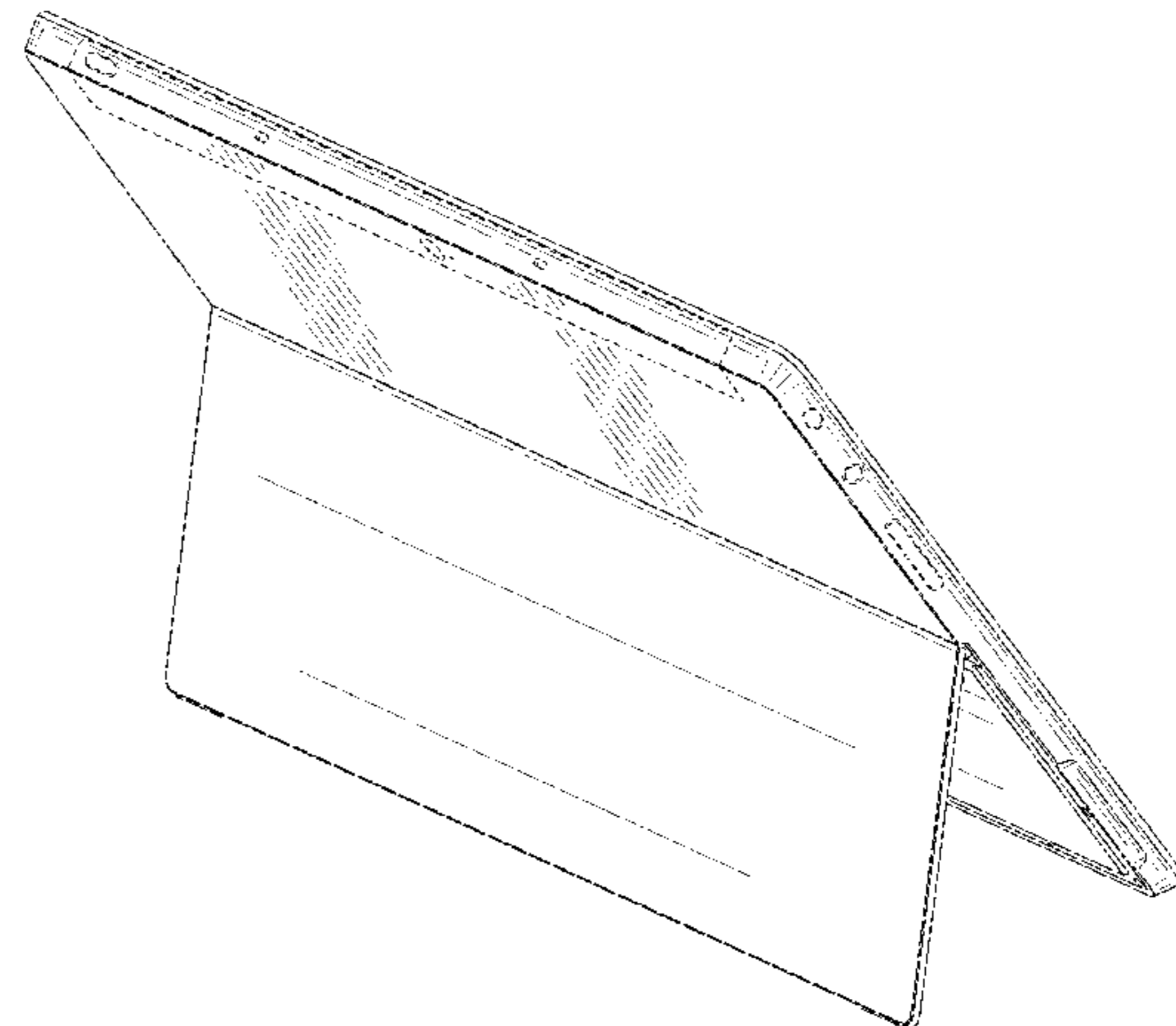
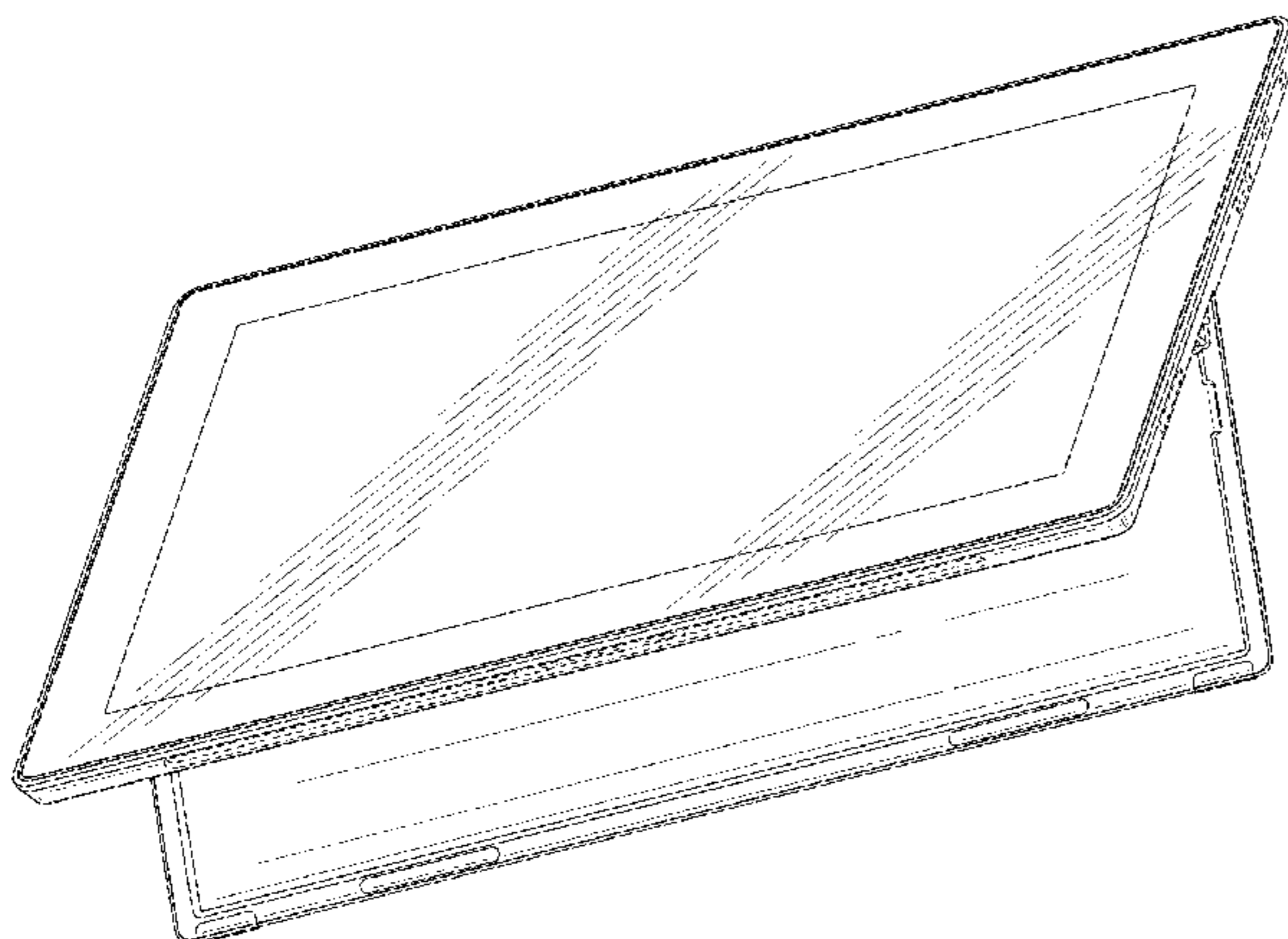
(57) **CLAIM**

The ornamental design for an electronic tablet, as shown and described.

DESCRIPTION

FIG. 1 is a front isometric view of an electronic tablet showing our new design; FIG. 2 is a rear isometric view thereof; FIG. 3 is a front view thereof; FIG. 4 is a rear view thereof; FIG. 5 is a top view thereof; FIG. 6 is a left side view thereof; and, FIG. 7 is a right side view thereof. The broken lines shown in the drawings represent portions of the electronic tablet which form no part of the claimed design.

1 Claim, 6 Drawing Sheets



US D678,877 S

Page 2

U.S. PATENT DOCUMENTS

D639,267 S *	6/2011	DeLorenzo et al.	D14/142	D664,954 S	8/2012	Kim	
D639,268 S *	6/2011	DeLorenzo et al.	D14/142	D669,069 S	10/2012	Akana et al.	
D639,296 S *	6/2011	Tseng et al.	D14/345	D670,286 S	10/2012	Akana et al.	
D641,016 S	7/2011	Takahashi		D671,114 S *	11/2012	Akana et al.	D14/341
D641,017 S	7/2011	Meng		8,312,991 B2 *	11/2012	Diebel et al.	206/45.24
D645,465 S	9/2011	Lin		D671,886 S *	12/2012	Schacht	D13/102
D649,190 S	11/2011	Goodall		D671,938 S *	12/2012	Hsu et al.	D14/341
D650,380 S	12/2011	Ballout		2004/0201871 A1 *	10/2004	Risheq	358/474
D651,812 S *	1/2012	Lee et al.	D6/300	2005/0052831 A1 *	3/2005	Chen	361/680
D654,497 S	2/2012	Lee		2012/0140396 A1	6/2012	Zeliff	
D656,136 S	3/2012	Lee		2012/0194448 A1	8/2012	Rothkopf	
D656,137 S	3/2012	Chung					
D659,139 S	5/2012	Gengler					

* cited by examiner

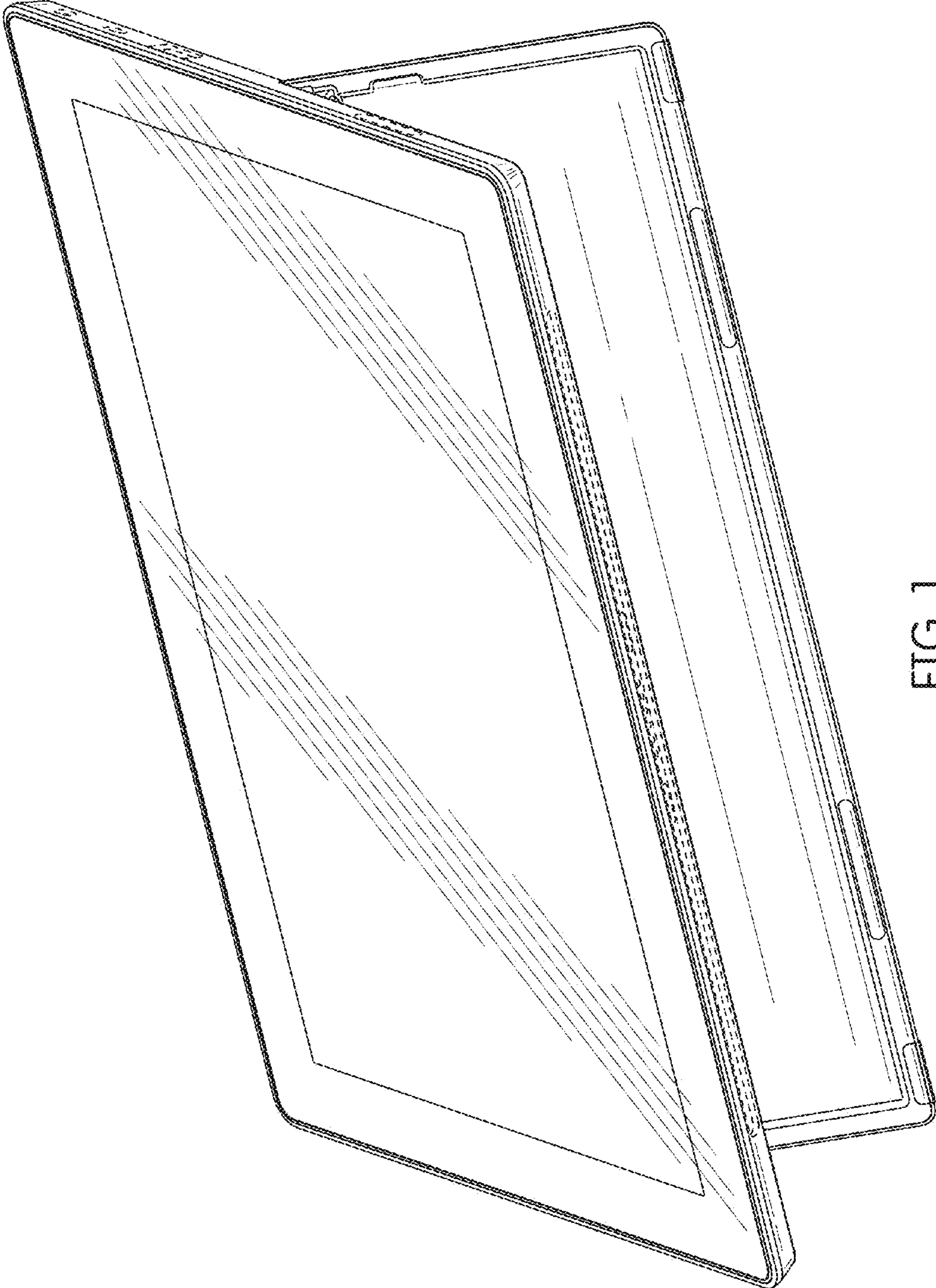


FIG. 1

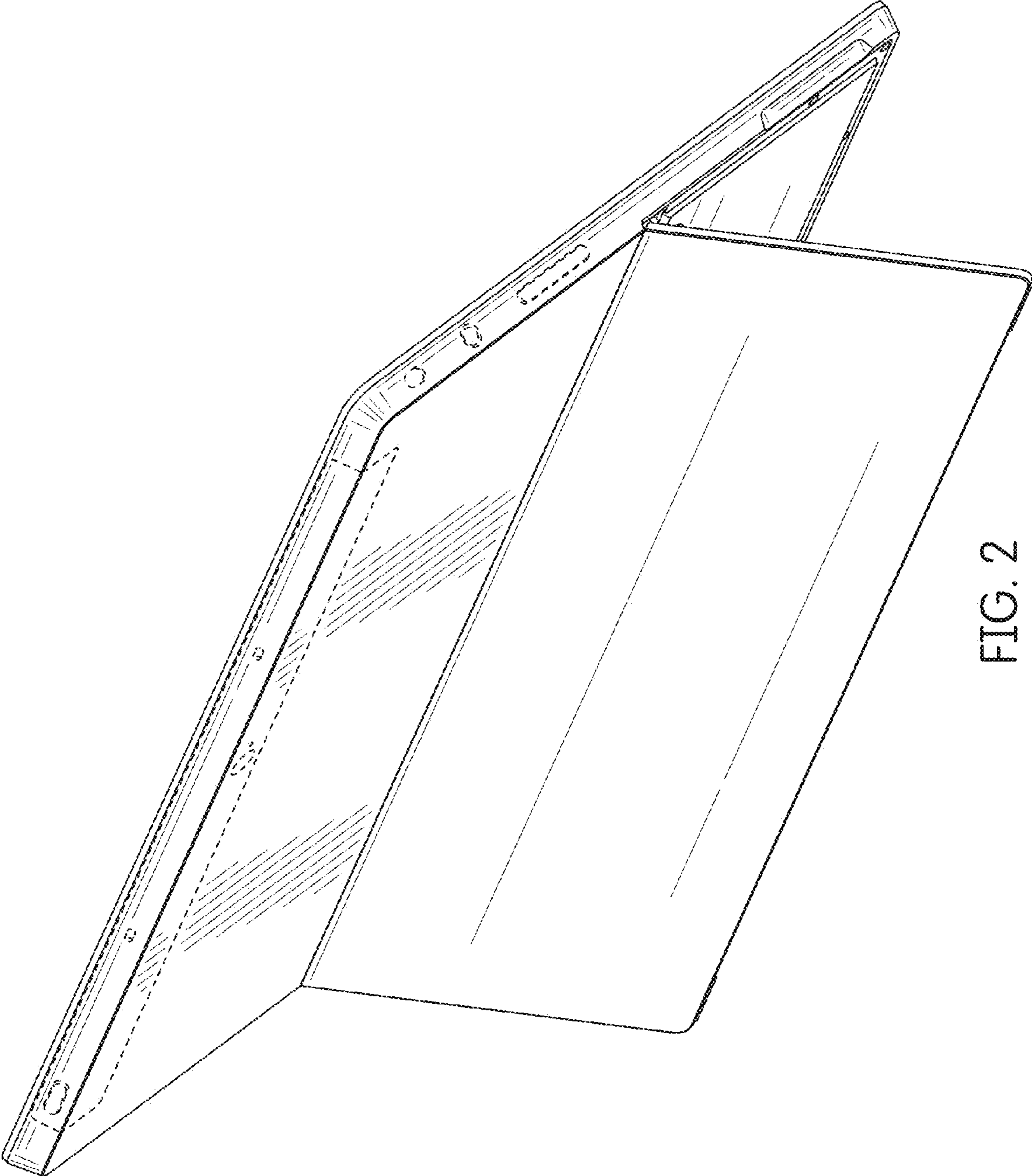


FIG. 2

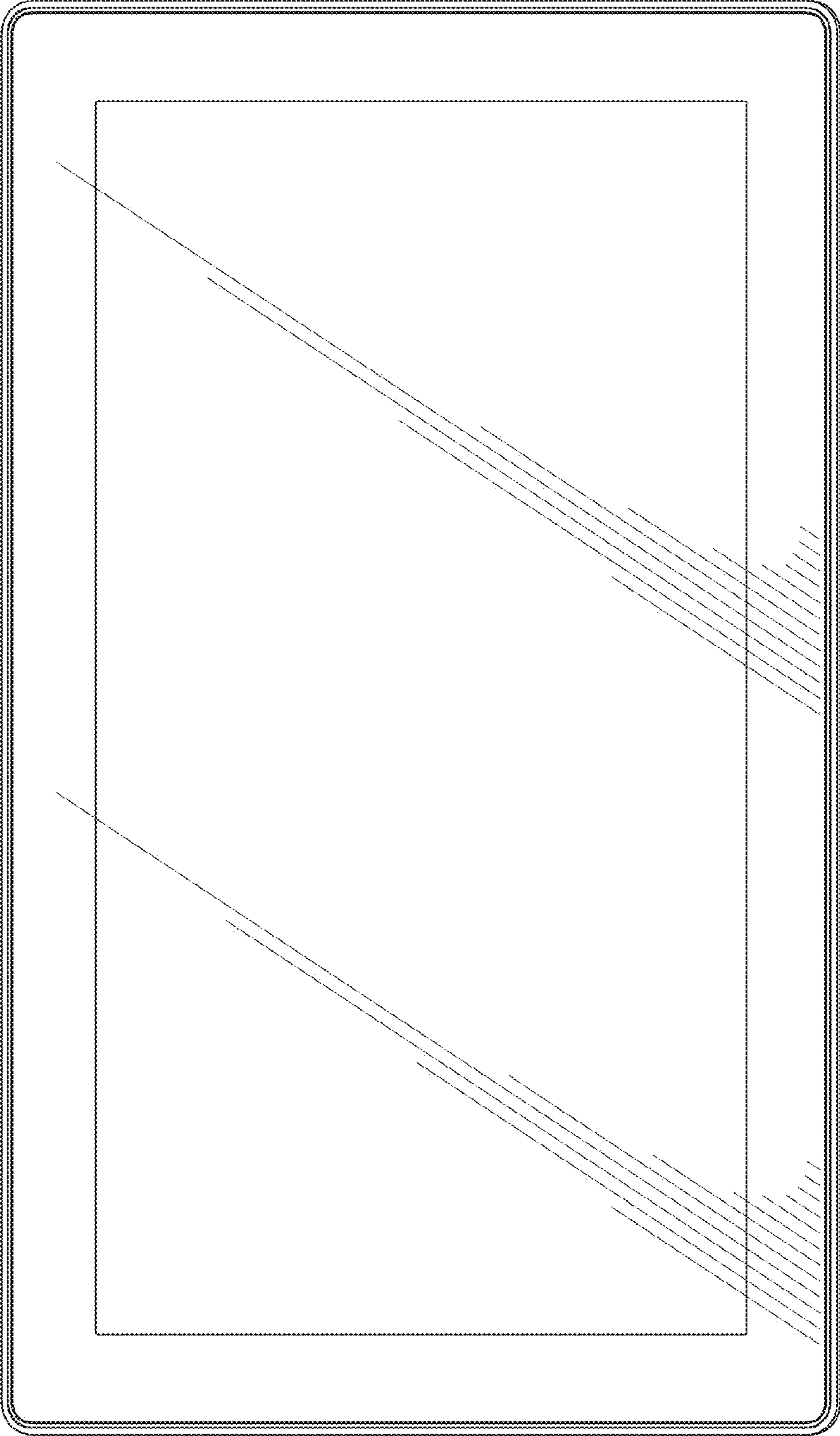


FIG. 3

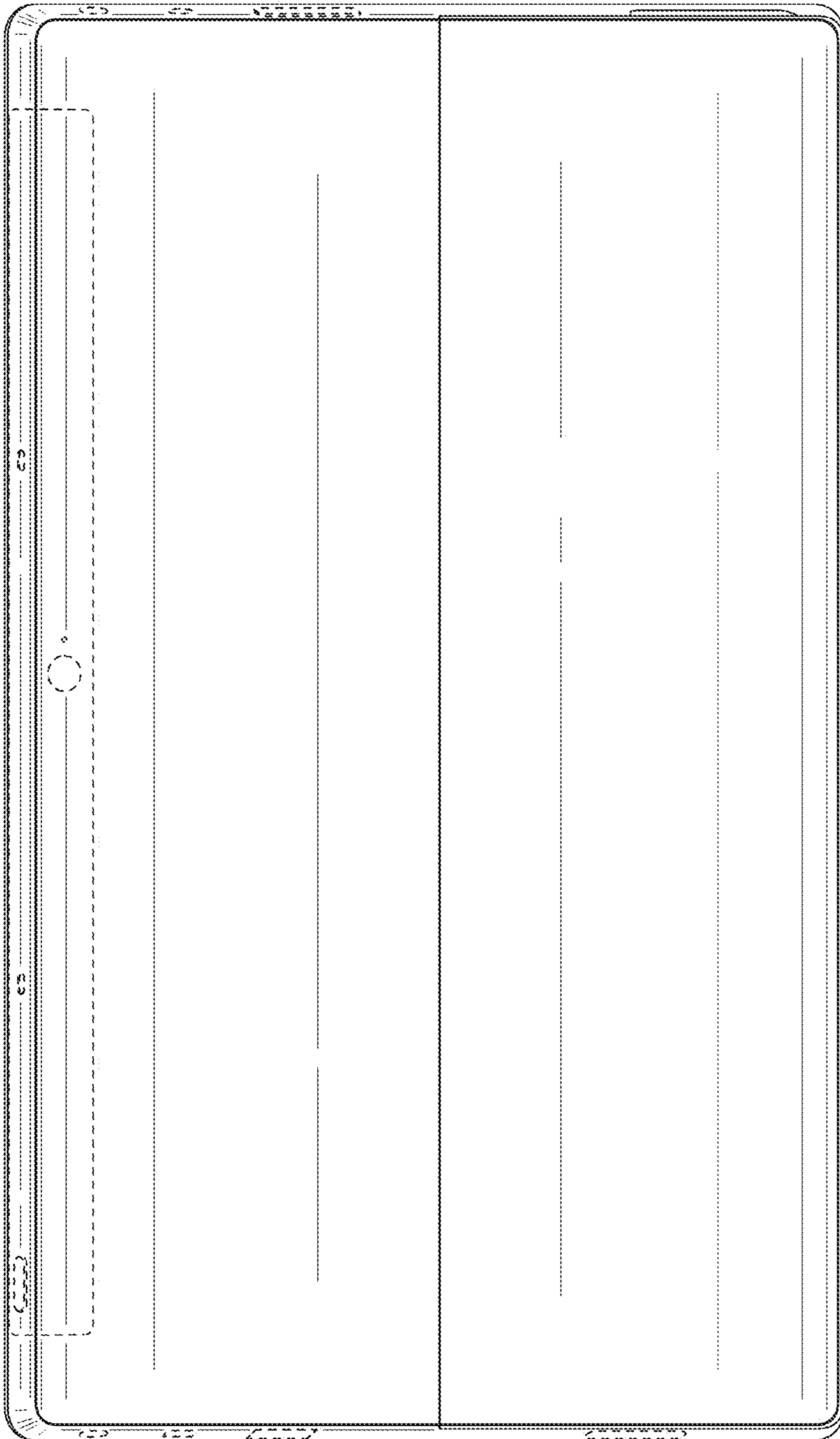


FIG. 4

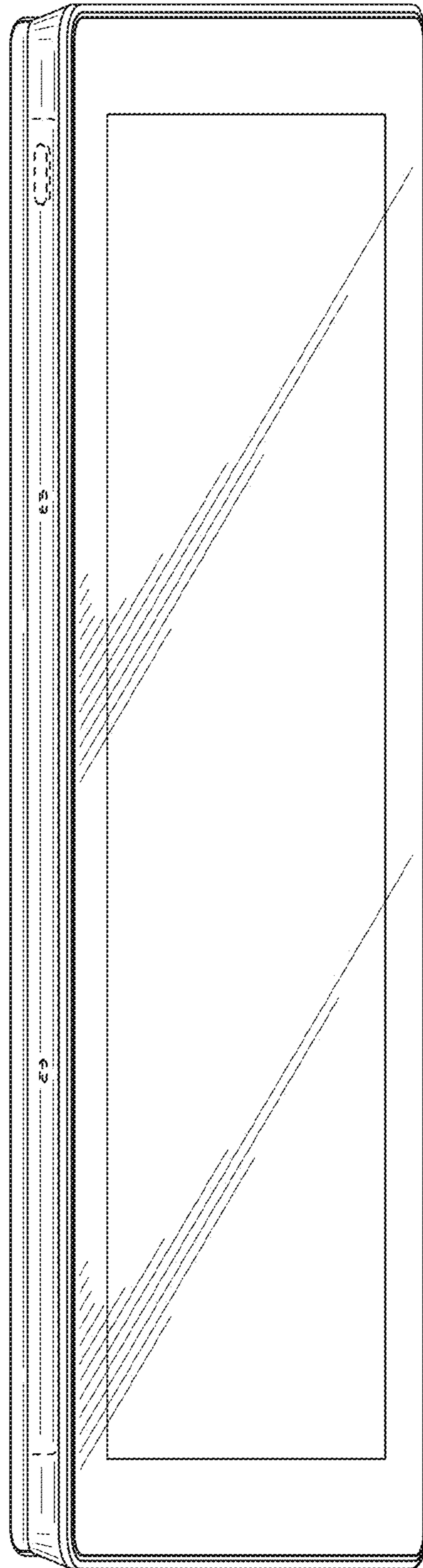


FIG. 5

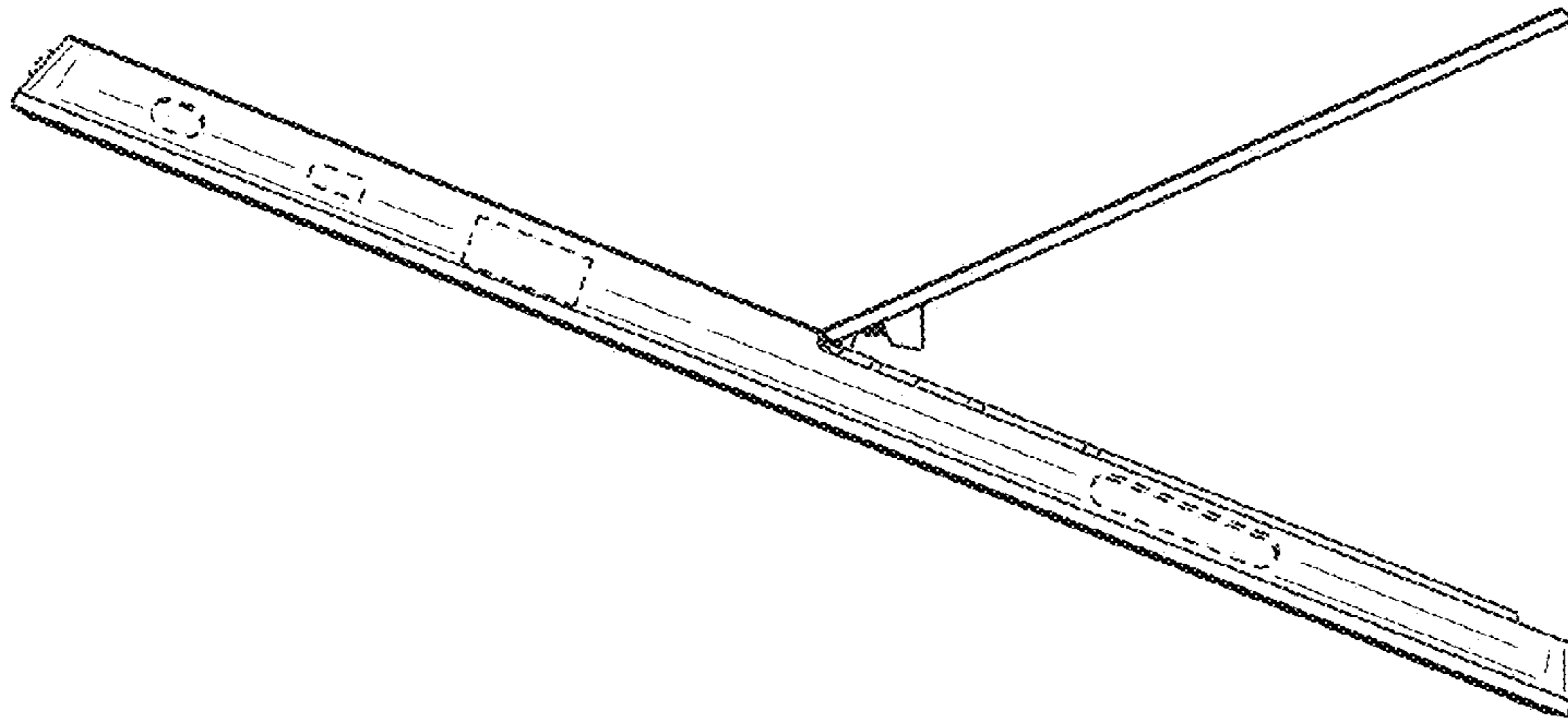


FIG. 7

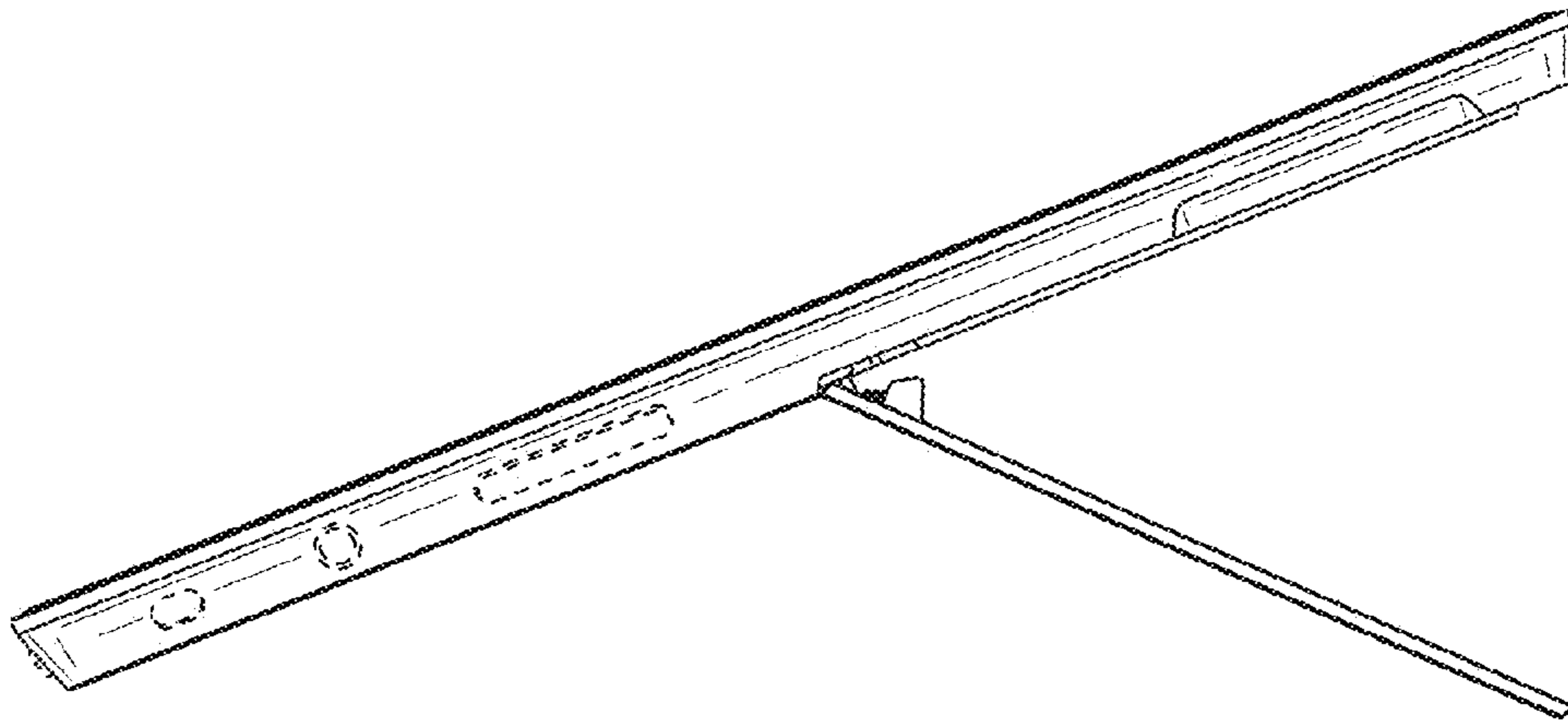


FIG. 6