



US00D678876S

(12) **United States Design Patent**  
**Andre et al.**

(10) **Patent No.:** **US D678,876 S**  
(45) **Date of Patent:** **\*\* Mar. 26, 2013**

(54) **ELECTRONIC DEVICE**

(75) Inventors: **Bartley K. Andre**, Menlo Park, CA (US); **Daniel J. Coster**, San Francisco, CA (US); **Daniele De Iuliis**, San Francisco, CA (US); **Evans Hankey**, San Francisco, CA (US); **Richard P. Howarth**, San Francisco, CA (US); **Jonathan P. Ive**, San Francisco, CA (US); **Steve Jobs**, Palo Alto, CA (US); **Duncan Robert Kerr**, San Francisco, CA (US); **Shin Nishibori**, Kailua, HI (US); **Matthew Dean Rohrbach**, San Francisco, CA (US); **Peter Russell-Clarke**, San Francisco, CA (US); **Douglas B. Satzger**, Menlo Park, CA (US); **Christopher J. Stringer**, Woodside, CA (US); **Eugene Antony Whang**, San Francisco, CA (US); **Rico Zorkendorfer**, San Francisco, CA (US)

(73) Assignee: **Apple Inc.**, Cupertino, CA (US)  
(\*\*) Term: **14 Years**  
(21) Appl. No.: **29/416,594**  
(22) Filed: **Mar. 23, 2012**

**Related U.S. Application Data**

(60) Continuation of application No. 29/375,895, filed on Sep. 29, 2010, now Pat. No. Des. 656,496, which is a continuation of application No. 29/356,013, filed on Feb. 18, 2010, now Pat. No. Des. 626,552, which is a division of application No. 29/330,323, filed on Jan. 5, 2009, now Pat. No. Des. 611,470, which is a continuation of application No. 29/330,161, filed on Dec. 30, 2008, now Pat. No. Des. 590,826.

(51) **LOC (9) Cl.** ..... **14-02**

(52) **U.S. Cl.** ..... **D14/341; D14/496**

(58) **Field of Classification Search** ..... D14/496, D14/401, 435, 474, 483, 217, 137, 138, 160, D14/168, 203.1–203.8, 341–347, 138 R, D14/138 C, 138 G, 454, 439, 455, 456, 192, D14/239, 247, 315, 327, 331, 336, 338, 339, D14/374, 393, 394, 399, 400, 429, 432, 125, D14/126, 129, 130; D21/324, 329, 330, D21/331, 333; D18/7; D10/32; 455/556.1, 455/556.2, 11.1, 773, 344–347, 93, 95; 379/433.01, 379/433.07, 433.1, 433.11, 433.12, 433.13;

345/169, 156, 173–179, 905; 348/14.02, 348/790; 341/22; 361/680; 273/148 B; 368/281; 715/727–729, 864; 370/342–344; 369/1, 369/2, 6, 12; 463/43–47

See application file for complete search history.

(56) **References Cited**

U.S. PATENT DOCUMENTS

D141,980 S \* 8/1945 Holland et al. .... D3/274  
(Continued)

FOREIGN PATENT DOCUMENTS

CN 3513646D 3/2006  
CN 3543434D 7/2006  
(Continued)

OTHER PUBLICATIONS

“Search Report For New Design Patnt [sic] Application,” completed May 19, 2010 in ROC (Taiwan) New Design Patent Application No. 098301296. 1 page.

*Primary Examiner* — Barbara Fox

(74) *Attorney, Agent, or Firm* — Sterne, Kessler, Goldstein & Fox PLLC

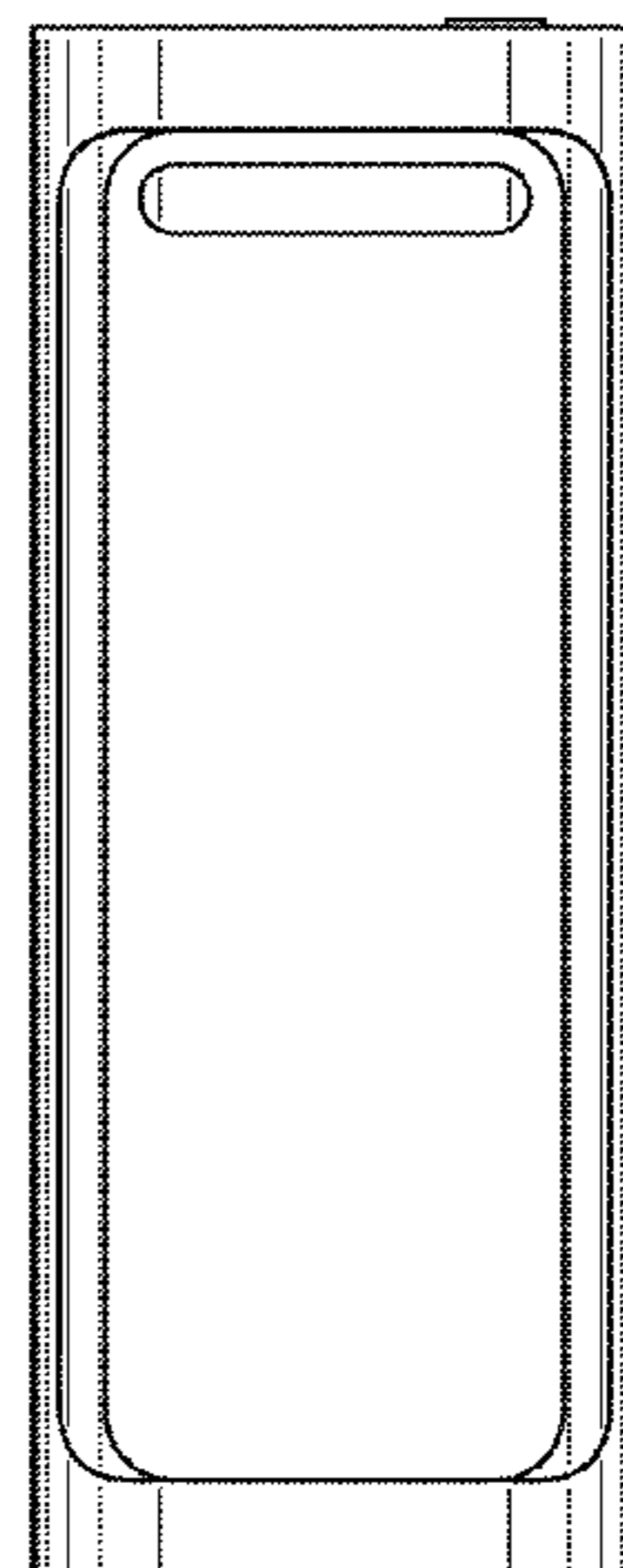
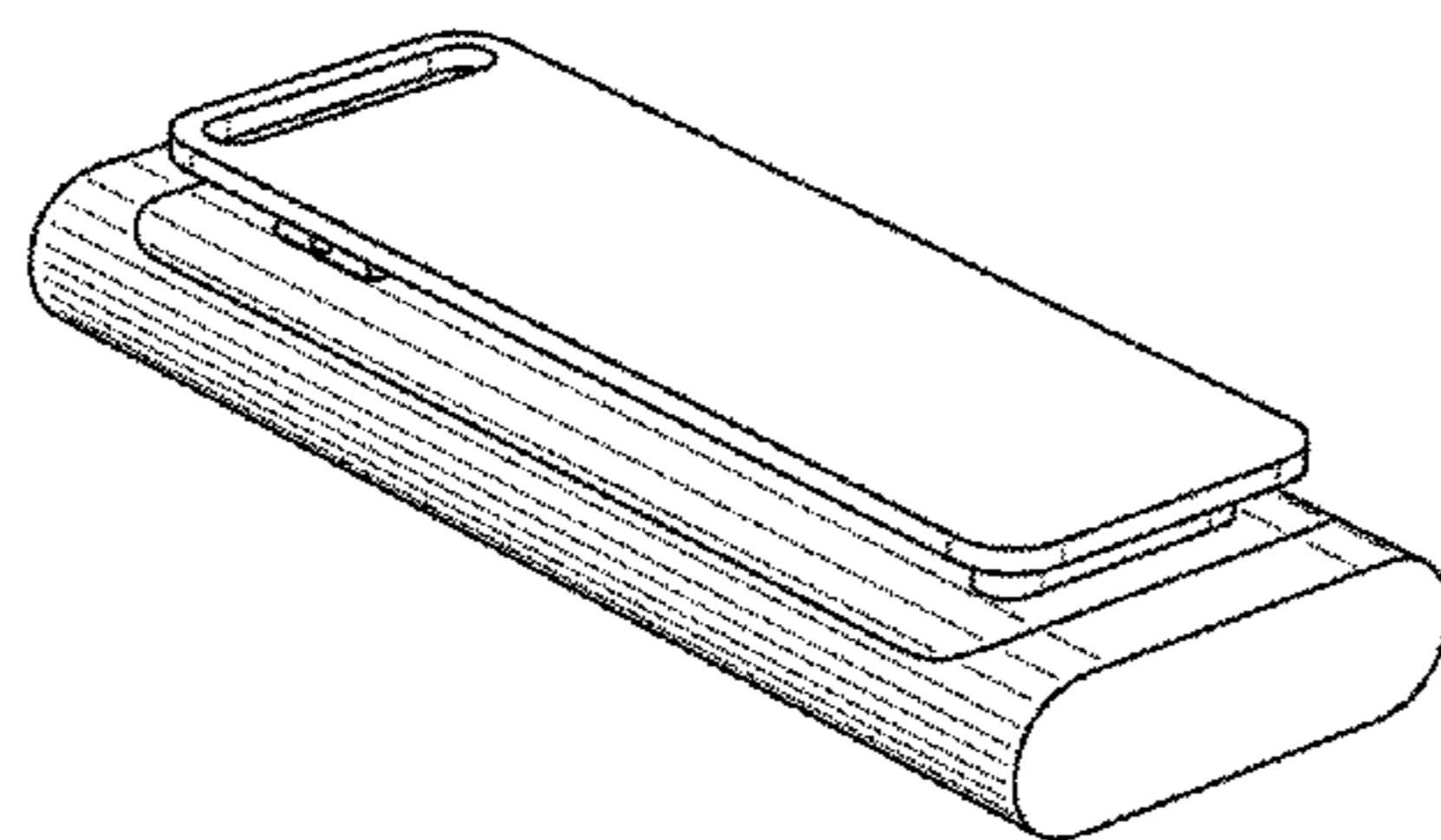
(57) **CLAIM**

The ornamental design for an electronic device, as shown and described.

**DESCRIPTION**

FIG. 1 is a bottom front perspective view of an electronic device showing our new design;  
FIG. 2 is a bottom rear perspective view thereof;  
FIG. 3 is top front perspective view thereof;  
FIG. 4 is top rear perspective view thereof;  
FIG. 5 is a front view thereof;  
FIG. 6 is a rear view thereof;  
FIG. 7 is a bottom view thereof;  
FIG. 8 is top view thereof;  
FIG. 9 is a right side view thereof; and,  
FIG. 10 is a left side view thereof.  
The shade lines in the Figures show contour and not surface ornamentation.

**1 Claim, 4 Drawing Sheets**



# US D678,876 S

Page 2

## U.S. PATENT DOCUMENTS

2,521,423 A 9/1950 Stuck  
 3,851,123 A \* 11/1974 Lipinski et al. .... 455/351  
 4,359,220 A 11/1982 Morrison et al.  
 D303,137 S \* 8/1989 Brown ..... D22/117  
 4,881,150 A \* 11/1989 Oyamada ..... 361/814  
 D306,519 S \* 3/1990 Nakata ..... D3/206  
 D339,806 S 9/1993 Grinkus  
 D344,511 S 2/1994 Ansai et al.  
 D345,304 S \* 3/1994 Leader ..... D9/418  
 D350,752 S 9/1994 Yuen  
 5,385,282 A \* 1/1995 Chen ..... 224/669  
 5,551,079 A 8/1996 Panther et al.  
 D379,809 S 6/1997 Lindeman  
 5,664,292 A \* 9/1997 Chen ..... 24/3.11  
 D393,260 S 4/1998 Yahaya  
 D396,860 S 8/1998 Yasutomi  
 D421,261 S 2/2000 Heuel  
 6,018,848 A \* 2/2000 Nilsen et al. .... 24/3.12  
 D425,885 S 5/2000 Amron  
 6,073,318 A \* 6/2000 Phillips ..... 24/499  
 6,122,526 A 9/2000 Parulski et al.  
 D432,523 S 10/2000 Grinkus et al.  
 D438,525 S 3/2001 Katayama  
 D441,735 S 5/2001 Katayama  
 D446,499 S \* 8/2001 Andre et al. .... D13/110  
 D475,850 S \* 6/2003 Andre et al. .... D3/218  
 D480,372 S 10/2003 Chen et al.  
 D490,796 S 6/2004 Allen  
 D500,309 S 12/2004 Borsboom  
 D503,409 S 3/2005 Wong et al.  
 D503,532 S \* 4/2005 Andre et al. .... D3/218  
 D515,545 S 2/2006 Griffin  
 7,013,164 B2 \* 3/2006 Lin ..... 455/557  
 D520,502 S \* 5/2006 Xu et al. .... D14/356  
 D529,512 S 10/2006 Reawsanguanwong  
 D530,342 S \* 10/2006 Lee et al. .... D14/480.3  
 D531,190 S 10/2006 Lee et al.  
 D531,619 S 11/2006 Chau  
 D534,184 S 12/2006 Leija et al.

D534,545 S 1/2007 Leija et al.  
 D534,921 S 1/2007 Andre et al.  
 D539,814 S 4/2007 Andre et al.  
 D550,714 S 9/2007 Ferraboshi  
 D551,680 S \* 9/2007 Andre et al. .... D14/496  
 D555,171 S \* 11/2007 Dai ..... D14/496  
 D556,155 S \* 11/2007 Andre et al. .... D13/168  
 D559,860 S \* 1/2008 Andre et al. .... D14/496  
 D560,687 S \* 1/2008 Kim et al. .... D14/496  
 D565,596 S 4/2008 Kim  
 D566,101 S 4/2008 Griffin et al.  
 D568,338 S 5/2008 Andre et al.  
 D570,876 S \* 6/2008 Lee ..... D14/496  
 D574,014 S \* 7/2008 Dai ..... D14/496  
 D575,304 S \* 8/2008 Andre et al. .... D14/496  
 D577,008 S 9/2008 Andre et al.  
 D577,990 S \* 10/2008 Andre et al. .... D8/395  
 D578,140 S 10/2008 Sheba et al.  
 D579,952 S 11/2008 Yamada  
 D580,456 S 11/2008 Oh et al.  
 D580,953 S \* 11/2008 Andre et al. .... D14/496  
 D582,354 S 12/2008 Andre et al.  
 D582,417 S 12/2008 Sheba et al.  
 D585,077 S \* 1/2009 Sheba et al. .... D14/496  
 D586,740 S \* 2/2009 Song ..... D13/103  
 D586,741 S 2/2009 Song  
 D588,545 S 3/2009 Andre et al.  
 D592,677 S \* 5/2009 Sheba et al. .... D14/496  
 D597,090 S 7/2009 Bemelmans  
 D606,040 S 12/2009 Andre et al.  
 D607,898 S 1/2010 Lee  
 D618,206 S 6/2010 Andre et al.  
 D618,207 S \* 6/2010 Andre et al. .... D14/203.7  
 2005/0049015 A1 3/2005 Wang

## FOREIGN PATENT DOCUMENTS

EM 000898465-0001 3/2008  
 KR 30-0328287 6/2003

\* cited by examiner



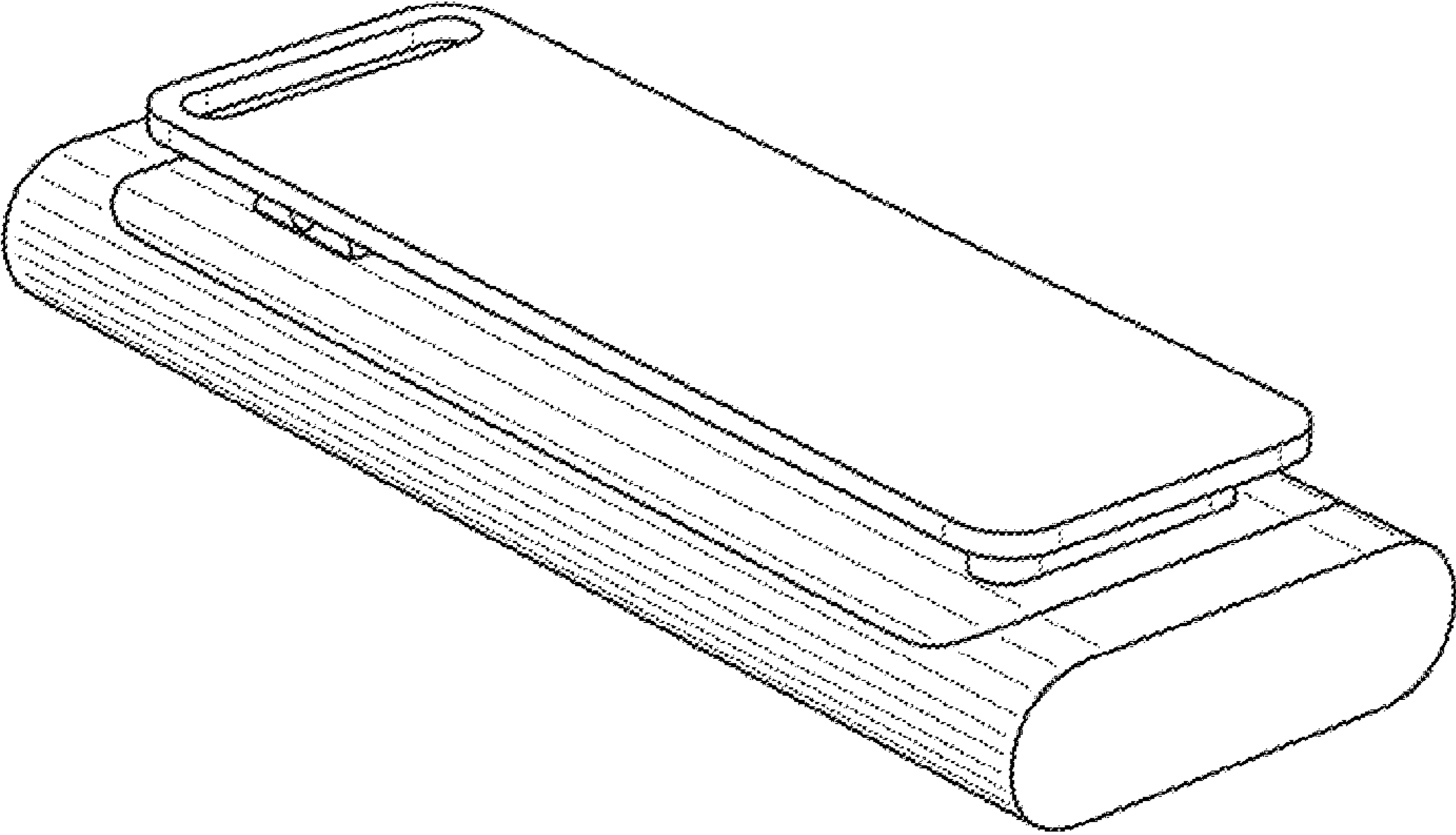


FIG. 1

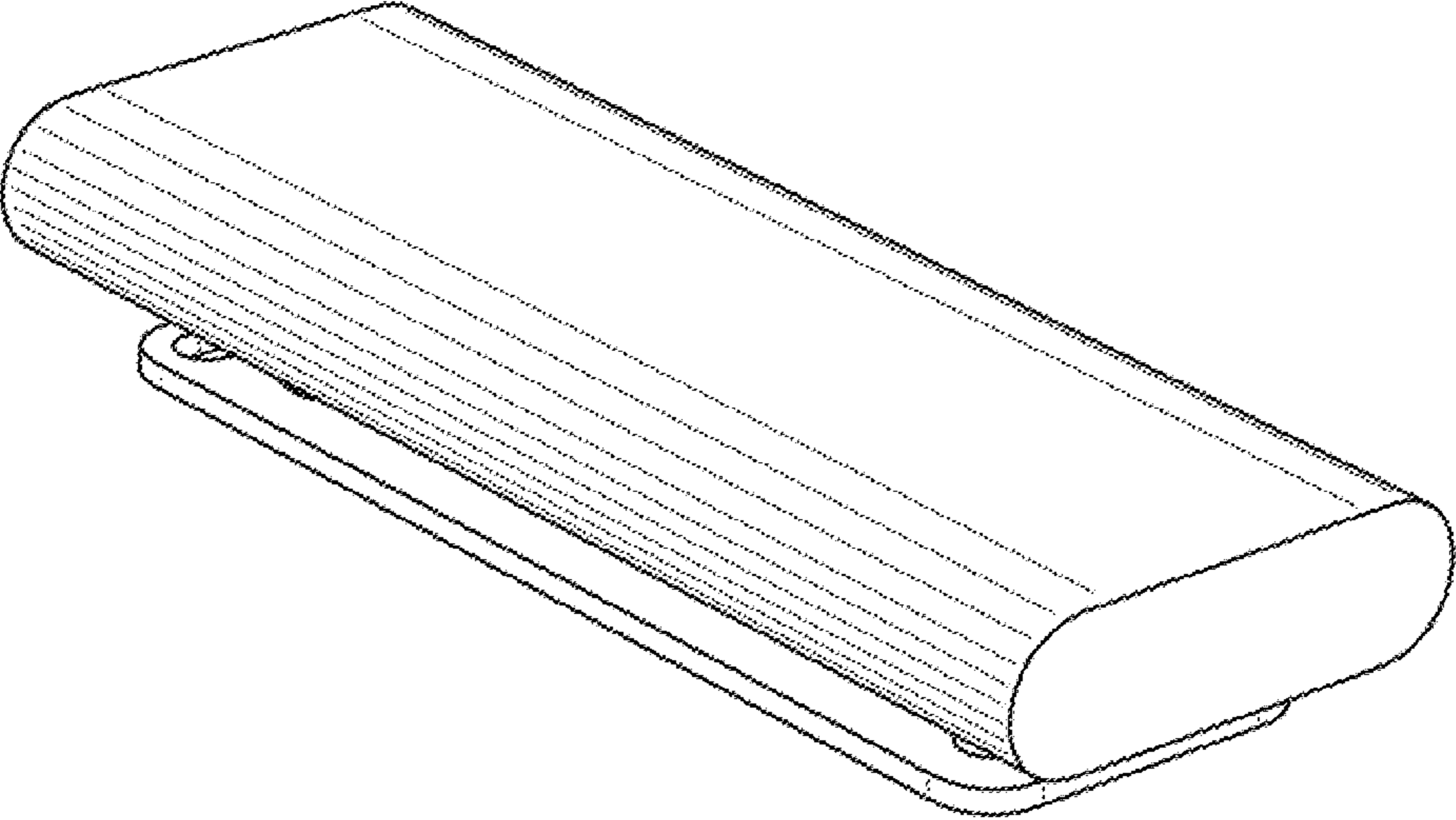


FIG. 2

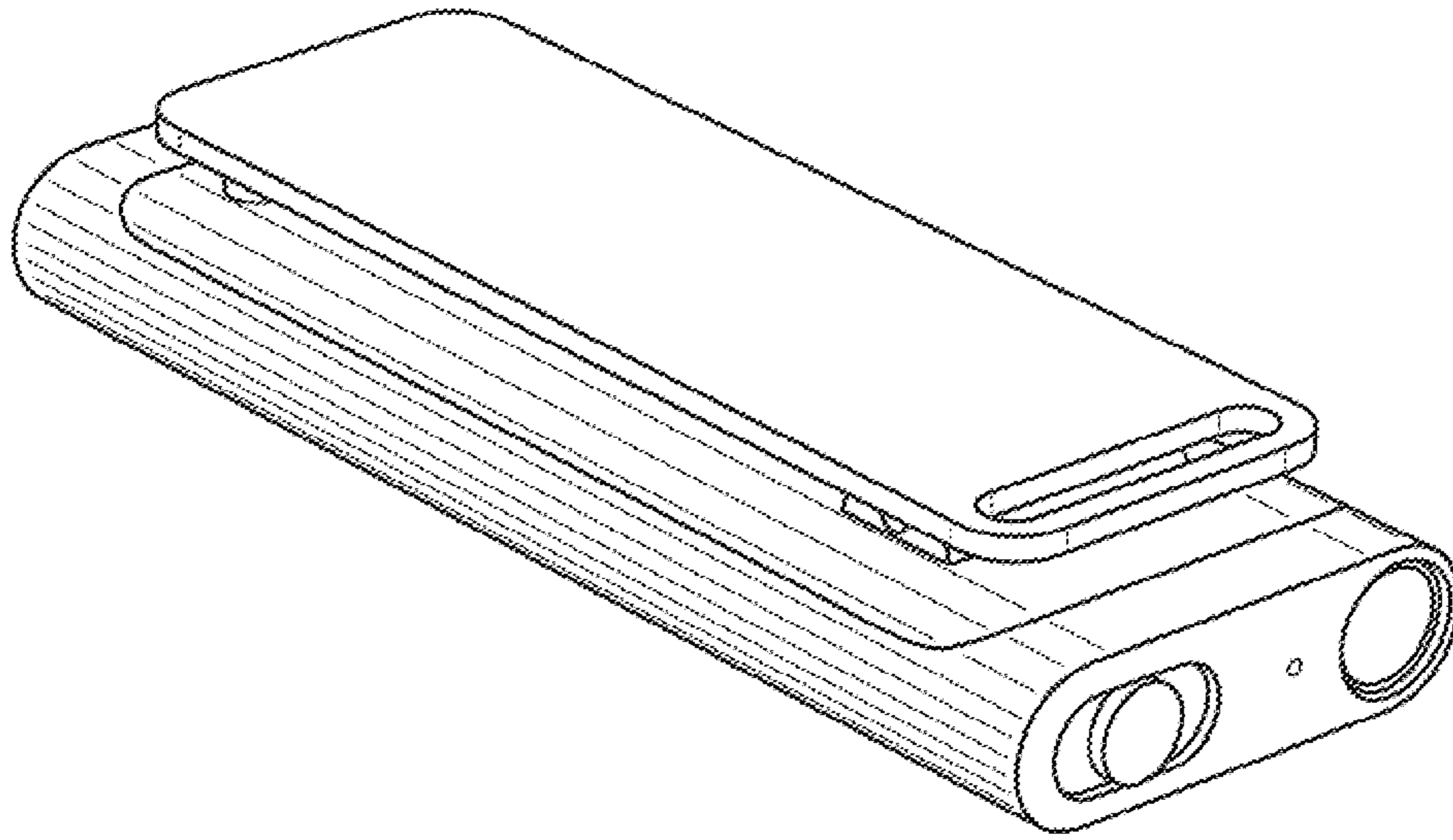


FIG. 3

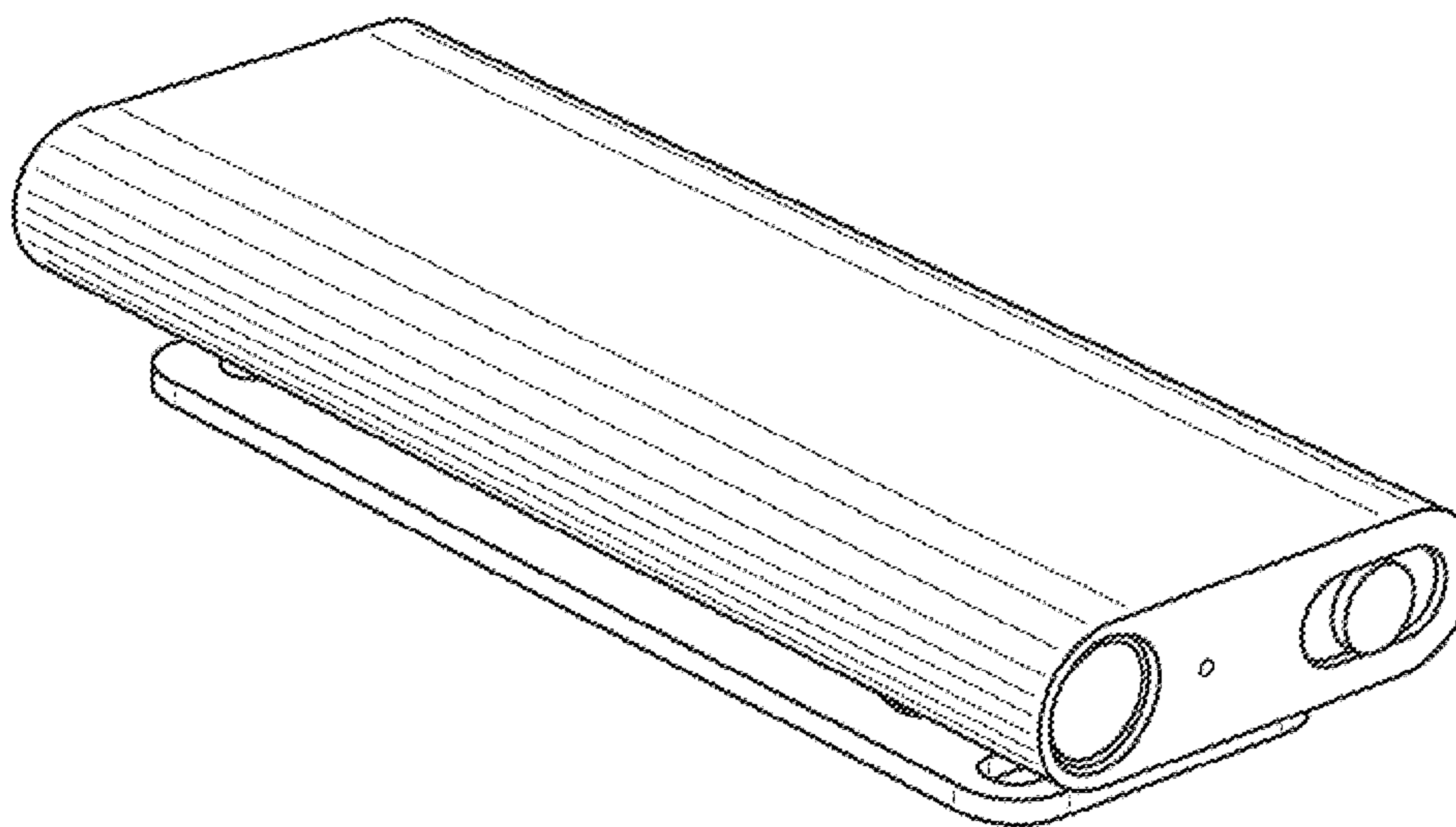


FIG. 4

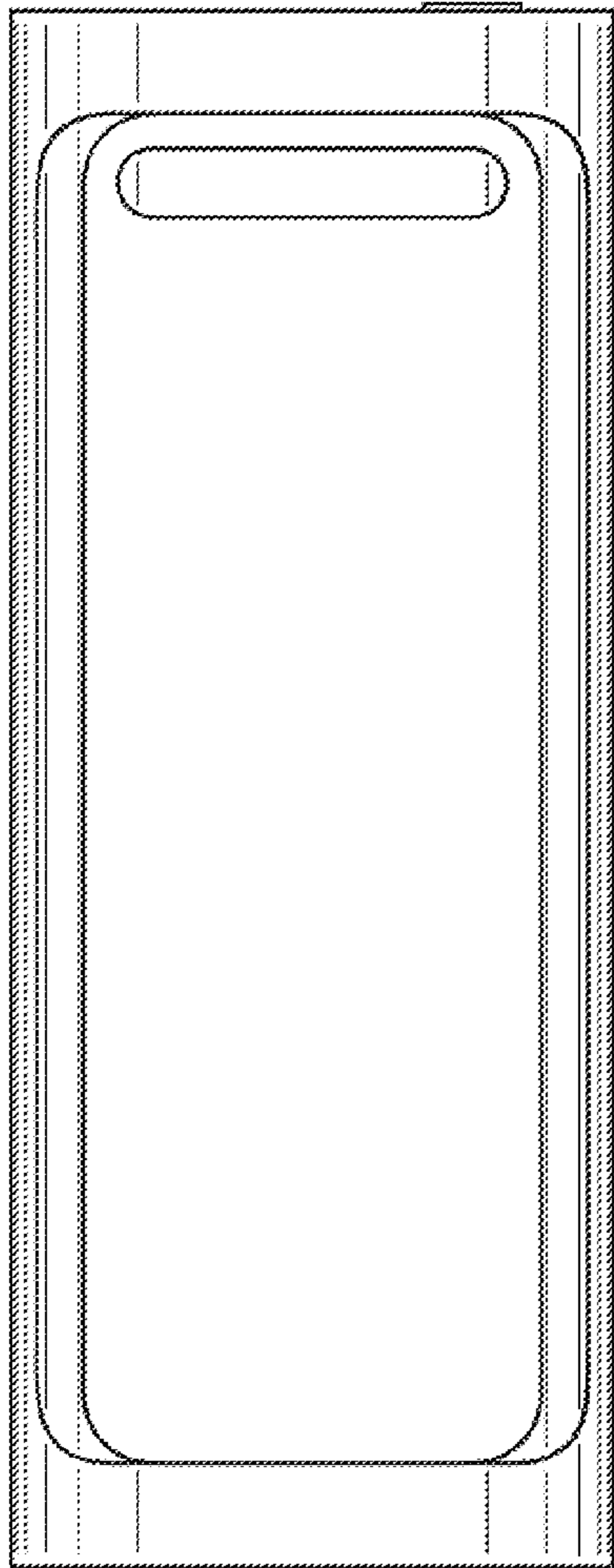


FIG. 5

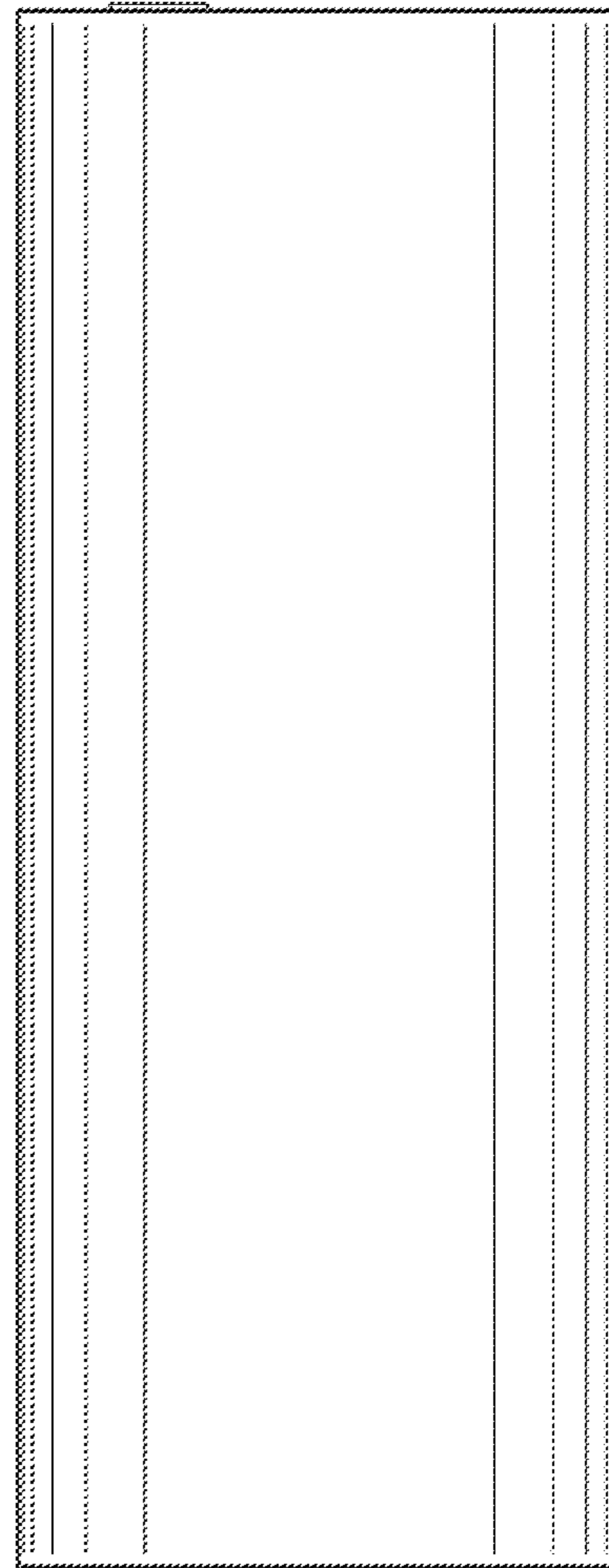


FIG. 6

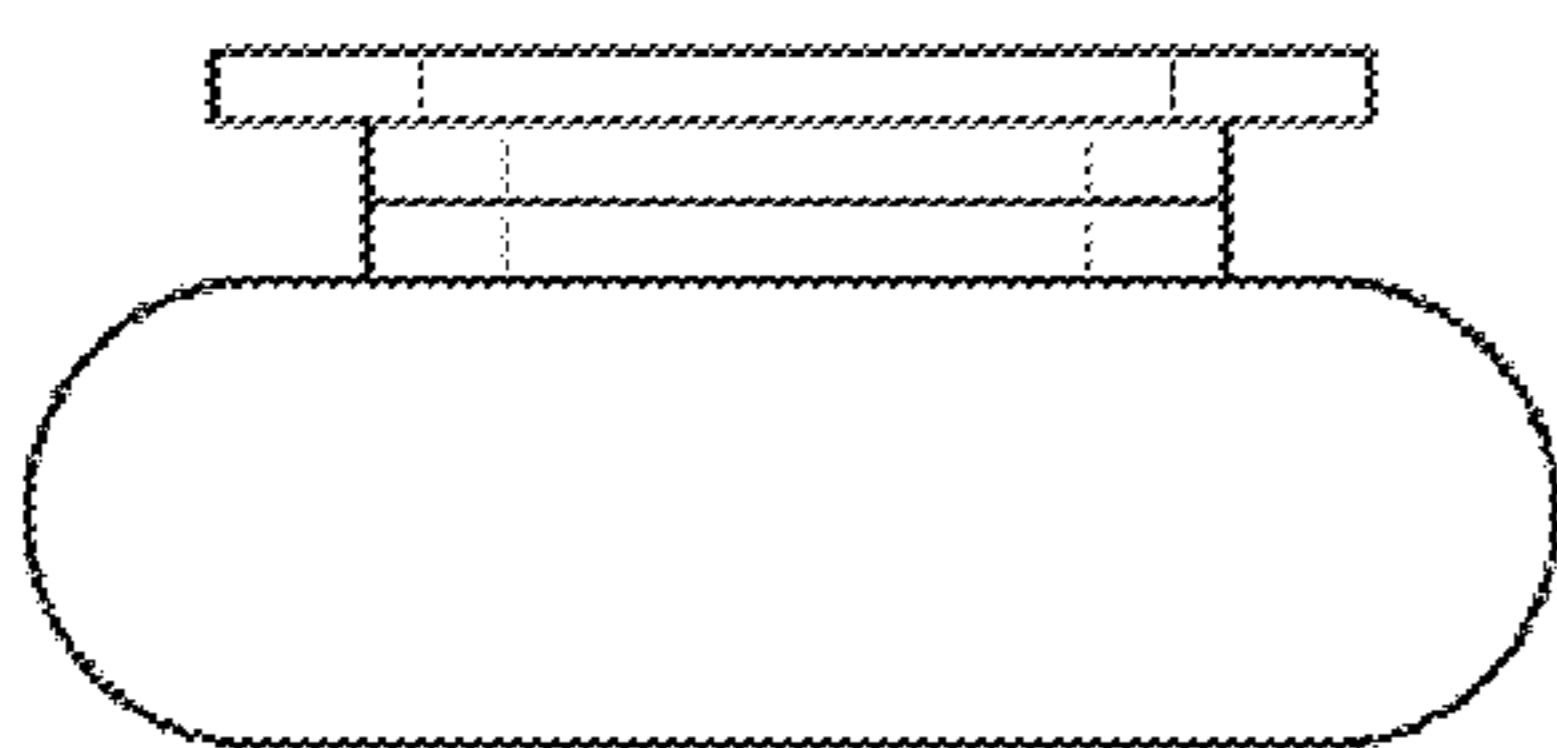


FIG. 7

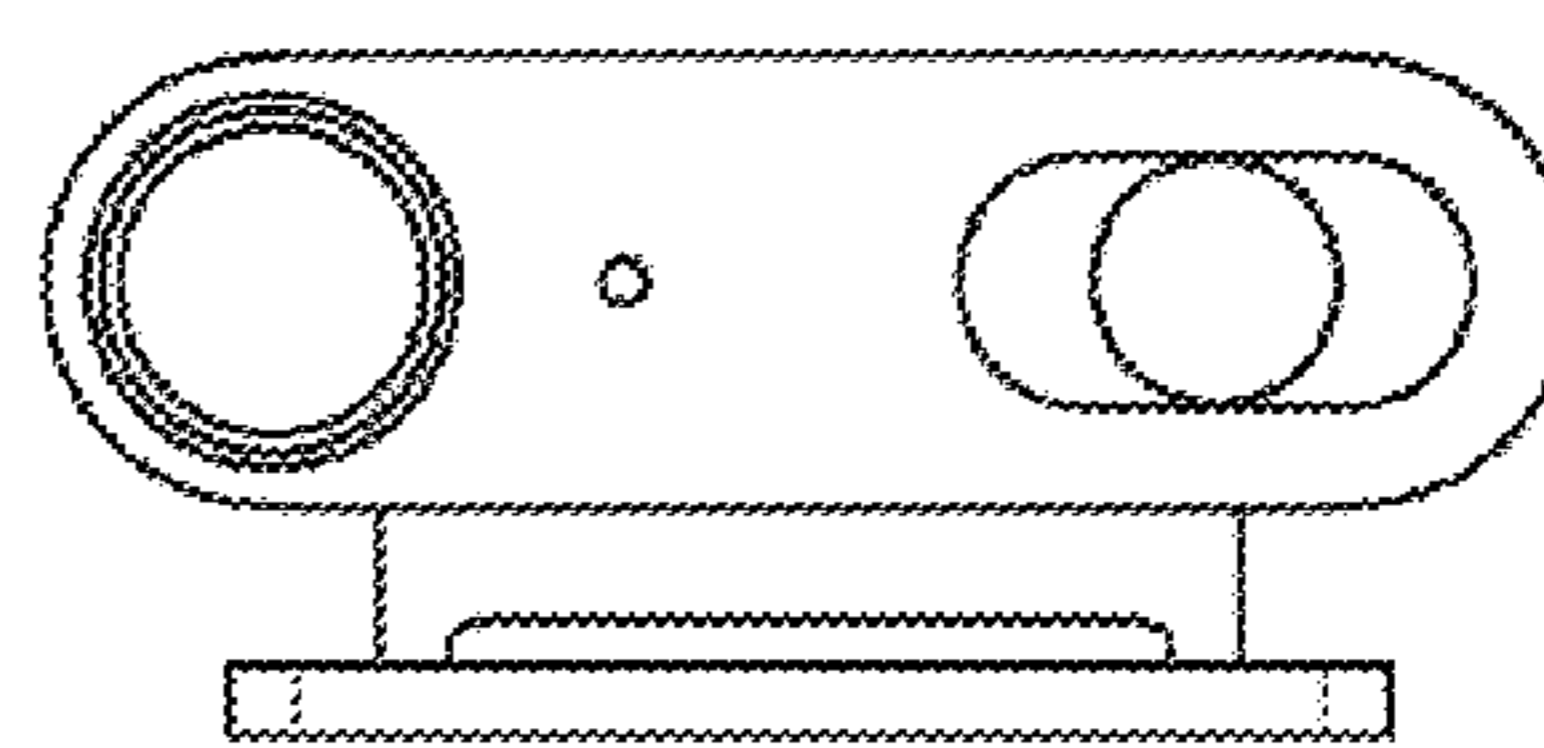


FIG. 8

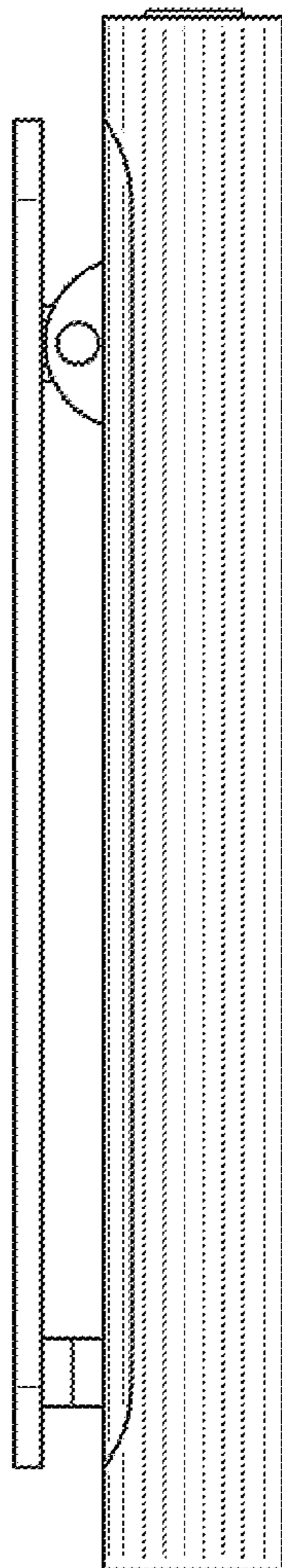


FIG. 9

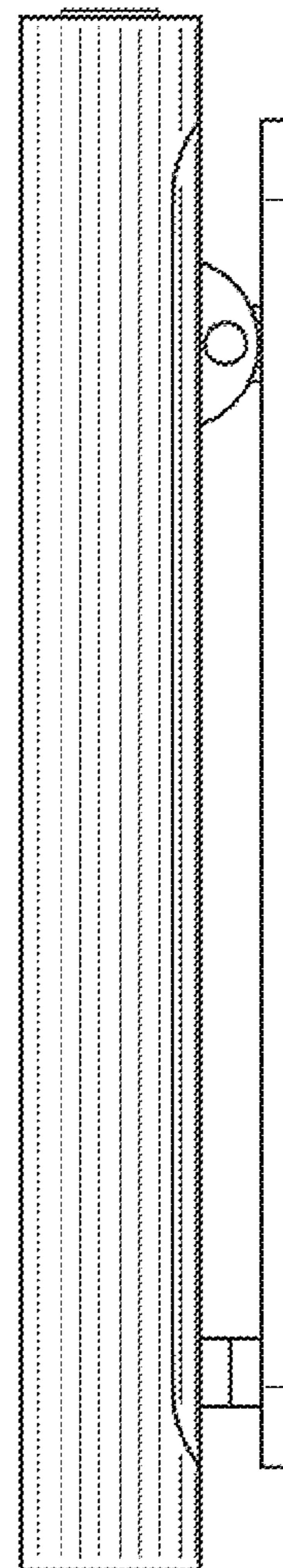


FIG. 10