



US00D678871S

(12) **United States Design Patent**  
**Mishan et al.**

(10) **Patent No.:** **US D678,871 S**  
(45) **Date of Patent:** **\*\* Mar. 26, 2013**

(54) **SMART PHONE COVER WITH CLOTH FEATURE**

(75) Inventors: **Dylan Mishan**, New York, NY (US);  
**Jenna Marie Edgemon**, Brooklyn, NY (US);  
**Stuart Harvey Lee**, Forest Hills, NY (US)

(73) Assignee: **E. Mishan & Sons, Inc.**, New York, NY (US)

(\*\*) Term: **14 Years**

(21) Appl. No.: **29/423,081**

(22) Filed: **May 29, 2012**

(51) **LOC (9) Cl.** ..... **14-03**

(52) **U.S. Cl.** ..... **D14/250**

(58) **Field of Classification Search** ..... D14/250–253,  
D14/440, 203.3–203.7, 217, 496, 248, 238.1,  
D14/240, 447; D3/201, 218, 269, 301, 273,  
D3/303, 103, 247; D13/103, 107–108, 119;  
220/4.02; 248/309.1, 371, 176.3, 668; 361/679.56,  
361/679.3, 679.25, 816; 379/426, 433.11,  
379/455; 455/575.1, 575.8; 206/305, 320;  
345/173

See application file for complete search history.

(56) **References Cited**

**U.S. PATENT DOCUMENTS**

D492,300	S	*	6/2004	Lee et al.	.....	D14/248
D499,546	S	*	12/2004	Smithers	.....	D3/218
D593,750	S	*	6/2009	Song	.....	D3/269
D614,179	S	*	4/2010	Behar et al.	.....	D14/248
D615,078	S	*	5/2010	Bradley	.....	D14/250
D619,130	S	*	7/2010	Fellig	.....	D14/250
D620,931	S	*	8/2010	Opman	.....	D14/250
D623,180	S	*	9/2010	Diebel	.....	D14/250
D624,064	S	*	9/2010	Esposito	.....	D14/250
D625,303	S	*	10/2010	Kim	.....	D14/250
D626,119	S	*	10/2010	Fellig	.....	D14/250
D631,246	S	*	1/2011	Boettner	.....	D3/218
D649,539	S	*	11/2011	Hong	.....	D14/250
D650,810	S	*	12/2011	Lemelman et al.	.....	D14/496
D653,202	S	*	1/2012	Hasbrook et al.	.....	D13/103
D653,656	S	*	2/2012	Charnas et al.	.....	D14/250

D654,931	S	*	2/2012	Lemelman et al.	.....	D14/496
D662,044	S	*	6/2012	Lemelman et al.	.....	D13/103
8,251,210	B2	*	8/2012	Schmidt et al.	.....	206/320
8,297,440	B2	*	10/2012	Schmidt et al.	.....	206/320
D671,493	S	*	11/2012	Hasbrook et al.	.....	D13/119
2009/0194444	A1	*	8/2009	Jones	.....	206/320
2010/0224519	A1	*	9/2010	Kao	.....	206/320
2012/0037524	A1	*	2/2012	Lonsdale et al.	.....	206/320

**OTHER PUBLICATIONS**

New York Colorblocked Pocket Silicone Phone Case, <URL:http://www.pronto.com/product/new-york-colorblocked-pocket-silicone-p\_2281363098>, retrieved from internet on Dec. 16, 2012.\*

\* cited by examiner

*Primary Examiner* — Carla Jobe Wright

(74) *Attorney, Agent, or Firm* — Notaro, Michalos & Zaccaria P.C.

(57) **CLAIM**

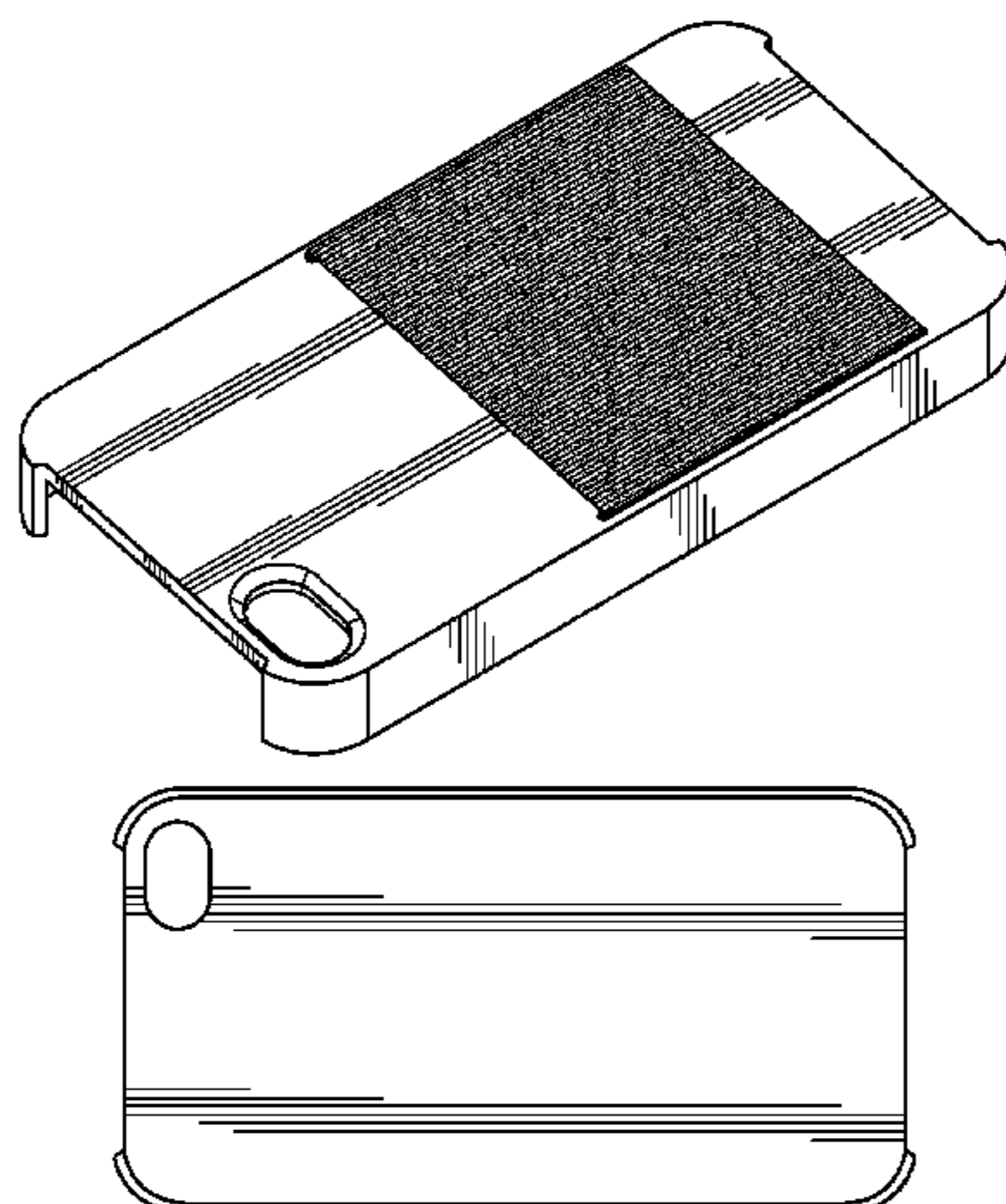
The ornamental design for a smart phone cover with cloth feature, as shown and described.

**DESCRIPTION**

FIG. 1 is a top, right perspective view of a smart phone cover with cloth feature showing my new design therefor;  
FIG. 2 is a bottom, right perspective view thereof;  
FIG. 3 is a top plan view thereof;  
FIG. 4 is a bottom plan view thereof;  
FIG. 5 is a right side view thereof;  
FIG. 6 is a left side view thereof;  
FIG. 7 is an end view thereof, the opposite end being identical;  
FIG. 8 is a top, right perspective view of a second embodiment of a smart phone cover with cloth feature;  
FIG. 9 is a bottom, right perspective view thereof;  
FIG. 10 is a top plan view thereof;  
FIG. 11 is a bottom plan view thereof;  
FIG. 12 is a right side view thereof;  
FIG. 13 is a left side view thereof; and,  
FIG. 14 is an end view thereof, the opposite end being identical.

The broken lines immediately adjacent the shaded surfaces represent boundaries of the claimed design. All other broken lines depict unclaimed environment. The broken lines form no part of the claimed design.

**1 Claim, 6 Drawing Sheets**



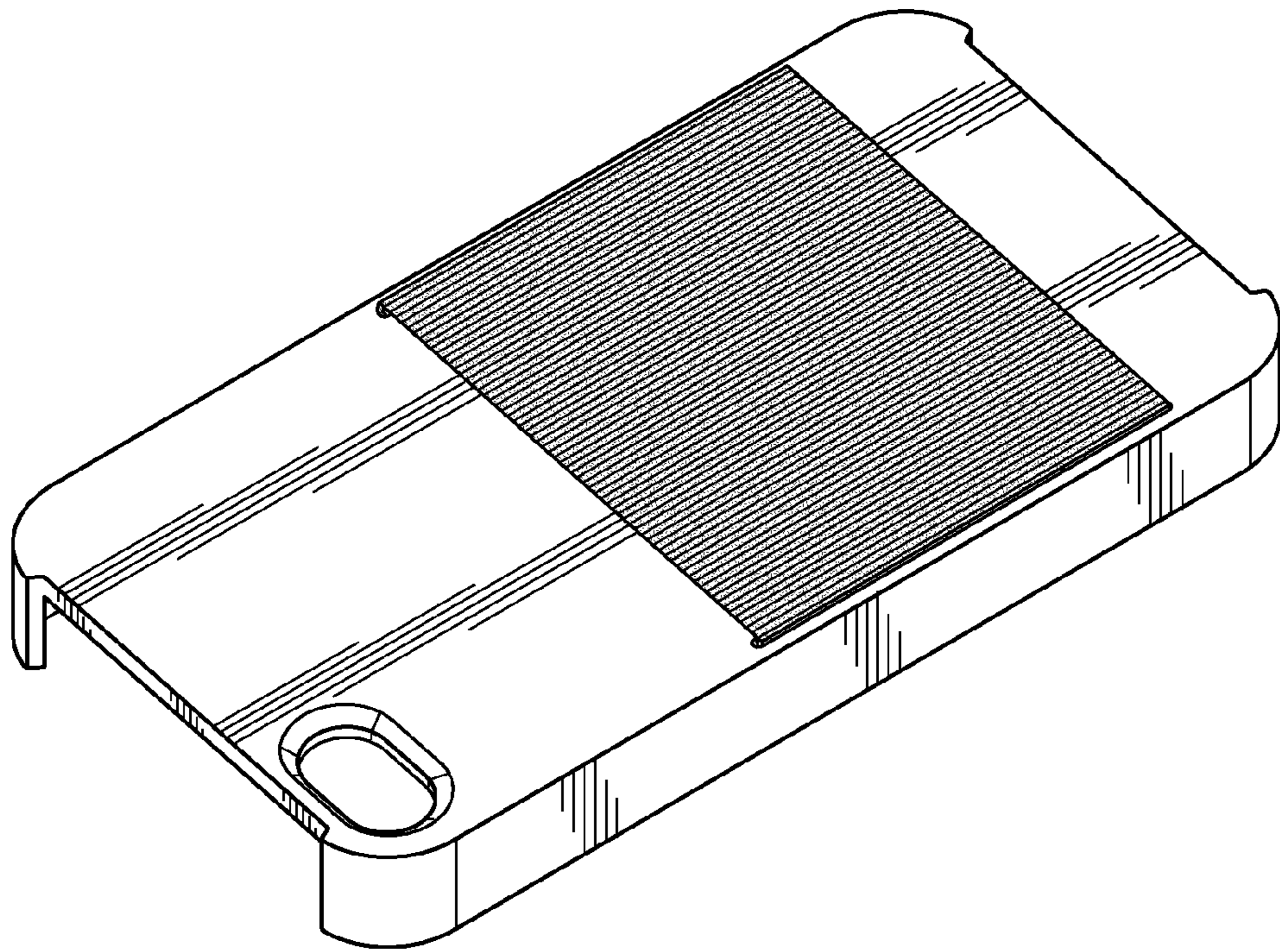


FIG. 1

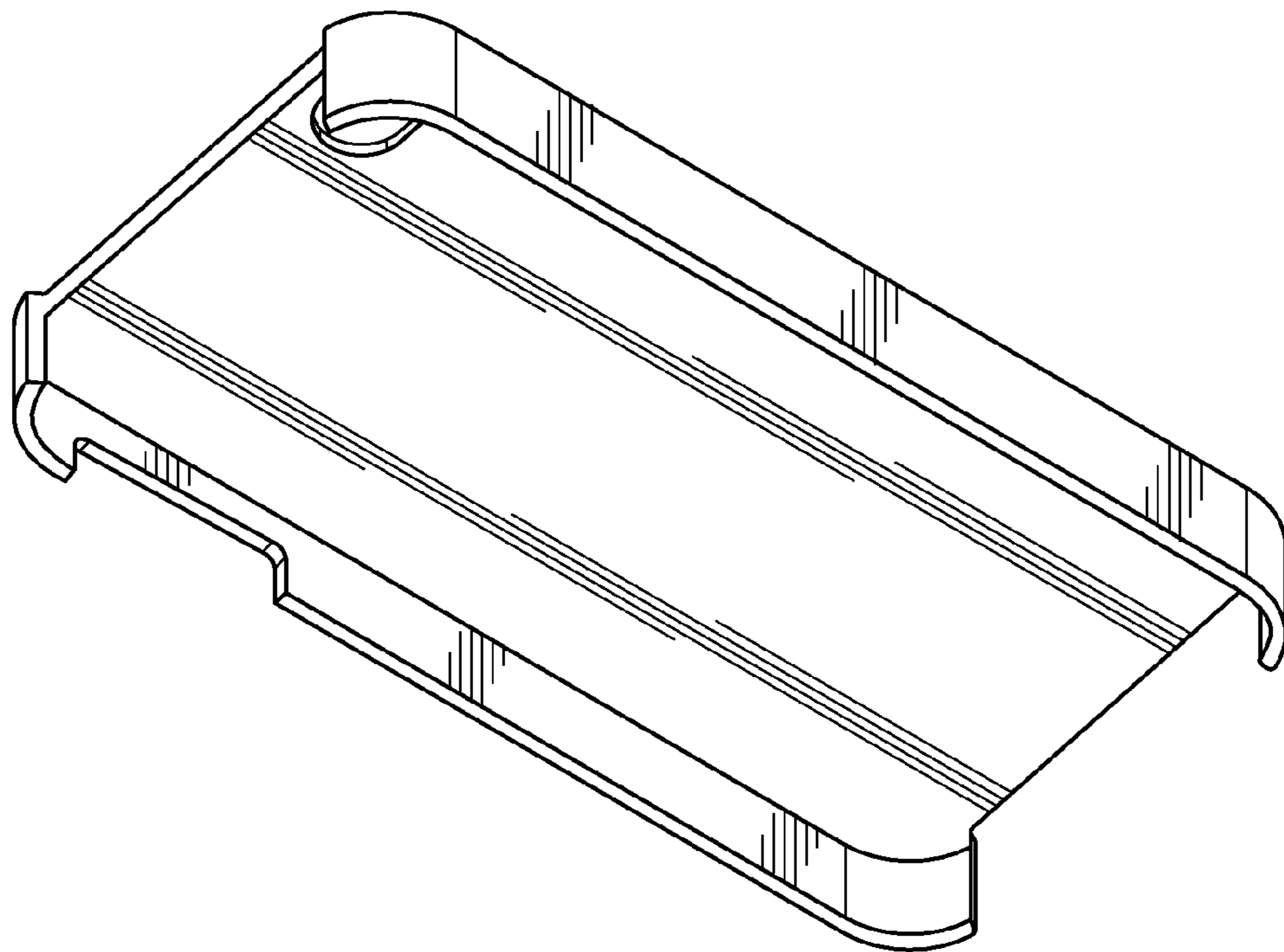


FIG. 2

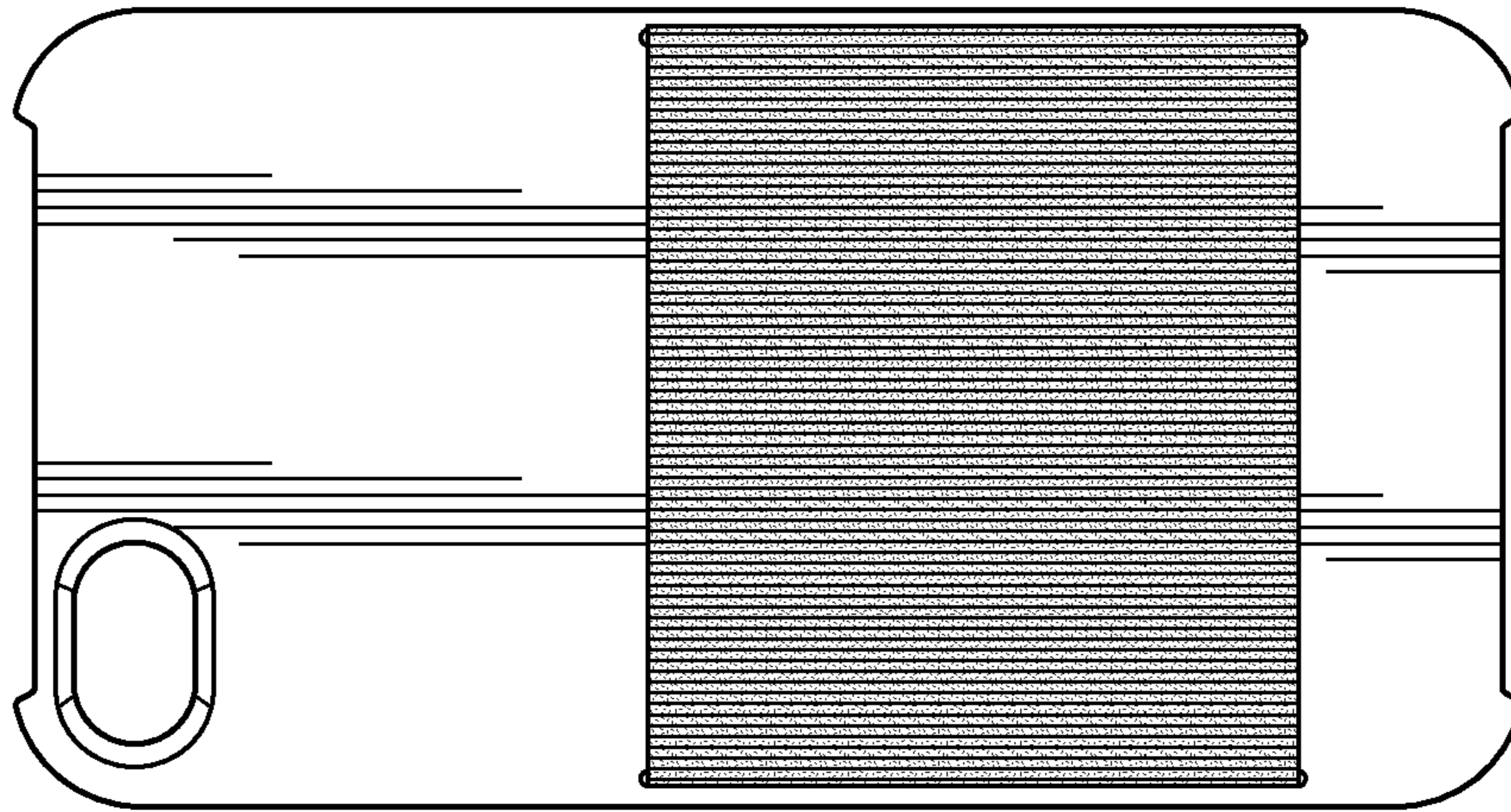


FIG. 3



FIG. 4



FIG. 5



FIG. 6



FIG. 7

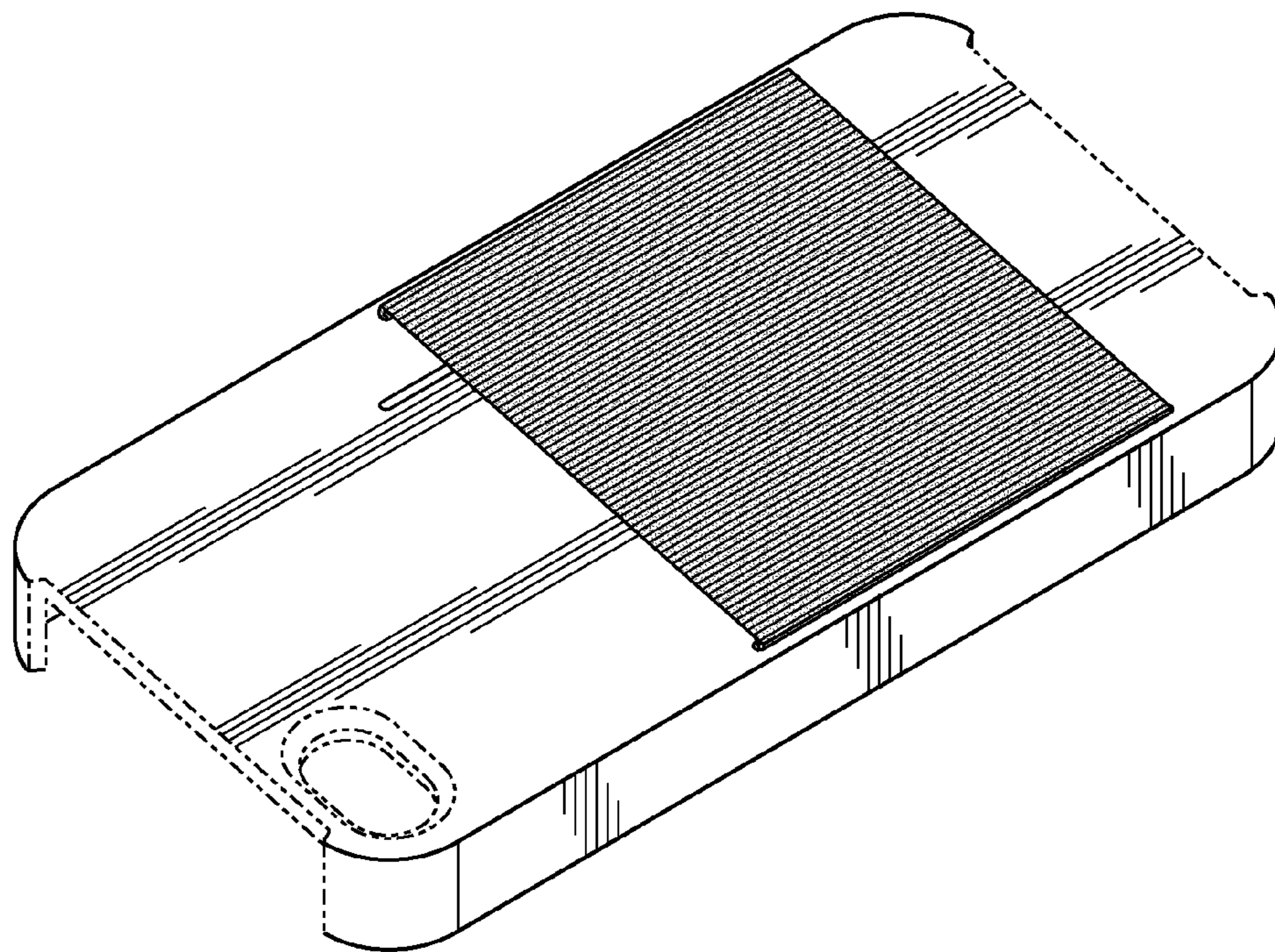


FIG. 8

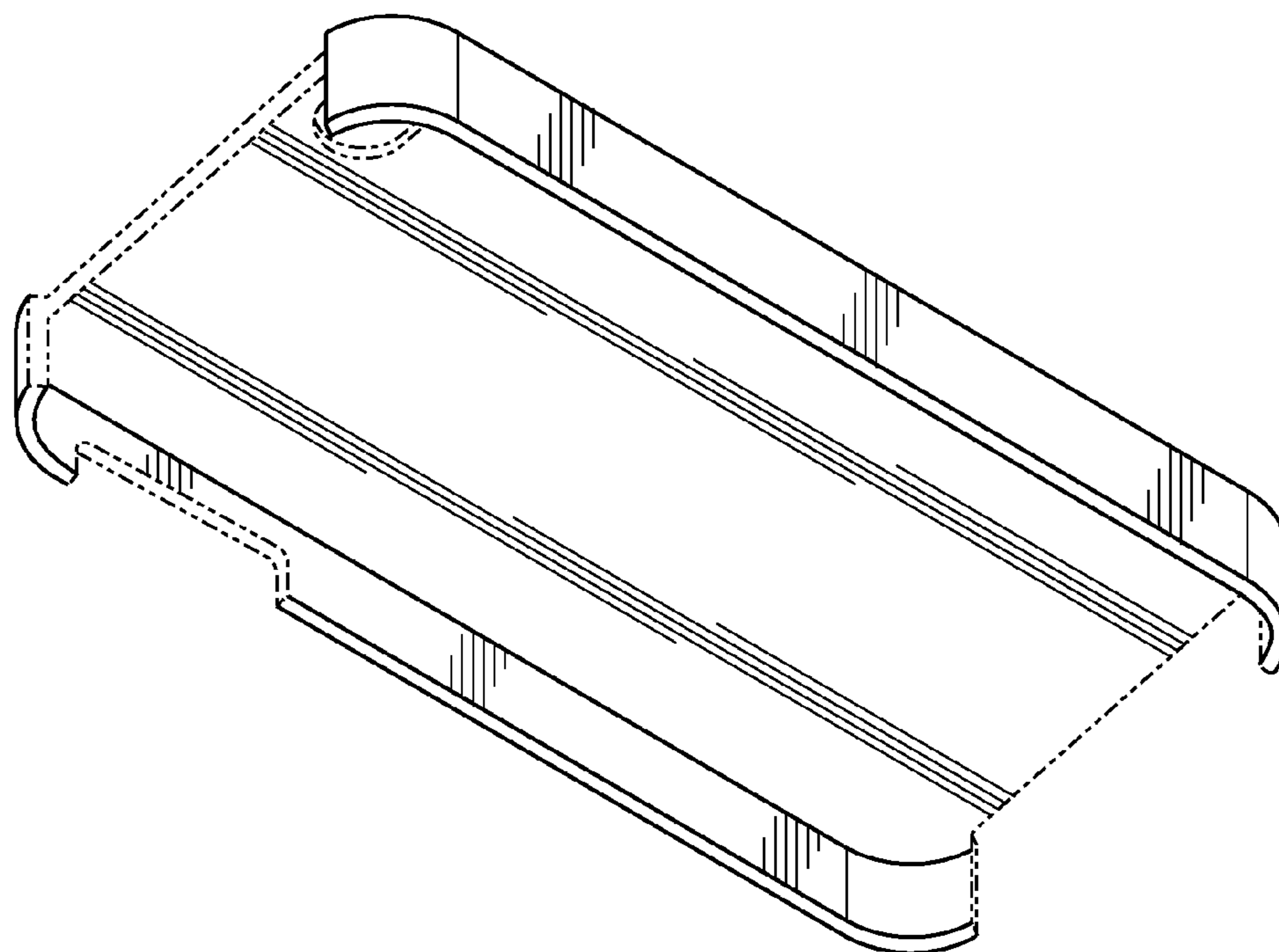


FIG. 9

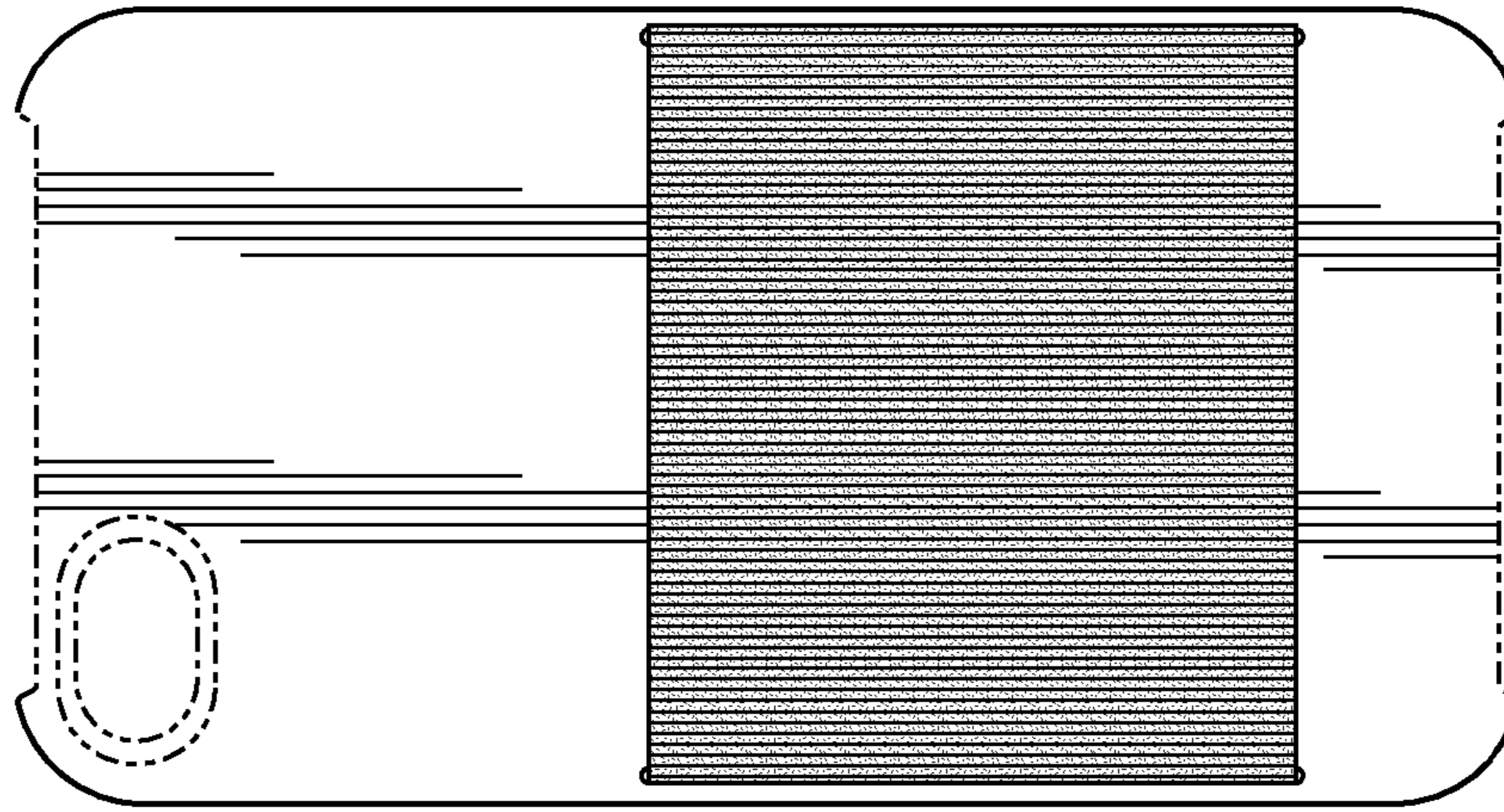


FIG. 10



FIG. 11

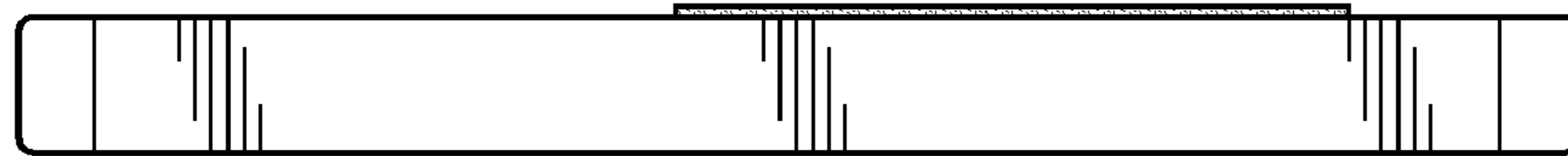


FIG. 12

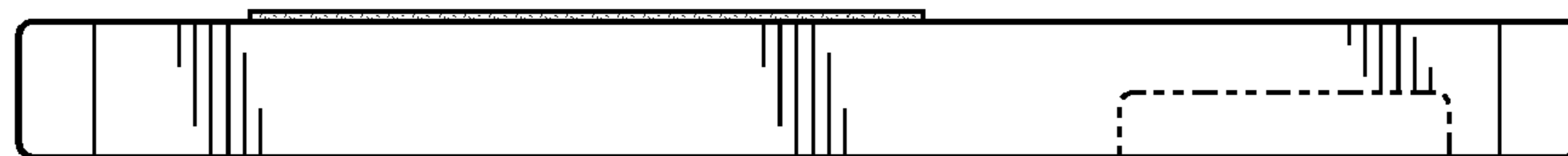


FIG. 13

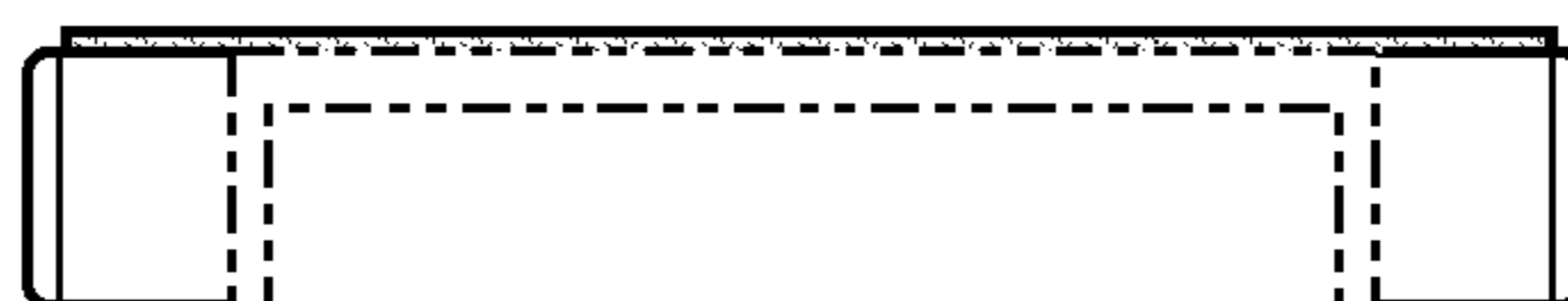


FIG. 14