



US00D678870S

(12) **United States Design Patent**  
**Fathollahi**

(10) **Patent No.:** **US D678,870 S**  
(45) **Date of Patent:** **\*\* Mar. 26, 2013**

- (54) **CASE**
- (75) **Inventor:** **Andy Fathollahi**, Irvine, CA (US)
- (73) **Assignee:** **Incipio Technologies, Inc.**, Irvine, CA (US)
- (\*\*) **Term:** **14 Years**
- (21) **Appl. No.:** **29/409,447**
- (22) **Filed:** **Dec. 22, 2011**

- D371,137 S 6/1996 Kriegh
- D387,199 S 12/1997 Nagele et al.
- D389,641 S 1/1998 McCutcheon et al.
- D392,097 S 3/1998 Pottala et al.
- 5,755,367 A 5/1998 Yamada
- D400,209 S 10/1998 Williams et al.
- D400,497 S 11/1998 Sabag et al.
- 5,833,053 A 11/1998 Wood et al.
- D406,191 S 3/1999 Phillips et al.
- 5,992,343 A 11/1999 Drover
- D419,290 S 1/2000 Treyer et al.
- 6,124,783 A 9/2000 Alexander
- D434,898 S 12/2000 Jokinen et al.
- D438,417 S 3/2001 Liu et al.
- 6,239,968 B1 5/2001 Kim et al.

(Continued)

**Related U.S. Application Data**

- (63) Continuation of application No. 29/357,338, filed on Mar. 10, 2010, now abandoned.
- (51) **LOC (9) Cl.** ..... **14-03**
- (52) **U.S. Cl.** ..... **D14/250**
- (58) **Field of Classification Search** ..... D3/201, D3/215, 218, 269, 273, 294; D14/140, 142, D14/203.3, 217, 218, 240, 242, 250–253, D14/299, 358, 440, 450; D13/103, 107, D13/108.119; 220/4.02; 224/119, 191, 240, 224/241, 245, 682, 683; 248/309.1; 361/679.3, 361/679.56; 379/454, 455; 455/575.1, 575.6, 455/575.7, 575.8, 575.9; 190/100; 206/305, 206/320

See application file for complete search history.

(56) **References Cited**

**U.S. PATENT DOCUMENTS**

- 754,329 A 3/1904 Milliken
- D107,221 S 11/1937 Dewsbury
- 2,888,533 A 5/1959 Koda et al.
- 2,967,714 A 1/1961 Rosario
- 3,192,978 A 7/1965 William-Horvath
- 4,551,379 A 11/1985 Kerr
- D287,905 S 1/1987 Oyamada
- D317,255 S 6/1991 Turk
- D320,992 S 10/1991 Jondelius
- D339,690 S 9/1993 Takahashi et al.
- D346,275 S 4/1994 Hayasaka et al.
- D354,620 S \* 1/1995 King et al. .... D3/218
- 5,386,098 A 1/1995 Knudsen
- 5,437,068 A 8/1995 Fisher

**FOREIGN PATENT DOCUMENTS**

WO DM/058570 11/2001

**OTHER PUBLICATIONS**

Black dotties™ Silicone Case for Apple iPhone 3G 3GS, <URL:http://www.myincipio.com/product/iPhone\_3G-IPH-450, retrieved from internet May 9, 2010.

(Continued)

*Primary Examiner* — Raphael Barkai  
*Assistant Examiner* — Randall Gholson  
(74) *Attorney, Agent, or Firm* — Knobbe Martens Olson & Bear LLP

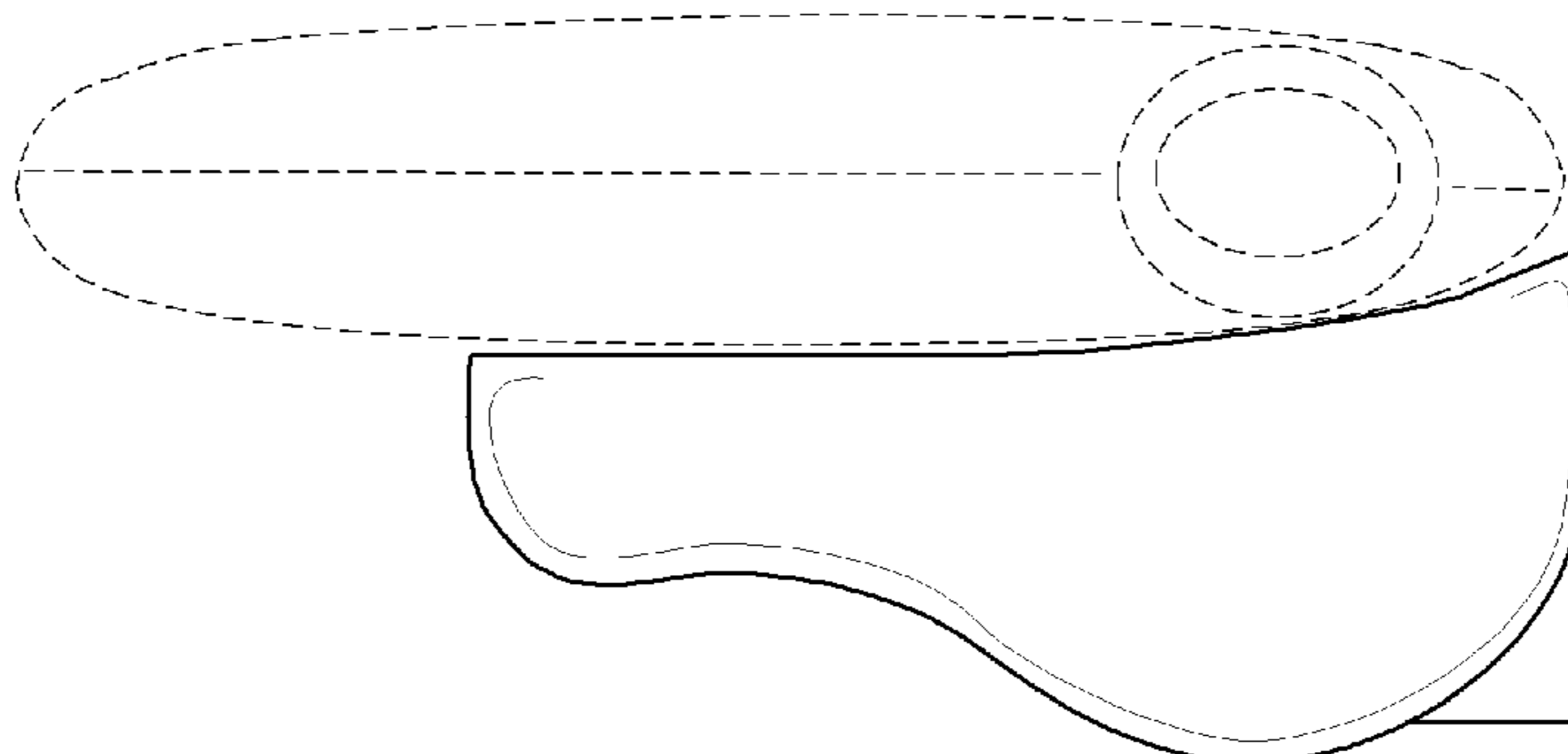
(57) **CLAIM**

I claim the ornamental design for a case, as shown and described.

**DESCRIPTION**

FIG. 1 is a top end view of a case showing my new design; FIG. 2 is a bottom end view of the embodiment of FIG. 1; FIG. 3 is a left side view of the embodiment of FIG. 1; FIG. 4 is a right side view of the embodiment of FIG. 1; FIG. 5 is a front view of the embodiment of FIG. 1; FIG. 6 is a back view of the embodiment of FIG. 1; FIG. 7 is a back perspective view of the embodiment of FIG. 1; and, FIG. 8 is a front perspective separated view of FIG. 1. The broken lines in FIGS. 1-8 are for illustrative purposes only and form no part of the claimed design.

**1 Claim, 7 Drawing Sheets**



U.S. PATENT DOCUMENTS

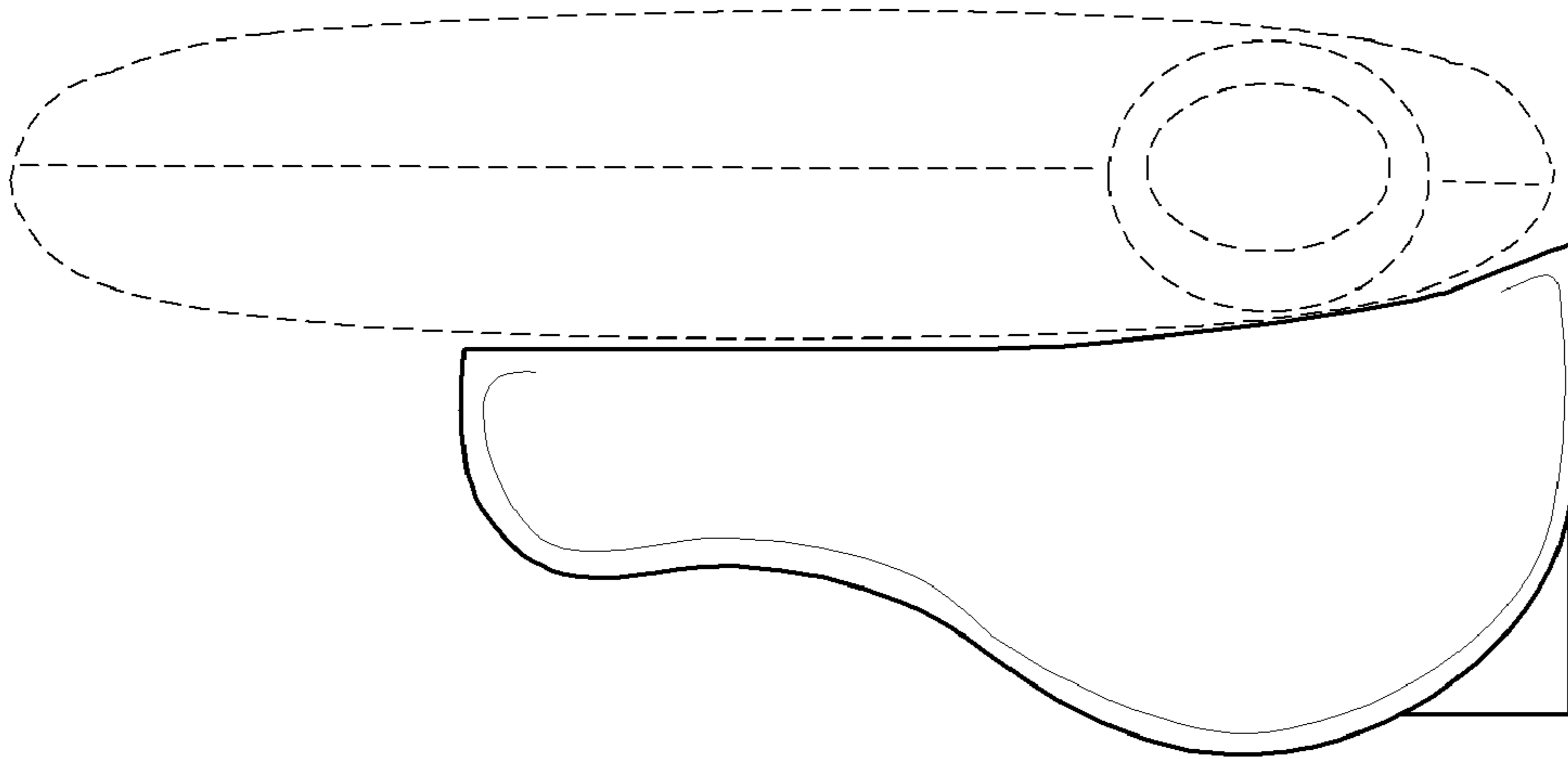
6,273,252 B1 8/2001 Mitchell  
D455,746 S 4/2002 Ronzani et al.  
D462,514 S 9/2002 Rivera et al.  
6,445,577 B1 9/2002 Madsen et al.  
6,456,487 B1 9/2002 Hetterick  
6,471,056 B1 10/2002 Tzeng  
D466,287 S 12/2002 Tanaka  
6,519,141 B2 2/2003 Tseng et al.  
6,536,589 B2 3/2003 Chang  
6,646,864 B2 11/2003 Richardson  
D489,162 S 5/2004 Dings-Plooij  
D495,871 S 9/2004 Moffitt et al.  
D499,546 S 12/2004 Smithers  
6,854,412 B1 2/2005 Courson et al.  
6,866,266 B1 3/2005 Thorne  
D503,532 S \* 4/2005 Andre et al. .... D3/218  
6,938,899 B2 9/2005 Kenney et al.  
6,954,047 B2 10/2005 Neubauer  
6,995,976 B2 2/2006 Richardson  
D516,554 S 3/2006 Richardson et al.  
D521,232 S 5/2006 Andre et al.  
D526,780 S 8/2006 Richardson et al.  
7,097,233 B2 8/2006 Sogame et al.  
D529,713 S 10/2006 Guyot et al.  
D530,079 S 10/2006 Thomas et al.  
7,158,376 B2 1/2007 Richardson et al.  
7,180,735 B2 2/2007 Thomas et al.  
D541,296 S 4/2007 Kim  
D542,524 S 5/2007 Richardson et al.  
D543,541 S 5/2007 Chung et al.  
7,230,823 B2 6/2007 Richardson et al.  
7,261,204 B2 8/2007 Zaidi et al.  
D553,352 S 10/2007 Allen  
D553,357 S 10/2007 Zimmerman  
7,312,984 B2 12/2007 Richardson et al.  
D561,724 S 2/2008 Kim et al.  
D561,986 S 2/2008 Horne et al.  
D565,290 S 4/2008 Brandenburg et al.  
D570,593 S 6/2008 Justiss  
D575,056 S 8/2008 Tan  
D581,151 S 11/2008 Aipa  
D581,155 S 11/2008 Richardson et al.  
D581,421 S 11/2008 Richardson et al.  
D587,008 S 2/2009 Richardson et al.  
D589,016 S 3/2009 Richardson et al.  
D589,486 S 3/2009 He  
D593,319 S 6/2009 Richardson et al.  
D593,746 S 6/2009 Richardson et al.  
D597,089 S 7/2009 Khan et al.  
D597,301 S 8/2009 Richardson et al.  
D598,407 S 8/2009 Richardson et al.  
D600,087 S \* 9/2009 DiPasquale ..... D8/69  
D600,908 S 9/2009 Richardson et al.  
7,594,576 B2 9/2009 Chen et al.  
7,609,512 B2 10/2009 Richardson et al.  
D603,602 S 11/2009 Richardson et al.  
D603,603 S 11/2009 Laine et al.  
D605,850 S 12/2009 Richardson et al.  
D606,529 S 12/2009 Ferrari et al.  
D607,446 S 1/2010 Ferrari et al.

D609,463 S 2/2010 Bullen  
D609,464 S 2/2010 Bullen  
7,663,879 B2 2/2010 Richardson et al.  
D610,807 S 3/2010 Bau  
D611,042 S 3/2010 Ferrari et al.  
D611,478 S 3/2010 Richardson et al.  
7,688,580 B2 3/2010 Richardson et al.  
D615,536 S 5/2010 Richardson et al.  
D616,361 S 5/2010 Huang  
D625,283 S 10/2010 Okada et al.  
D625,698 S 10/2010 Miyazaki et al.  
D634,313 S 3/2011 Fitzpatrick et al.  
D641,756 S 7/2011 Hsieh et al.  
D641,974 S \* 7/2011 Stampfli ..... D3/218  
D649,144 S 11/2011 Fathollahi  
8,056,167 B2 11/2011 Cheung et al.  
D663,947 S \* 7/2012 Jertson ..... D3/218  
2003/0052786 A1 3/2003 Dickinson  
2003/0151890 A1 8/2003 Huang et al.  
2004/0057199 A1 3/2004 Azuchi  
2004/0236258 A1 11/2004 Burns et al.  
2005/0242941 A1 11/2005 Chao  
2005/0247584 A1 11/2005 Lu  
2006/0052064 A1 3/2006 Goradesky  
2006/0231713 A1 10/2006 Crain et al.  
2007/0165367 A1 7/2007 Chung  
2008/0012383 A1 1/2008 Larson  
2008/0316687 A1 12/2008 Richardson et al.  
2009/0009945 A1 1/2009 Johnson et al.  
2009/0034169 A1 2/2009 Richardson et al.  
2009/0080153 A1 3/2009 Richardson et al.  
2009/0111543 A1 4/2009 Tai et al.  
2009/0139010 A1 6/2009 Bevier  
2009/0154095 A1 6/2009 Would  
2010/0008028 A1 1/2010 Richardson et al.  
2010/0051712 A1 3/2010 Lebeck  
2010/0096284 A1 4/2010 Bau  
2010/0203931 A1 8/2010 Hyneczek et al.  
2011/0036876 A1 2/2011 Fathollahi

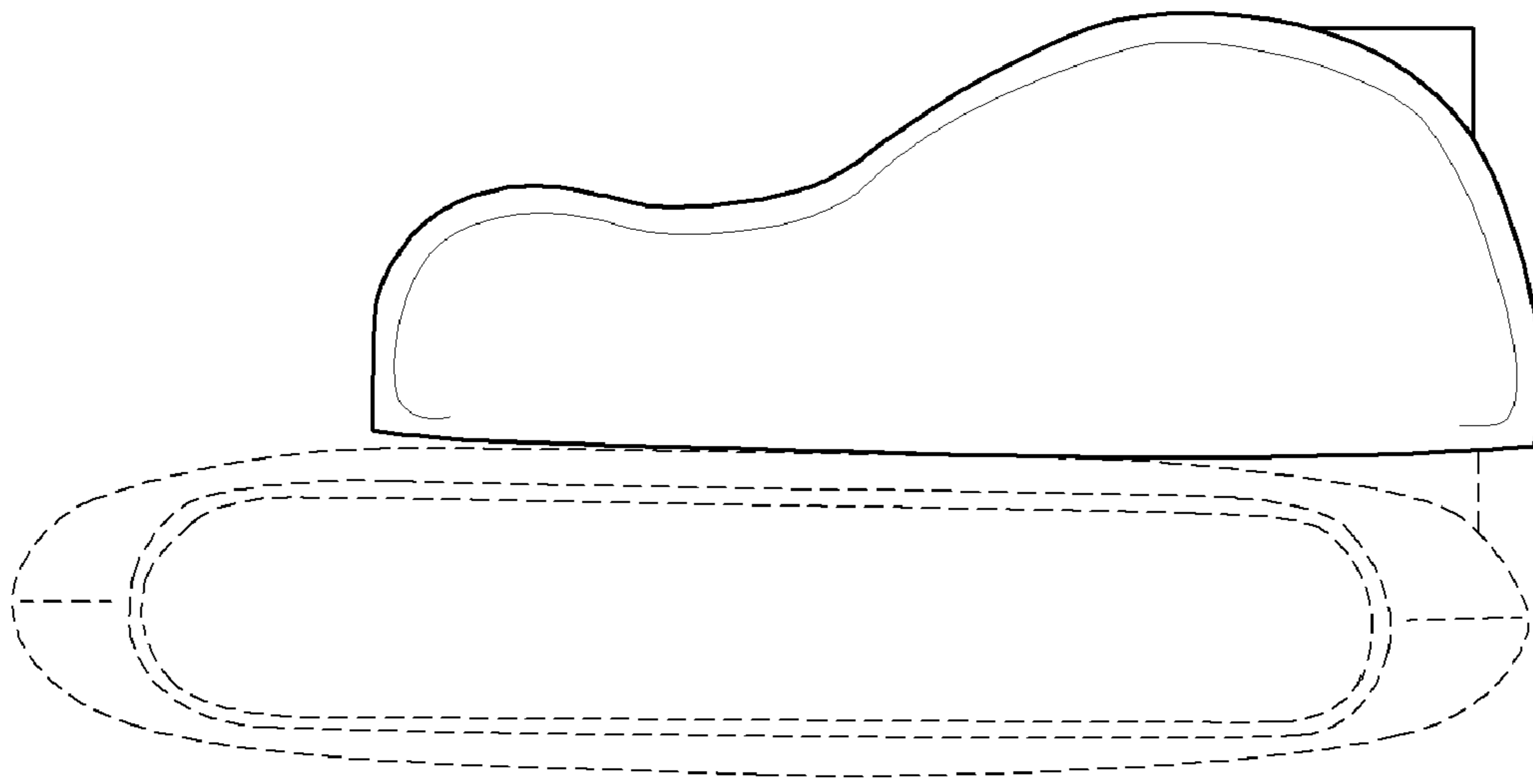
OTHER PUBLICATIONS

The OtterBox Commuter Series 3GS for iPhone, <URL:http://www.otterbox.com/iphone-cases/iphone-3g-3gs-cases, retrieved from internet May 9, 2010.  
Seidio FlexArmor, <URL:http://www.seidioonline.com/PhotoGallery.asp?, retrieved from internet May 9, 2010.  
Silicylic Polycarbonate Case with Silicone Core for iPhone 3G 3GS—Olive Green, <URL:http://www.myincipio.com/product/IPHONE\_3G\_IPH-617, retrieved from internet May 9, 2010.  
BlackBerry Storm Computer Series Case, URL:http://www.otterbox.com/blackberry-storm-commuter-case/> Mar. 24, 2010.  
Incipio Holster for Motorola RAZR, URL:http://www.myincipio.com/products/RAZR\_HOLSTER\_ID-279/Incipio-Ultra\_Light-weight-Motorola-V3, v3m-v3i-v3c-RAZR-Magnesium-Play-Thru-Holster-Belt-Carrying-Case--Pink.html, Mar. 24, 2010.  
U.S. Appl. No. 29/357,338, filed Mar. 10, 2010, which has been abandoned.

\* cited by examiner



*FIG. 1*



*FIG. 2*

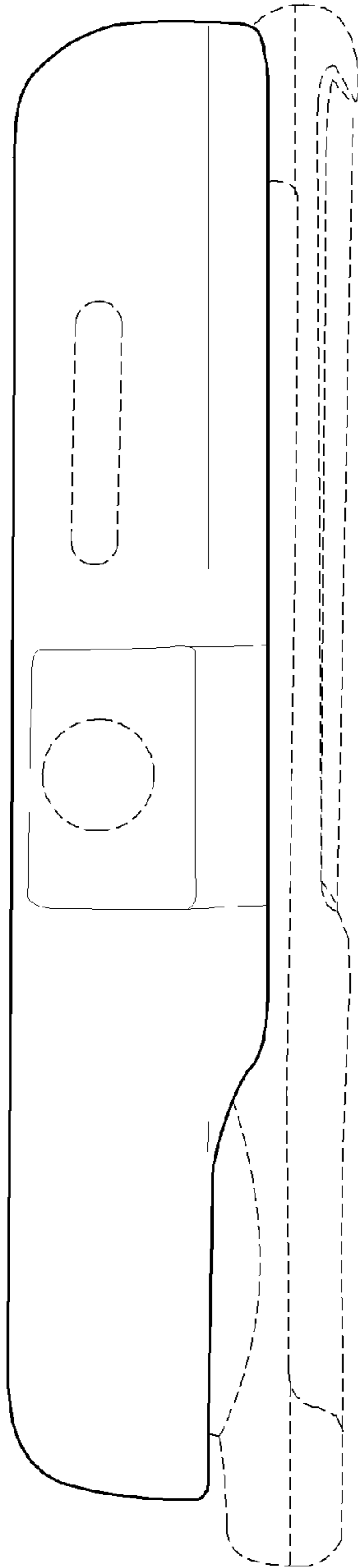


FIG. 3

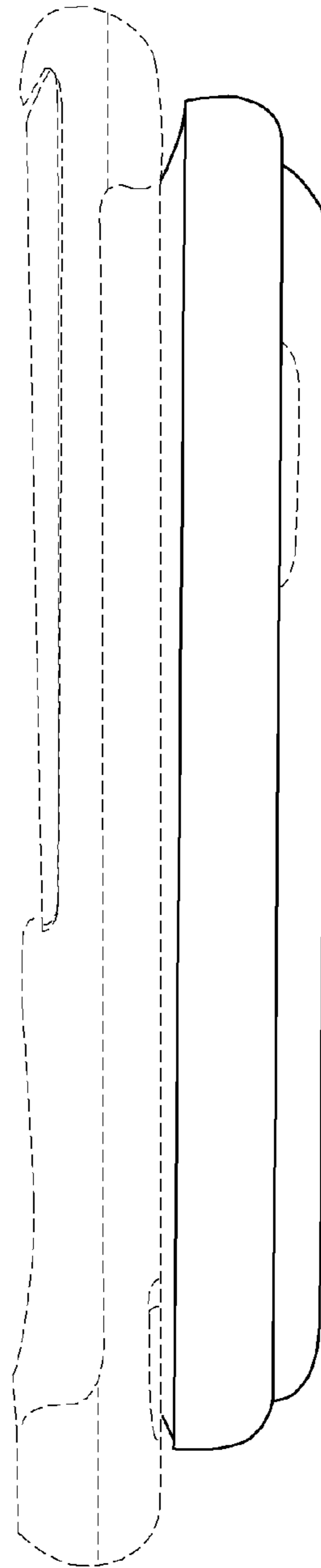
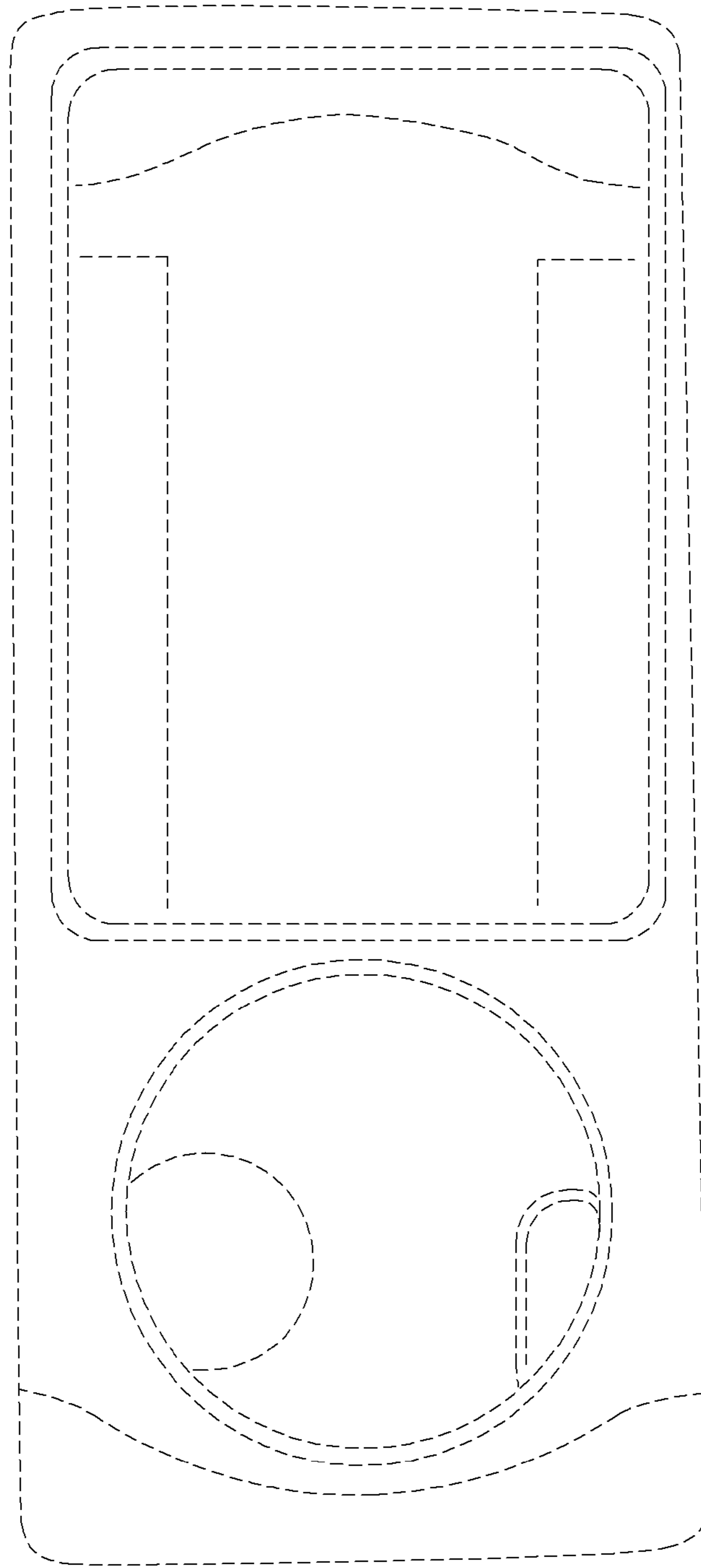


FIG. 4



*FIG. 5*

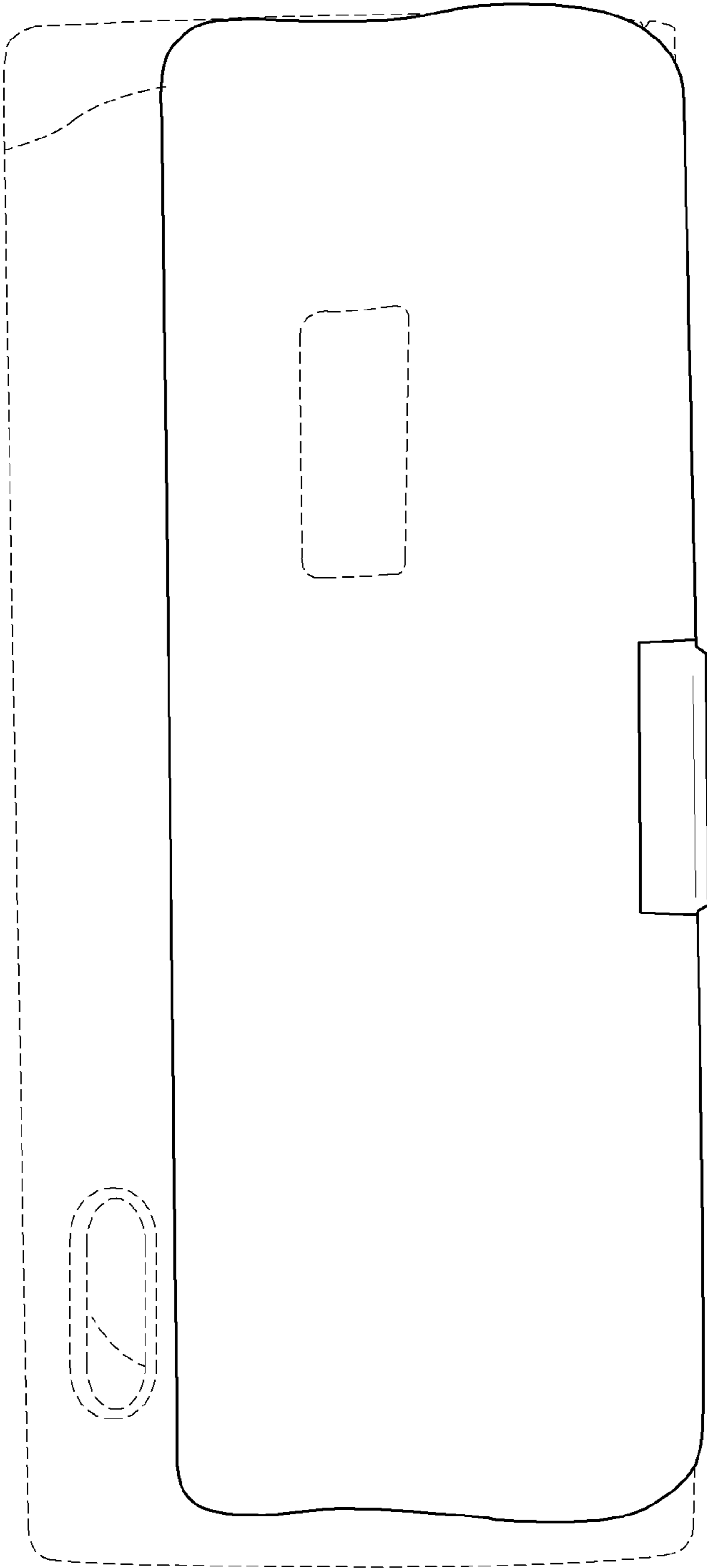
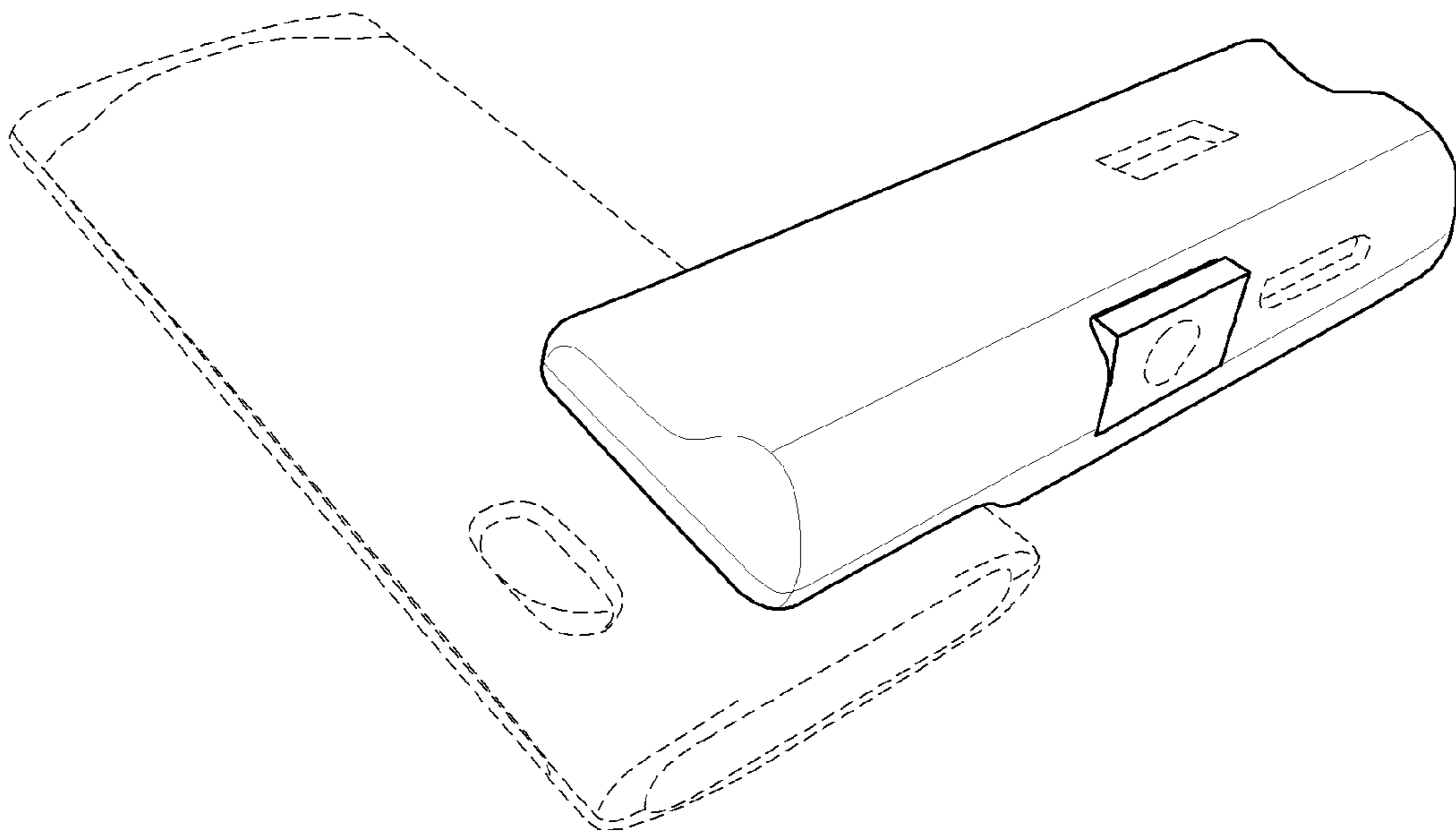
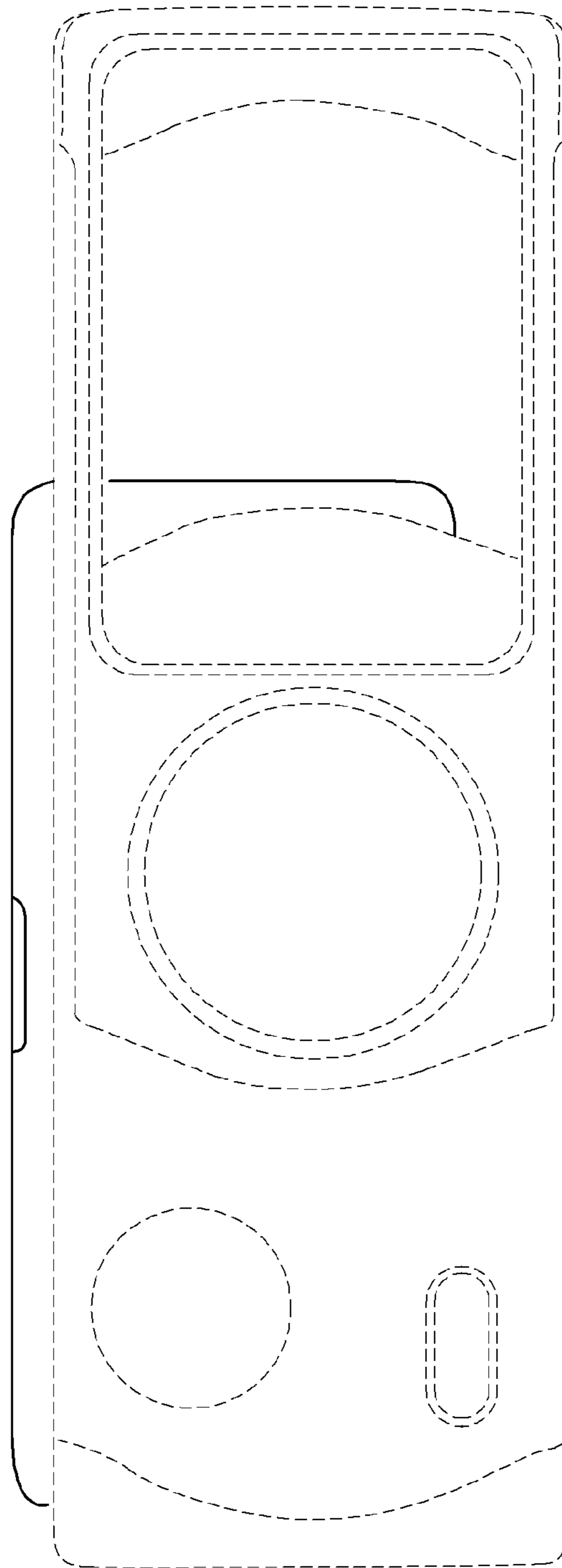


FIG. 6



*FIG. 7*





*FIG. 8*