



US00D678867S

(12) **United States Design Patent**
Matsumura

(10) **Patent No.:** **US D678,867 S**

(45) **Date of Patent:** **** *Mar. 26, 2013**

(54) **SPEAKER FOR AUTOMOBILE**

D608,764 S * 1/2010 Oishi et al. D14/216
D635,551 S * 4/2011 Wada D14/216
D635,553 S * 4/2011 Yagihashi et al. D14/216

(75) Inventor: **Takashi Matsumura**, Kawasaki (JP)

(73) Assignee: **Pioneer Corporation**, Kawasaki-shi,
Kanagawa (JP)

(*) Notice: This patent is subject to a terminal disclaimer.

(**) Term: **14 Years**

(21) Appl. No.: **29/393,099**

(22) Filed: **May 31, 2011**

(30) **Foreign Application Priority Data**

Dec. 2, 2010 (JP) D2010-028801

(51) **LOC (9) Cl.** **14-01**

(52) **U.S. Cl.** **D14/216; D14/204**

(58) **Field of Classification Search** D14/204,
D14/209-216, 219, 220; 181/143, 144, 147,
181/148, 150, 151, 198, 199, 153; 381/330-302,
381/333, 345, 361-364, 386-388, 332, 336
See application file for complete search history.

(56) **References Cited**

U.S. PATENT DOCUMENTS

1,666,303 A * 4/1928 Platt 109/21.5
4,837,839 A * 6/1989 Andrews 381/182
4,965,837 A * 10/1990 Murayama et al. 381/186
4,972,675 A * 11/1990 Kawahara et al. 60/488
D422,206 S * 4/2000 Clark D8/400
D542,779 S * 5/2007 Pantaleone D14/216
D579,916 S * 11/2008 Ichikawa D14/216
D593,542 S * 6/2009 Kurihara D14/216
D596,620 S * 7/2009 Ichikawa et al. D14/216
D608,345 S * 1/2010 Oishi et al. D14/216

FOREIGN PATENT DOCUMENTS

JP 1302642 6/2007
JP 1318734 1/2008
JP 1329080 5/2008
JP 1329110 5/2008

OTHER PUBLICATIONS

U.S. Appl. No. 29/393,102, filed May 31, 2011, Takashi Matsumura.
U.S. Office Action dated Jul. 27, 2012 that issued in U.S. Appl. No.
29/393,102 including a Double Patenting Rejection on pp. 4-5.

* cited by examiner

Primary Examiner — Prabhakar Deshmukh

(74) *Attorney, Agent, or Firm* — Drinker Biddle & Reath
LLP

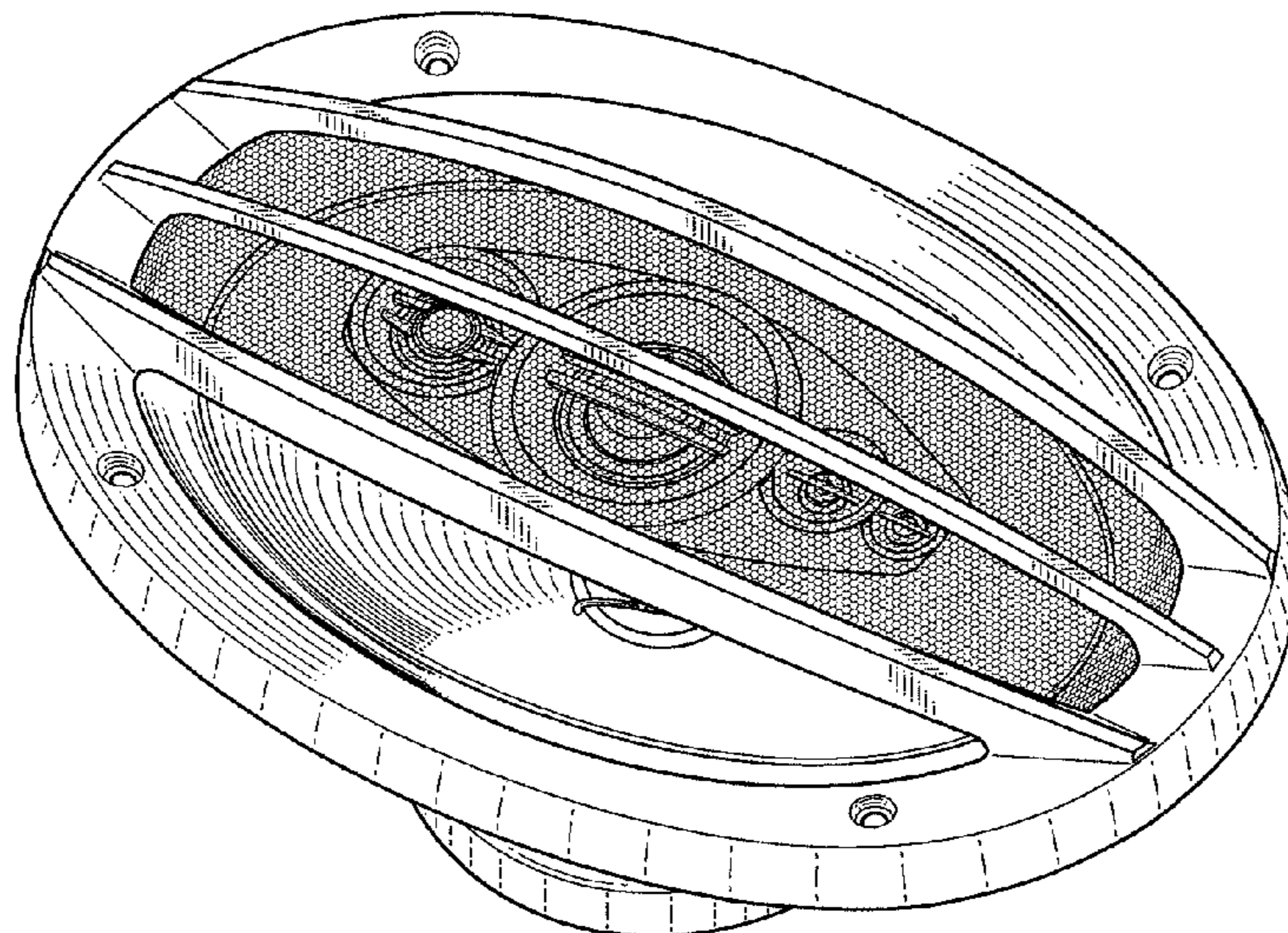
(57) **CLAIM**

The ornamental design for a speaker for automobile, as shown
and described.

DESCRIPTION

FIG. 1 is a perspective view of the front, bottom and right side
of a speaker for automobile showing my new design;
FIG. 2 is a right side view thereof;
FIG. 3 is a left side view thereof;
FIG. 4 is a front view thereof;
FIG. 5 is a front view showing a state without the grill thereof;
FIG. 6 is a bottom view thereof;
FIG. 7 is a top plan view thereof; and,
FIG. 8 is a rear view thereof.
The elements shown in broken lines are for illustrative pur-
poses only and form no part of the claimed design.

1 Claim, 5 Drawing Sheets



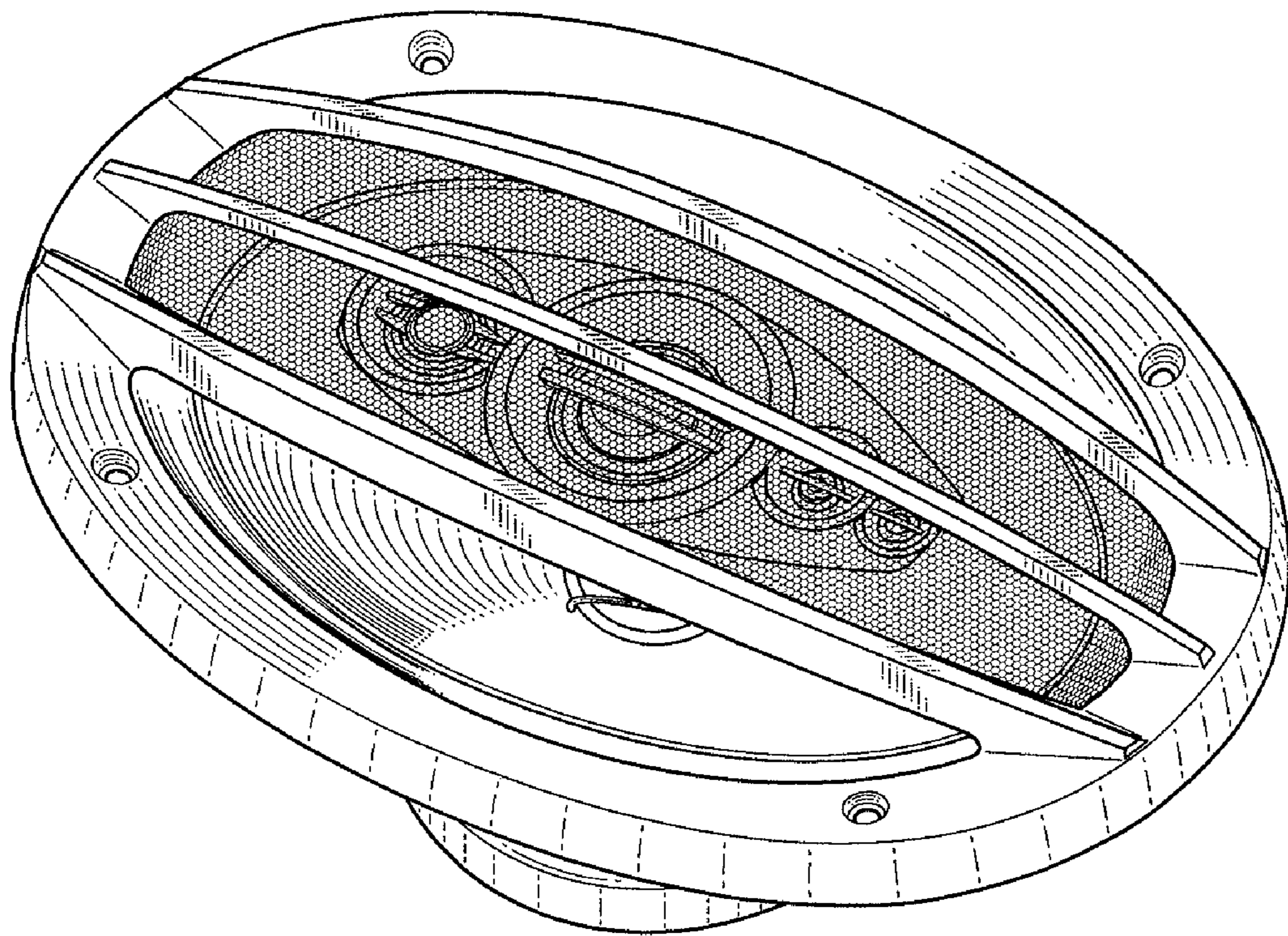


FIG. 1

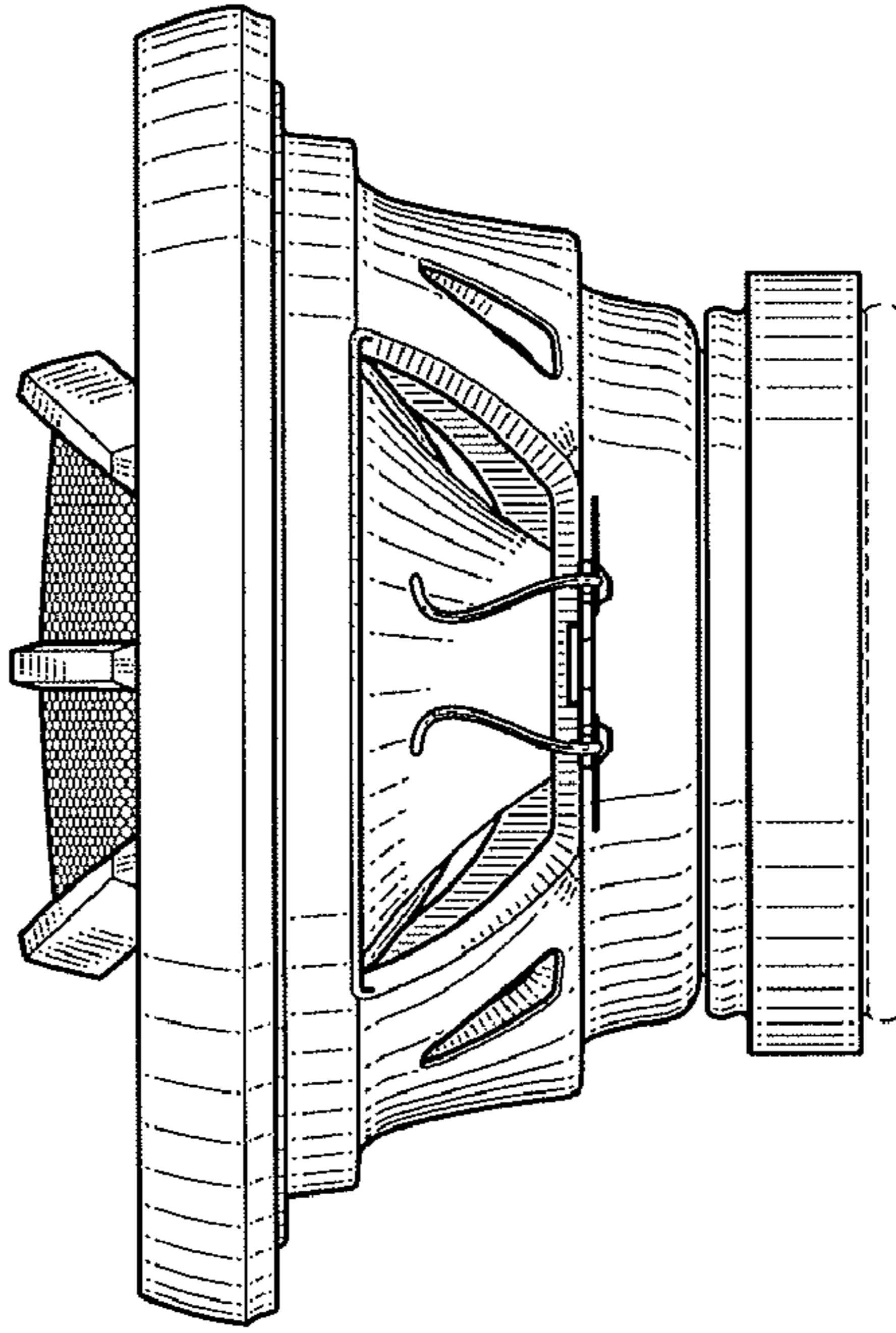


FIG. 2

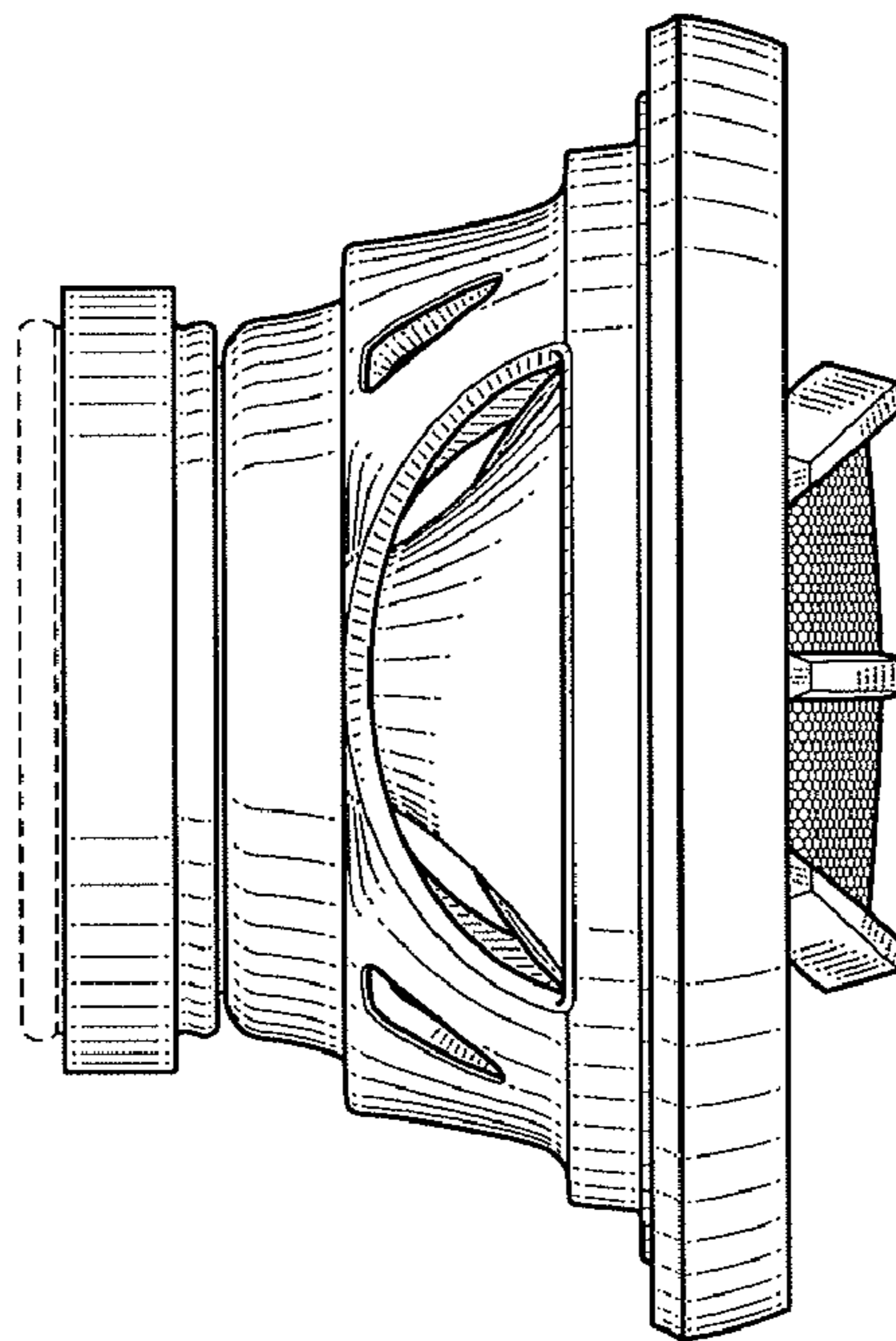


FIG. 3

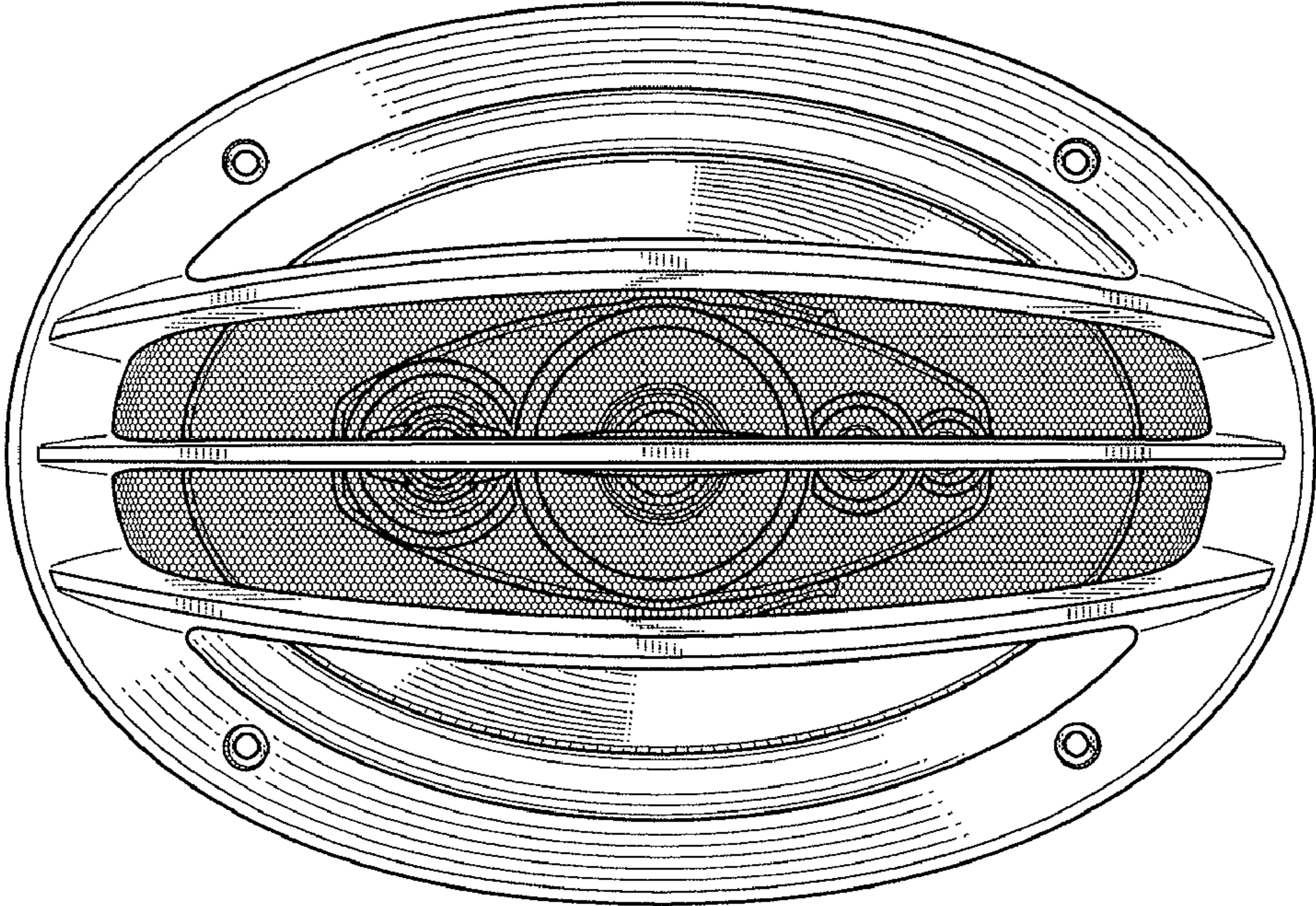


FIG. 4

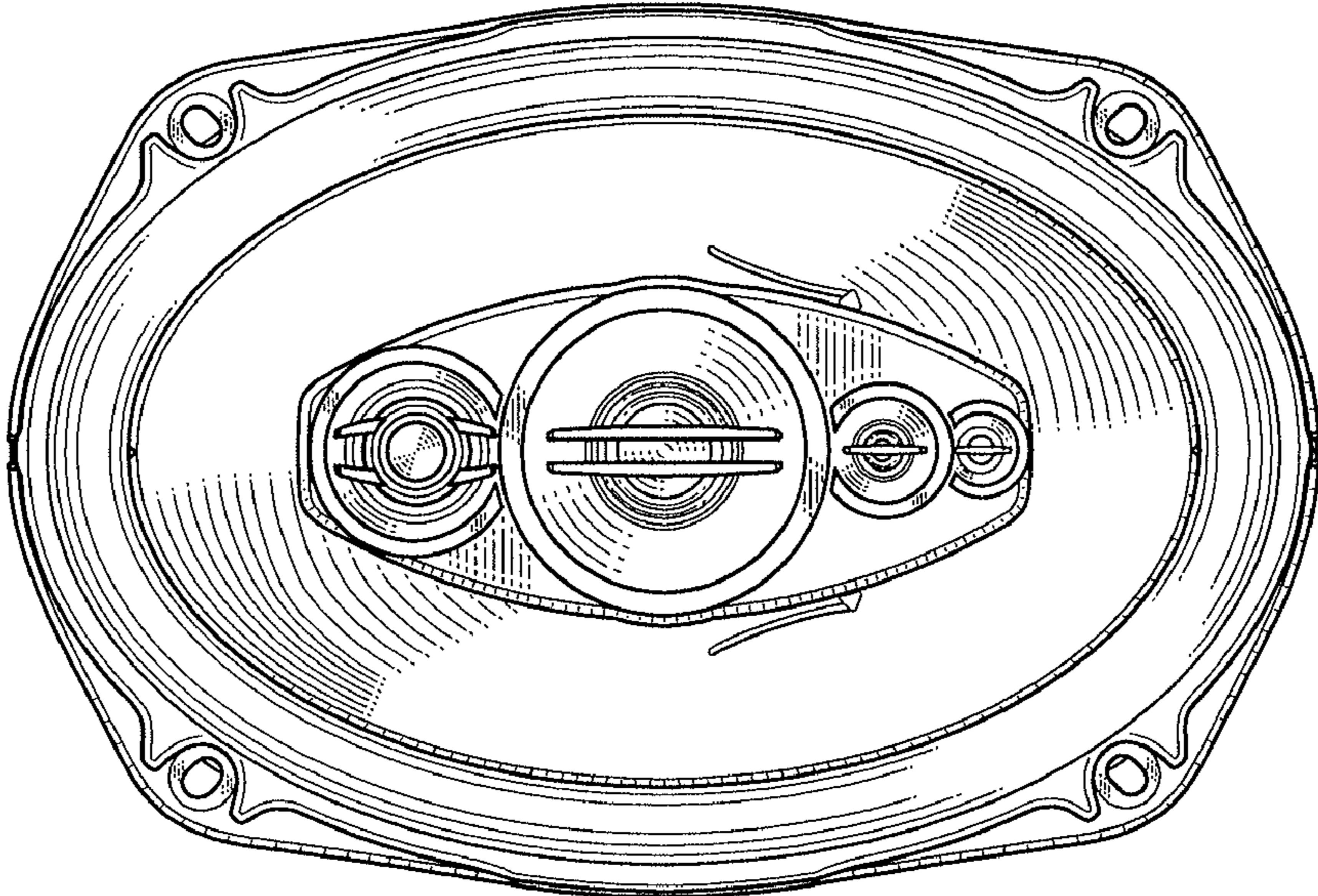


FIG. 5

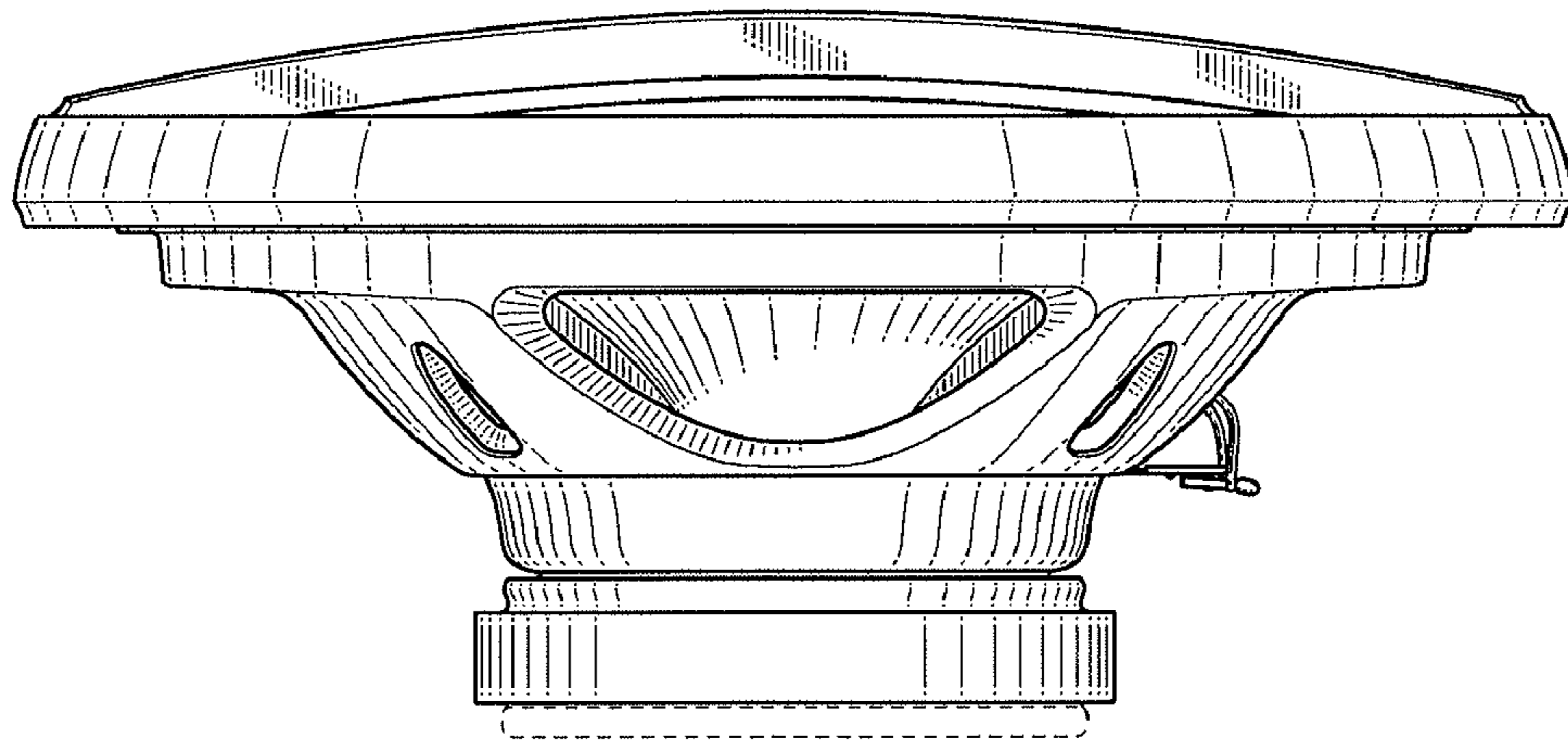


FIG. 6

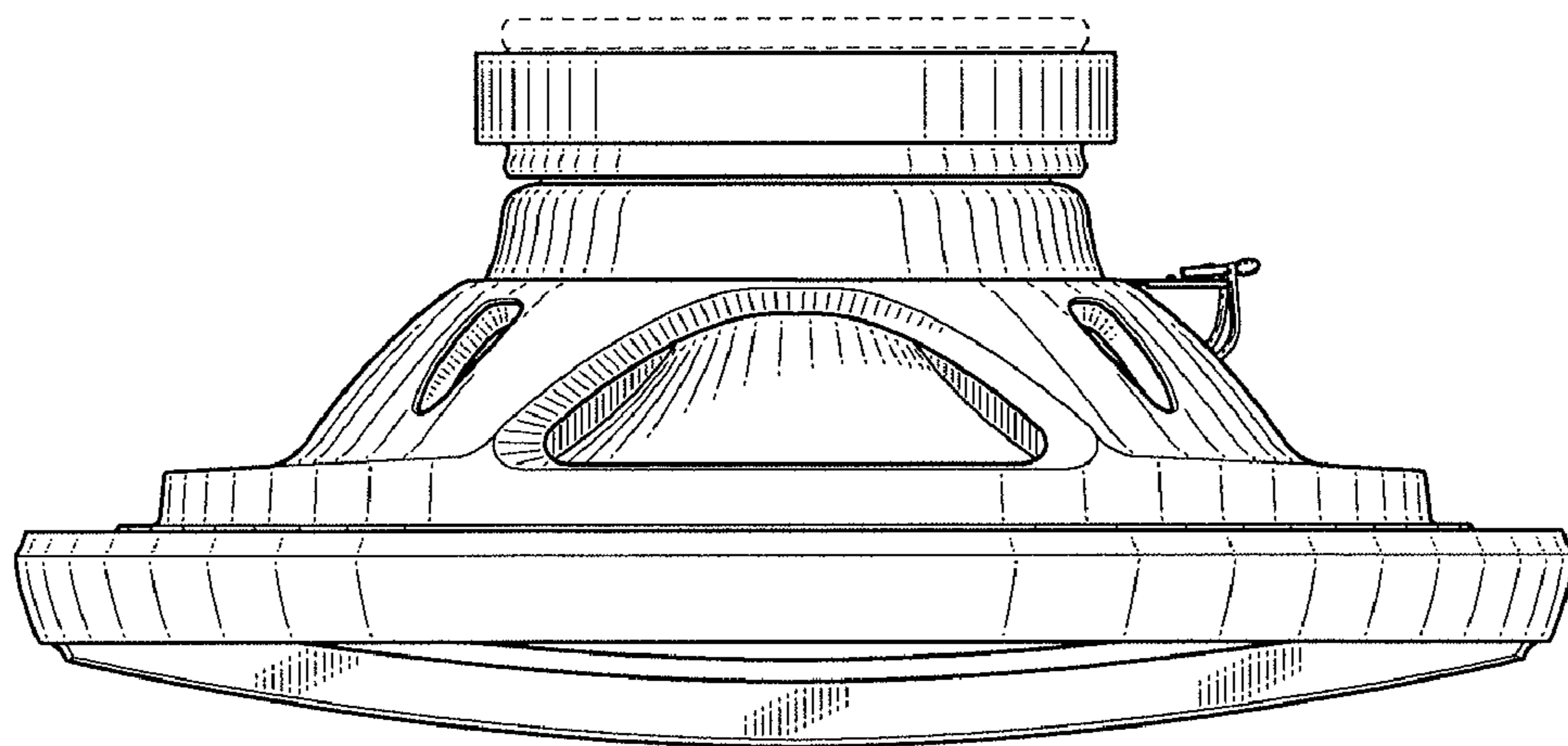


FIG. 7

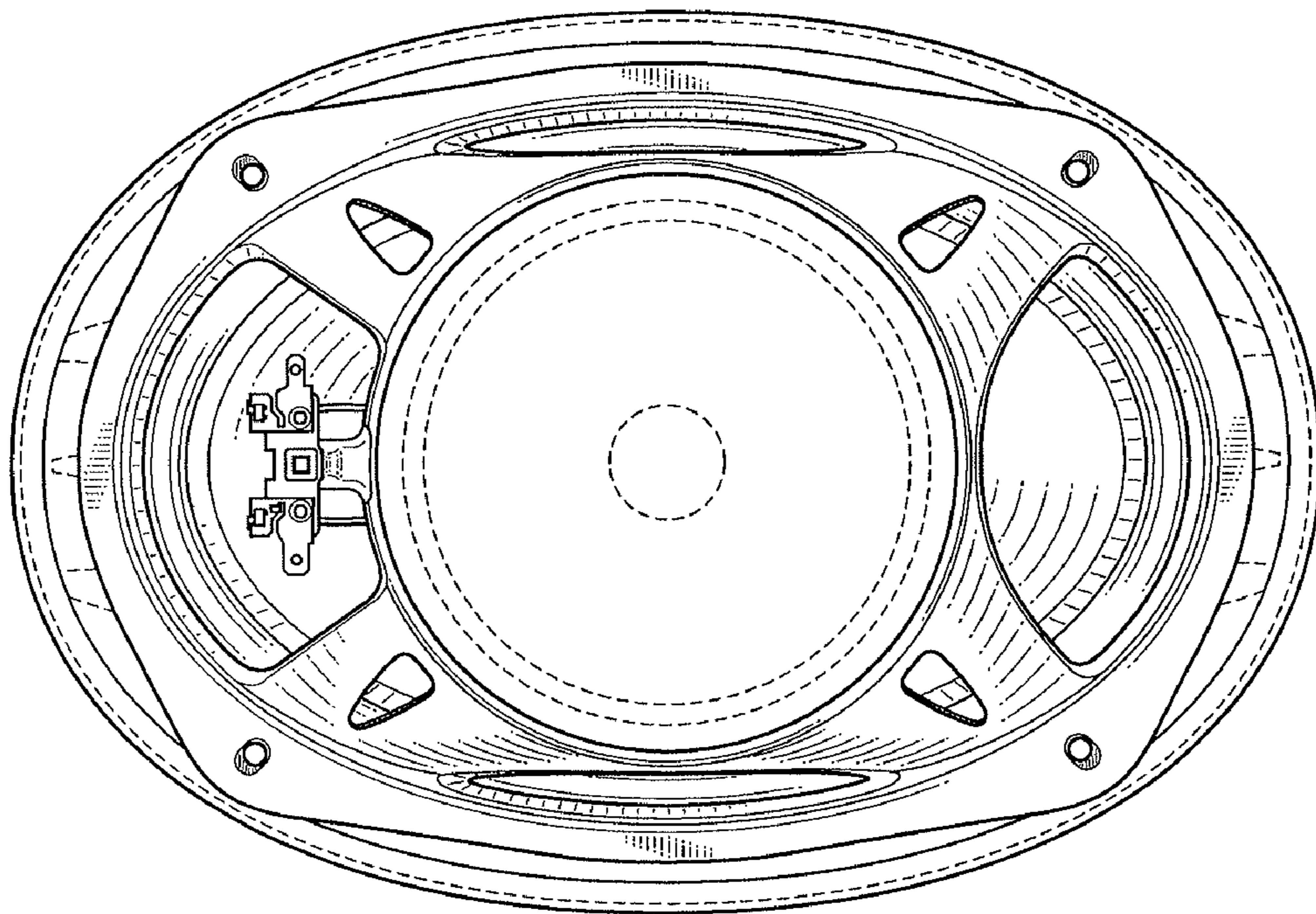


FIG. 8