

US00D678866S

(12) **United States Design Patent**  
**Davies et al.**

(10) **Patent No.:** **US D678,866 S**  
(45) **Date of Patent:** **\*\* Mar. 26, 2013**

(54) **LOUDSPEAKER**

(75) Inventors: **Simon Davies**, Hong Kong (HK);  
**Patrick Ho**, Hong Kong (HK); **Yang Jack Chang**, New Territories (HK);  
**Graham Allen**, Kent (GB)

(73) Assignee: **GP Acoustics International Limited**,  
New Territories (HK)

(\*\*) Term: **14 Years**

(21) Appl. No.: **29/400,323**

(22) Filed: **Aug. 26, 2011**

(30) **Foreign Application Priority Data**

Aug. 12, 2011 (HK) ..... 1101376.0M001

(51) **LOC (9) Cl.** ..... **14-01**

(52) **U.S. Cl.** ..... **D14/215**

(58) **Field of Classification Search** ..... D14/204,  
D14/218, 172, 210–216; 181/143, 147, 148,  
181/150, 153, 157, 198, 199, 166, 144;  
381/300–303, 306, 332, 333, 336, 345, 361–364,  
381/370, 386–388

See application file for complete search history.

(56) **References Cited**

**U.S. PATENT DOCUMENTS**

5,067,583 A \* 11/1991 Hathaway ..... 181/151  
5,933,509 A \* 8/1999 Wu ..... 381/345

D437,307 S \* 2/2001 Tejima ..... D14/215  
6,561,311 B2 \* 5/2003 Chuang ..... 181/199  
D486,142 S \* 2/2004 Shin et al. .... D14/215  
6,966,651 B2 \* 11/2005 Johnson ..... 353/15  
D542,777 S \* 5/2007 Sato ..... D14/215  
D578,511 S \* 10/2008 Ang et al. .... D14/215  
D598,897 S \* 8/2009 Arneson et al. .... D14/214  
D628,558 S \* 12/2010 Vercelli et al. .... D14/215  
D643,021 S \* 8/2011 Khoo et al. .... D14/215  
D645,453 S \* 9/2011 Kim et al. .... D14/215  
D657,777 S \* 4/2012 Jursch et al. .... D14/215

\* cited by examiner

*Primary Examiner* — Prabhakar Deshmukh

(74) *Attorney, Agent, or Firm* — Pearne & Gordon LLP

(57) **CLAIM**

The ornamental design for a loudspeaker, as shown and described.

**DESCRIPTION**

FIG. 1 is a front view of a loudspeaker showing our new design;

FIG. 2 is a rear view thereof;

FIG. 3 is a left side view thereof;

FIG. 4 is a right side view thereof;

FIG. 5 is a top plan view thereof;

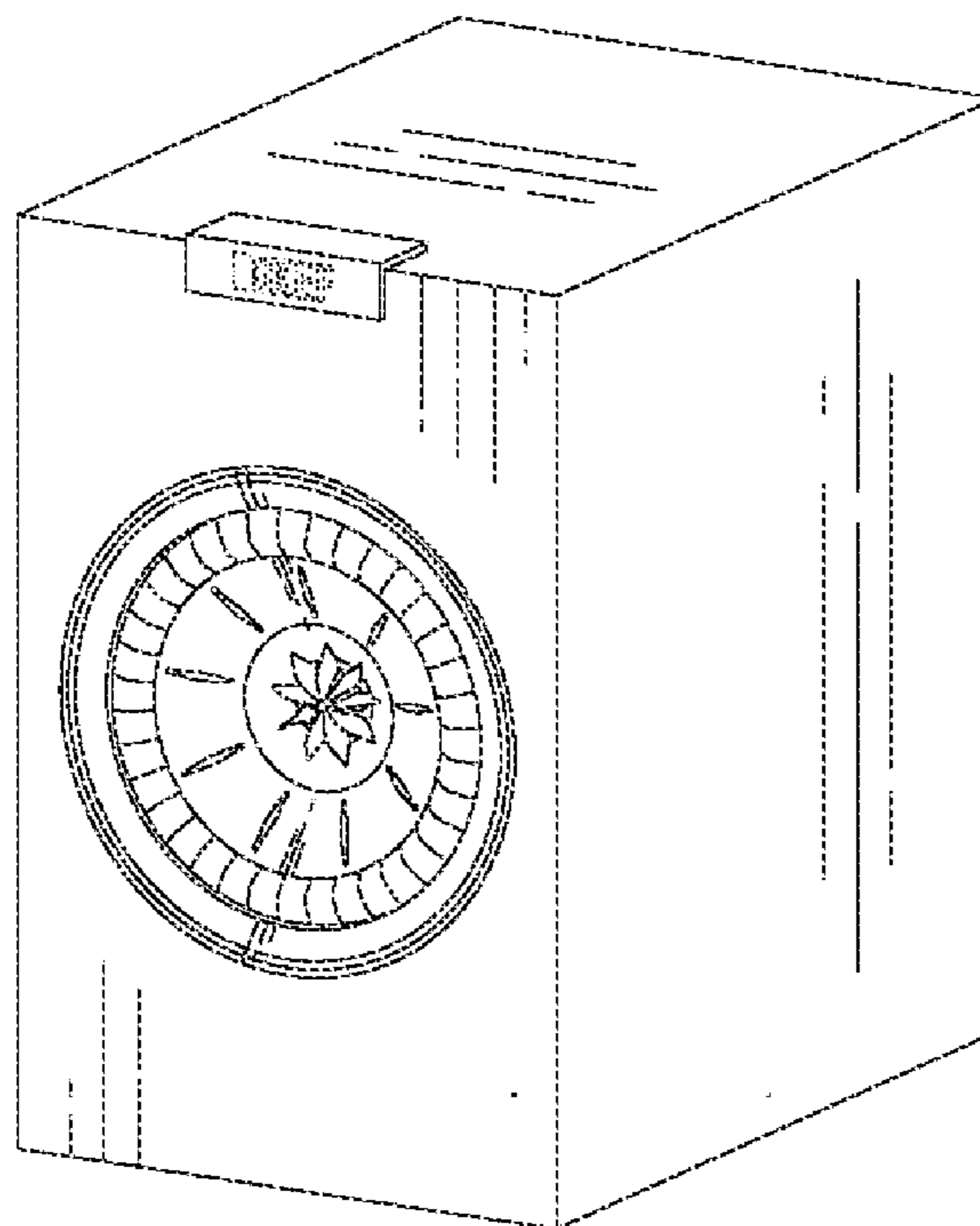
FIG. 6 is a bottom plan view thereof;

FIG. 7 is a front perspective view thereof; and,

FIG. 8 is a rear perspective view thereof.

The broken line showing on the drawing disclosure is for illustrative purposes only and forms no part of the claimed design.

**1 Claim, 8 Drawing Sheets**



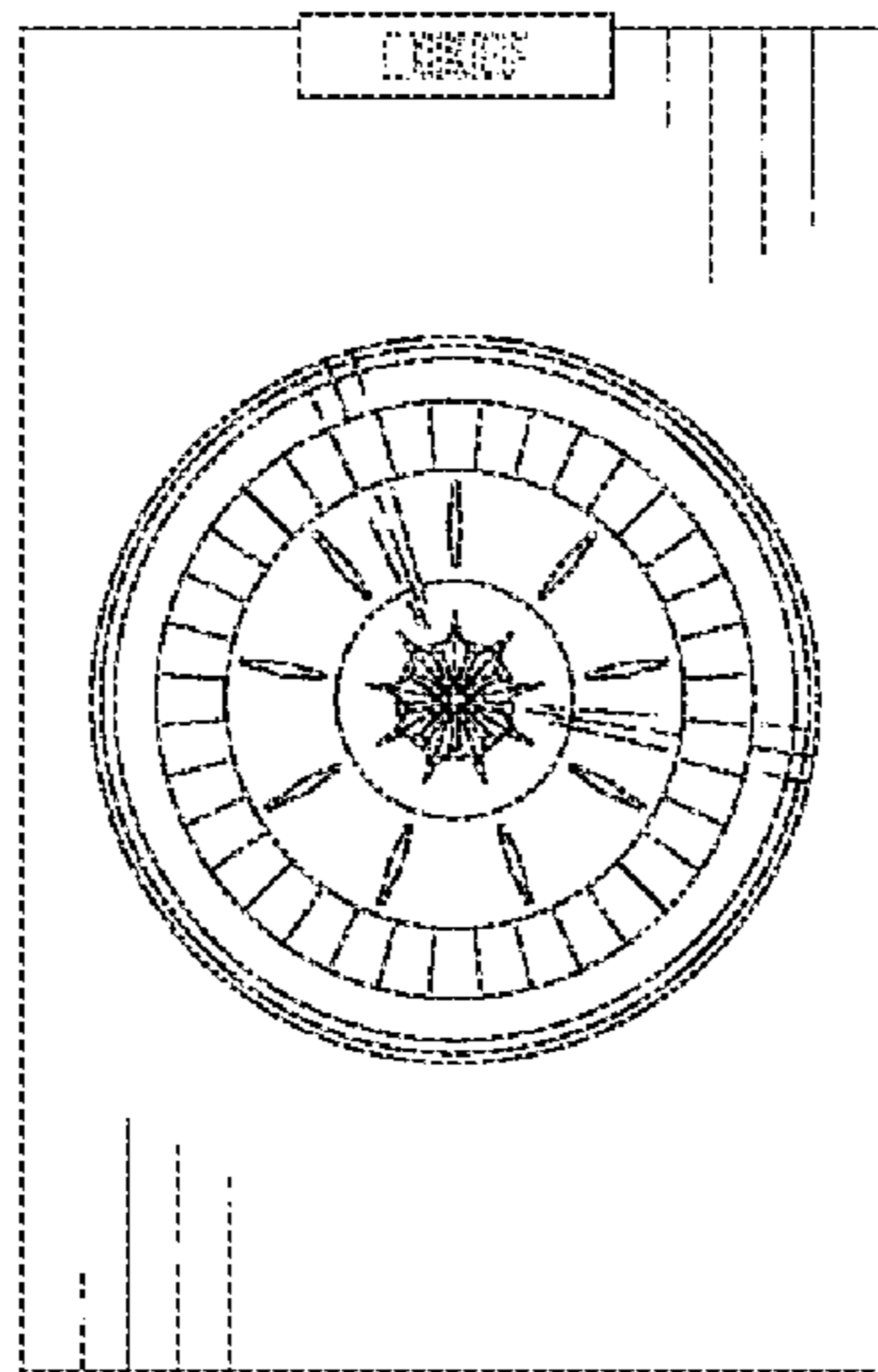


FIG. 1

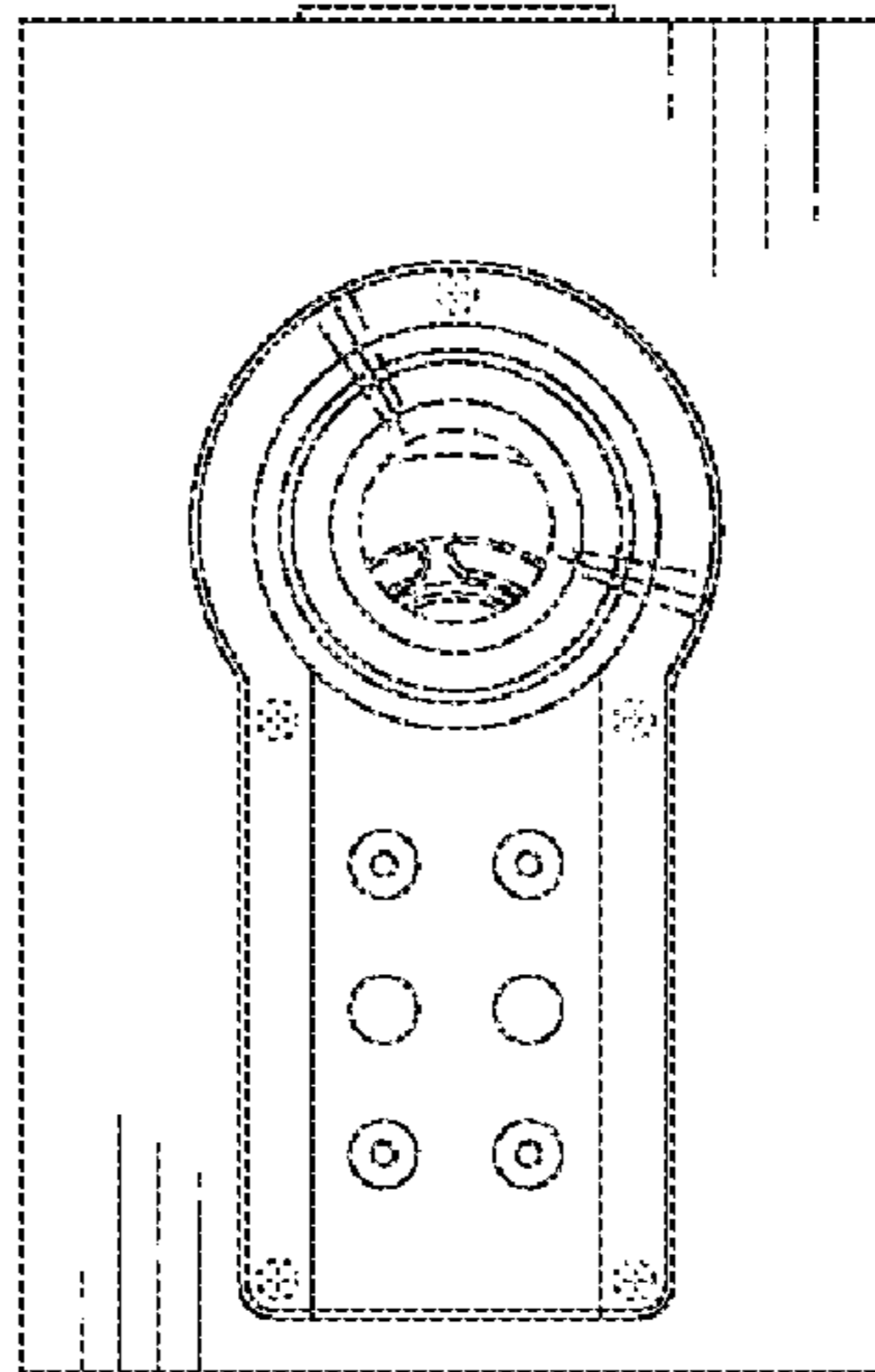


FIG. 2

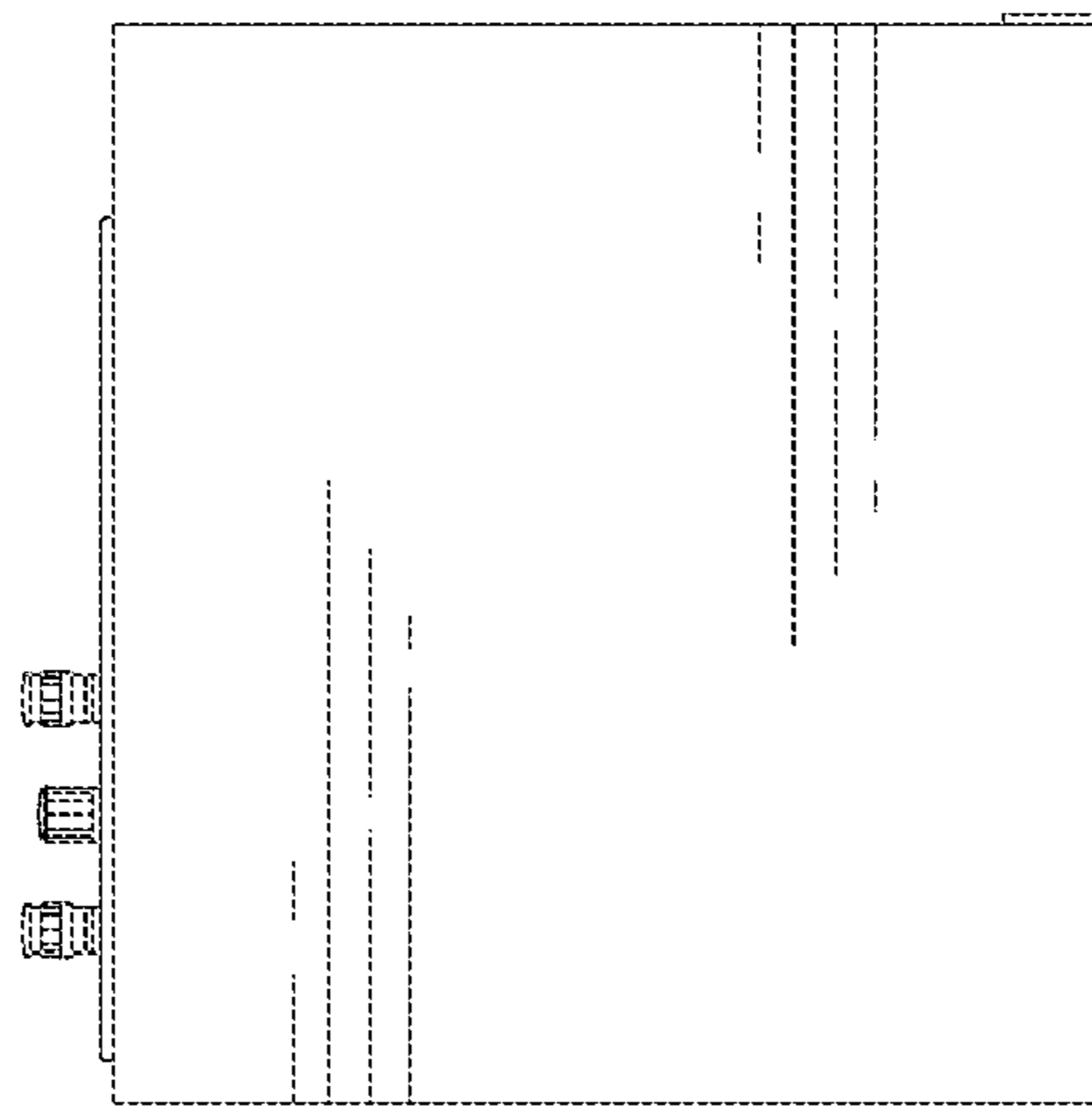


FIG. 3

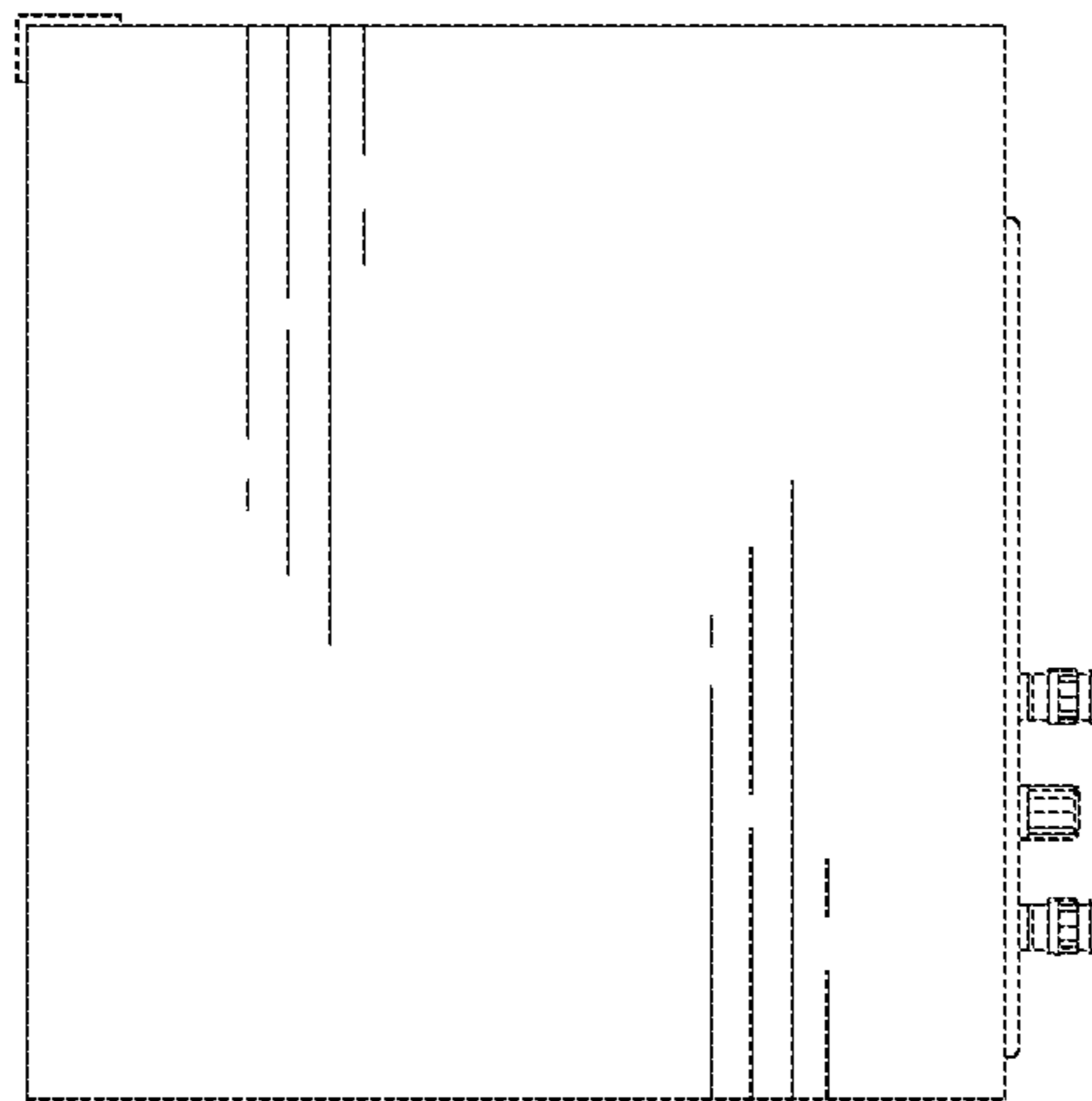


FIG. 4

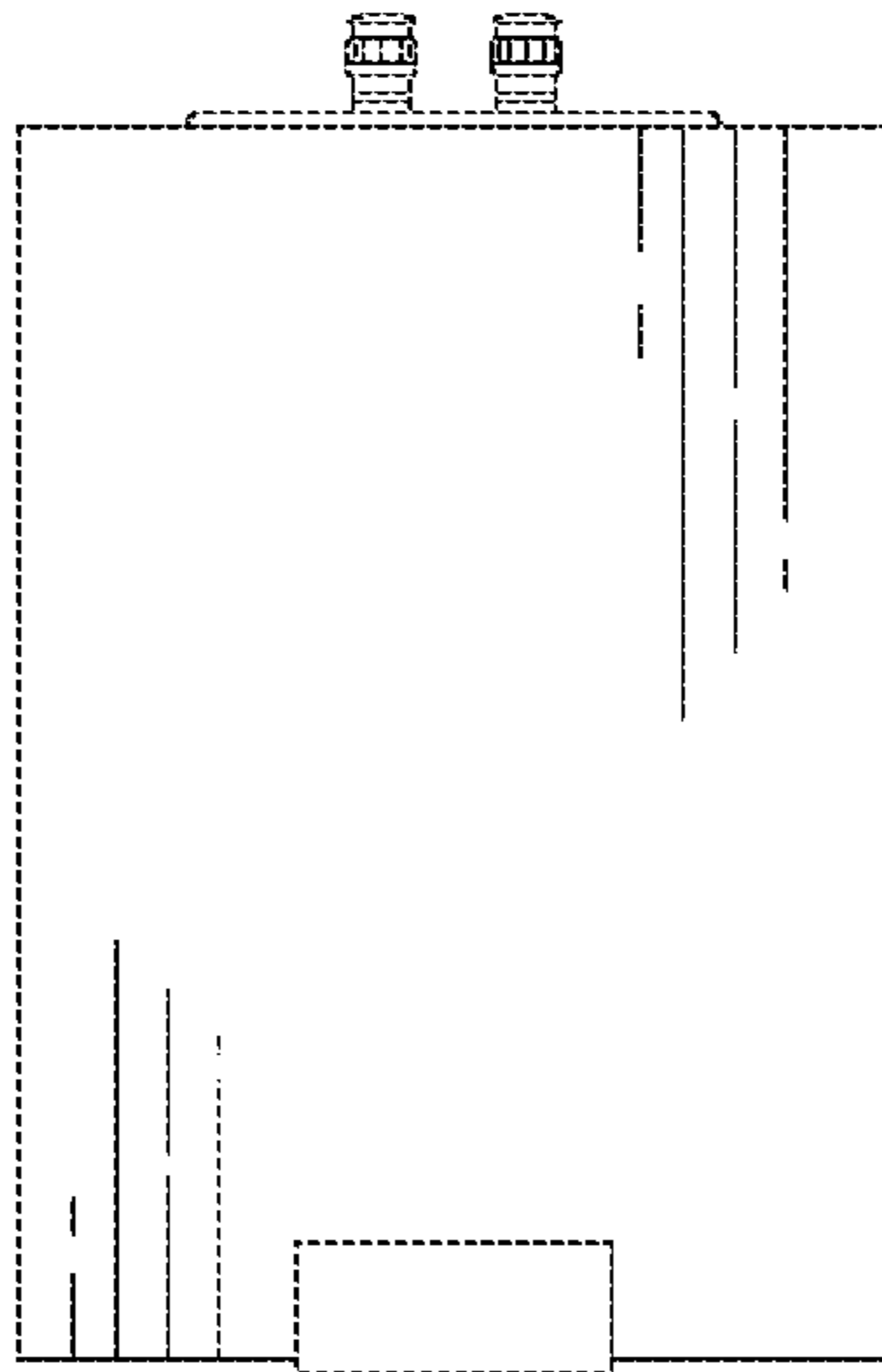


FIG. 5

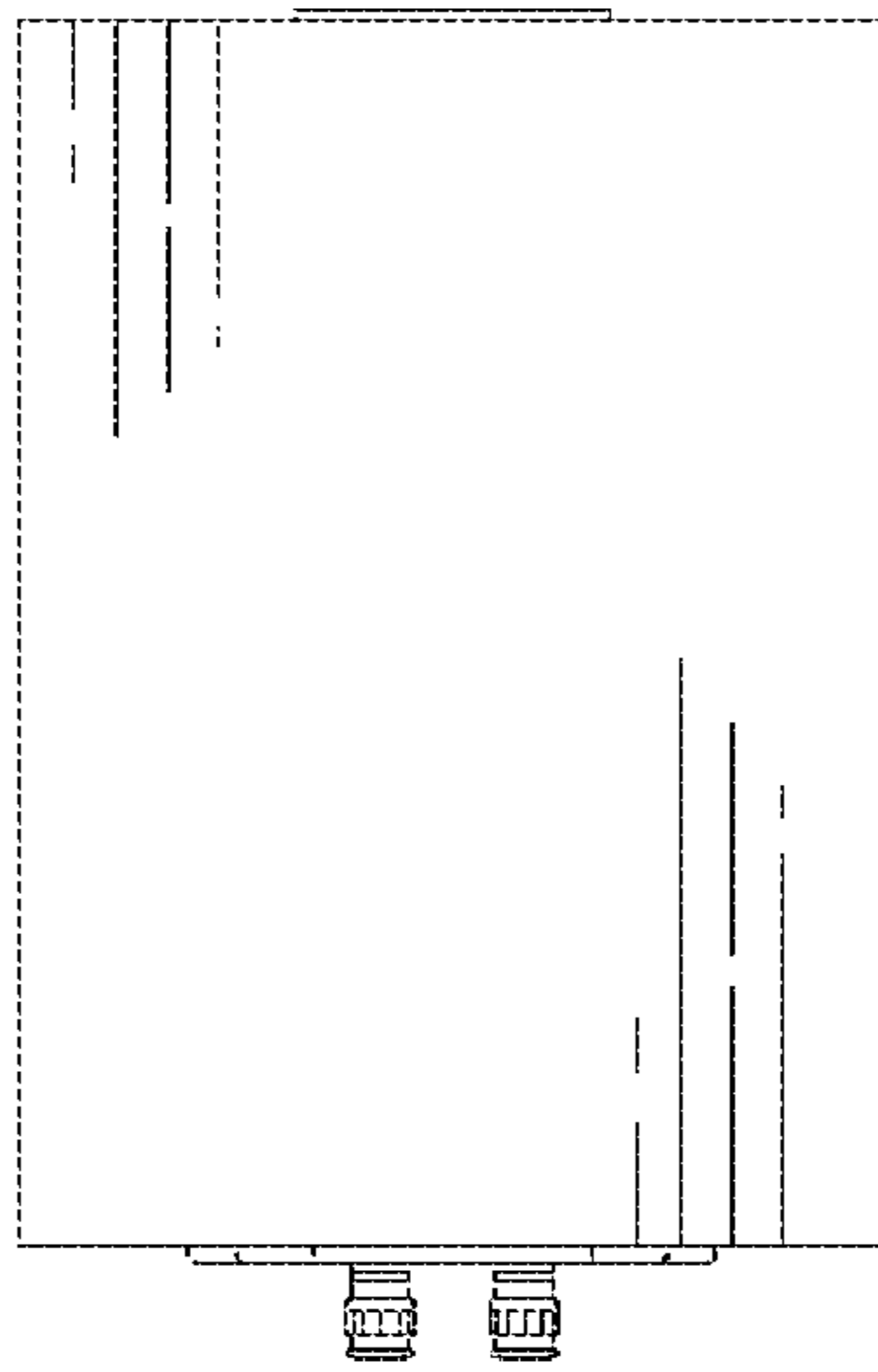


FIG. 6

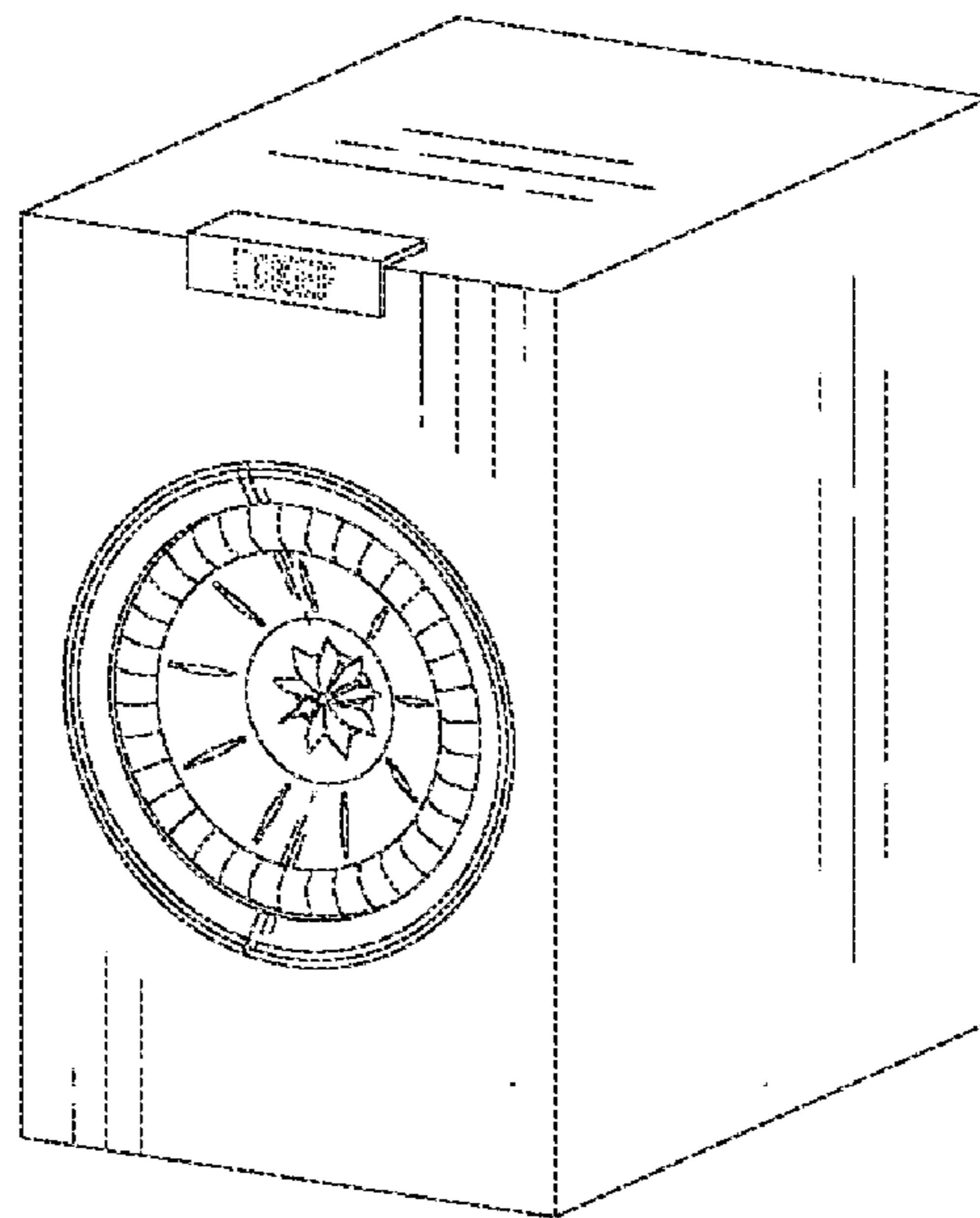


FIG. 7



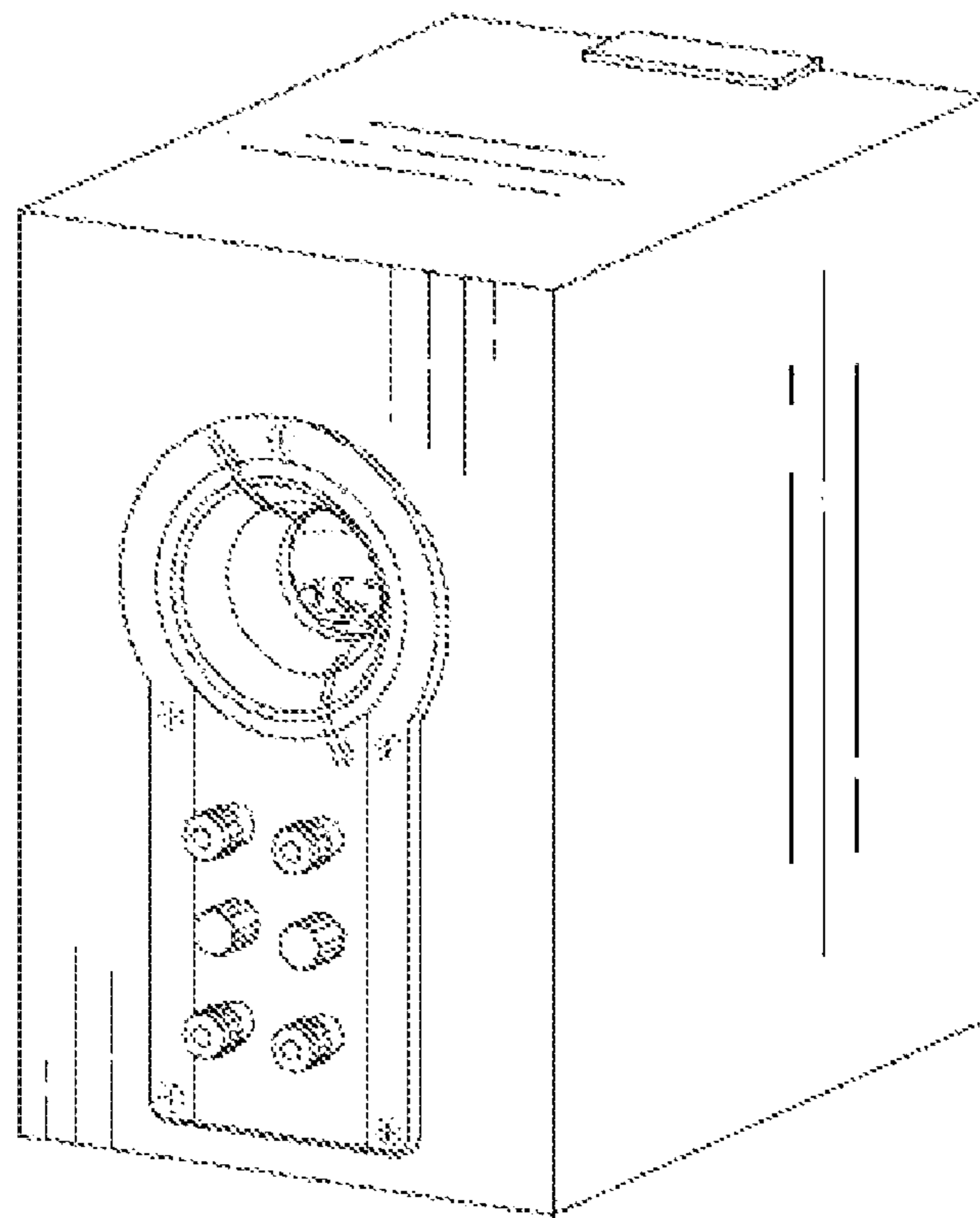


FIG. 8