



US00D678862S

(12) **United States Design Patent**  
**Bolton**

(10) **Patent No.:** **US D678,862 S**  
(45) **Date of Patent:** **\*\* Mar. 26, 2013**

(54) **SPEAKER**

(56) **References Cited**

(75) Inventor: **Charlie Bolton**, Hong Kong (HK)

U.S. PATENT DOCUMENTS

(73) Assignee: **Koninklijke Philips Electronics N.V.**,  
Eindhoven (NL)

D556,188	S	*	11/2007	Ang et al.	.....	D14/214
7,689,197	B2	*	3/2010	Laude et al.	.....	455/344
D644,200	S	*	8/2011	Bolton	.....	D14/209.1
D644,626	S	*	9/2011	Bolton	.....	D14/209.1
D645,842	S	*	9/2011	Bolton	.....	D14/209.1
8,063,292	B2	*	11/2011	Lin	.....	84/386
D661,686	S	*	6/2012	Bolton	.....	D14/209.1

(\*\*) Term: **14 Years**

\* cited by examiner

(21) Appl. No.: **29/396,556**

*Primary Examiner* — Prabhakar Deshmukh

(22) Filed: **Jul. 1, 2011**

(57) **CLAIM**

(30) **Foreign Application Priority Data**

The ornamental design for a speaker, as shown.

Jan. 4, 2011 (EM) ..... 001801101-0004

**DESCRIPTION**

(51) **LOC (9) Cl.** ..... **14-01**

FIG. 1 is a perspective view of a speaker showing my new design;

(52) **U.S. Cl.** ..... **D14/209.1**

FIG. 2 is a front elevational view thereof;

(58) **Field of Classification Search** ..... D14/204,

FIG. 3 is a rear elevational view thereof;

D14/207, 210–216, 172, 209.1; 181/143–144,

FIG. 4 is a right side elevational view thereof;

181/147–148, 150–153, 157, 198–199;

FIG. 5 is a left side elevational view thereof;

381/300–303, 306, 332–333, 336, 345, 361–364,

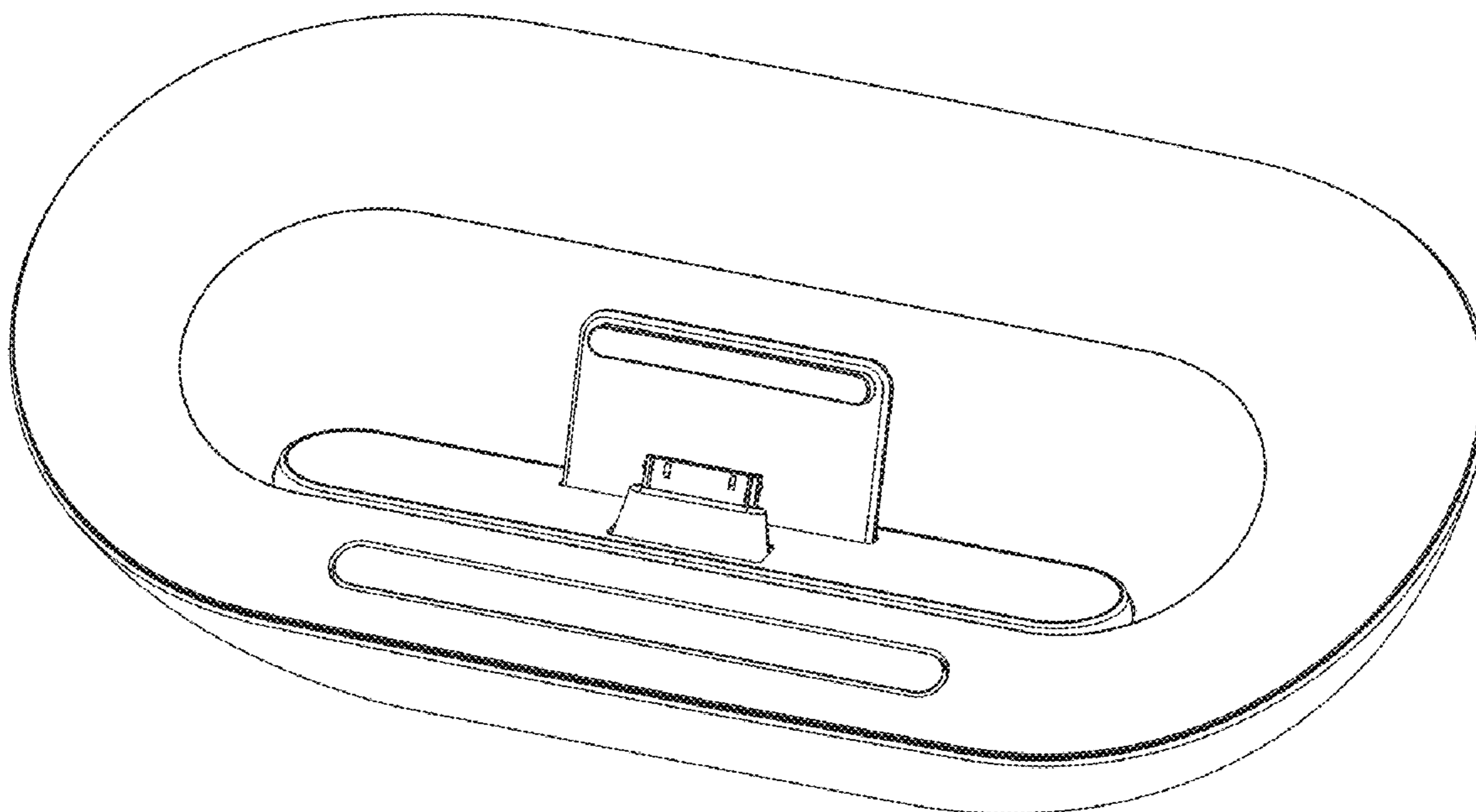
FIG. 6 is a top plan view thereof; and,

381/386–388

FIG. 7 is a bottom plan view thereof.

See application file for complete search history.

**1 Claim, 4 Drawing Sheets**



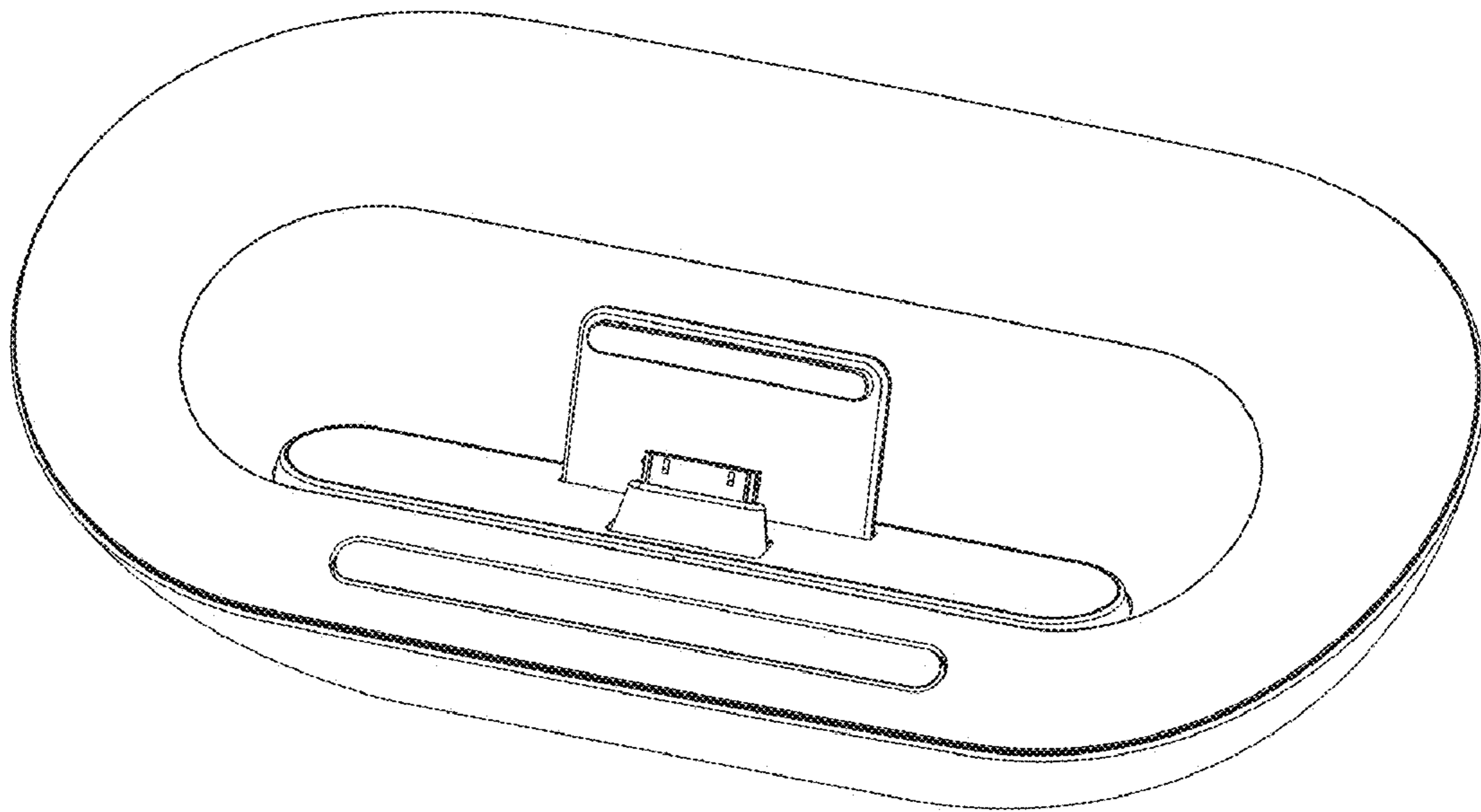


FIG. 1

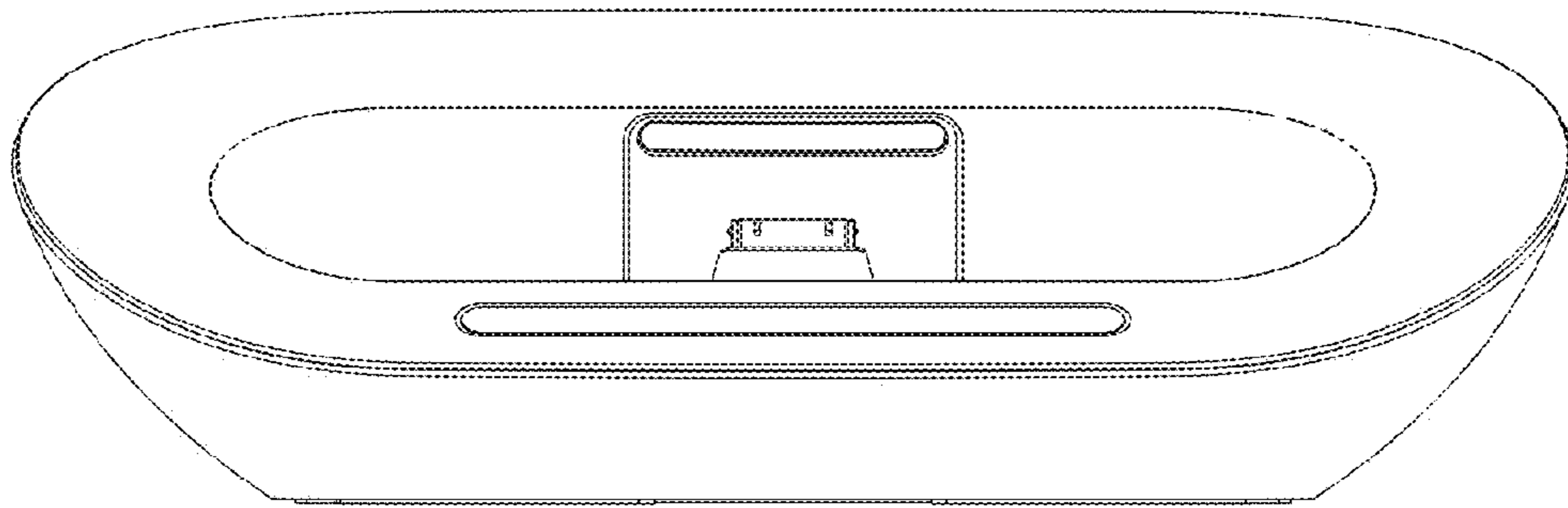


FIG. 2

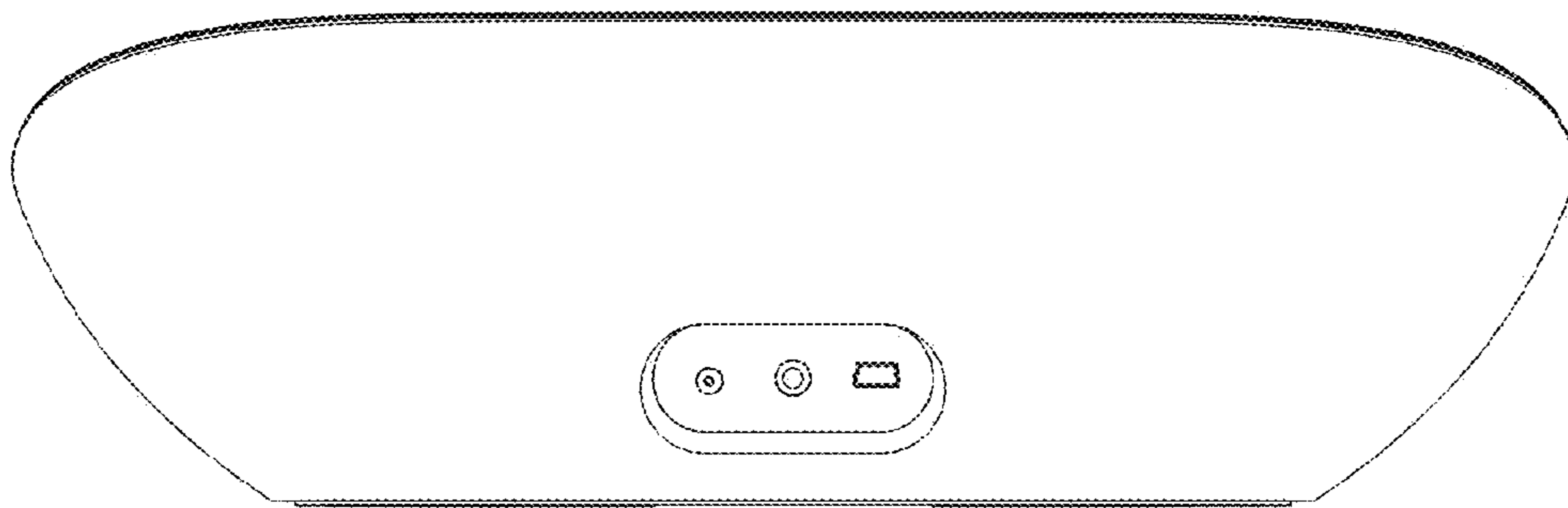


FIG. 3

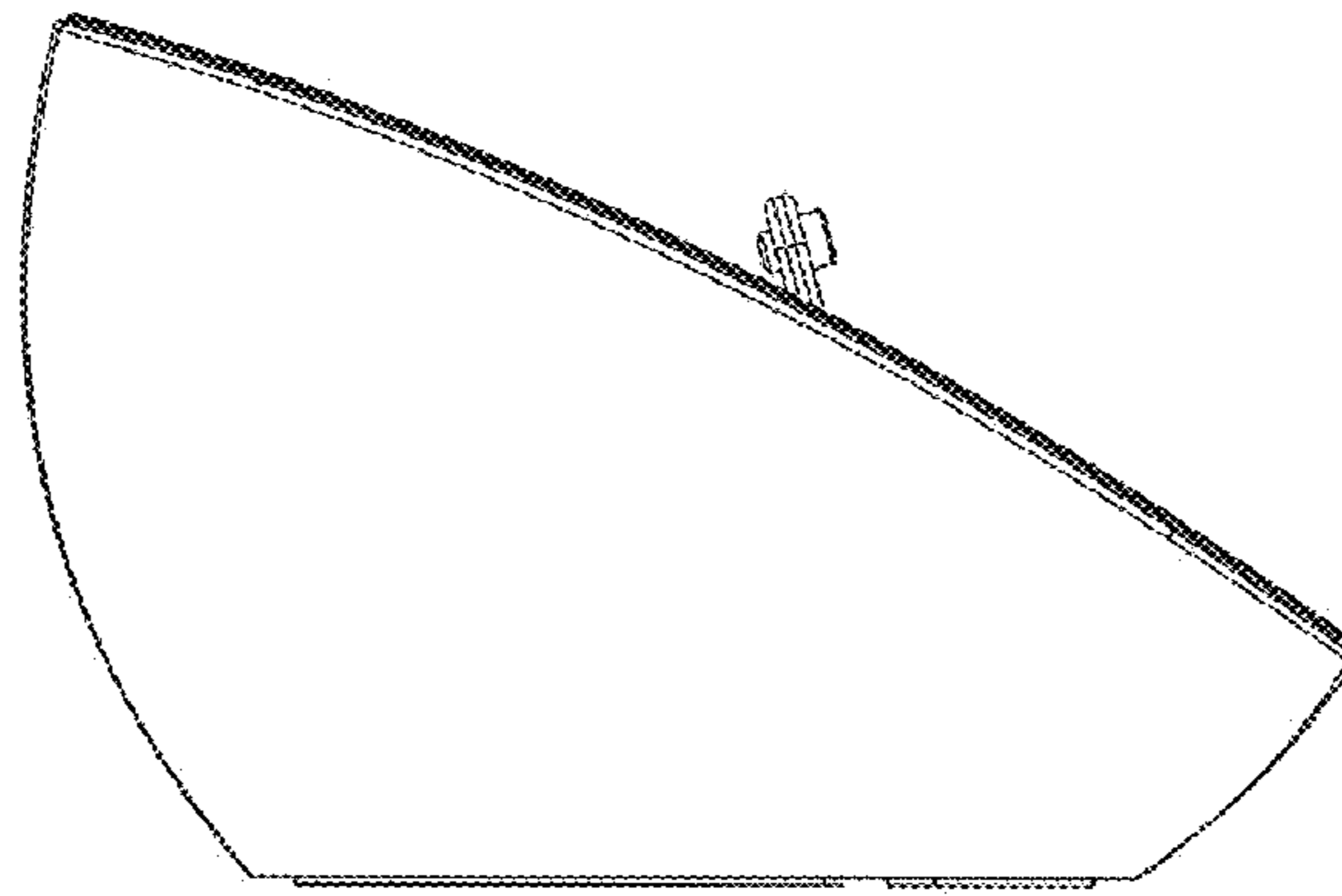


FIG. 4

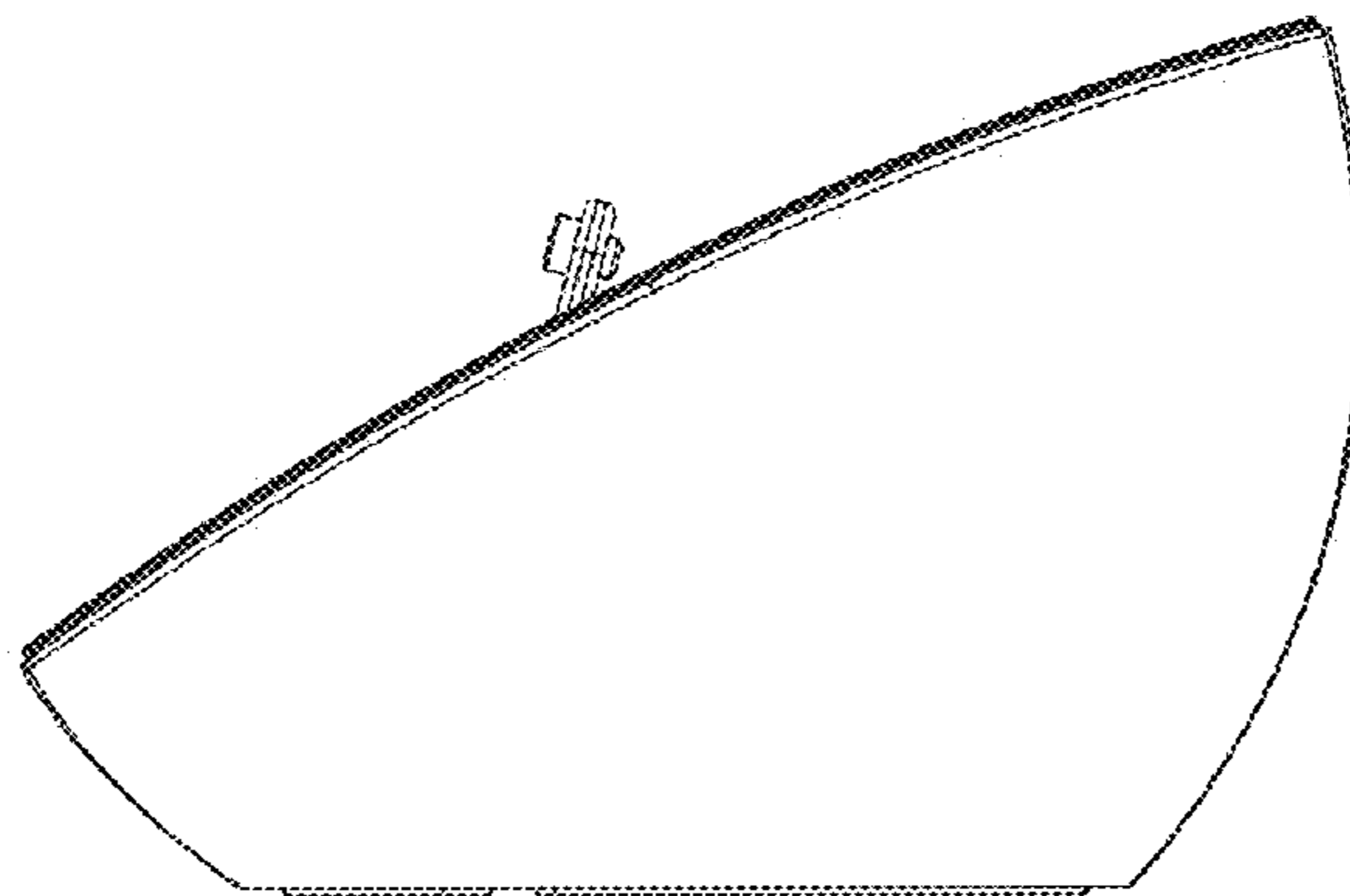


FIG. 5

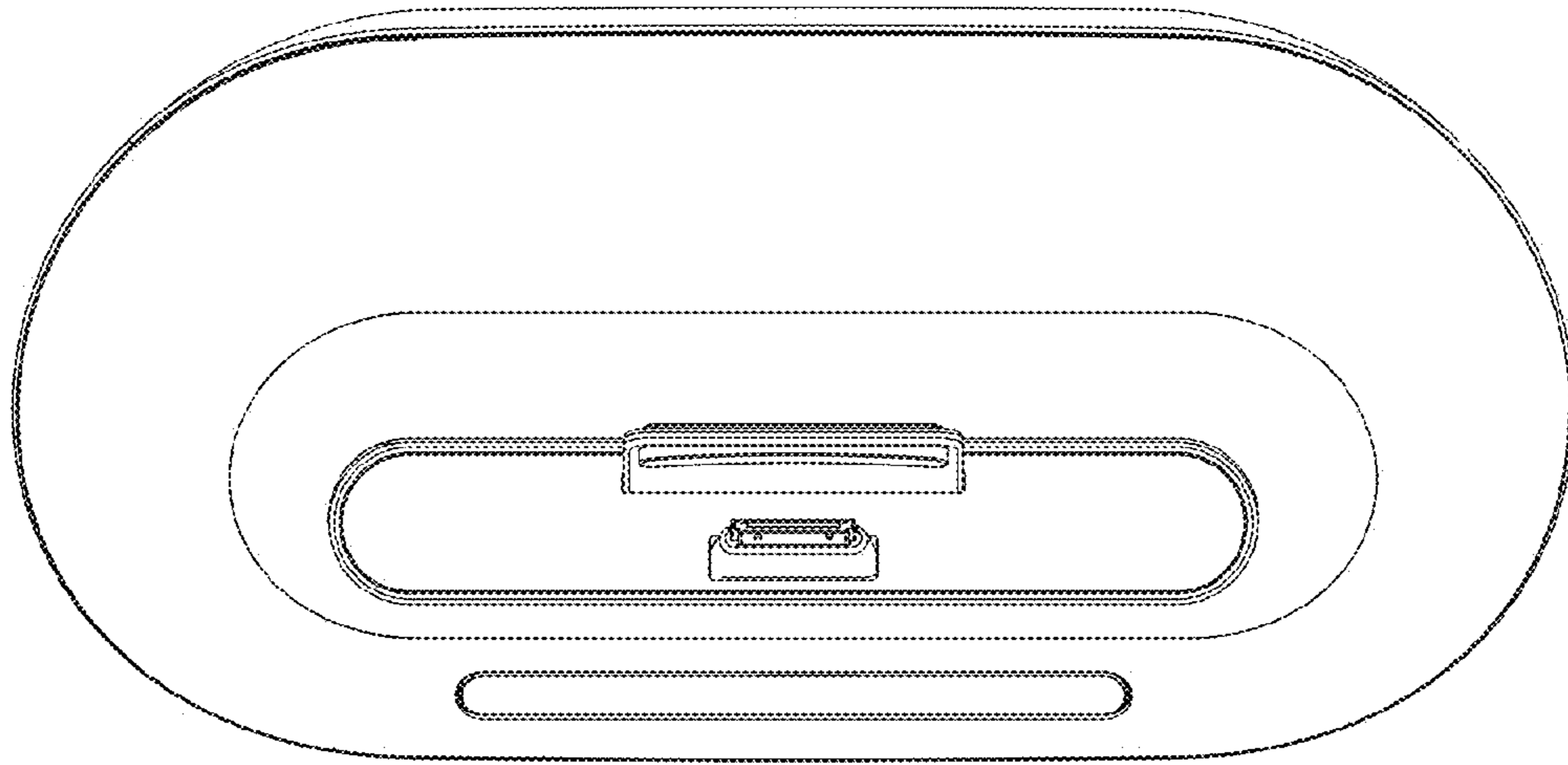


FIG. 6

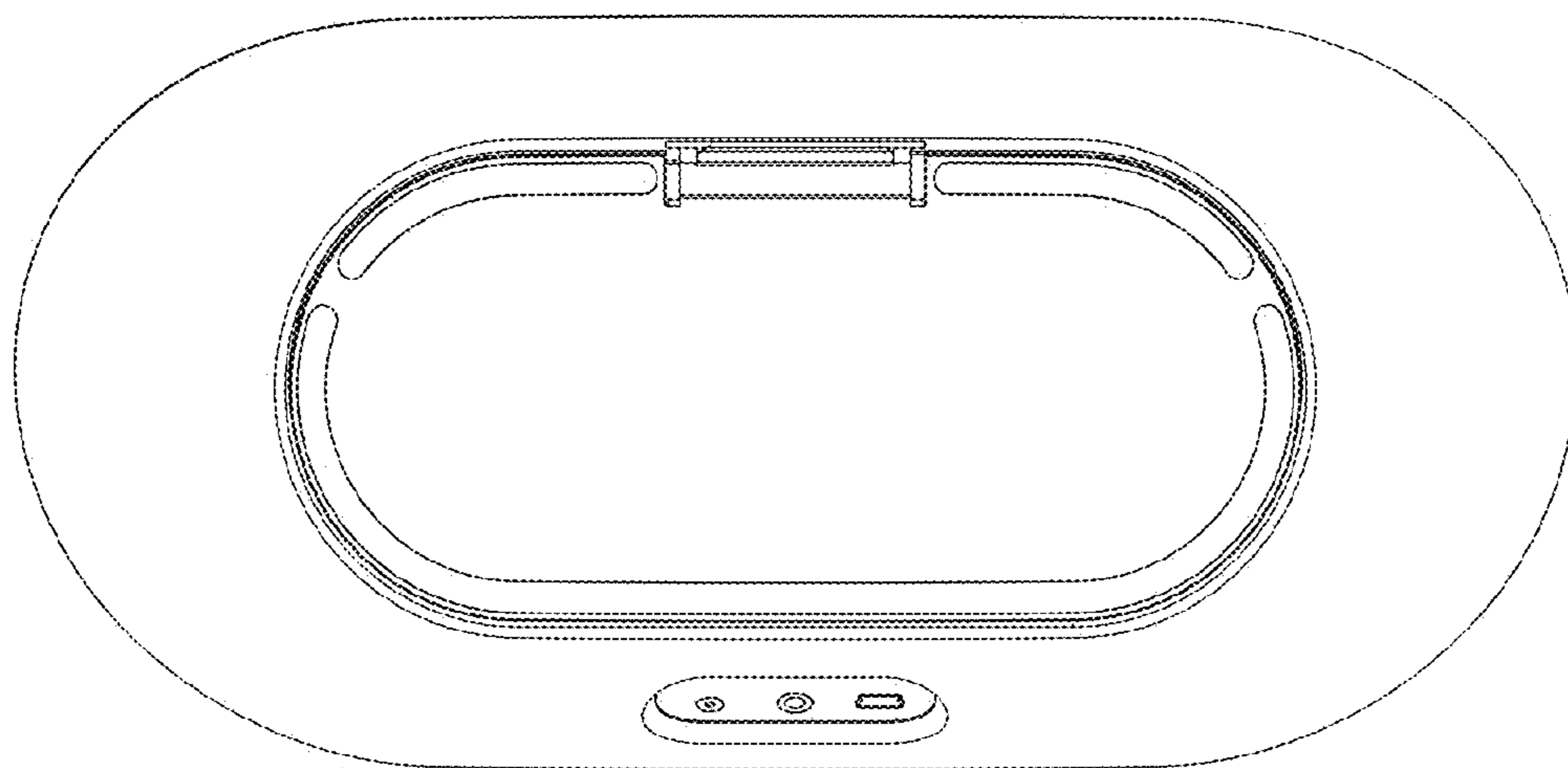


FIG. 7