



US00D678860S

(12) **United States Design Patent**
Hagelin

(10) **Patent No.:** **US D678,860 S**
(45) **Date of Patent:** **** Mar. 26, 2013**

(54) **HEADPHONES**

(75) Inventor: **Greger Hagelin**, Stockholm (SE)

(73) Assignee: **WeSC AB (publ)**, Stockholm (SE)

(**) Term: **14 Years**

(21) Appl. No.: **29/410,094**

(22) Filed: **Jan. 4, 2012**

(30) **Foreign Application Priority Data**

Oct. 7, 2011 (EM) 1929076

(51) **LOC (9) Cl.** **14-01**

(52) **U.S. Cl.** **D14/205**

(58) **Field of Classification Search** D14/205,
D14/206, 223; D29/112; 2/209; 181/129,
181/130, 135; 379/430, 431; 381/380, 381;
455/90.3, 575.2

See application file for complete search history.

(56) **References Cited**

U.S. PATENT DOCUMENTS

D270,634 S *	9/1983	Ungar	D14/205
4,689,822 A *	8/1987	Houng	381/379
D338,010 S *	8/1993	Yamatogi	D14/205
D405,449 S *	2/1999	Nakamura et al.	D14/205
D534,155 S *	12/2006	Obata	D14/205
D535,285 S *	1/2007	Skulley	D14/205
D540,301 S *	4/2007	Obata	D14/205
D573,581 S *	7/2008	Gondo et al.	D14/205
D588,100 S *	3/2009	Densho et al.	D14/205
D593,995 S *	6/2009	Shimizu	D14/205

D606,969 S *	12/2009	Semcken	D14/205
D632,668 S *	2/2011	Brunner et al.	D14/205
D639,776 S *	6/2011	Arimoto	D14/205
D654,472 S *	2/2012	Fischer	D14/206
D657,344 S *	4/2012	Brunner et al.	D14/205
D657,776 S *	4/2012	Lee et al.	D14/205
D659,116 S *	5/2012	Iseki	D14/205
D662,080 S *	6/2012	Carr et al.	D14/205
D663,717 S *	7/2012	Hutchieson	D14/206
D664,114 S *	7/2012	Tsuchiya	D14/205
D666,168 S *	8/2012	Rath	D14/206

* cited by examiner

Primary Examiner — Paula Greene

(74) *Attorney, Agent, or Firm* — Kenyon & Kenyon LLP

(57) **CLAIM**

The ornamental design for headphones, as shown and described.

DESCRIPTION

FIG. 1 is a front perspective view of an ornamental design for headphones showing my new design, the opposite perspective view being a mirror image;

FIG. 2 is a front view thereof, the rear view being identical to the front view;

FIG. 3 is a right side view thereof, the left side view being identical to the right side view;

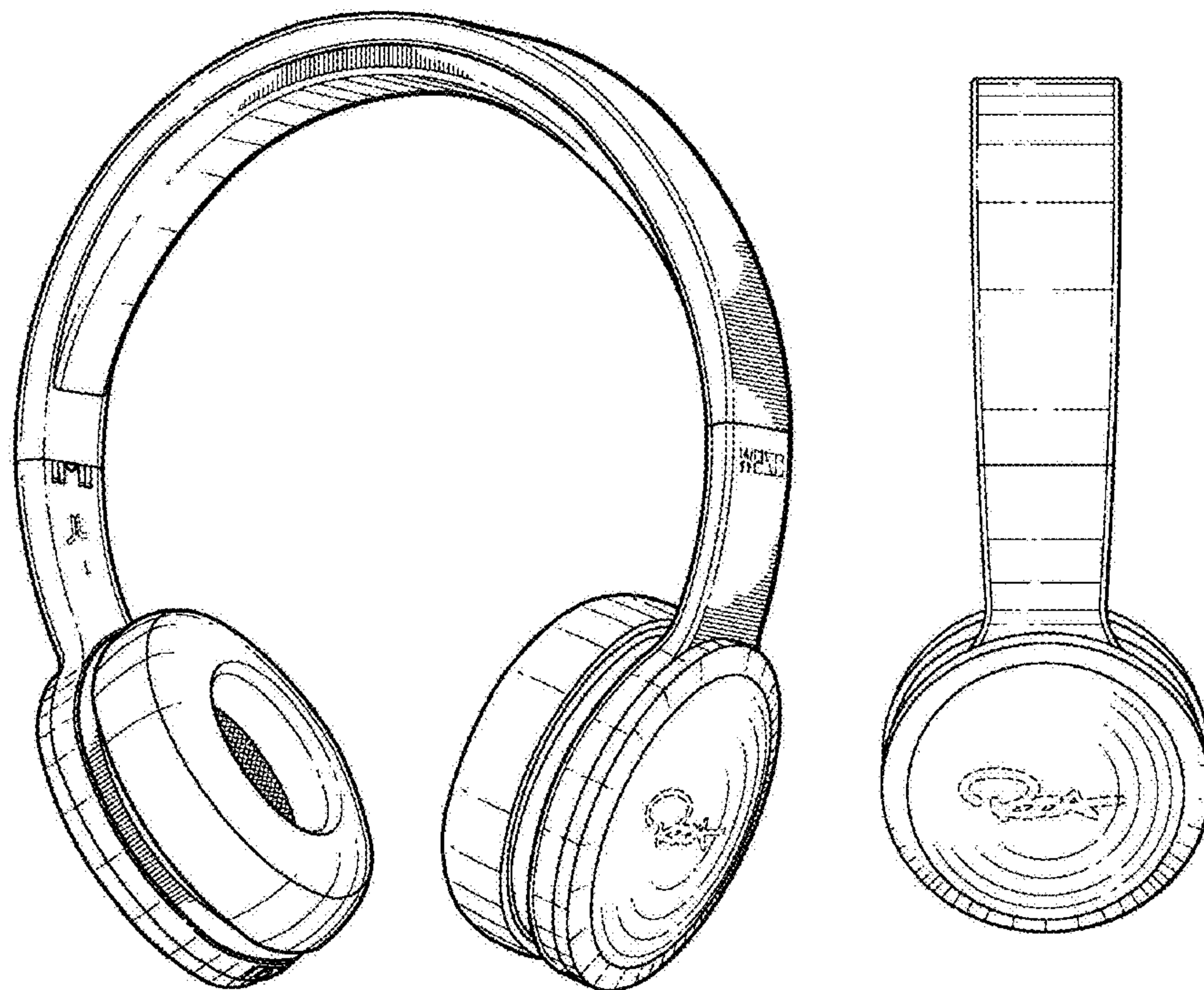
FIG. 4 is a top view thereof;

FIG. 5 is a bottom view thereof; and,

FIG. 6 is an exploded front perspective view thereof with the headband of the headphones shown in an alternate position.

The broken line showing of the Figures is for purposes of illustration and forms no part of the claimed design.

1 Claim, 6 Drawing Sheets



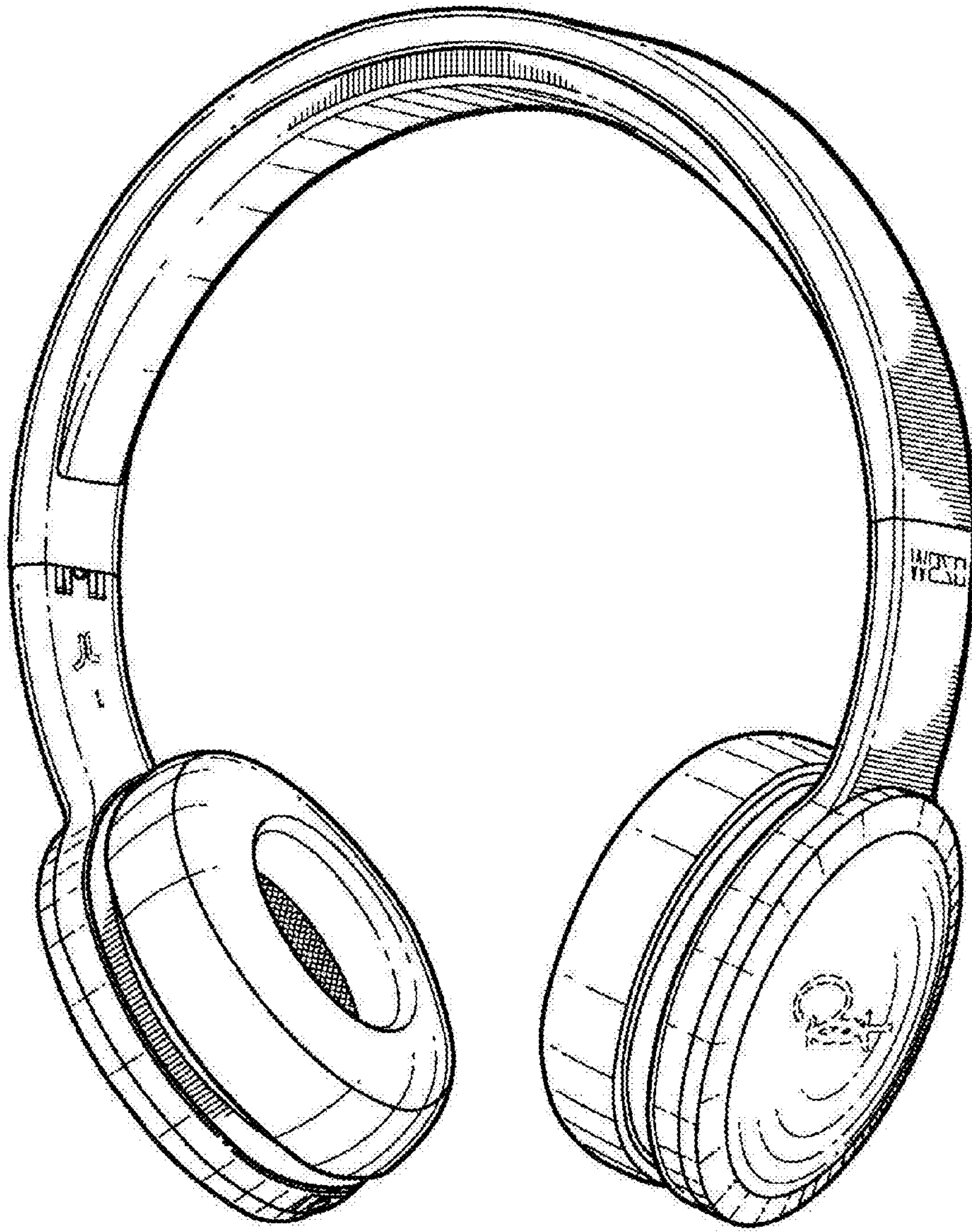


FIG. 1

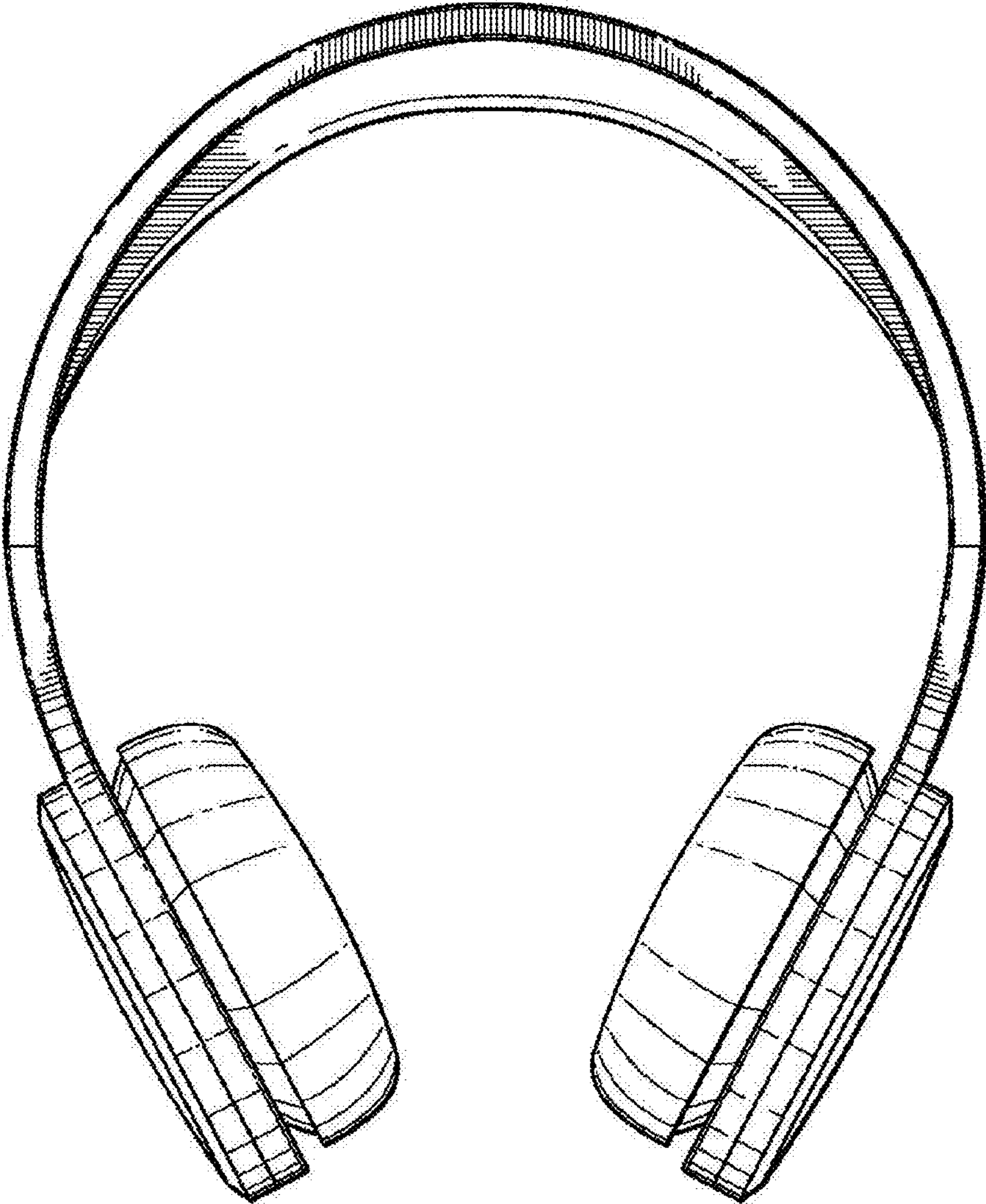


FIG. 2

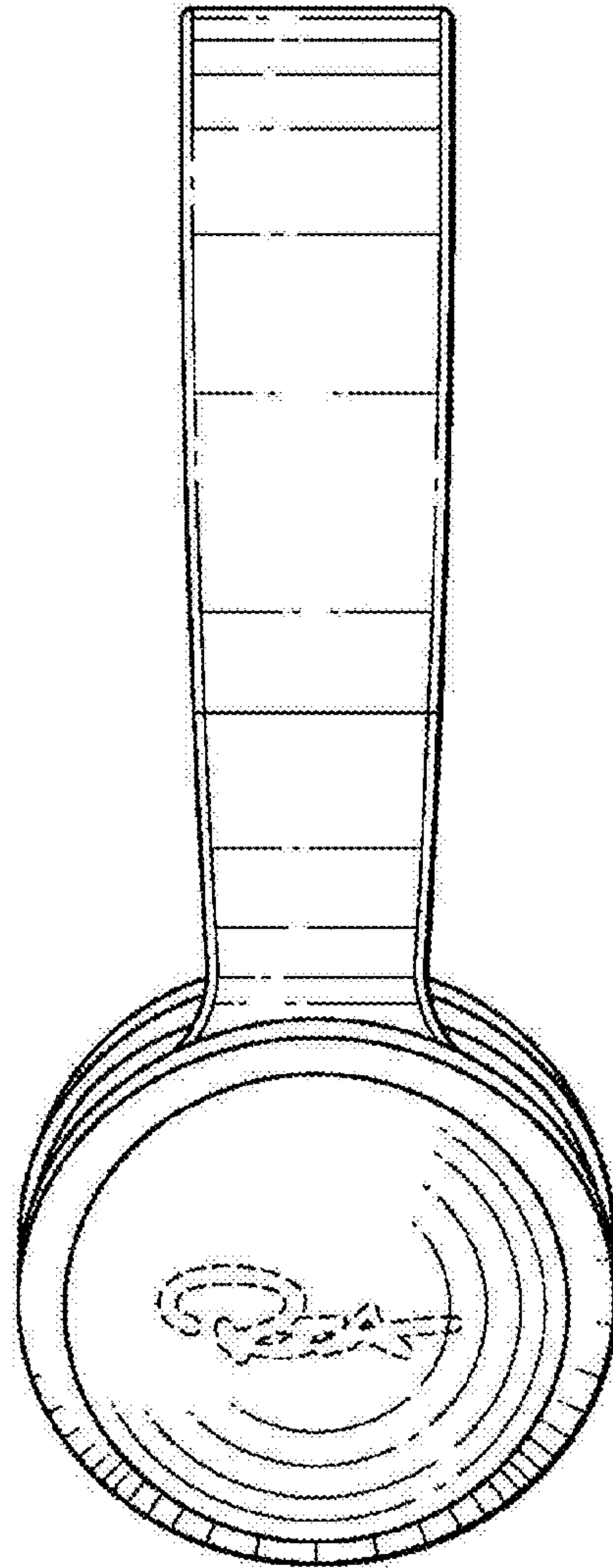


FIG. 3

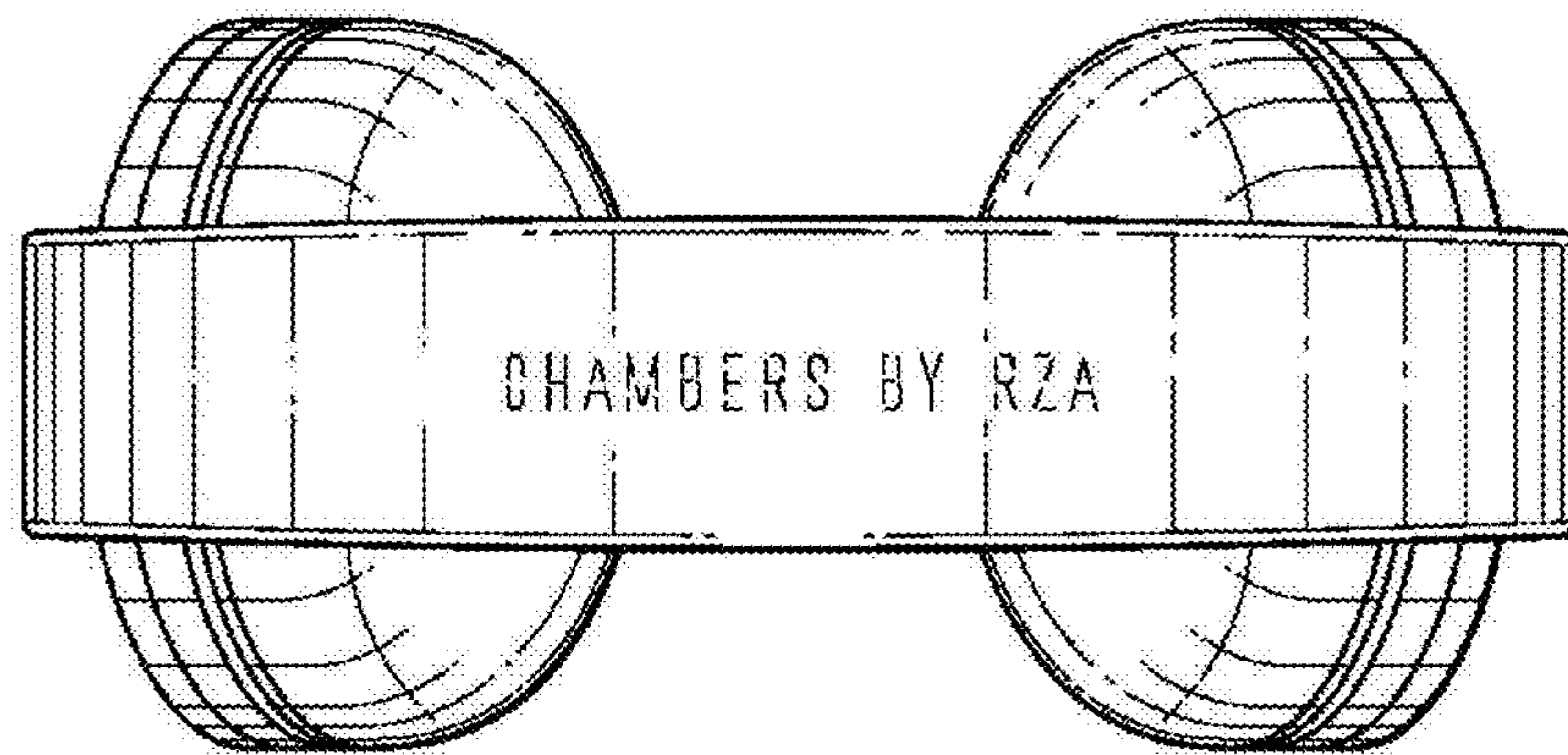


FIG. 4

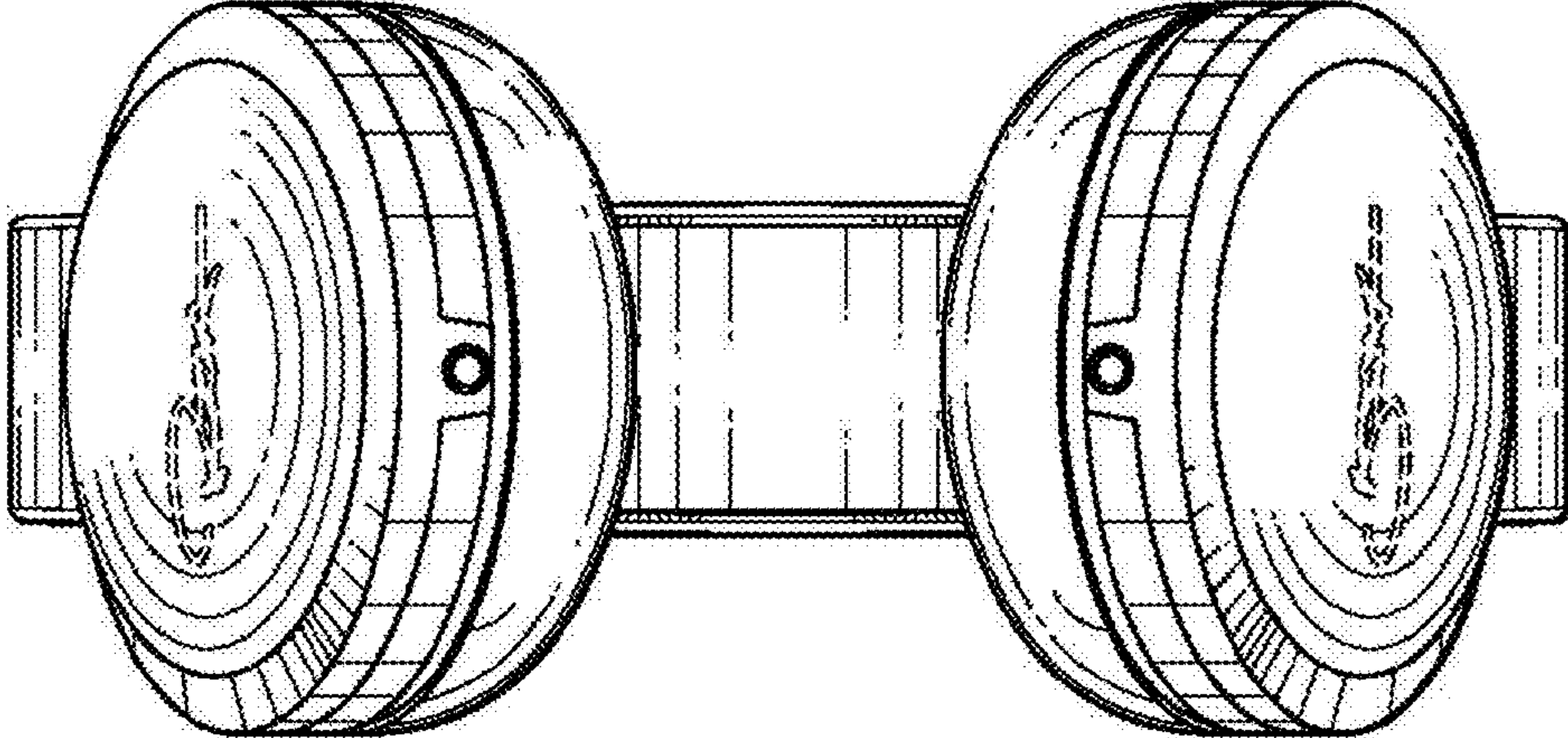


FIG. 5

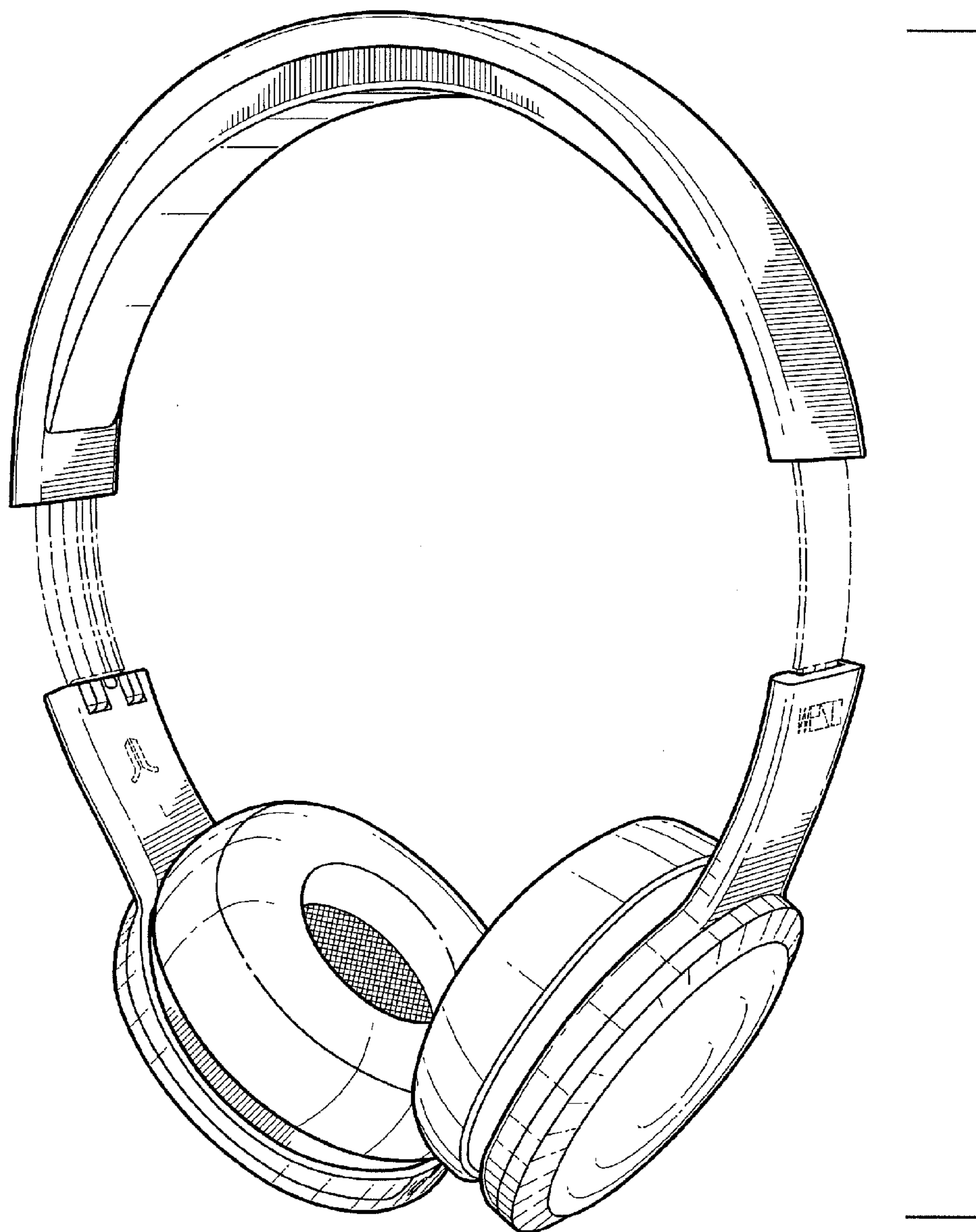


FIG. 6

UNITED STATES PATENT AND TRADEMARK OFFICE
CERTIFICATE OF CORRECTION

PATENT NO. : D678,860 S
APPLICATION NO. : 29/410094
DATED : March 26, 2013
INVENTOR(S) : Hagelin

Page 1 of 8

It is certified that error appears in the above-identified patent and that said Letters Patent is hereby corrected as shown below:

Please delete in its entirety Patent No. D678,860 S and insert in its entirety Patent No. D678,860 S as shown on the attached pages.

Signed and Sealed this
Thirty-first Day of October, 2017



Joseph Matal

*Performing the Functions and Duties of the
Under Secretary of Commerce for Intellectual Property and
Director of the United States Patent and Trademark Office*

(12) **United States Design Patent** (10) **Patent No.:** **US D678,860 S**
Hagelin (45) **Date of Patent:** **** Mar. 26, 2013**

(54) **HEADPHONES**

(75) Inventor: **Greger Hagelin, Stockholm (SE)**

(73) Assignee: **WeSC AB (publ), Stockholm (SE)**

(**) Term: **14 Years**

(21) Appl. No.: **29/410,094**

(22) Filed: **Jan. 4, 2012**

(30) **Foreign Application Priority Data**

Oct. 7, 2011 (EM) 1929076

(51) **LOC (9) Cl.** **14-01**

(52) **U.S. Cl.** **D14/205**

(58) **Field of Classification Search** D14/205, 206,
 D14/223; D29/112; 2/209;
 181/129, 130, 135; 379/430, 431;
 381/380, 381; 455/90.3, 575.2

See application file for complete search history.

(56) **References Cited**

U.S. PATENT DOCUMENTS

D270,634 S *	9/1983	Ungar	D14/205
4,689,822 A *	8/1987	Houng	381/379
D338,010 S *	8/1993	Yamatogi	D14/205
D405,449 S *	2/1999	Nakamura et al.	D14/205
D534,155 S *	12/2006	Obata	D14/205
D535,285 S *	1/2007	Skulley	D14/205
D540,301 S *	4/2007	Obata	D14/205
D573,581 S *	7/2008	Gondo et al.	D14/205
D588,100 S *	3/2009	Densho et al.	D14/205
D593,995 S *	6/2009	Shimizu	D14/205

D606,969 S *	12/2009	Semcken	D14/205
D632,668 S *	2/2011	Brunner et al.	D14/205
D639,776 S *	6/2011	Arimoto	D14/205
D654,472 S *	2/2012	Fischer	D14/206
D657,344 S *	4/2012	Brunner et al.	D14/205
D657,776 S *	4/2012	Lee et al.	D14/205
D659,116 S *	5/2012	Iseki	D14/205
D662,080 S *	6/2012	Carr et al.	D14/205
D663,717 S *	7/2012	Hutchieson	D14/206
D664,114 S *	7/2012	Tsuchiya	D14/205
D666,168 S *	8/2012	Rath	D14/206

* cited by examiner

Primary Examiner — Paula Greene

(74) *Attorney, Agent, or Firm* — Kenyon & Kenyon LLP

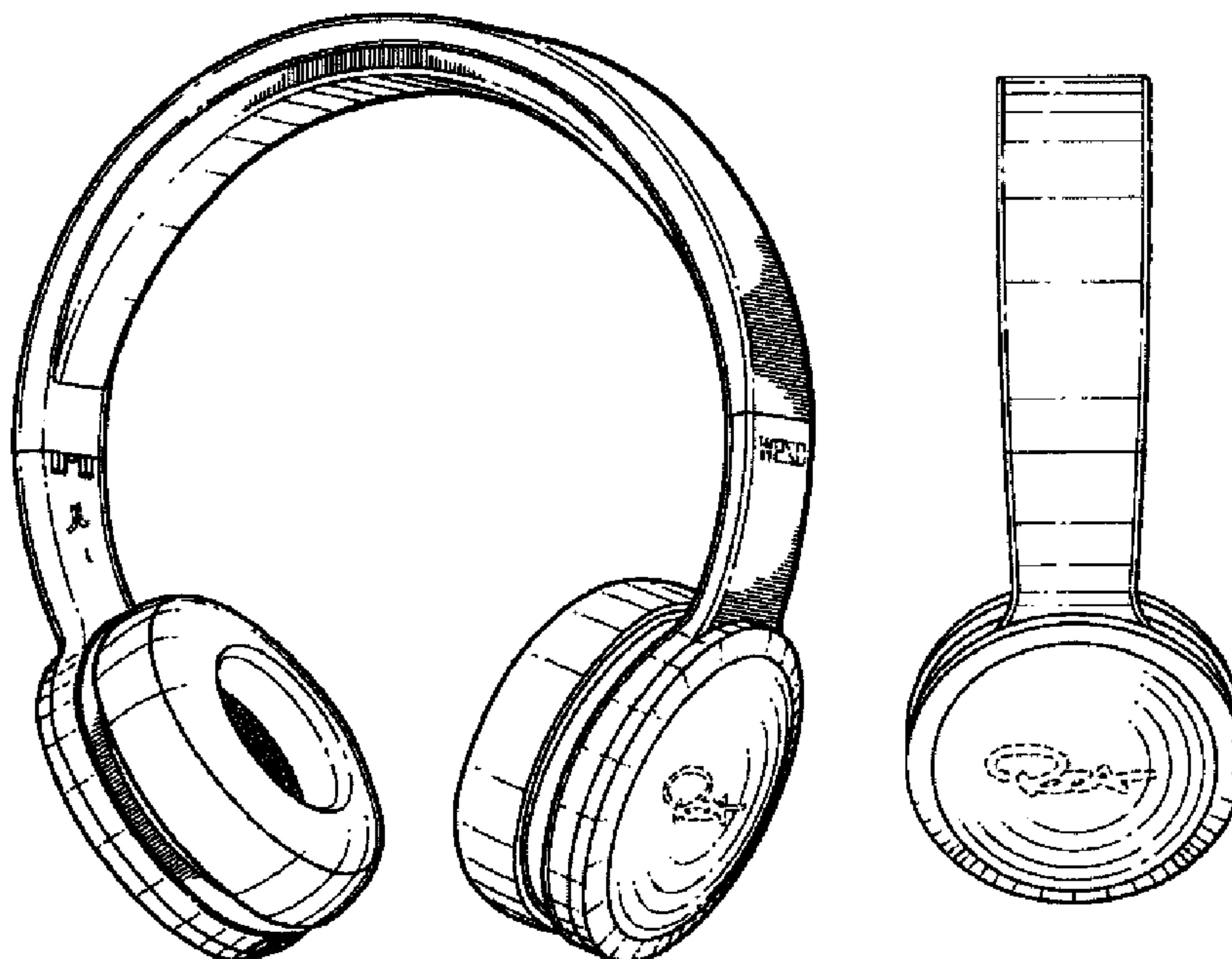
(57) **CLAIM**

The ornamental design for headphones, as shown and described.

DESCRIPTION

FIG. 1 is a front perspective view of an ornamental design for headphones showing my new design, the opposite perspective view being a mirror image;
 FIG. 2 is a front view thereof, the rear view being identical to the front view;
 FIG. 3 is a right side view thereof, the left side view being identical to the right side view;
 FIG. 4 is a top view thereof;
 FIG. 5 is a bottom view thereof; and,
 FIG. 6 is an exploded front perspective view thereof with the headband of the headphones shown in an alternate position. The broken line showing of the Figures is for purposes of illustration and forms no part of the claimed design.

1 Claim, 6 Drawing Sheets



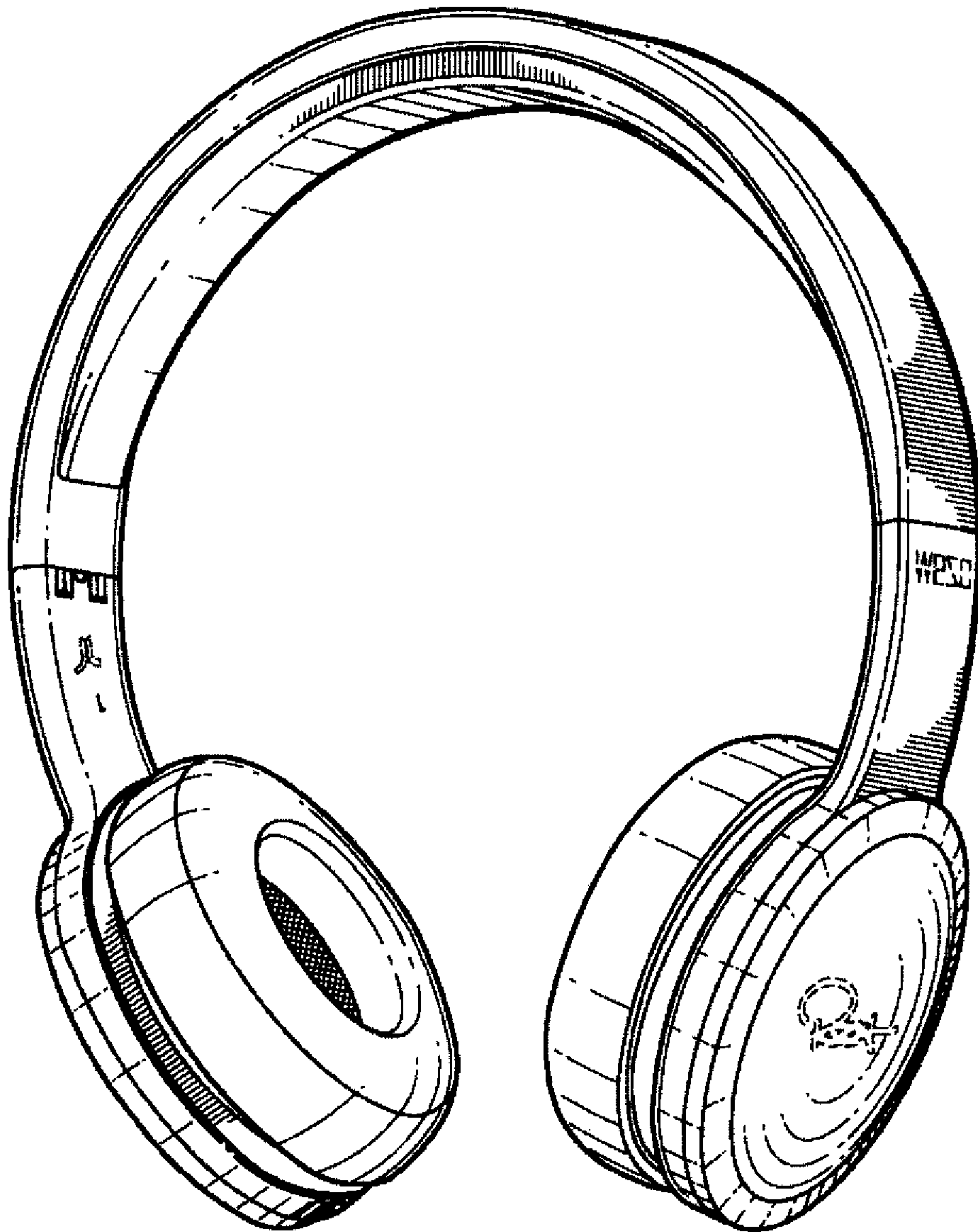


FIG. 1

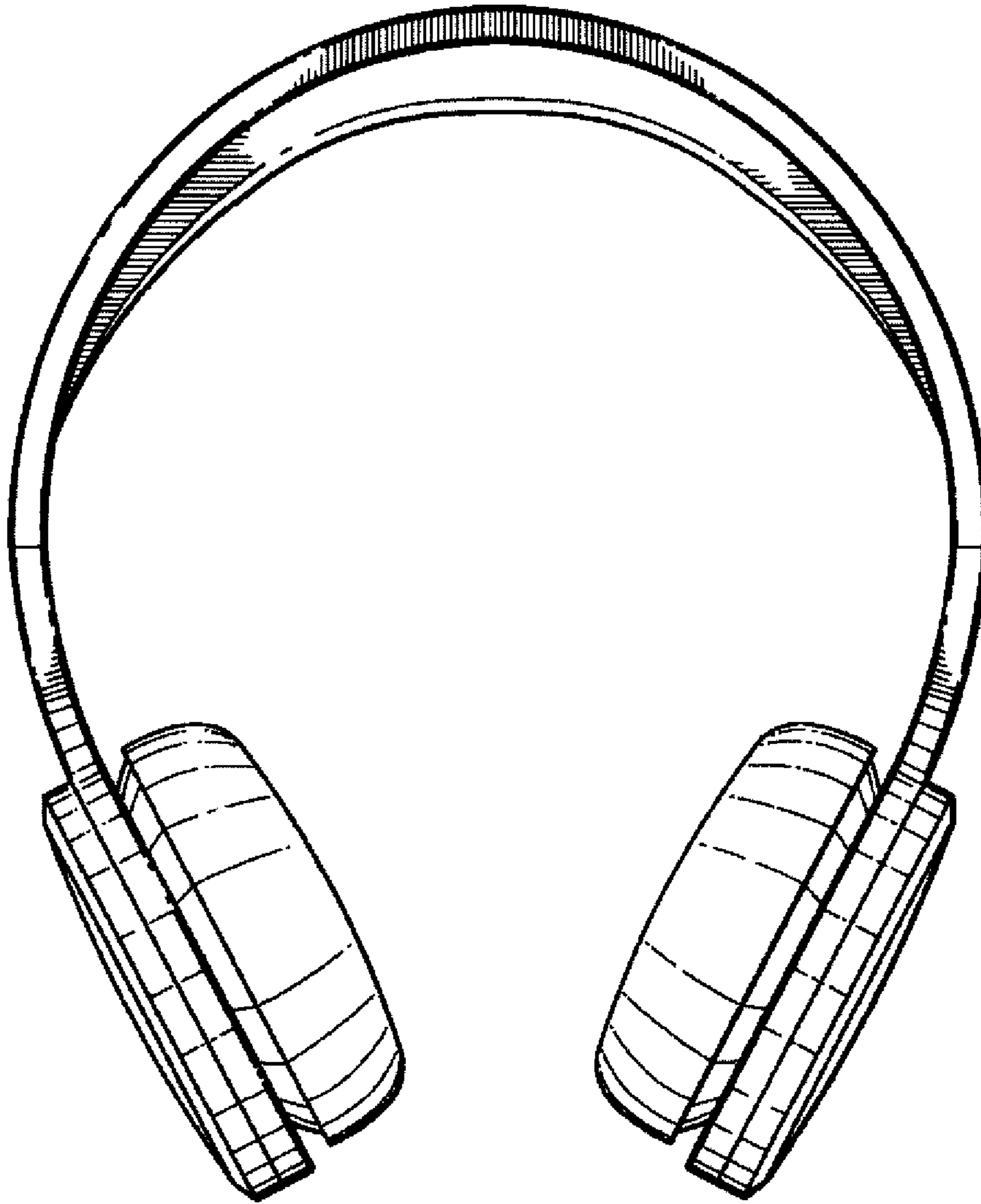


FIG. 2

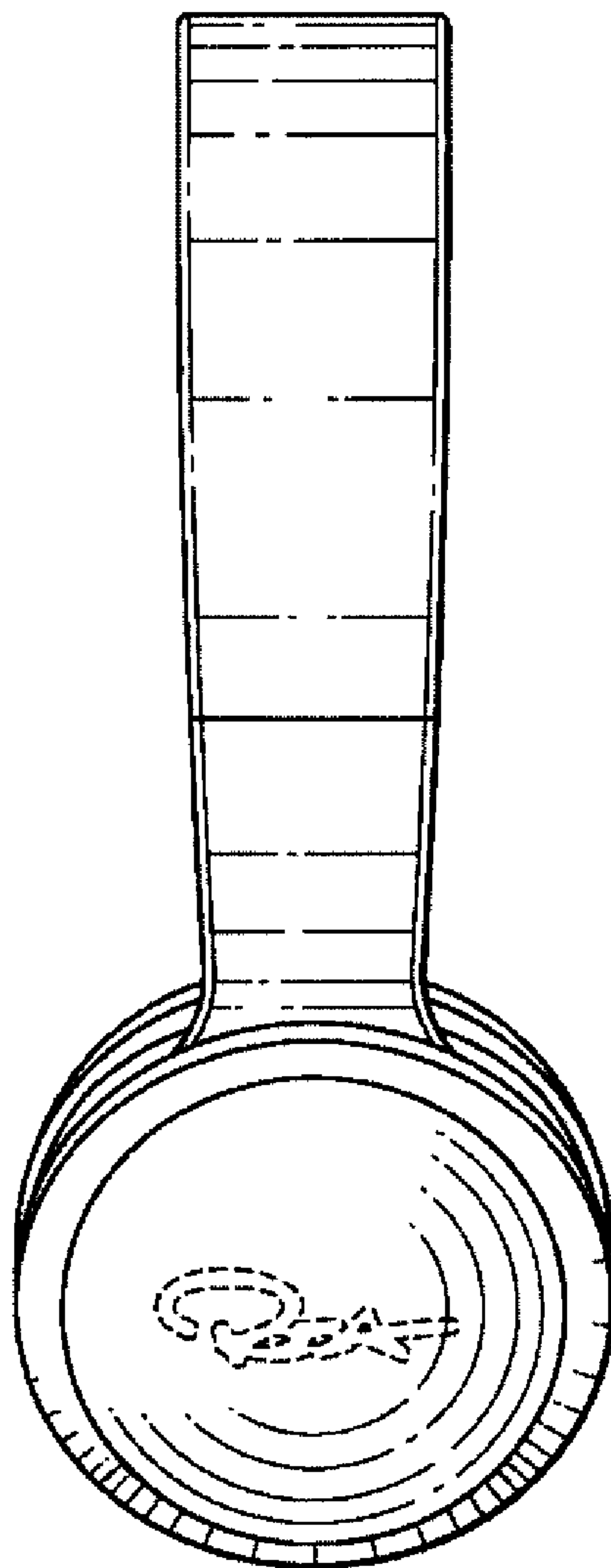


FIG. 3

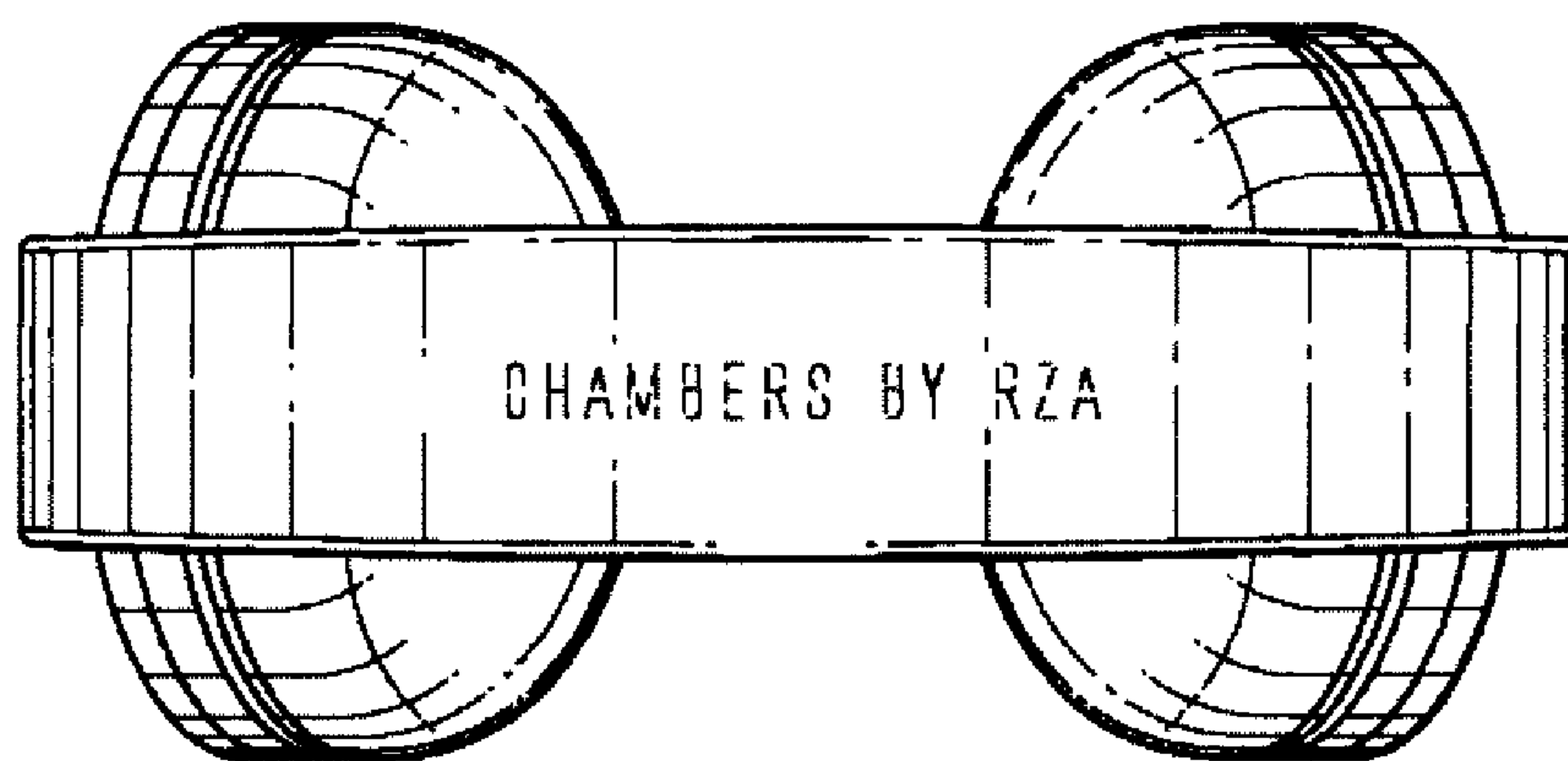


FIG. 4

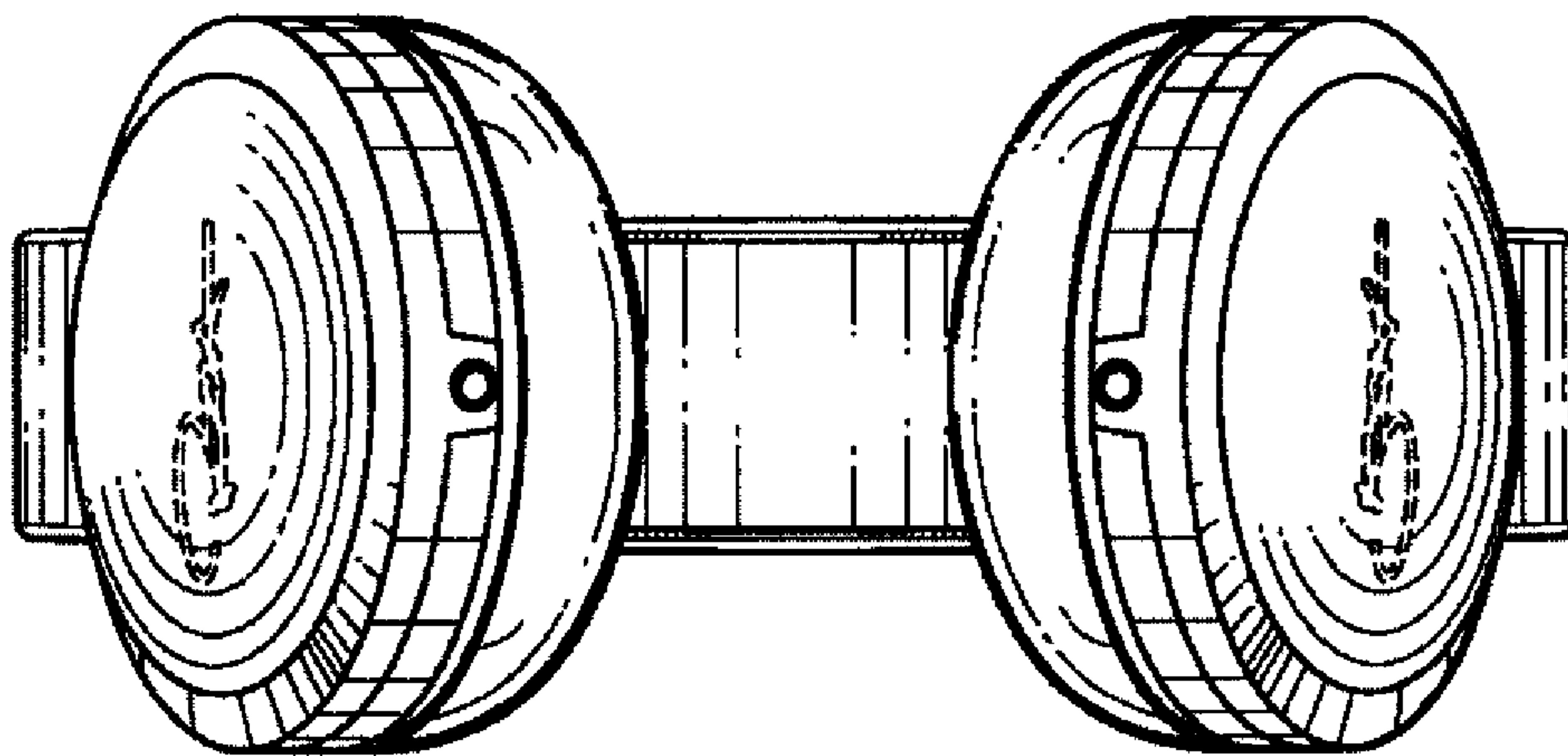


FIG. 5

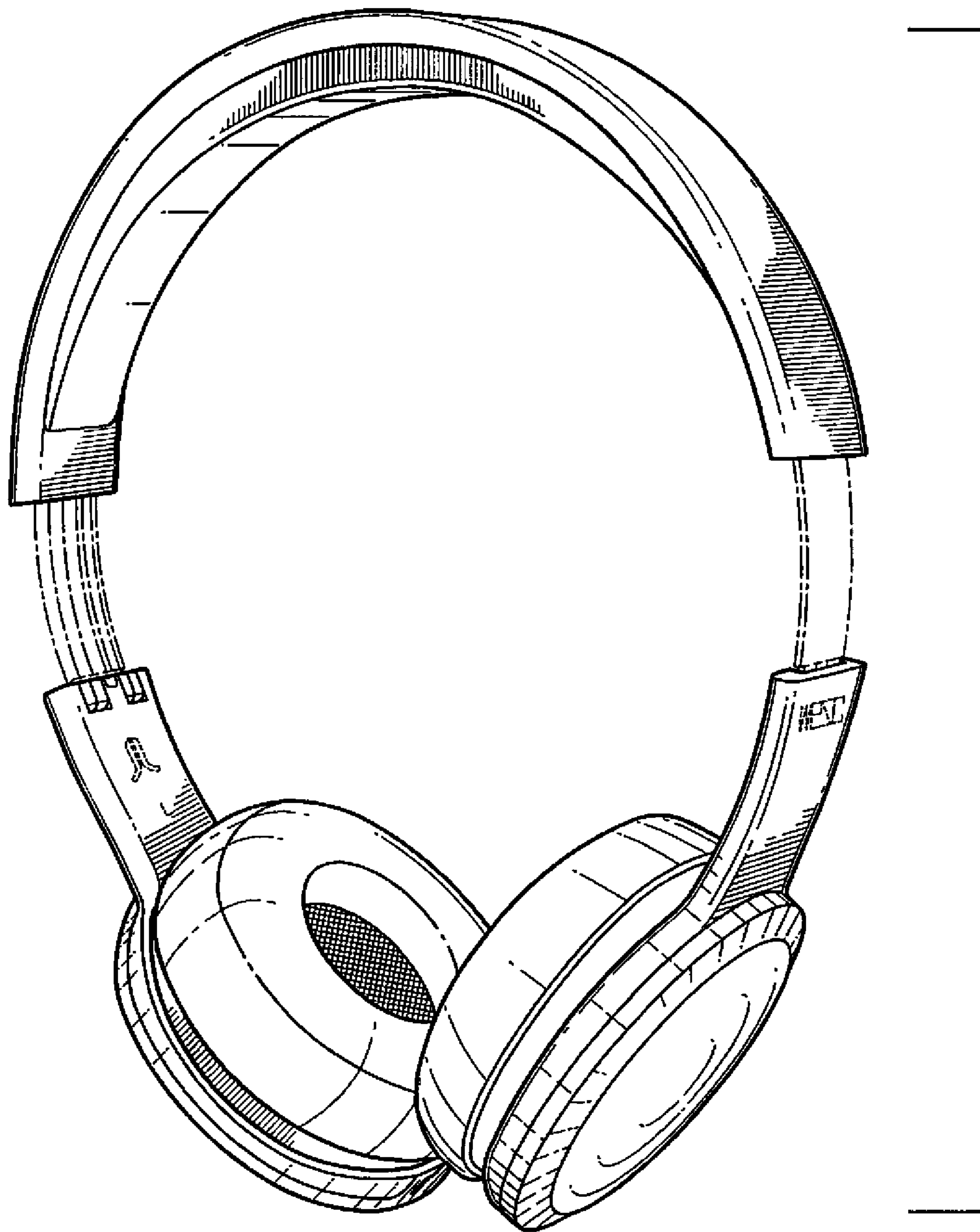


FIG. 6