



US00D678859S

(12) **United States Design Patent**
Lee

(10) **Patent No.:** **US D678,859 S**
(45) **Date of Patent:** **** Mar. 26, 2013**

(54) **HEADPHONES**

(75) Inventor: **Noel Lee**, Las Vegas, NV (US)

(73) Assignee: **Monster, LLC**, Las Vegas, NV (US)

(**) Term: **14 Years**

(21) Appl. No.: **29/407,953**

(22) Filed: **Dec. 5, 2011**

(51) **LOC (9) Cl.** **14-01**

(52) **U.S. Cl.** **D14/205**

(58) **Field of Classification Search** D14/205,
D14/206, 223, 192; D29/112; 2/209; 181/129,
181/130, 135; 379/430, 431; 381/380, 381;
455/90.3, 575.1

See application file for complete search history.

(56) **References Cited**

U.S. PATENT DOCUMENTS

4,542,803	A	*	9/1985	Houng	181/129
D313,092	S	*	12/1990	Nilsson	D29/112
D317,767	S	*	6/1991	Banks	D14/205
D328,074	S	*	7/1992	Yamazaki et al.	D14/205
D337,115	S	*	7/1993	Yamazaki et al.	D14/205
D386,181	S	*	11/1997	Fisher	D14/205
D394,062	S	*	5/1998	Chun	D14/192
D552,077	S	*	10/2007	Brunner et al.	D14/205
D571,354	S	*	6/2008	Ng	D14/205
D573,581	S	*	7/2008	Gondo et al.	D14/205
D576,604	S	*	9/2008	Suzuki	D14/205
D588,100	S	*	3/2009	Densho et al.	D14/205
D593,995	S	*	6/2009	Shimizu	D14/205
D594,441	S		6/2009	Lee et al.		
D598,901	S		8/2009	Lee et al.		
D599,781	S		9/2009	Lee et al.		
D600,674	S	*	9/2009	Brennwald	D14/205
D600,675	S		9/2009	Lee et al.		
D616,865	S	*	6/2010	Marchand et al.	D14/205
D617,769	S	*	6/2010	Birger	D14/205
D625,705	S	*	10/2010	Ohori et al.	D14/205
D632,668	S	*	2/2011	Brunner et al.	D14/205

D633,471	S	*	3/2011	Sugiyama	D14/205
D634,732	S	*	3/2011	Kondo et al.	D14/205
D637,176	S	*	5/2011	Brunner et al.	D14/205
D637,182	S		5/2011	Lee et al.		
D641,008	S		7/2011	Lee et al.		
D642,163	S		7/2011	Lee et al.		
D643,417	S		8/2011	Lee et al.		
D643,418	S		8/2011	Lee et al.		
D643,833	S		8/2011	Lee et al.		
D656,480	S	*	3/2012	McManigal et al.	D14/205
D657,344	S	*	4/2012	Brunner et al.	D14/205
D657,346	S	*	4/2012	Park	D14/205
D662,080	S	*	6/2012	Carr et al.	D14/205
D663,716	S	*	7/2012	Hardi et al.	D14/205
D664,118	S	*	7/2012	Tappeiner et al.	D14/205
D665,775	S	*	8/2012	Katsumata	D14/205
D666,579	S	*	9/2012	Hou	D14/205
D666,992	S	*	9/2012	Lee et al.	D14/205

* cited by examiner

Primary Examiner — Paula Greene

(74) *Attorney, Agent, or Firm* — LaRiviere, Grubman & Payne, LLP

(57) **CLAIM**

The ornamental design for headphones, as shown and described.

DESCRIPTION

FIG. 1 is a front perspective view of headphones, showing our design;

FIG. 2 is front view thereof;

FIG. 3 is a rear view thereof;

FIG. 4 is a side view thereof;

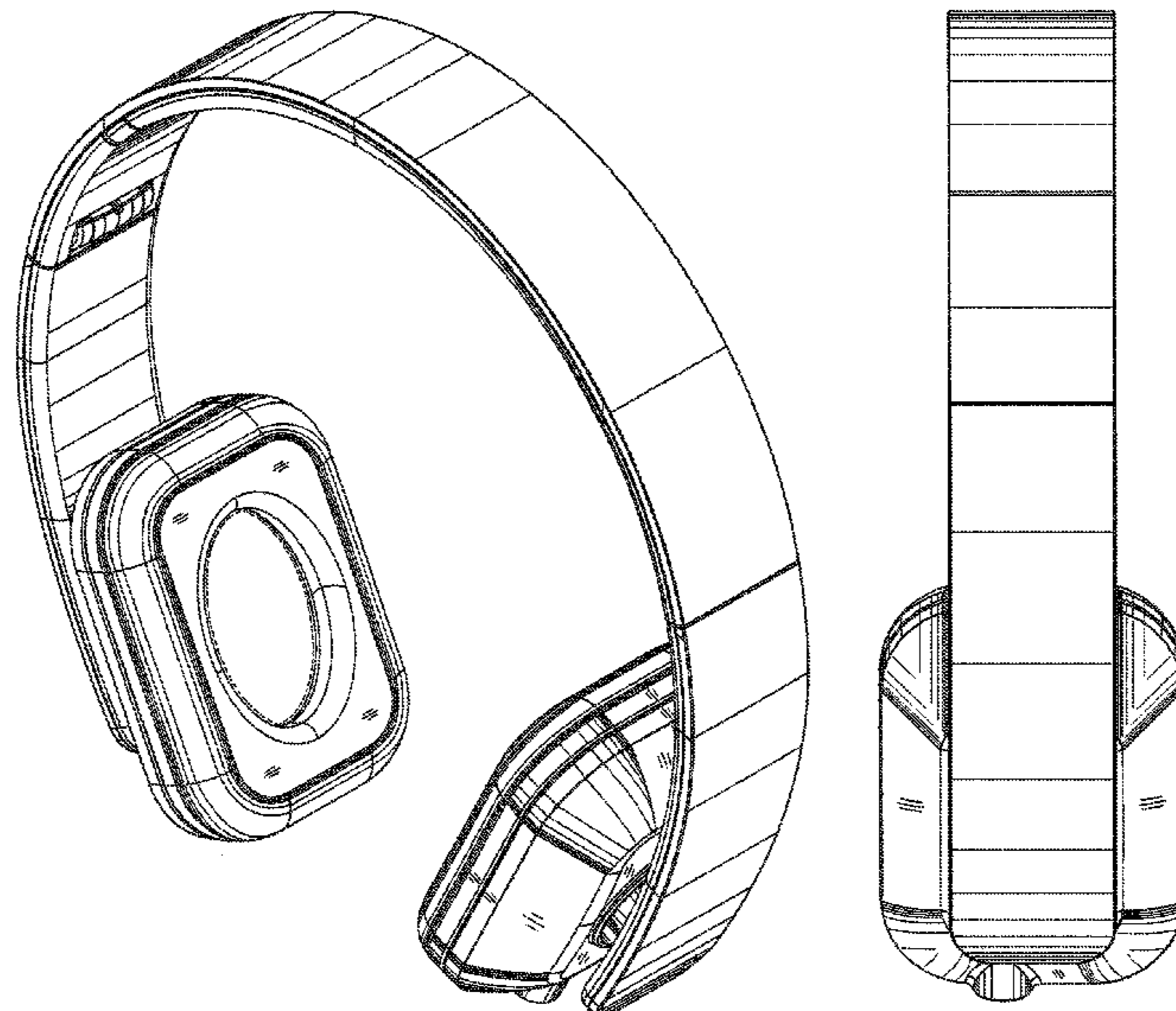
FIG. 5 is an opposing side view thereof;

FIG. 6 is a top view thereof; and,

FIG. 7 is a bottom view thereof.

The broken lines showing the environment in the figures are for illustrative purposes only and form no part of the claimed design.

1 Claim, 5 Drawing Sheets



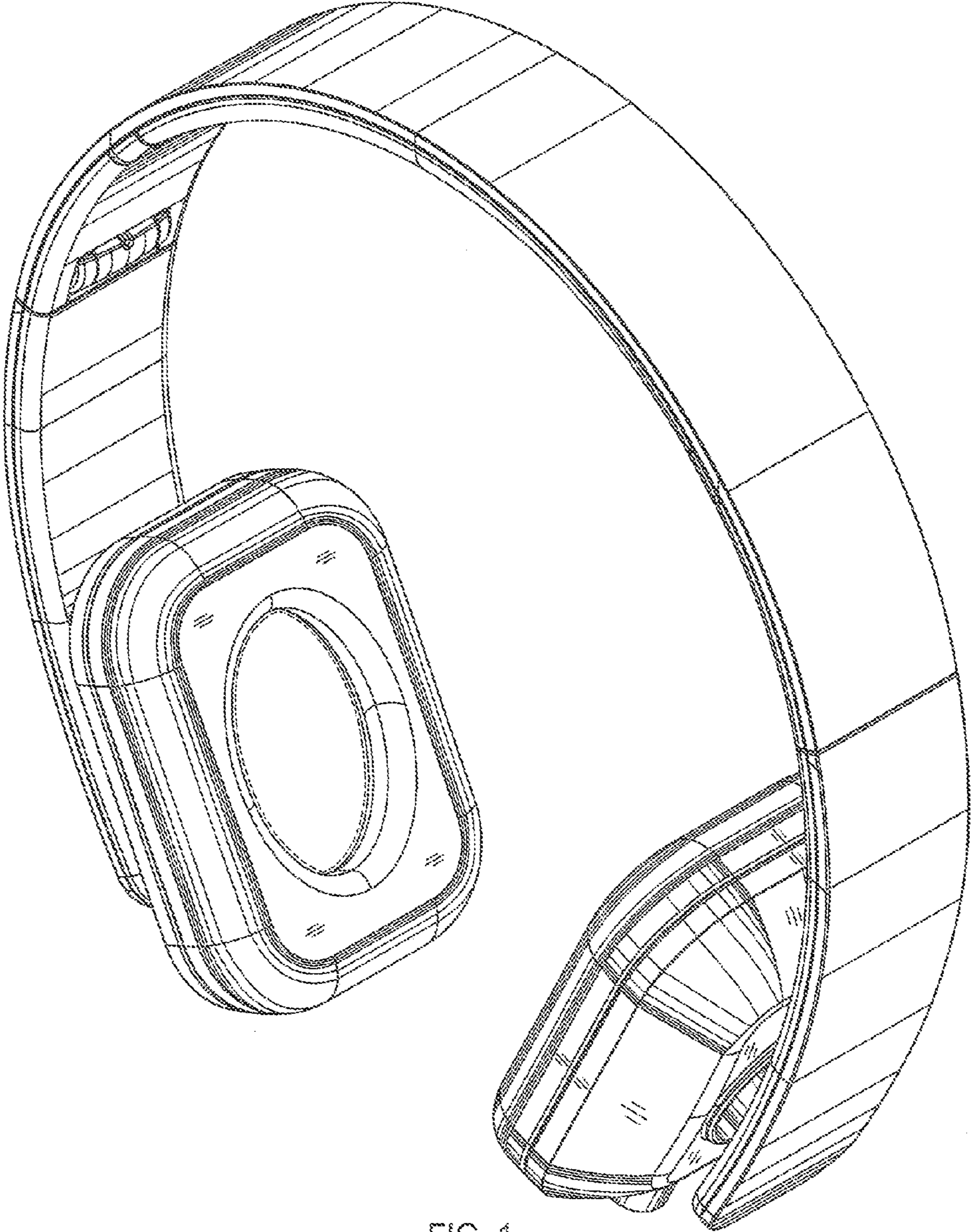


FIG. 1



FIG. 2

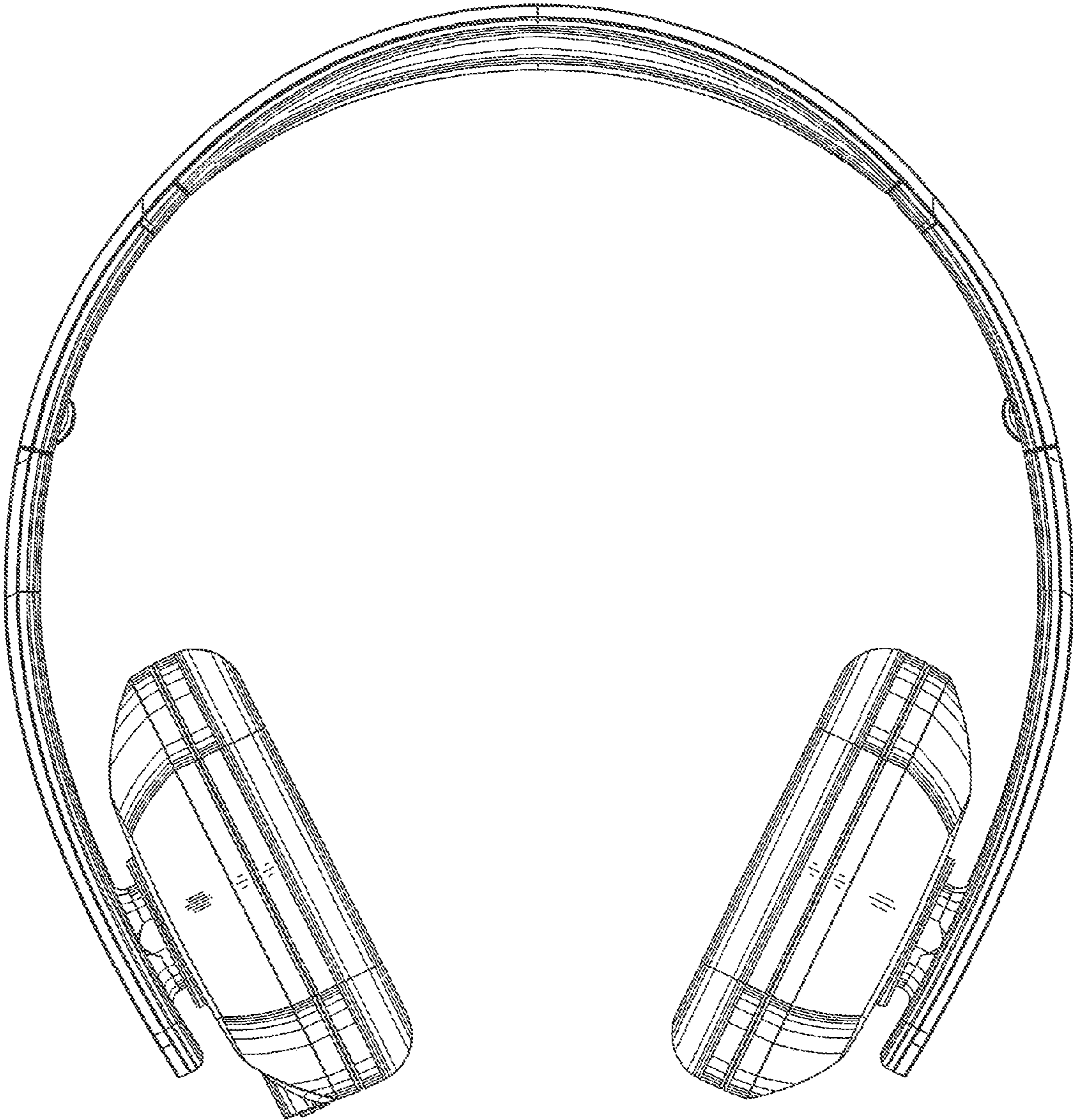


FIG. 3

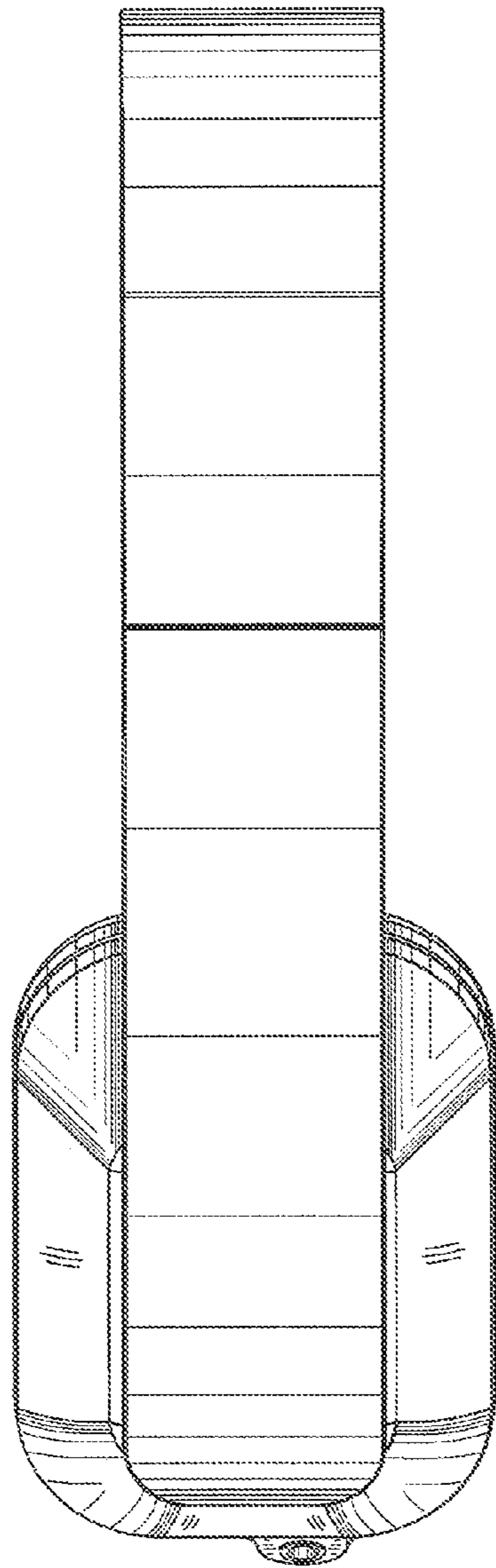


FIG. 4

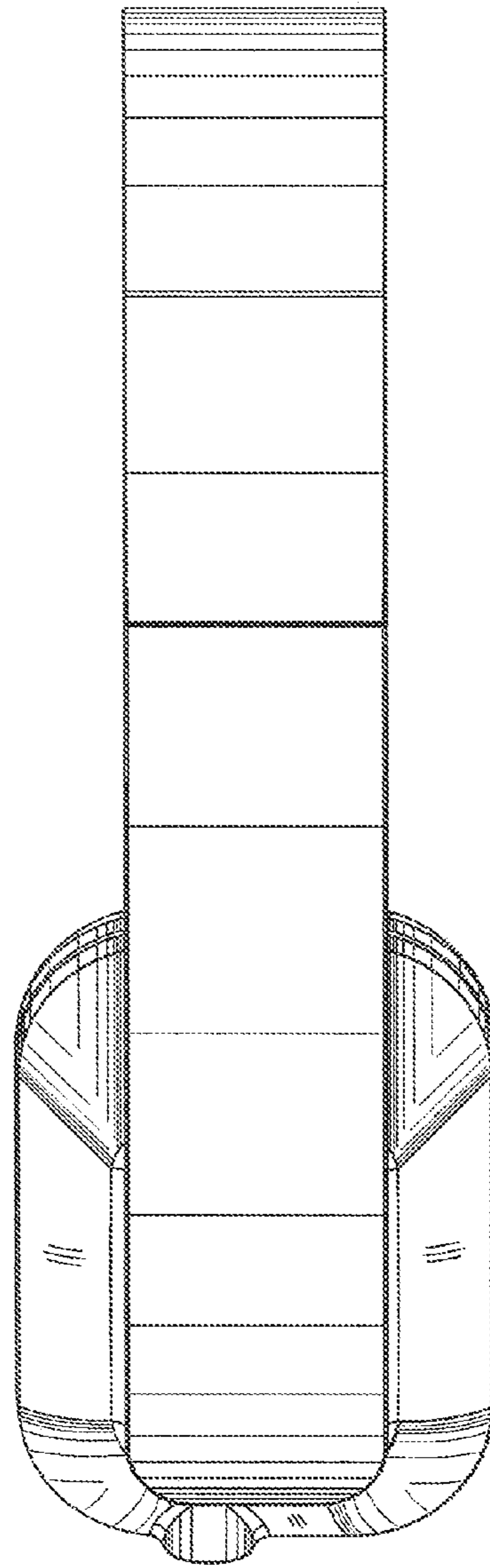


FIG. 5

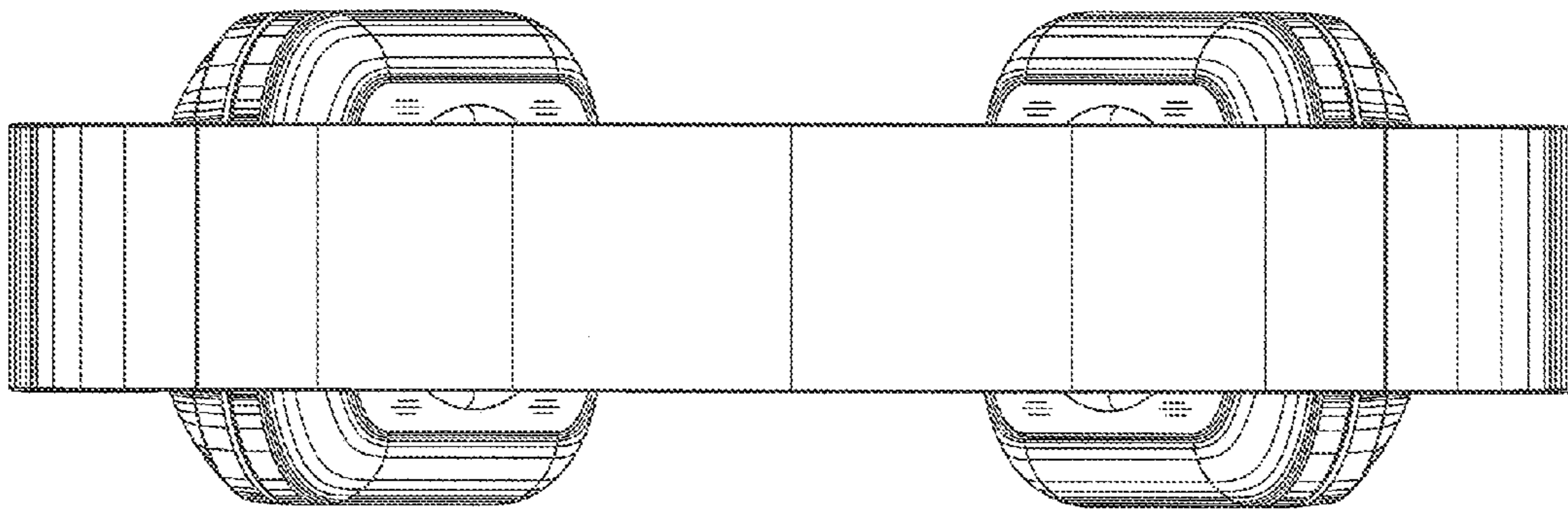


FIG. 6

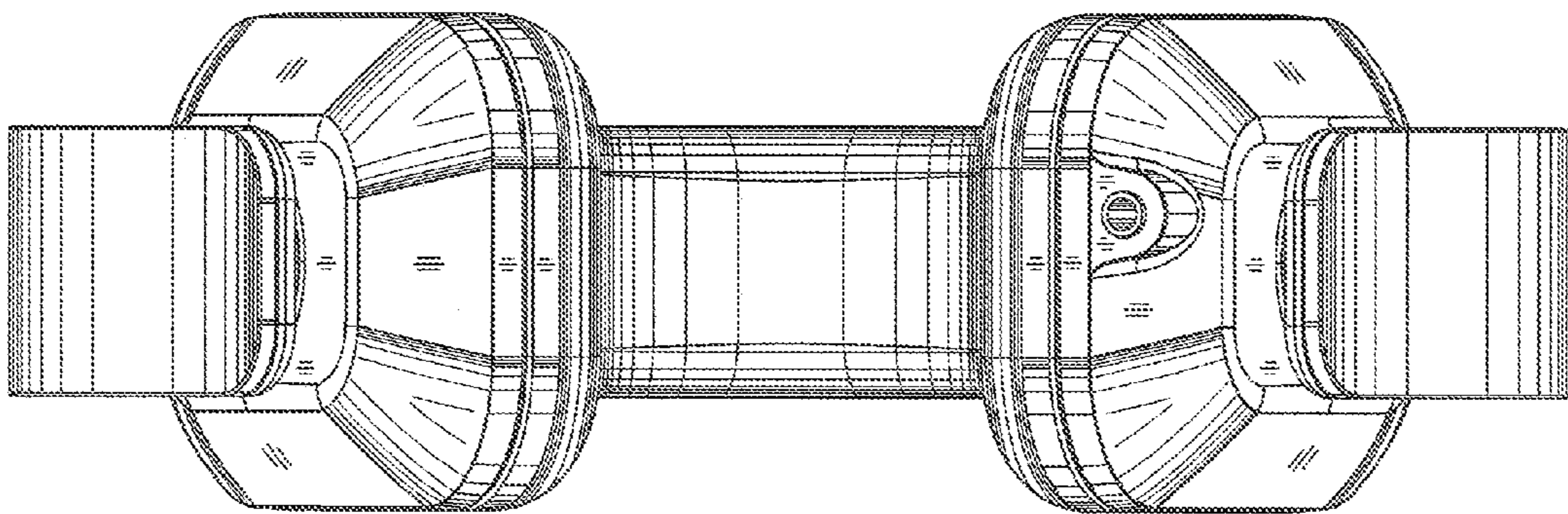


FIG. 7