



US00D678853S

(12) **United States Design Patent**
Kim et al.

(10) **Patent No.:** **US D678,853 S**
(45) **Date of Patent:** **** Mar. 26, 2013**

(54) **TELEVISION RECEIVER**

(71) Applicant: **LG Electronics Inc.**, Seoul (KR)
(72) Inventors: **Yeonjin Kim**, Seoul (KR); **Sunggu Joe**,
Seoul (KR); **Eunbong Lee**, Seoul (KR);
Yongseock Kim, Gyeonggi-do (KR)
(73) Assignee: **LG Electronics Inc.**, Seoul (KR)

(**) Term: **14 Years**

(21) Appl. No.: **29/435,426**

(22) Filed: **Oct. 24, 2012**

(30) **Foreign Application Priority Data**

Apr. 26, 2012 (KR) 30-2012-0020234

(51) **LOC (9) Cl.** **14-03**

(52) **U.S. Cl.** **D14/126**

(58) **Field of Classification Search** D14/125-134,
D14/239, 371, 136, 374-377, 440, 450, 448,
D14/336, 342, 159; 312/7.2; 348/836, 838,
348/180, 184, 325, 739; 341/12; 248/917-924,
248/465; 345/104, 133, 156, 168, 87, 173;
720/605, 669, 600, 655; 369/99, 197; D21/329,
D21/515, 577, 622, 333, 433, 448, 452, 450,
D21/331; D6/477, 479, 300; 273/148 B;
446/484, 175, 356; D10/15, 26

See application file for complete search history.

(56) **References Cited**

U.S. PATENT DOCUMENTS

D605,149	S	*	12/2009	Kim et al.	D14/126
D620,903	S	*	8/2010	Song et al.	D14/126
D626,924	S	*	11/2010	Miyaji	D14/126
D661,269	S	*	6/2012	Lee et al.	D14/126
D669,872	S	*	10/2012	Yagi	D14/126
D671,513	S	*	11/2012	Jang et al.	D14/126

* cited by examiner

Primary Examiner — Raphael Barkai

(74) *Attorney, Agent, or Firm* — Morgan, Lewis & Bockius LLP

(57) **CLAIM**

The ornamental design for a television receiver, as shown and described.

DESCRIPTION

FIG. 1 is a perspective view of a television receiver showing our new design;
FIG. 2 is a front view thereof;
FIG. 3 is a rear view thereof;
FIG. 4 is a left side view thereof;
FIG. 5 is a right side view thereof;
FIG. 6 is top plan view thereof;
FIG. 7 is a bottom plan view thereof; and,
FIG. 8 is a rear perspective view thereof.

1 Claim, 7 Drawing Sheets

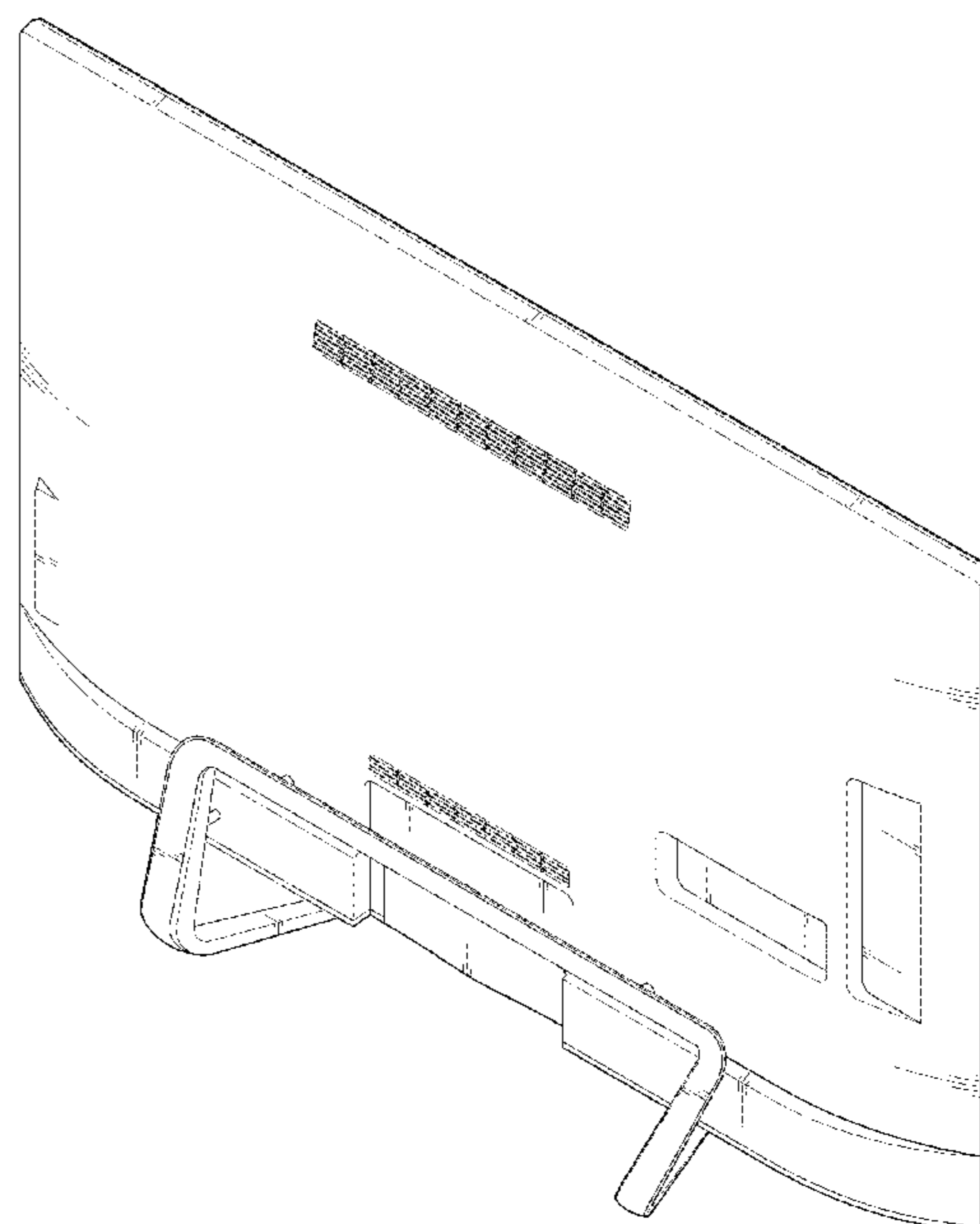
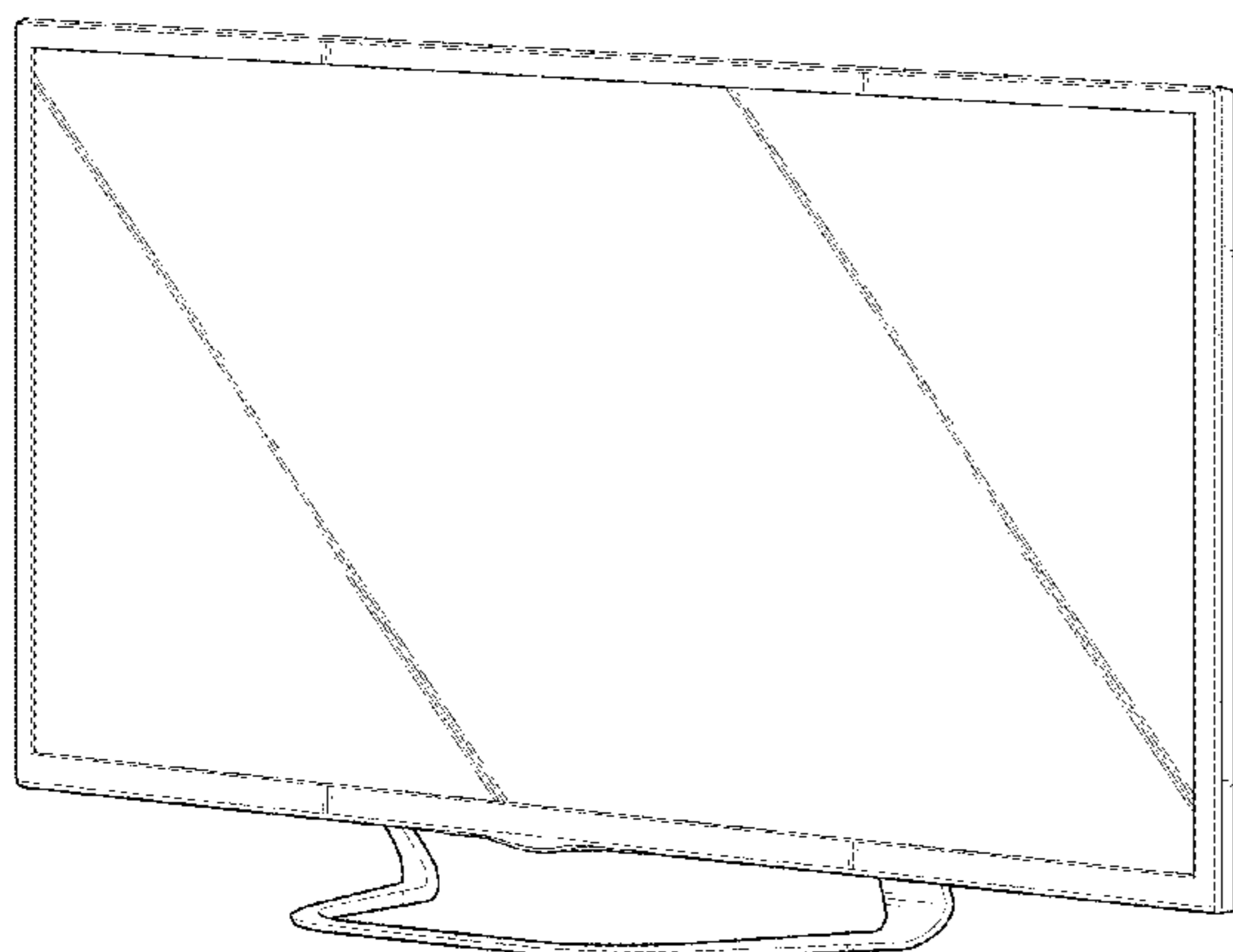


FIG. 1

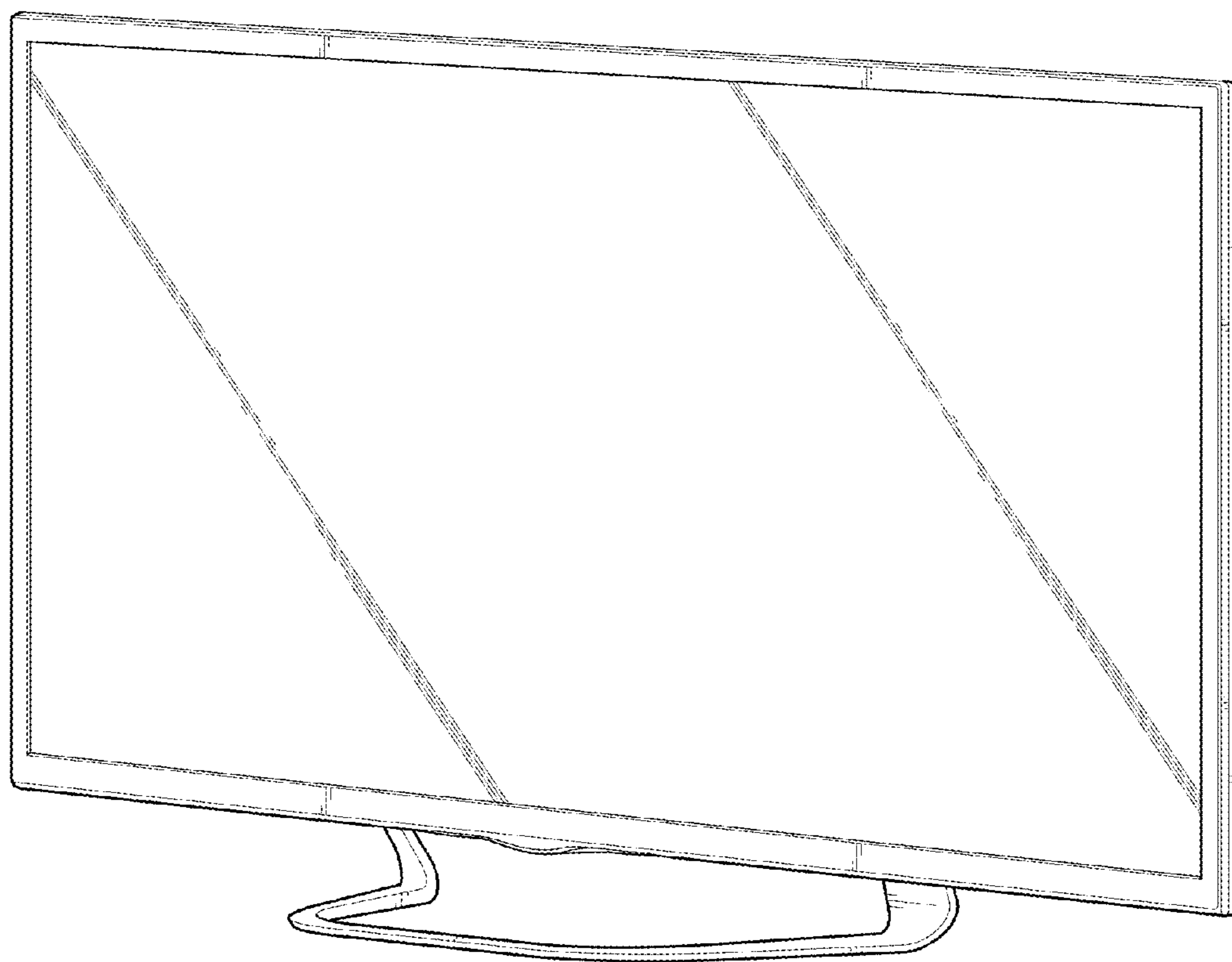


FIG. 2

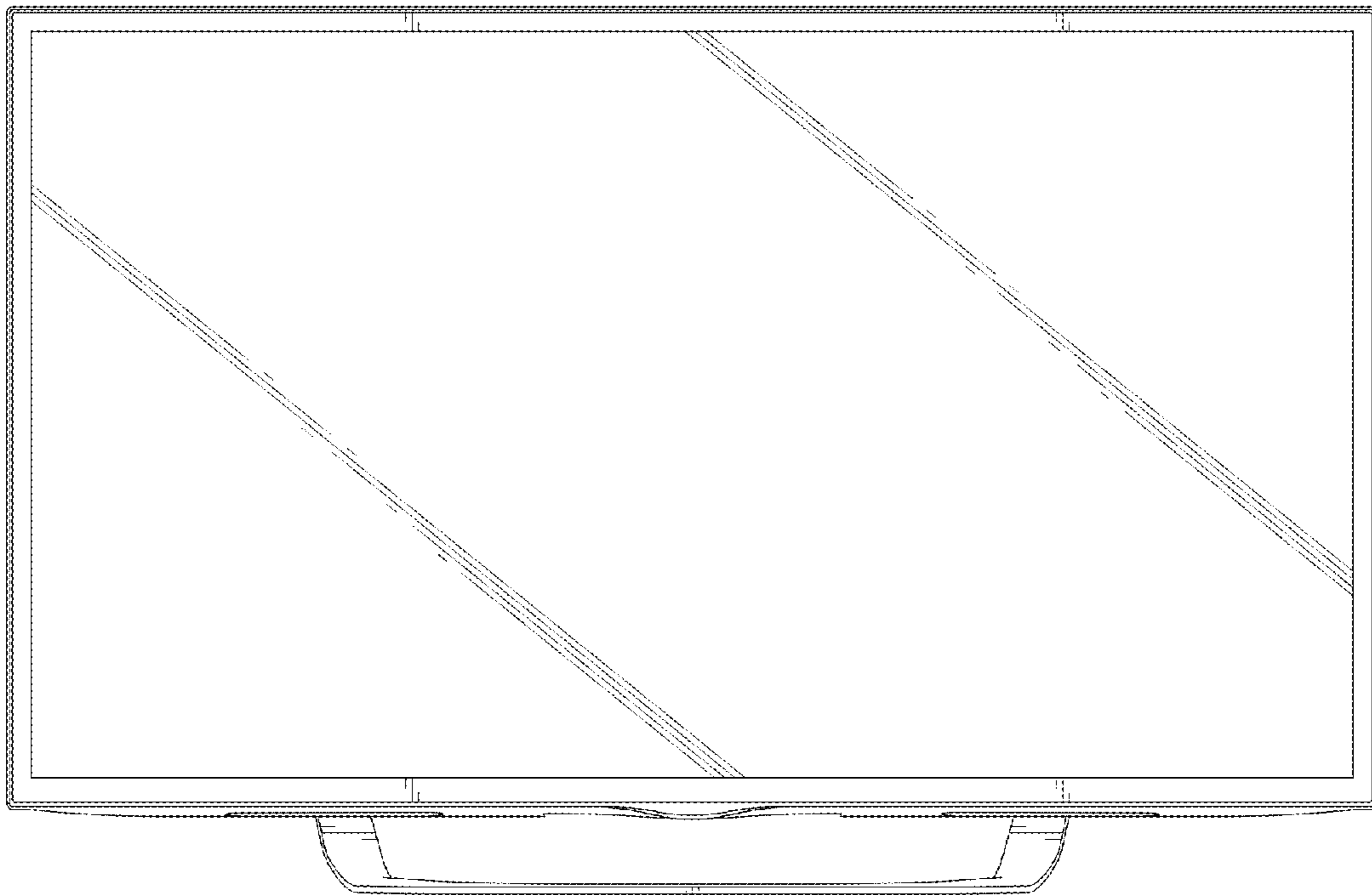


FIG. 3

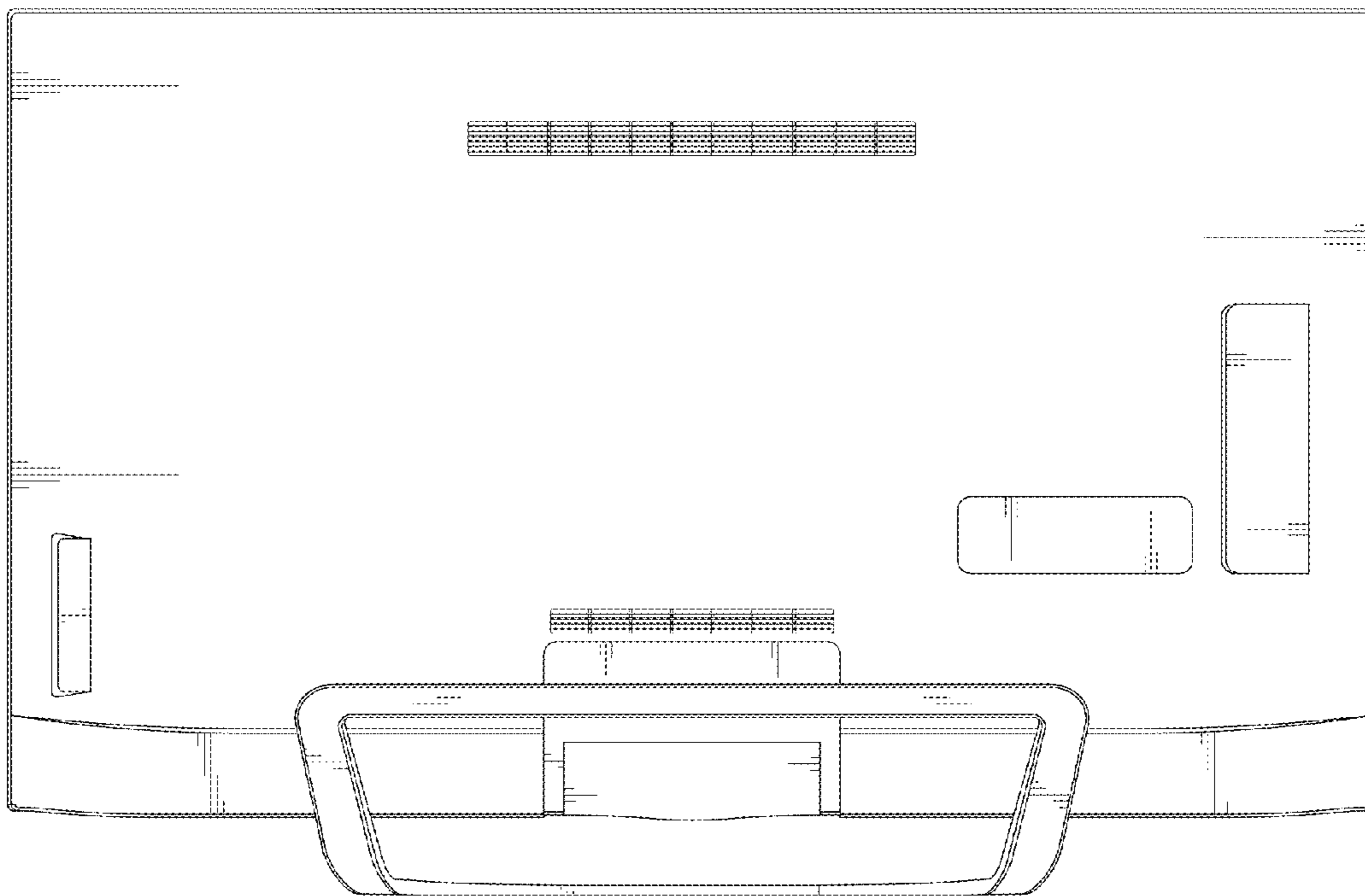


FIG. 4

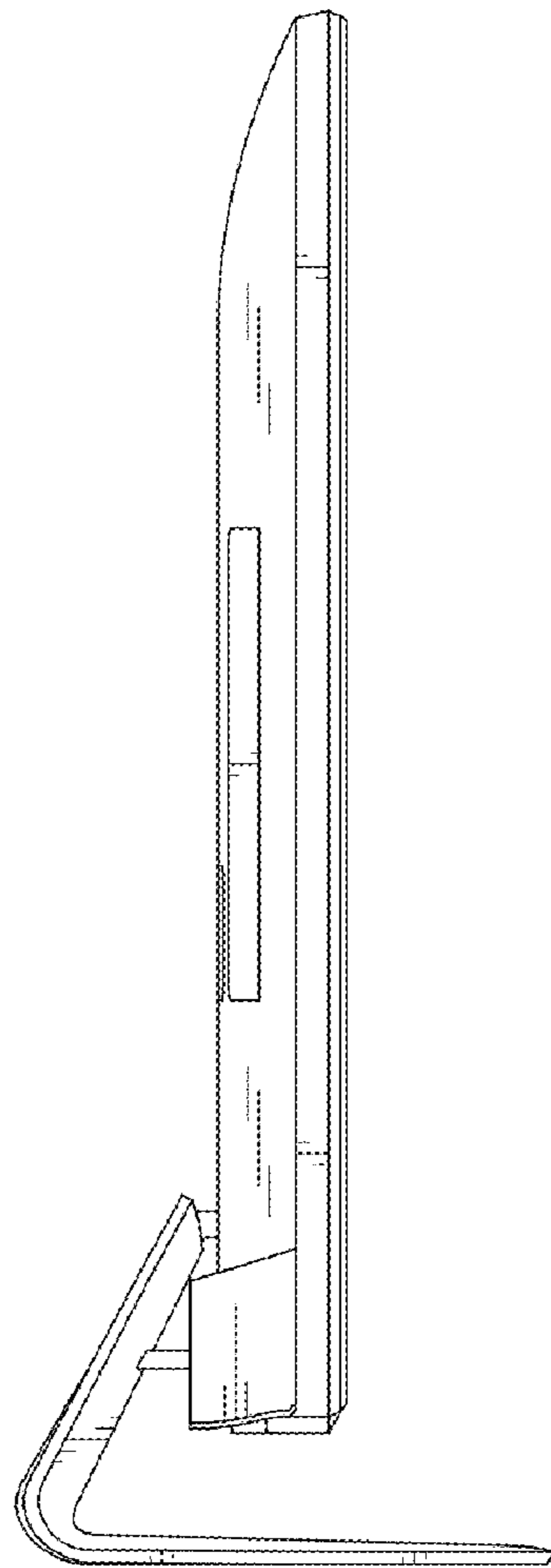


FIG. 5

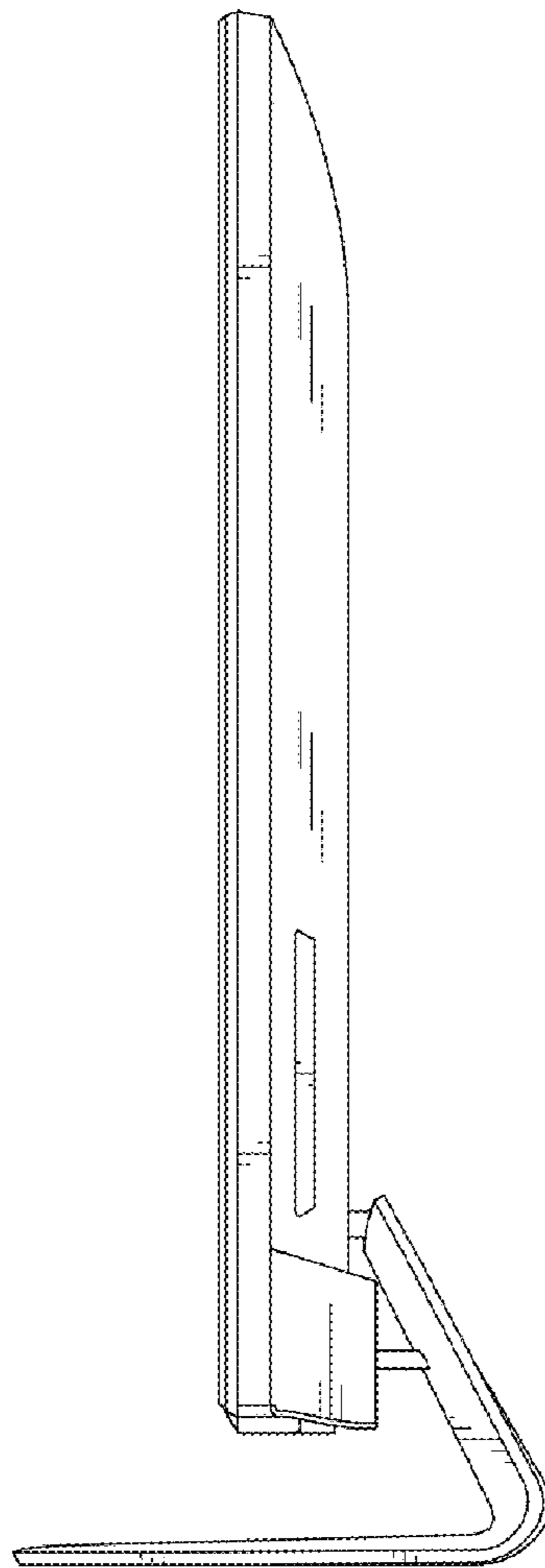


FIG. 6

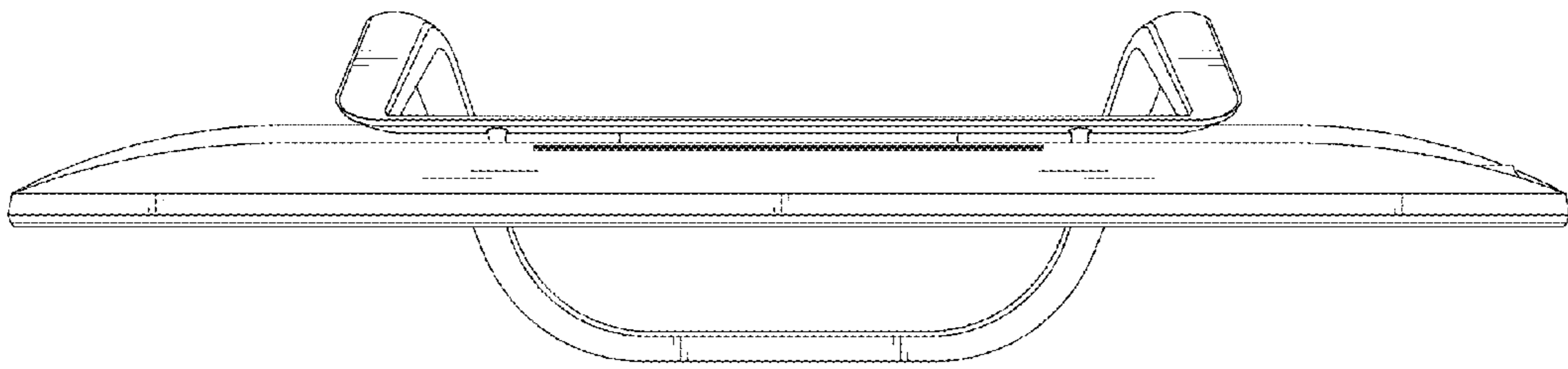


FIG. 7

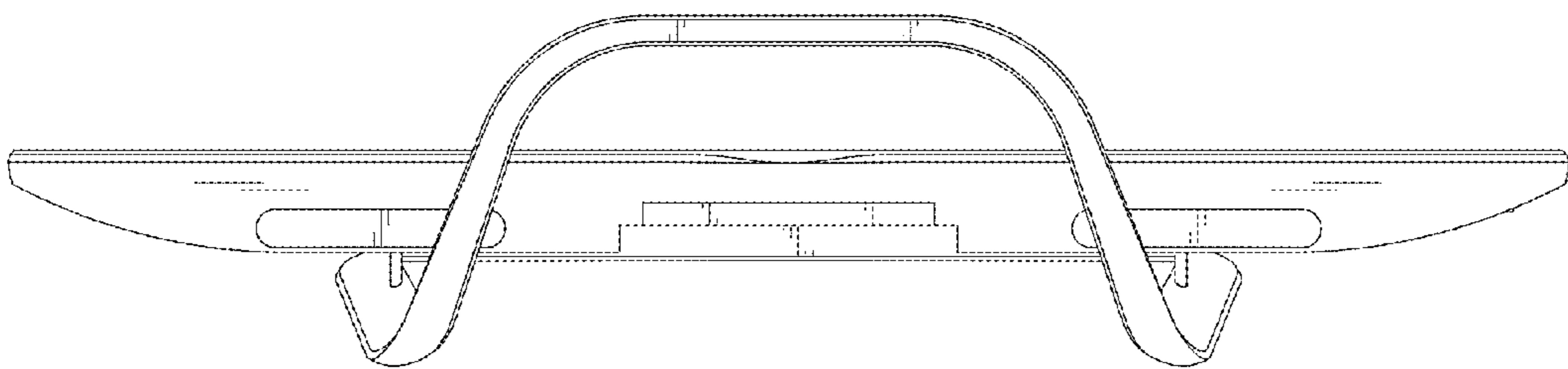


FIG. 8

