



US00D678851S

(12) **United States Design Patent**
Wisniewski et al.

(10) **Patent No.:** **US D678,851 S**
(45) **Date of Patent:** **** Mar. 26, 2013**

(54) **WALL MOUNTED BUTTON PANEL**

(75) Inventors: **Stanley Wisniewski**, Pompton Plains, NJ (US); **Doug Jacobson**, Oradell, NJ (US)

(73) Assignee: **Crestron Electronics Inc.**, Rockleigh, NJ (US)

(**) Term: **14 Years**

(21) Appl. No.: **29/394,174**

(22) Filed: **Jun. 14, 2011**

(51) **LOC (9) Cl.** **13-03**

(52) **U.S. Cl.** **D13/174**

(58) **Field of Classification Search** D13/162, D13/164, 171, 174; 174/66; 307/139, 157; 315/209 R, 224, 246, 291, 294, 295; 200/5 R, 200/5 A, 302.2, 520, 530, 293, 296, 308, 200/310, 314, 329, 341; 220/241

See application file for complete search history.

(56) **References Cited**

U.S. PATENT DOCUMENTS

D285,066 S 8/1986 Liss et al.

(Continued)

OTHER PUBLICATIONS

Crestron Electronics, Inc., Cameo Keypads Operations and Installation Guide, Feb. 2006, pp. front, cover, i, 1-8, rear cover.

Exhibit A-Lutron Electronics v. Crestron Electronics CV 2:09-cv-07, Third Amended Complaint.

Primary Examiner — Selina Sikder

(74) Attorney, Agent, or Firm — Crestron Electronics Inc.

(57) **CLAIM**

The ornamental design for a wall mounted button panel, as shown and described.

DESCRIPTION

FIG. 1 shows a front elevational view of a first embodiment of a wall mounted button panel, with elements in dashed lines forming no part of the claimed design.

FIG. 2 shows an isometric projection of the wall mounted button panel of FIG. 1, with elements in dashed lines forming no part of the claimed design.

FIG. 3 shows a left side elevational view of the wall mounted button panel of FIG. 1, with elements in dashed lines forming no part of the claimed design.

FIG. 4 shows a right side elevational view of the wall mounted button panel of FIG. 1, with elements in dashed lines forming no part of the claimed design.

FIG. 5 shows a top plan view of the wall mounted button panel of FIG. 1, with elements in dashed lines forming no part of the claimed design.

FIG. 6 shows a bottom plan view of the wall mounted button panel of FIG. 1, with elements in dashed lines forming no part of the claimed design.

FIG. 7 shows a front elevational view of another embodiment of a wall mounted button panel, with elements in dashed lines forming no part of the claimed design.

FIG. 8 shows an isometric projection of the wall mounted button panel of FIG. 7, with elements in dashed lines forming no part of the claimed design.

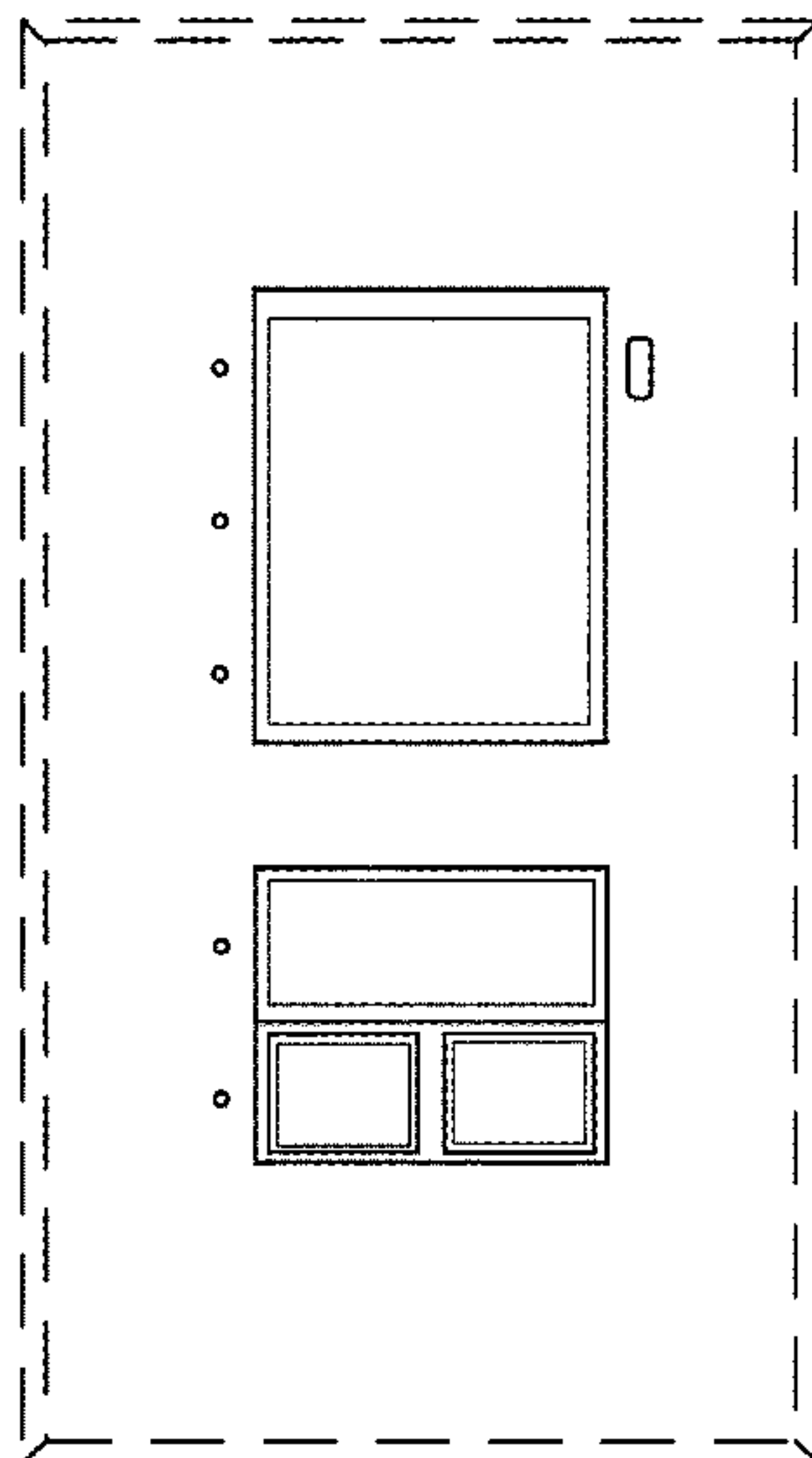
FIG. 9 shows a left side elevational view of the wall mounted button panel of FIG. 7, with elements in dashed lines forming no part of the claimed design.

FIG. 10 shows a right side elevational view of the wall mounted button panel of FIG. 7, with elements in dashed lines forming no part of the claimed design.

FIG. 11 shows a top plan view of the wall mounted button panel of FIG. 7, with elements in dashed lines forming no part of the claimed design; and,

FIG. 12 shows a bottom plan view of the wall mounted button panel of FIG. 7, with elements in dashed lines forming no part of the claimed design.

1 Claim, 8 Drawing Sheets



US D678,851 S

Page 2

U.S. PATENT DOCUMENTS

D287,242 S	12/1986	Liss et al.		D557,662 S	12/2007	Spira	
4,737,609 A *	4/1988	Yuhasz et al.	200/330	D557,664 S	12/2007	Hewson et al.	
4,757,168 A *	7/1988	Fujiyoshi et al.	200/296	D557,665 S	12/2007	Hewson et al.	
D311,382 S	10/1990	Mayo et al.		D572,664 S	7/2008	Hollner et al.	
D311,485 S	10/1990	Jacoby et al.		D572,665 S	7/2008	Hollner et al.	
D311,678 S	10/1990	Graef et al.		D572,666 S	7/2008	Biery et al.	
D313,738 S	1/1991	Mayo et al.		D573,546 S	7/2008	Hollner	
5,036,168 A *	7/1991	Kikuchi et al.	200/5 R	D573,956 S	7/2008	Hollner et al.	
D319,429 S	8/1991	D'Aleo et al.		D574,787 S	8/2008	Hollner	
D327,255 S	6/1992	D'Aleo et al.		D576,958 S	9/2008	Hollner	
D336,744 S	6/1993	Kahn et al.		D580,881 S	11/2008	Hollner	
D344,264 S	2/1994	D'Aleo et al.		D580,882 S	11/2008	Hollner	
D353,798 S	12/1994	Bryde et al.		D580,883 S	11/2008	Hollner	
5,608,196 A	3/1997	Hall et al.		D580,884 S	11/2008	Hollner	
D389,461 S	1/1998	Mayo et al.		D585,840 S	2/2009	Hollner	
D389,805 S	1/1998	Mayo et al.		D585,841 S	2/2009	Hollner	
D395,037 S	6/1998	Mayo et al.		D586,760 S	2/2009	Hollner et al.	
D404,013 S	1/1999	Mayo et al.		D588,070 S	3/2009	Hollner et al.	
D412,315 S	7/1999	Mayo et al.		D588,071 S	3/2009	Hollner et al.	
D421,246 S	2/2000	Mayo et al.		D588,072 S	3/2009	Hollner et al.	
D422,567 S	4/2000	Mayo et al.		D588,073 S	3/2009	Hollner	
D428,855 S	8/2000	Mayo et al.		D588,074 S	3/2009	Hollner	
6,120,262 A	9/2000	McDonough et al.		D588,075 S	3/2009	Hollner	
D436,930 S	1/2001	Butler		D588,553 S	3/2009	Hollner et al.	
D437,585 S	2/2001	Mayo et al.		D595,663 S	7/2009	Hollner	
D437,834 S	2/2001	Mayo et al.		D595,665 S	7/2009	Hollner	
D441,723 S	5/2001	Mayo et al.		D595,666 S	7/2009	Hollner	
D442,558 S	5/2001	Mayo et al.		D596,140 S	7/2009	Hollner	
D450,043 S	11/2001	Mosebrook		D604,743 S	11/2009	Altonen et al.	
D453,742 S	2/2002	Butler et al.		D612,400 S	3/2010	Altonen et al.	
D456,783 S	5/2002	Mayo et al.		D613,305 S	4/2010	Altonen et al.	
D461,782 S	8/2002	Butler et al.		D622,673 S *	8/2010	Maurer et al.	D13/162
D465,460 S	11/2002	Mayo et al.		7,796,057 B2	9/2010	Swatsky et al.	
D466,090 S	11/2002	Bennett		D624,881 S	10/2010	Altonen et al.	
D466,091 S	11/2002	Bennett		D624,882 S	10/2010	Altonen et al.	
D466,484 S	12/2002	Bennett		D625,273 S	10/2010	Felegy et al.	
6,545,434 B2	4/2003	Sembhi et al.		D633,448 S	3/2011	Biery et al.	
D475,024 S	5/2003	Bennett		D651,571 S *	1/2012	Feldstein et al.	D13/164
D475,025 S *	5/2003	Bennett et al.	D13/164	D651,572 S *	1/2012	Feldstein et al.	D13/164
D490,061 S	5/2004	Bennett		D651,573 S *	1/2012	Feldstein et al.	D13/164
D510,074 S	9/2005	Larson et al.		D651,574 S *	1/2012	Feldstein et al.	D13/164
D516,041 S	2/2006	Hobart et al.		D651,575 S *	1/2012	Feldstein et al.	D13/164
D519,939 S *	5/2006	Hedderich et al.	D13/164	D651,576 S *	1/2012	Feldstein et al.	D13/164
D535,950 S	1/2007	Alker et al.		D651,577 S *	1/2012	Feldstein et al.	D13/164
D538,238 S	3/2007	Alker et al.		D651,578 S *	1/2012	Feldstein et al.	D13/164
D539,758 S	4/2007	Blair et al.		D651,579 S *	1/2012	Feldstein et al.	D13/164
D542,226 S	5/2007	Spira		D651,580 S *	1/2012	Feldstein et al.	D13/164
D542,227 S	5/2007	Larson et al.		D651,983 S *	1/2012	Feldstein et al.	D13/164
D542,229 S	5/2007	Larson et al.		D651,984 S *	1/2012	Feldstein et al.	D13/164
D546,294 S	7/2007	Mayo et al.		D651,985 S *	1/2012	Feldstein et al.	D13/164
D546,776 S	7/2007	Mierta et al.		D651,986 S *	1/2012	Feldstein et al.	D13/164
D547,733 S	7/2007	Mayo et al.		D652,805 S *	1/2012	Feldstein et al.	D13/164
D547,734 S	7/2007	Mayo et al.		D652,806 S *	1/2012	Feldstein et al.	D13/164
D550,163 S	9/2007	Mayo et al.		D653,220 S *	1/2012	Feldstein et al.	D13/164
D550,164 S	9/2007	Mayo et al.		D657,319 S *	4/2012	Feldstein et al.	D13/164
D550,165 S	9/2007	Mayo et al.		8,149,591 B2 *	4/2012	Feldstein et al.	361/810
D550,166 S	9/2007	Mayo et al.		8,289,192 B2 *	10/2012	O'Donnell	341/22
D551,177 S	9/2007	Larson et al.		8,289,716 B2 *	10/2012	Patel et al.	361/728
D551,178 S	9/2007	Mayo et al.		2002/0060530 A1	5/2002	Sembhi et al.	
D551,179 S	9/2007	Mayo et al.		2005/0284738 A1	12/2005	Altonen et al.	
D551,630 S	9/2007	Larson et al.		2008/0111501 A1 *	5/2008	Dobbins et al.	315/294
D551,631 S	9/2007	Mayo et al.		2008/0237010 A1	10/2008	Patel et al.	
D552,042 S	10/2007	Mayo et al.		2010/0214756 A1	8/2010	Feldstein	

* cited by examiner

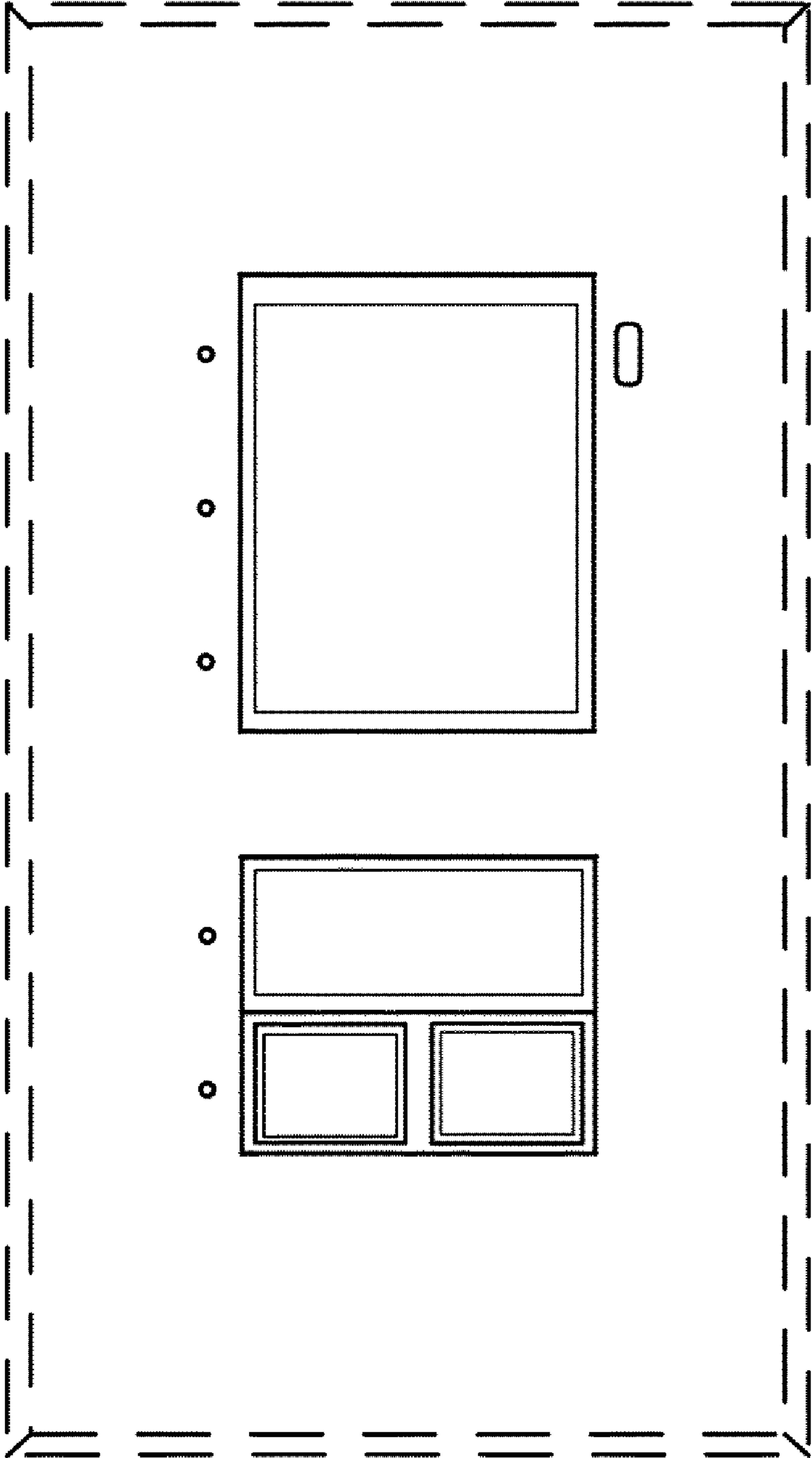


FIG. 1

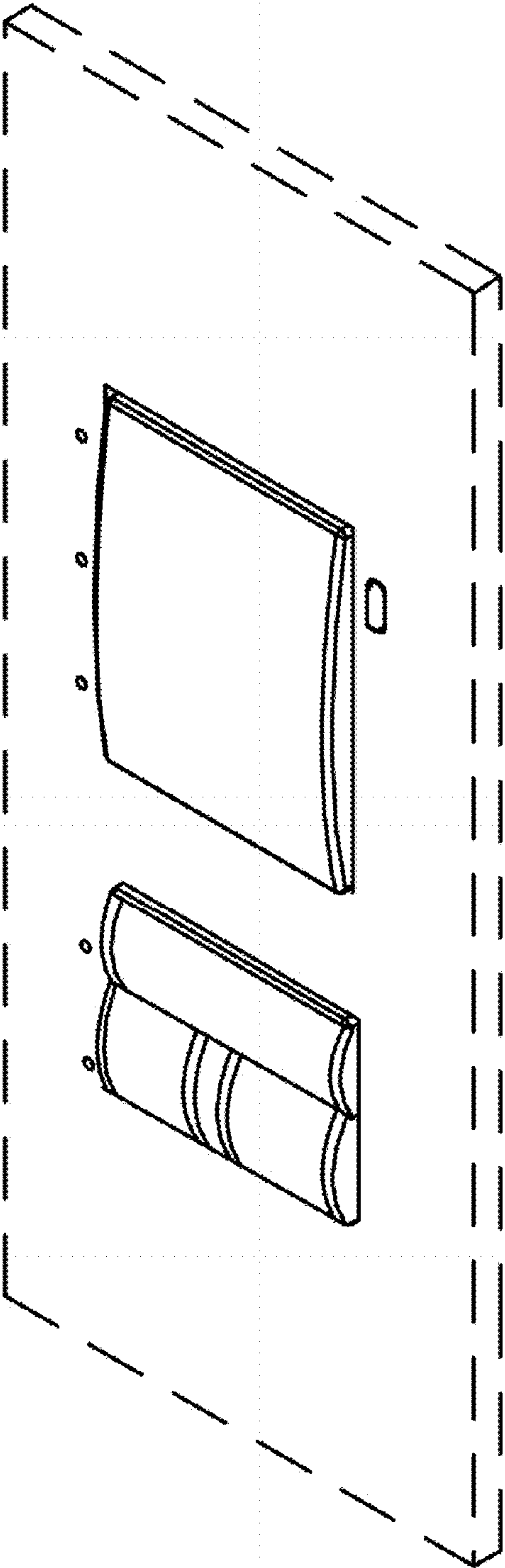


FIG. 2

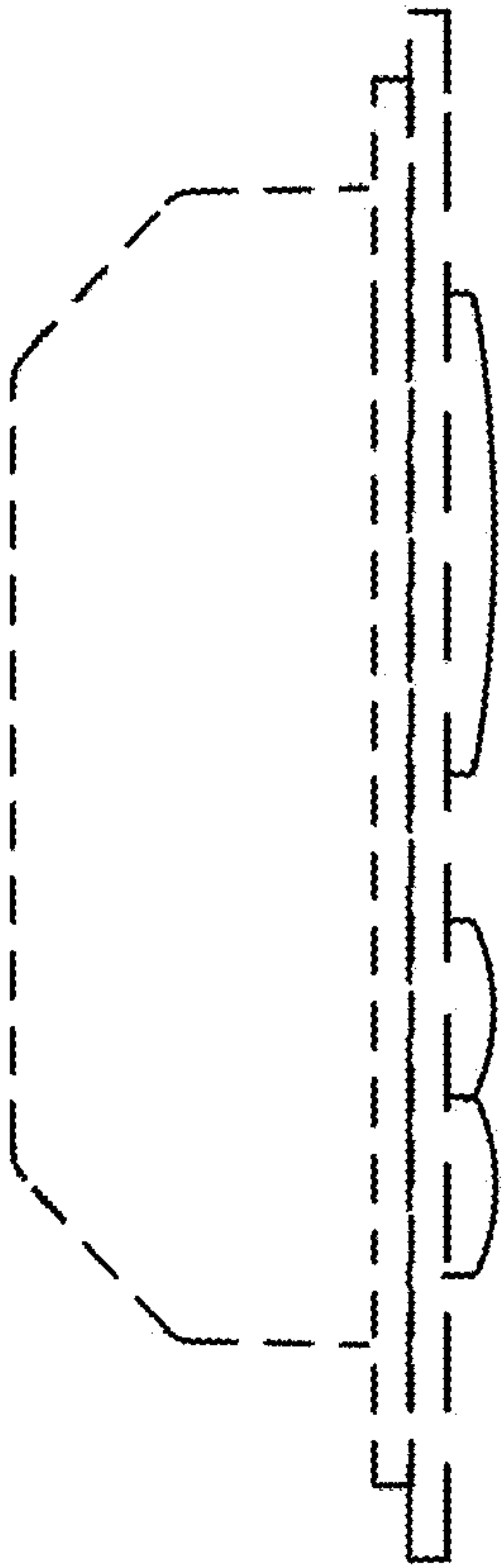


FIG. 3



FIG. 4

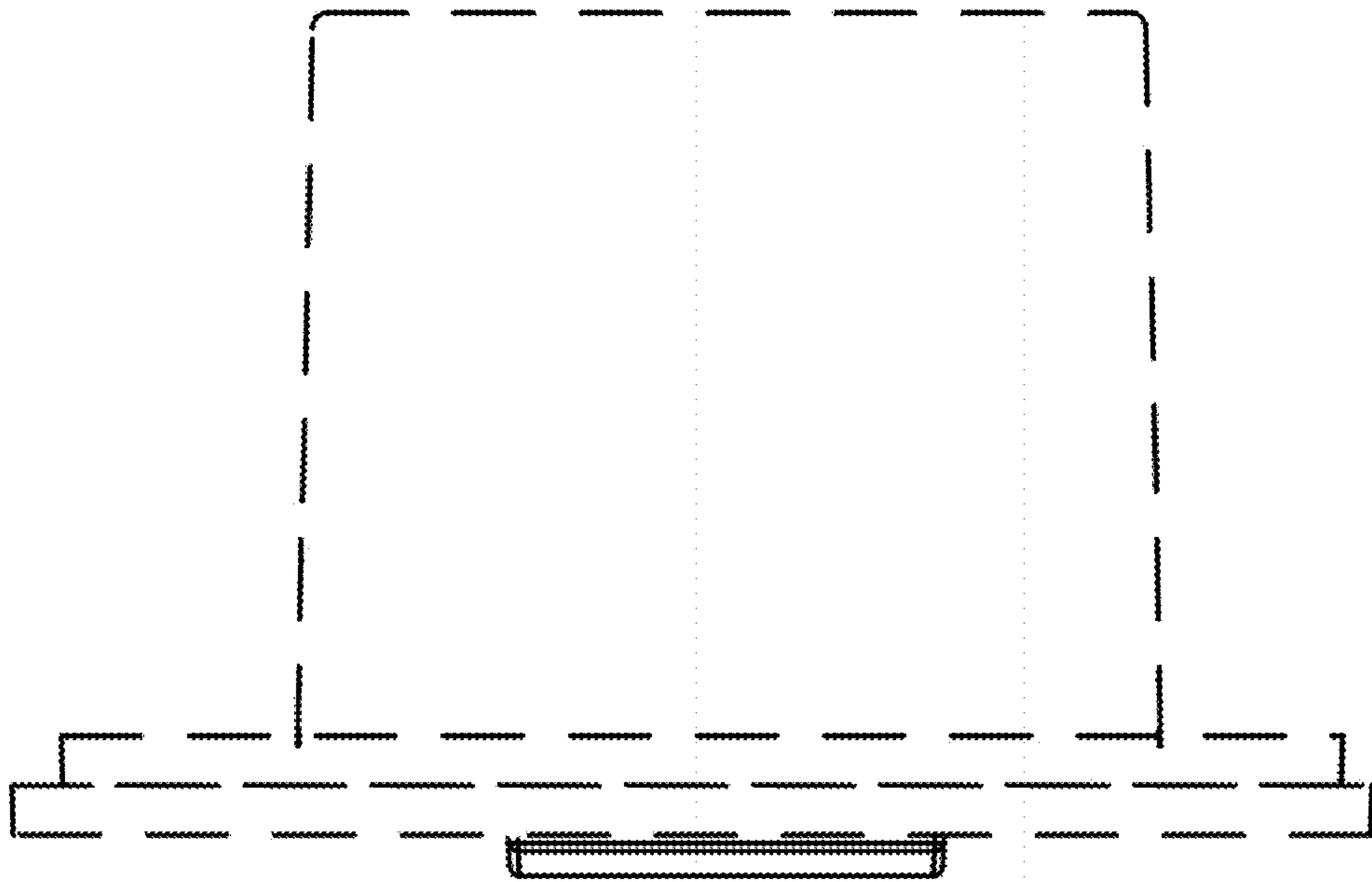


FIG. 5

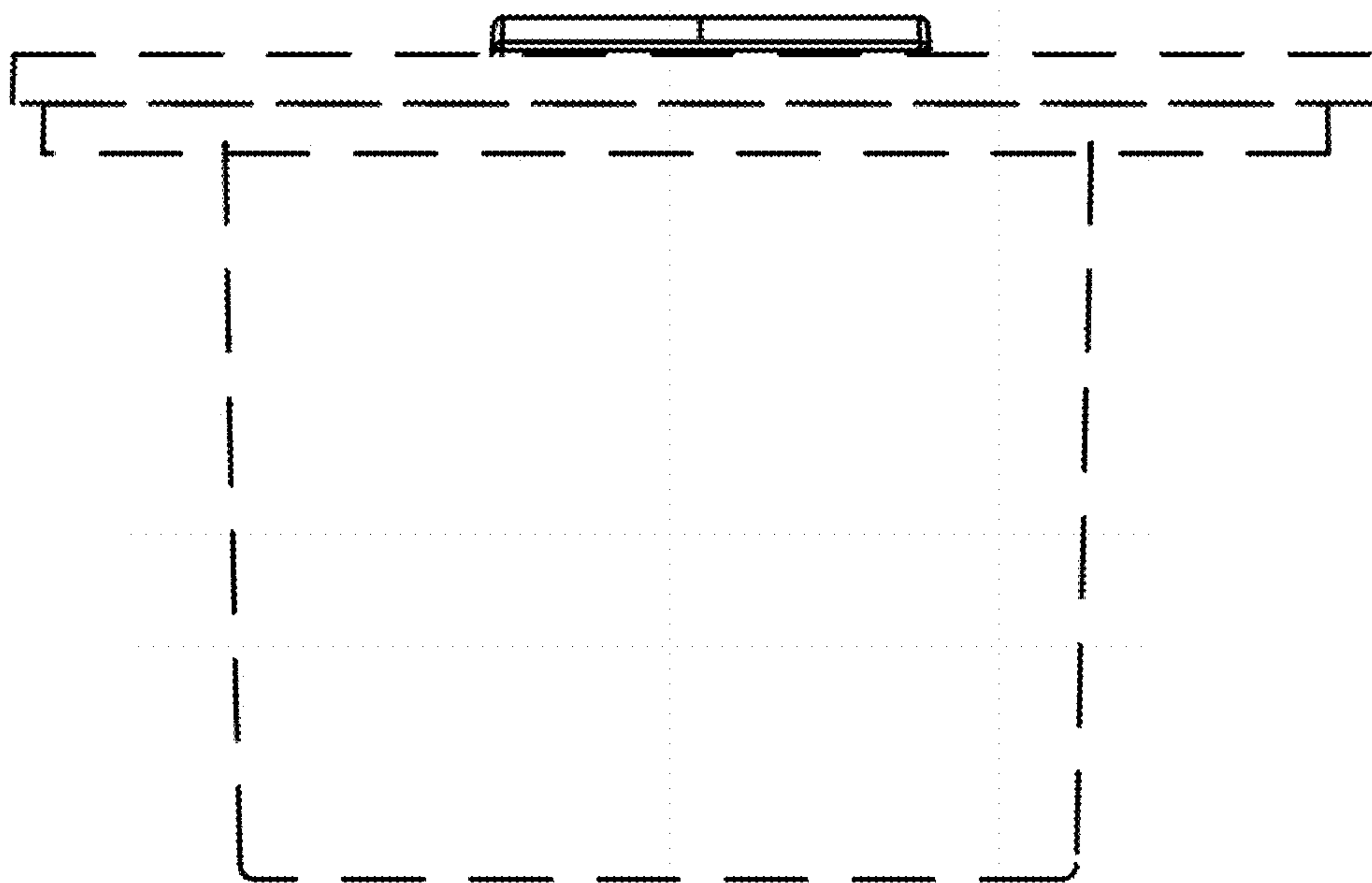


FIG. 6

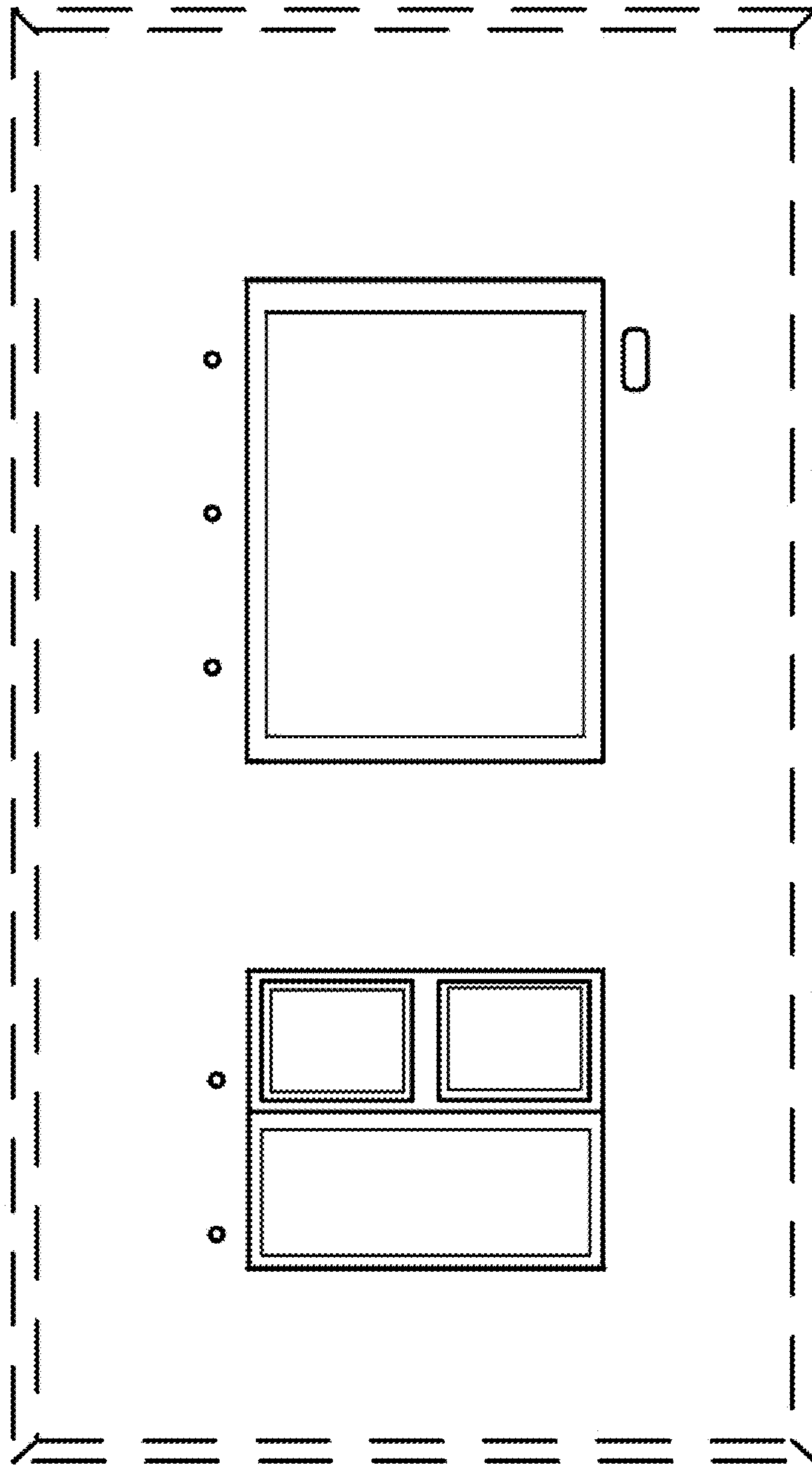


FIG. 7

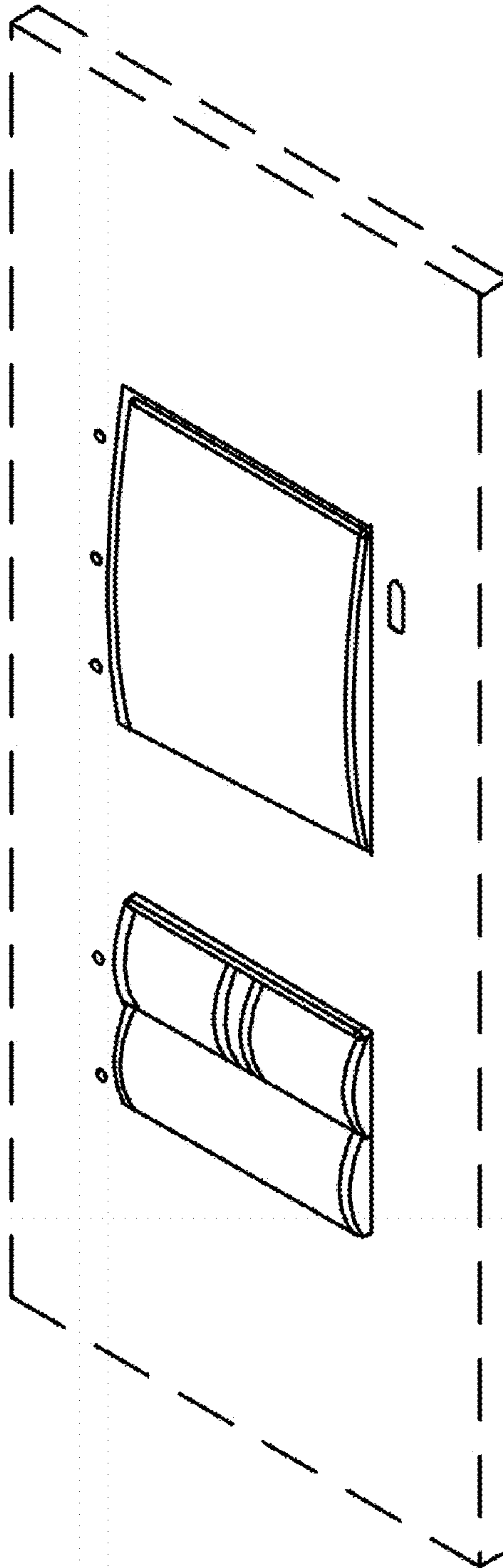


FIG. 8

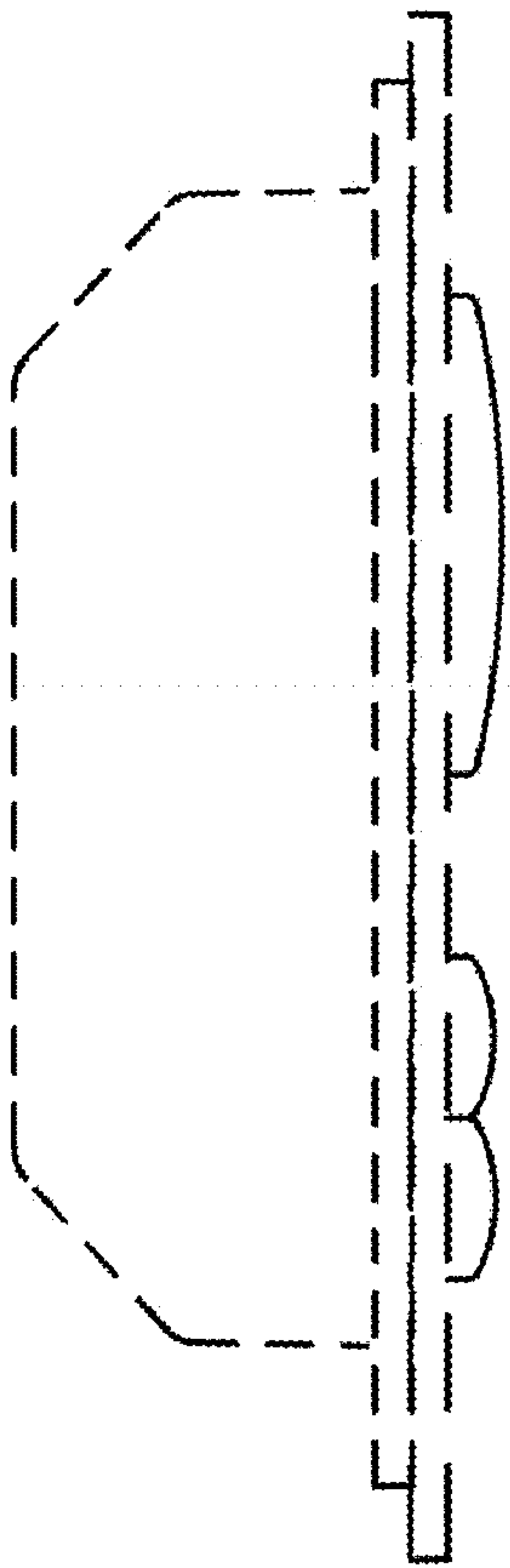


FIG. 9

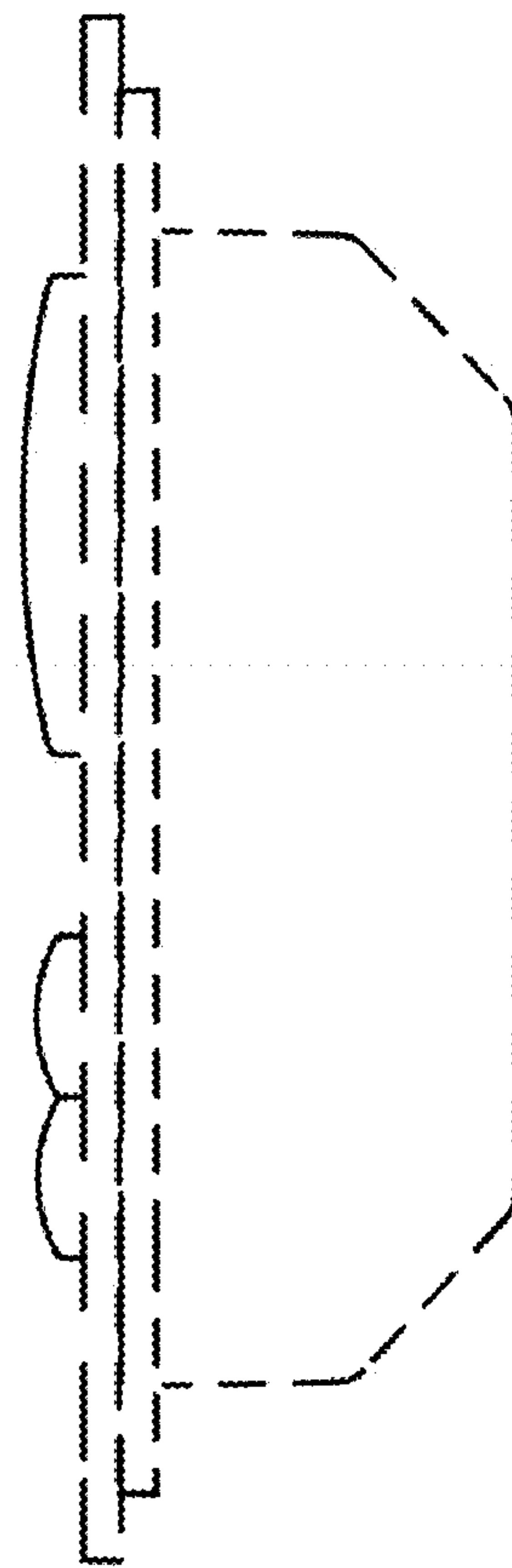


FIG. 10

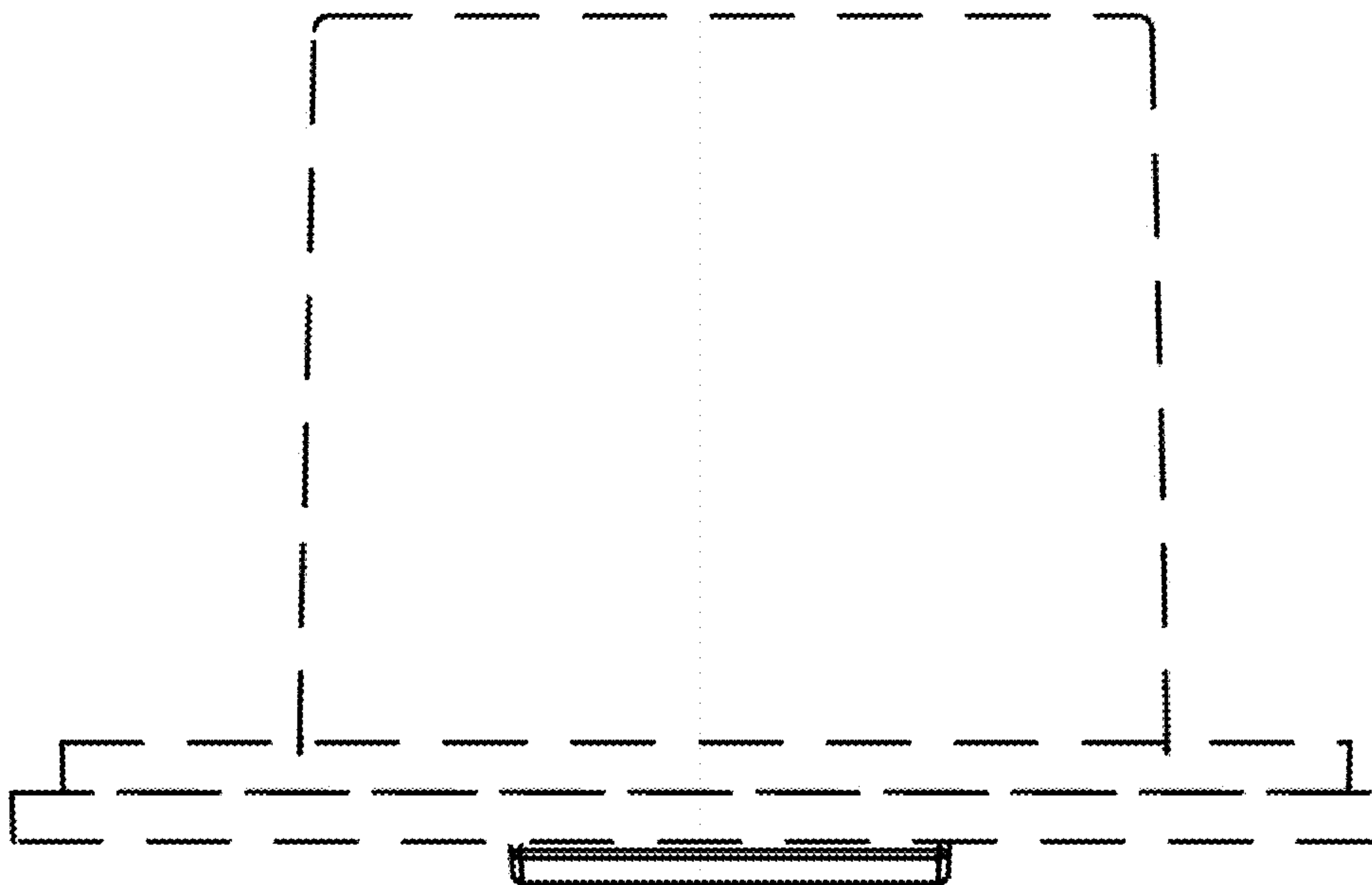


FIG. 11

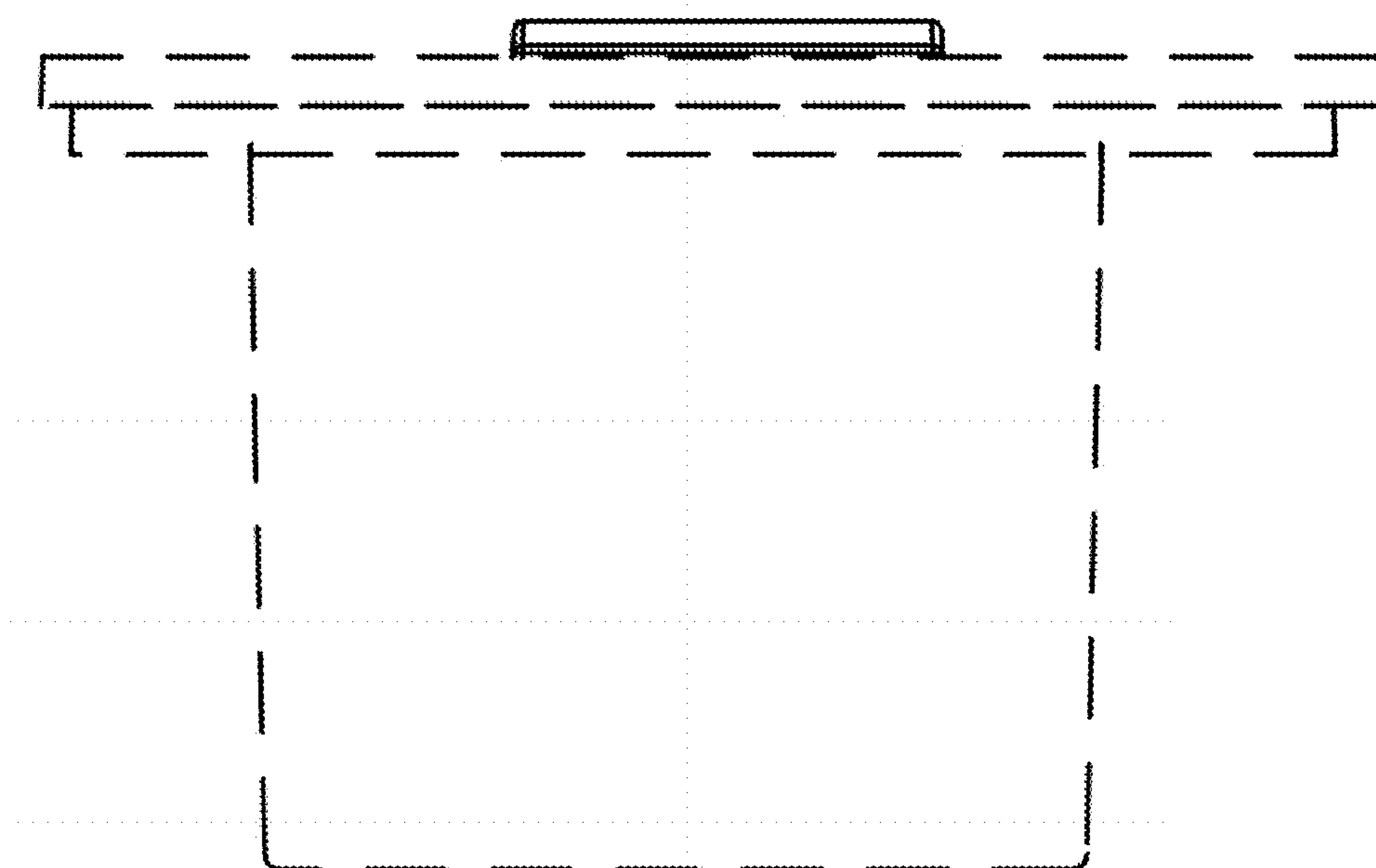


FIG. 12