



US00D678848S

(12) **United States Design Patent**
Dale et al.

(10) **Patent No.:** **US D678,848 S**
(45) **Date of Patent:** **** *Mar. 26, 2013**

(54) **CENTER CONSOLE SINGLE HAND CONTROLLER**

(75) Inventors: **Allan Dale**, Haslett, MI (US); **Roger A. Sewell**, Grand Ledge, MI (US)

(73) Assignee: **Lectronix, Inc.**, Lansing, MI (US)

(*) Notice: This patent is subject to a terminal disclaimer.

(**) Term: **14 Years**

(21) Appl. No.: **29/369,029**

(22) Filed: **Sep. 1, 2010**

(51) **LOC (9) Cl.** **14-03**

(52) **U.S. Cl.** **D13/168**

(58) **Field of Classification Search** D13/168;
D12/192; D21/324; 200/5 R; 307/10.1;
340/3.71, 4.3, 4.42, 12.22, 12.23, 12.24,
340/12.29, 12.3, 13.2, 13.21, 13.24; 341/176;
345/169; 463/36, 38, 39; 400/472; 700/17,
700/65, 83

See application file for complete search history.

(56) **References Cited**

U.S. PATENT DOCUMENTS

4,517,424	A	5/1985	Kroczyński	
D298,749	S *	11/1988	Yant	D13/168
5,223,776	A *	6/1993	Radke et al.	318/568.1
5,270,709	A	12/1993	Niklsbacher	
5,661,505	A *	8/1997	Livits	345/169
5,945,646	A	8/1999	Miller et al.	
D421,038	S *	2/2000	Hisatsune	D16/237
6,225,578	B1 *	5/2001	Kobayashi et al.	200/5 R

6,411,874	B2	6/2002	Morgan et al.	
6,448,670	B1 *	9/2002	Onodera et al.	307/10.1
6,571,902	B2	6/2003	Heyne et al.	
6,593,667	B1 *	7/2003	Onodera et al.	307/10.1
D503,928	S *	4/2005	Obata	D13/164
6,882,267	B2 *	4/2005	Nagasaka	340/3.1
D517,589	S *	3/2006	Muto et al.	D16/237
RE42,496	E *	6/2011	Golliher	340/12.22
2003/0103791	A1	6/2003	Chen	
2004/0041792	A1	3/2004	Criscione	
2006/0164392	A1	7/2006	Mao	

FOREIGN PATENT DOCUMENTS

WO 2009040643 A2 4/2009

* cited by examiner

Primary Examiner — Selina Sikder

(74) *Attorney, Agent, or Firm* — Brooks Kushman P.C.

(57) **CLAIM**

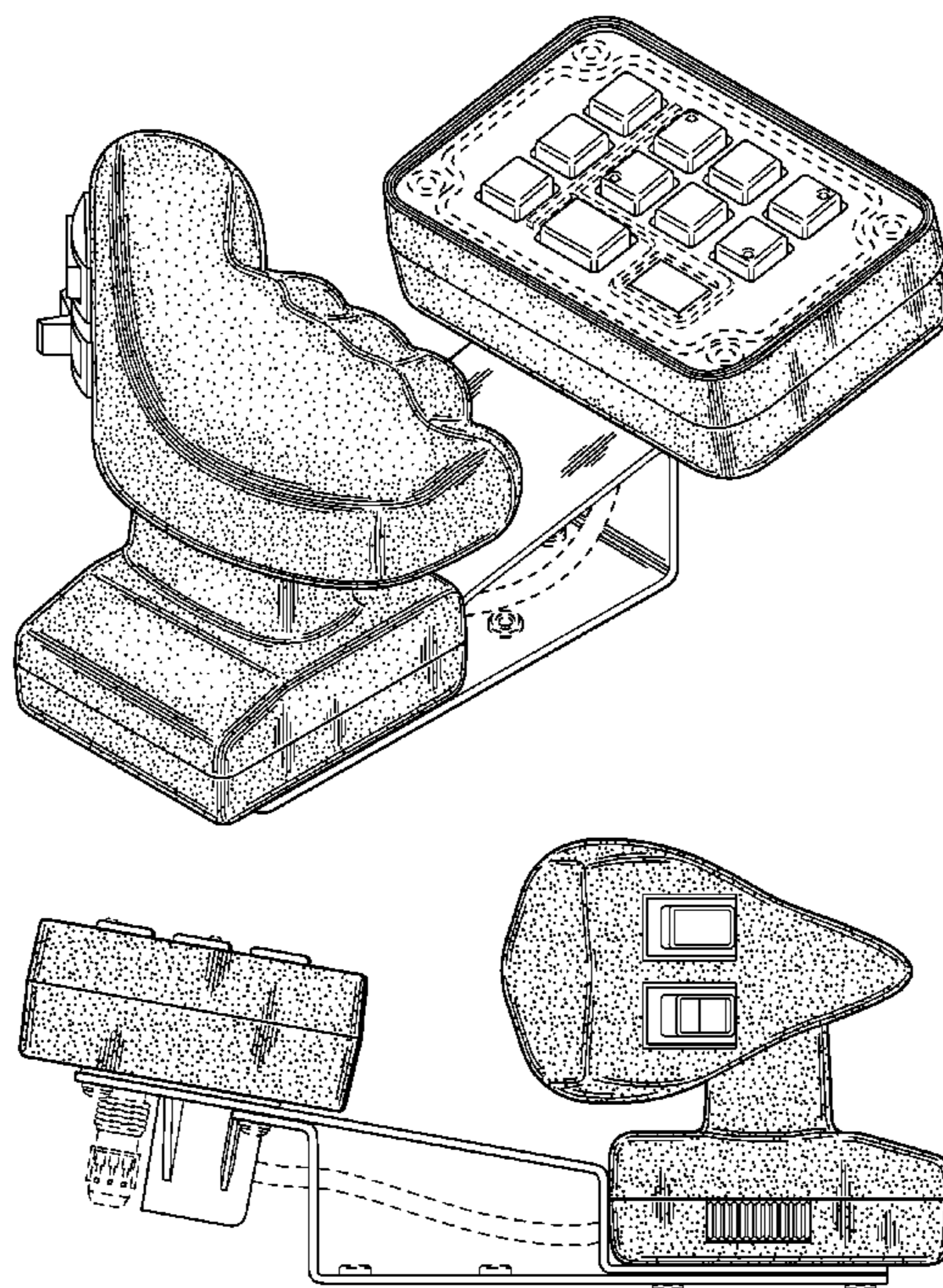
The ornamental design for a center console single hand controller, as shown and described.

DESCRIPTION

FIG. 1 is a perspective view of the controller; FIG. 2 is the left side elevational view of the controller of FIG. 1; FIG. 3 is the right side elevational view of the controller of FIG. 1; FIG. 4 is the rear elevational view of the controller of FIG. 1; FIG. 5 is the front elevational view of the controller of FIG. 1; FIG. 6 is the top plan view of the controller of FIG. 1; and, FIG. 7 is the bottom view of the controller of FIG. 1.

The broken lines are for illustrative purposes only and form no part of the claimed design.

1 Claim, 4 Drawing Sheets



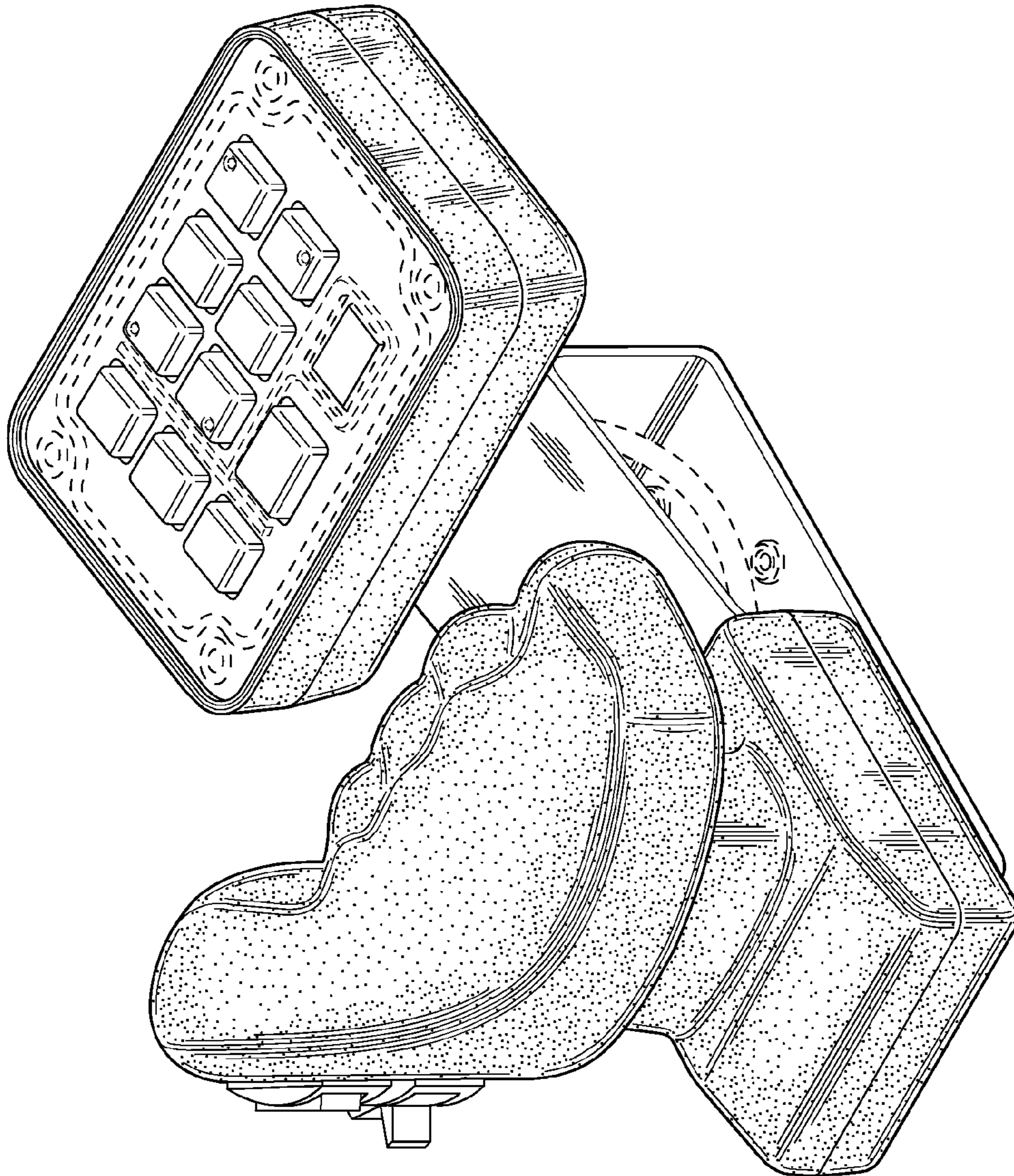


FIG. 1

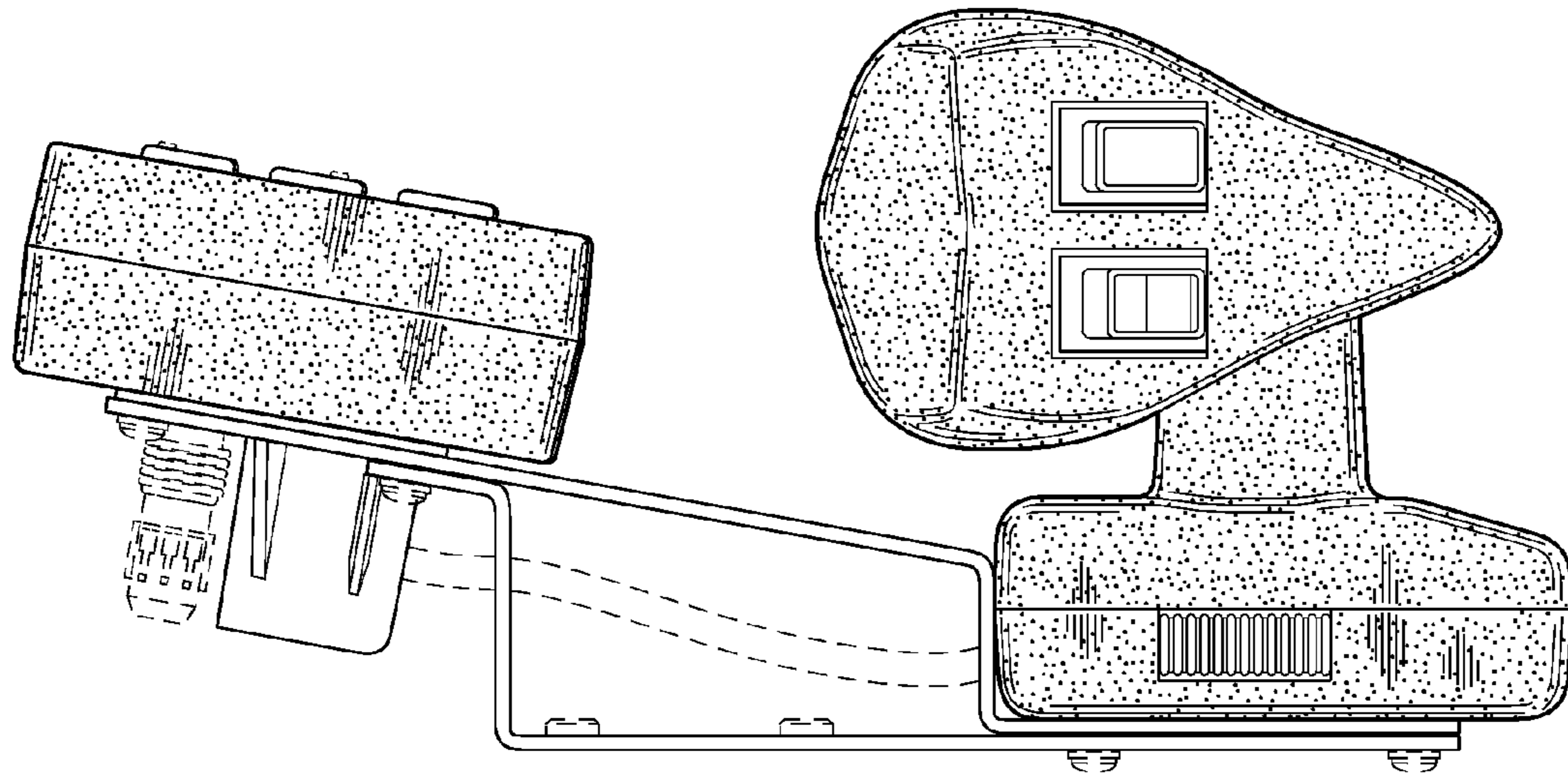


FIG. 2

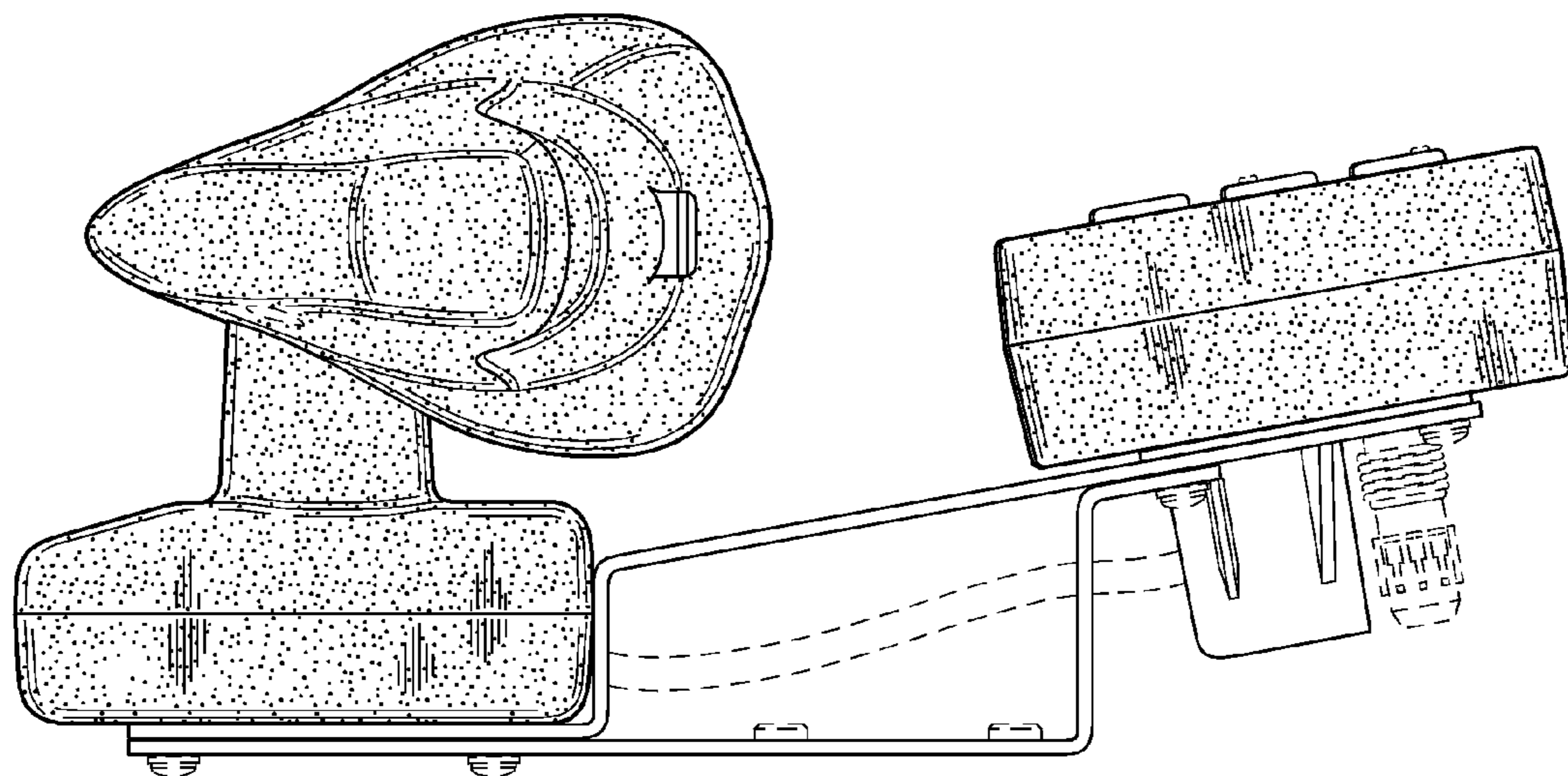


FIG. 3

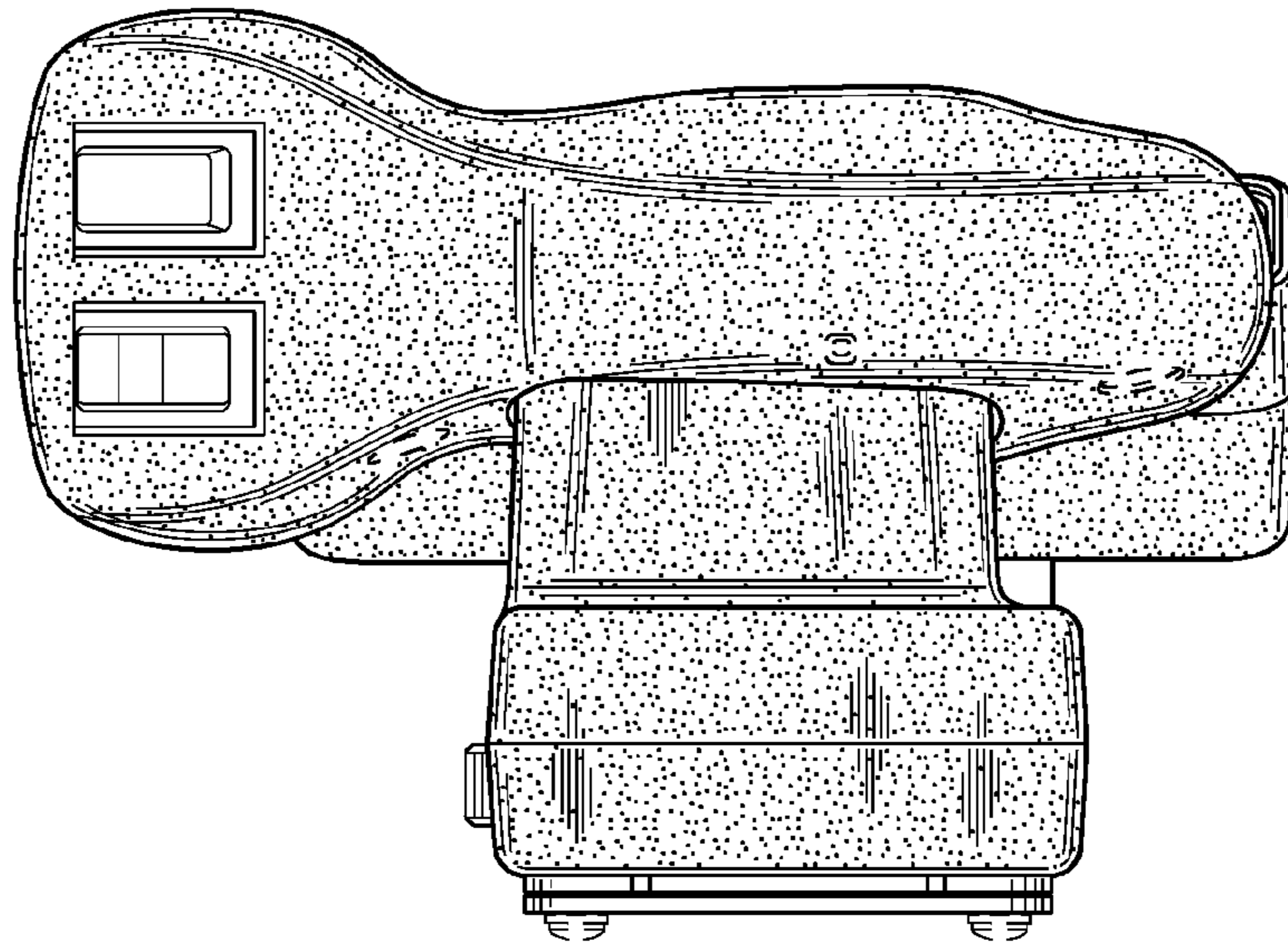


FIG. 4

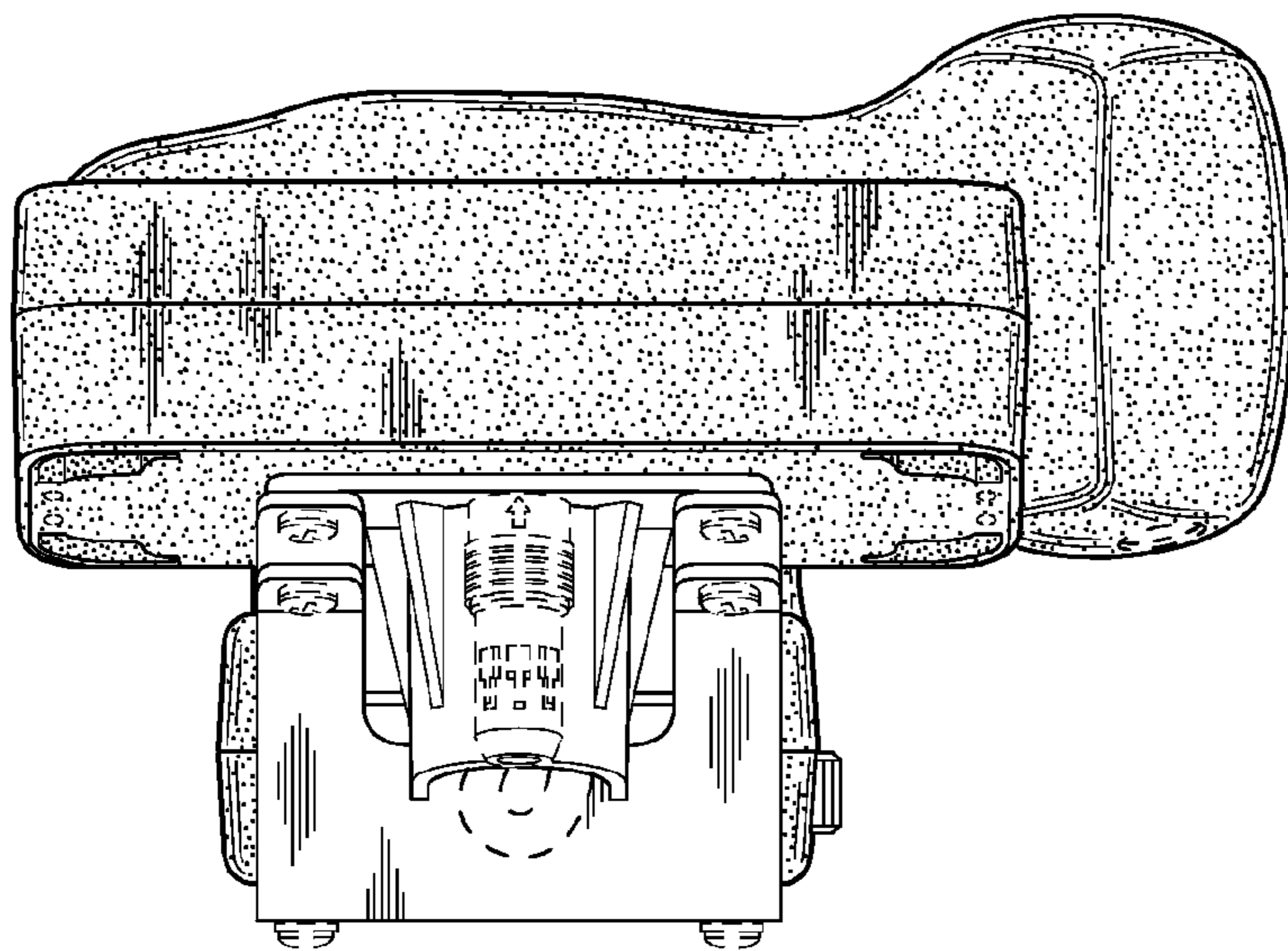


FIG. 5

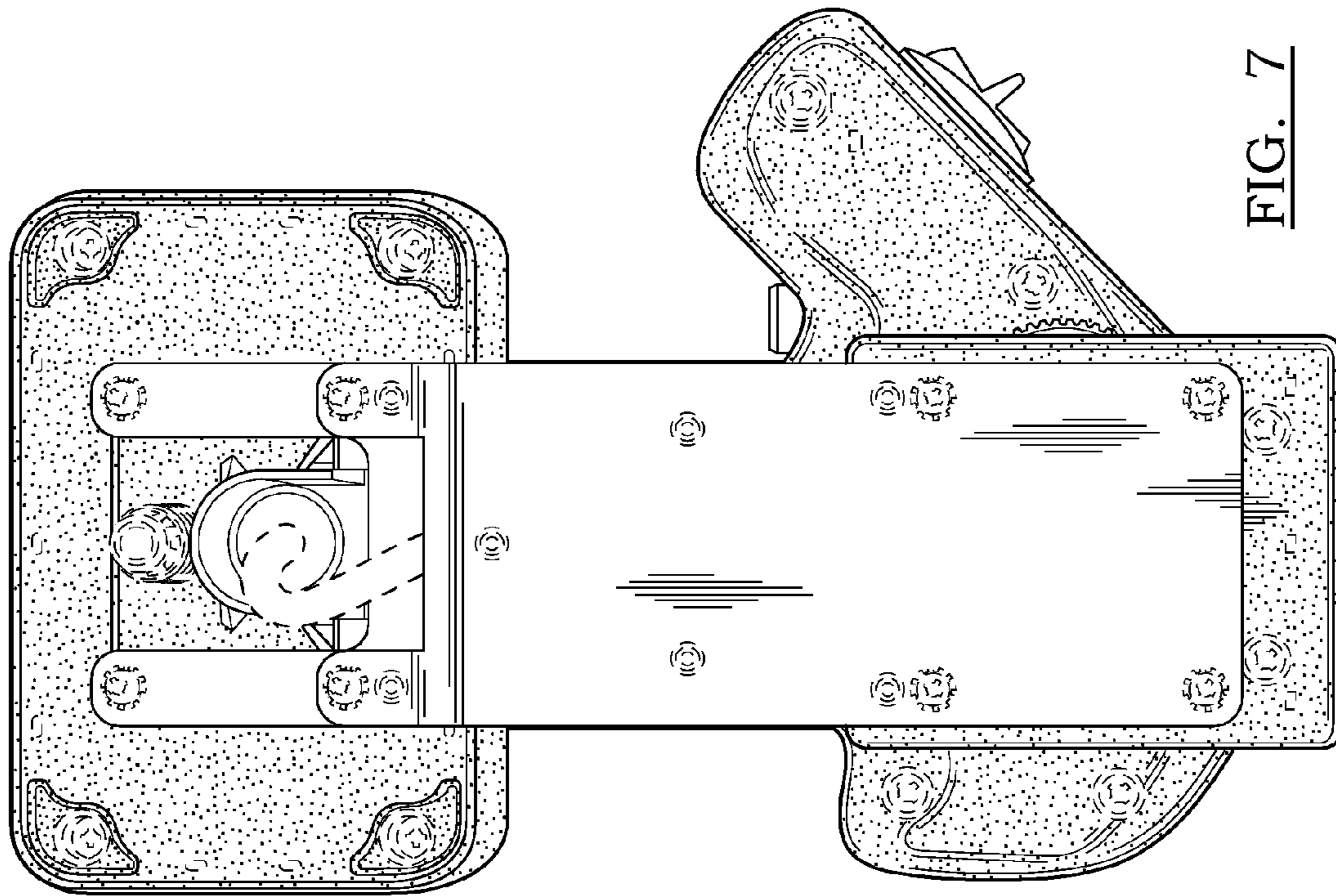


FIG. 7

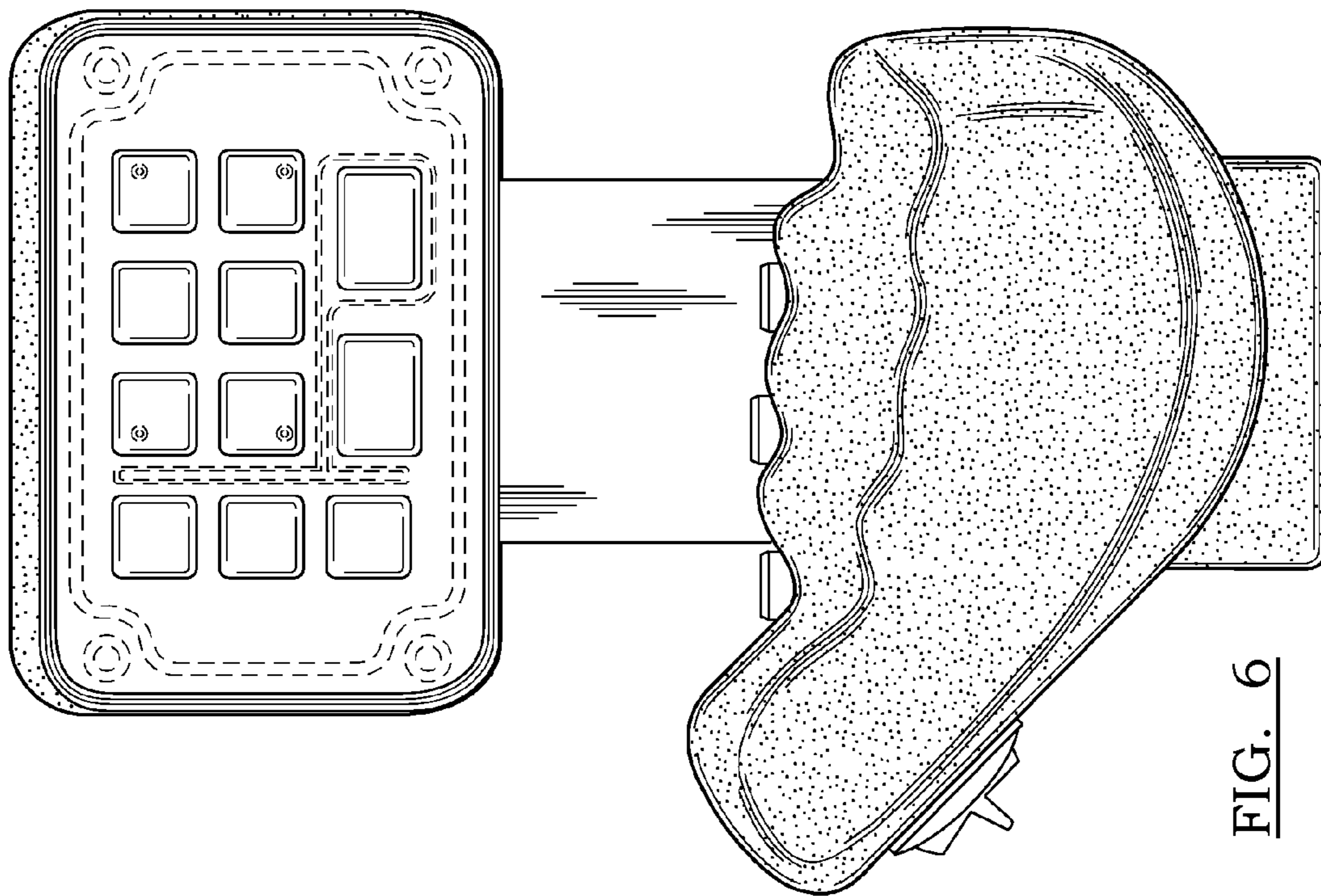


FIG. 6