



US00D678847S

(12) **United States Design Patent**
Helm

(10) **Patent No.:** **US D678,847 S**
(45) **Date of Patent:** **** Mar. 26, 2013**

(54) **SWITCH**

(75) Inventor: **Thorsten Helm**, Sassenberg (DE)

(73) Assignee: **DewertOkin GmbH**, Kirchlingern (DE)

(**) Term: **14 Years**

(21) Appl. No.: **29/407,148**

(22) Filed: **Nov. 23, 2011**

(30) **Foreign Application Priority Data**

May 24, 2011 (EM) 001868019-0001
(51) **LOC (9) Cl.** **13-03**
(52) **U.S. Cl.** **D13/162**
(58) **Field of Classification Search** D13/162,
D13/164, 168, 171; D23/354; 307/139;
361/679.01, 679.11, 679.22; 200/5 R, 5 A,
200/61.7, 520, 530, 293, 296, 329, 331
See application file for complete search history.

(56) **References Cited**

U.S. PATENT DOCUMENTS

4,343,973	A *	8/1982	Main	200/516
D319,628	S *	9/1991	Whitley, II	D13/171
D402,966	S *	12/1998	Lim	D13/168
6,037,723	A *	3/2000	Shafer et al.	318/6
D460,950	S *	7/2002	Miller et al.	D13/168
D481,687	S *	11/2003	Moriya et al.	D13/171
D502,474	S *	3/2005	Raarup	D15/143
D524,254	S *	7/2006	van Himbeeck	D13/168
D551,175	S *	9/2007	Olson	D13/162
D582,395	S *	12/2008	Ikeda et al.	D14/218
7,538,284	B2 *	5/2009	Nielsen et al.	200/296
D599,745	S *	9/2009	Yang	D13/164
D603,350	S *	11/2009	Melzner et al.	D13/164
D617,744	S *	6/2010	Landerholm et al.	D13/168
8,058,572	B2 *	11/2011	Bastholm et al.	200/5 A

OTHER PUBLICATIONS

LogicData, "HSF-MDF-4M4-LD", <http://www.logicdata.at/HSF-MDF-4M4-LD.26.0.html>, printed on Feb. 3, 2012.
LogicData, "HSE-MDF-2-LD", <http://www.logicdata.at/HSE-MDF-2-LD.27.0.html>, printed on Feb. 3, 2012.
LogicData, "HSU-MDF-4M2-LD", <http://www.logicdata.at/HSU-MDF-4M2-LD.29.0.html>, printed on Feb. 22, 2012.
LogicData, "Datasheet Cable Handswitch for installation below the desktop HSF Rev 2", 2011, pp. 1-4.

LogicData, "Datasheet Cable Handswitch for installation below the desktop HSU Rev 3", 2011, pp. 1-5.
LogicData, "Datasheet Cable Handswitch for installation in the desktop HSE Rev 4", 2011, pp. 1-4.
LogicData, "User Manual Cable Handswitch for installation below the desktop HSF Rev 2", 2011, pp. 1-12.
LogicData, "User Manual Cable Handswitch for installation in the desktop HSE Rev 3", 2011, pp. 1-10.
LogicData, "User Manual Cable Handswitch for installation below the desktop HSU Rev 3", 2011, pp. 1-11.
Linak, "Desk Panel DP1C", <http://www.linak.com/products/Controls.aspx?product=DP1C>, , printed on Feb. 22, 2012.
Linak, "Desk Panel DPF1C with Display", <http://www.linak.com/products/Controls.aspx?product=DPF1C>, printed on Feb. 22, 2012.
Linak, Product Data Sheet Desk Panel with Display (DP1C), Aug. 2011, pp. 1-2.
Linak, "Product Data Sheet Desk Panel DPF with Display", Oct. 2011, pp. 1-4.
LogicData, "HSU-MDF-2-LD", <http://www.logicdata.at/HSU-MDF-2-LD.24.0.html>, printed on Feb. 22, 2012.

Primary Examiner — Selina Sikder

(74) *Attorney, Agent, or Firm* — Cahn & Samuels, LLP

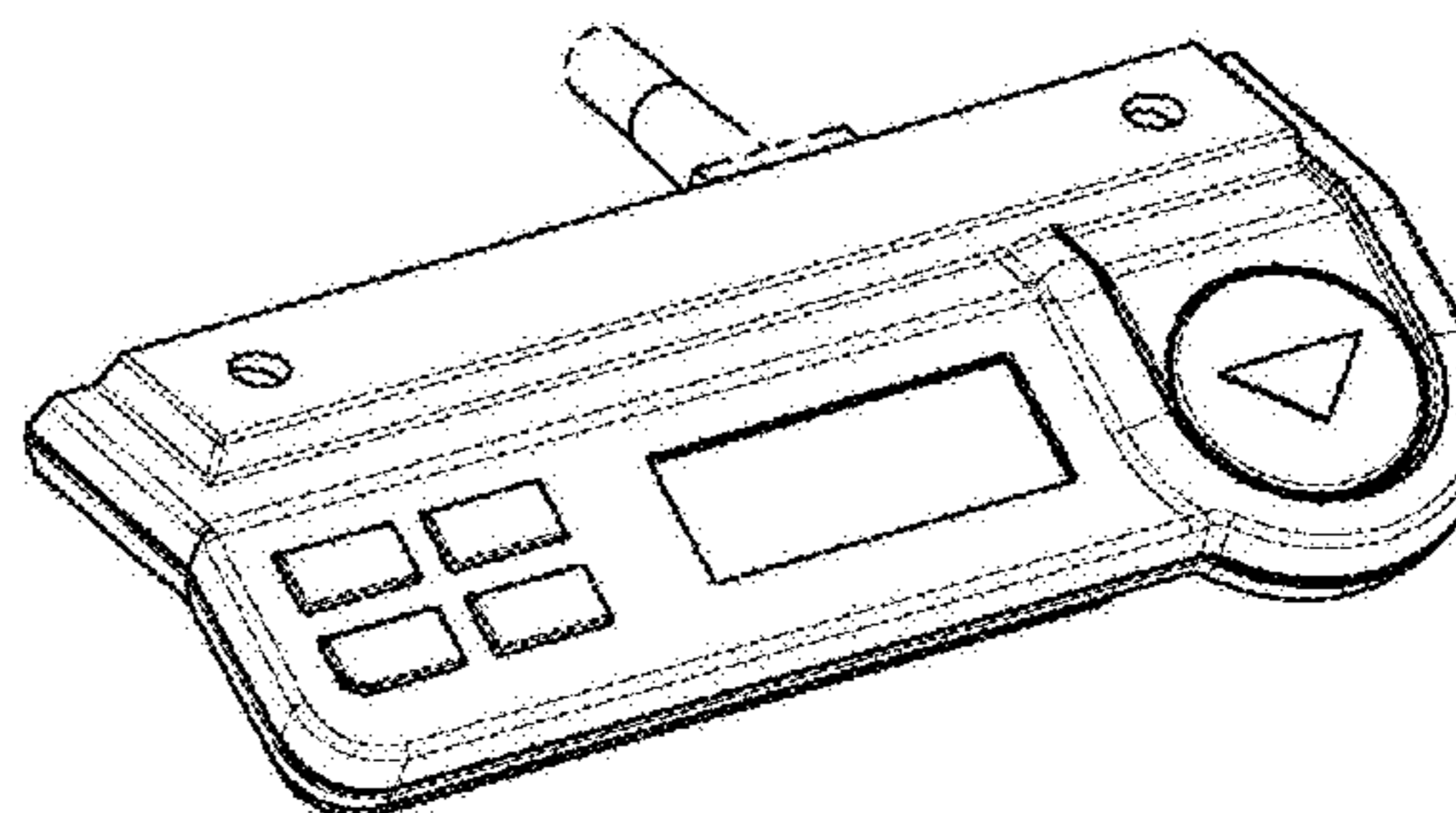
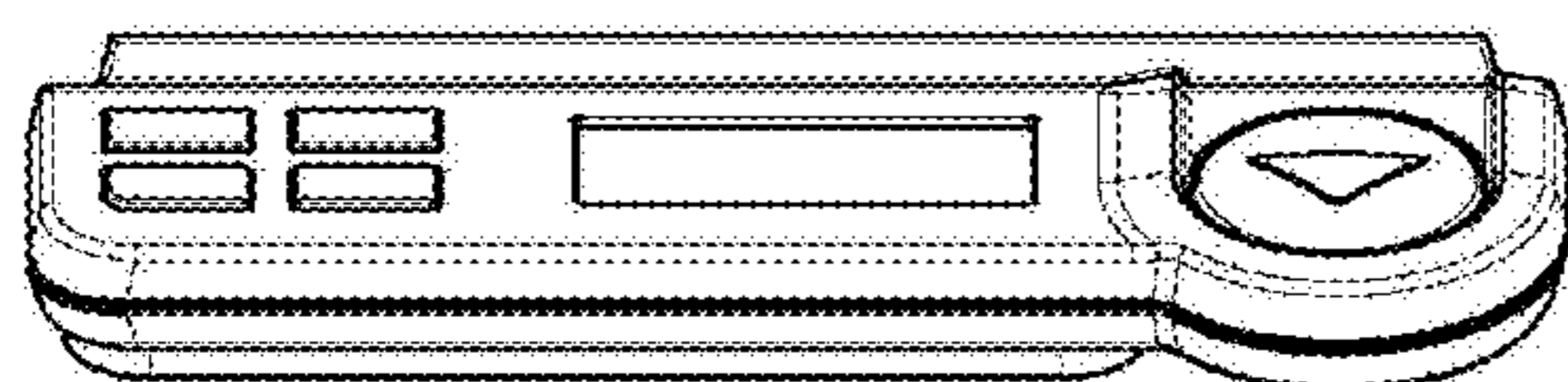
(57) **CLAIM**

The ornamental design for a switch, as shown and described.

DESCRIPTION

FIG. 1 illustrates a front view of a switch according to the invention.
FIG. 2 illustrates a rear view of the switch illustrated in FIG. 1.
FIG. 3 illustrates a left side view of the switch illustrated in FIG. 1.
FIG. 4 illustrates a right side view of the switch illustrated in FIG. 1.
FIG. 5 illustrates a top view of the switch illustrated in FIG. 1
FIG. 6 illustrates a bottom view of the switch illustrated in FIG. 1; and,
FIG. 7 illustrates a perspective view of the switch illustrated in FIG. 1.
The broken line cable in the figures is environmental structure and is not part of the design sought to be claimed.

1 Claim, 3 Drawing Sheets



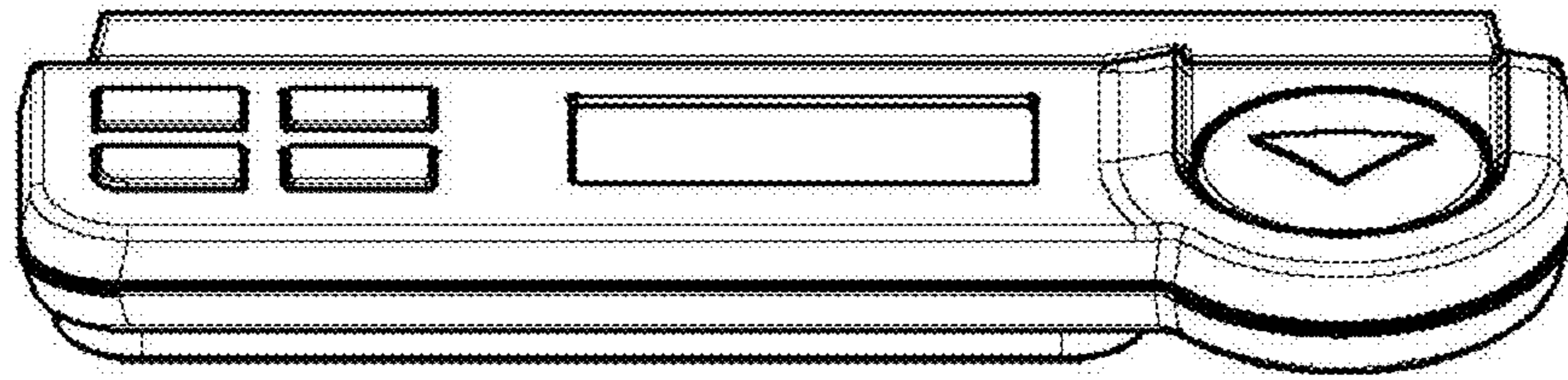


FIG. 1

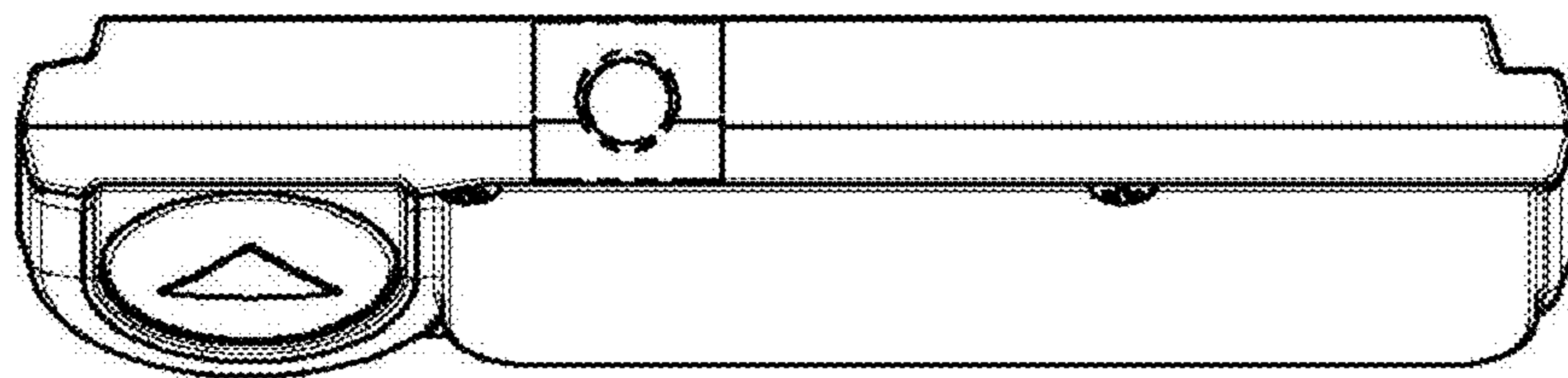


FIG. 2

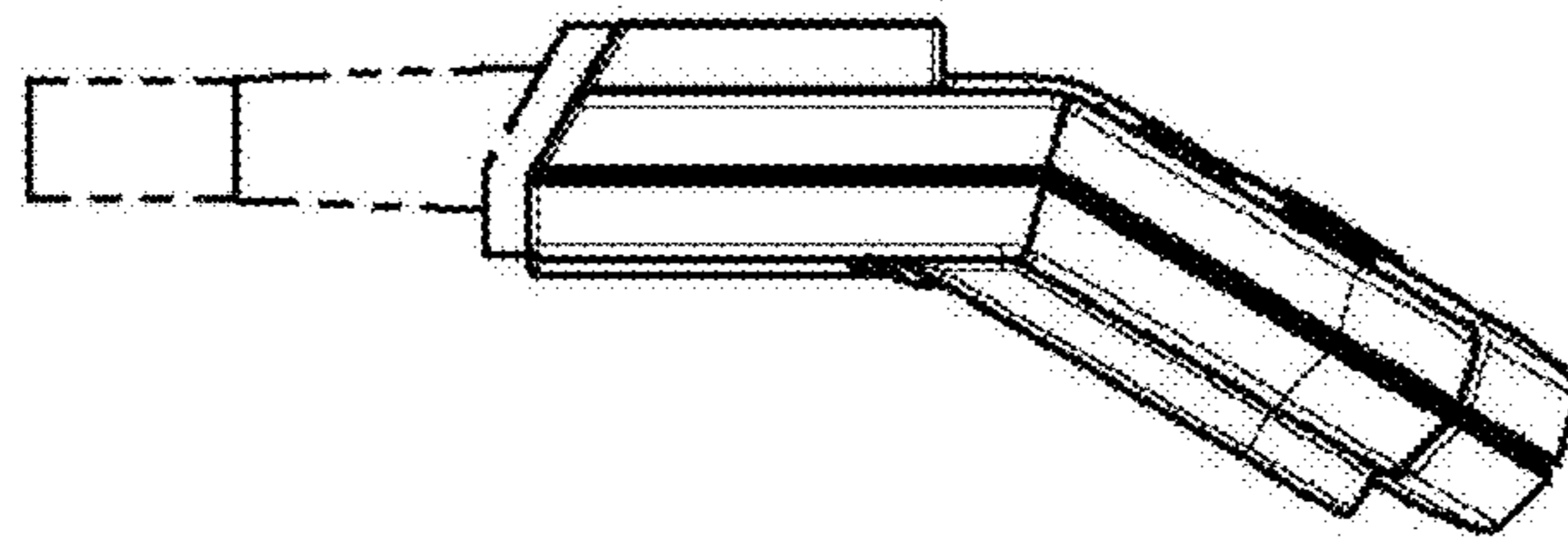


FIG. 3

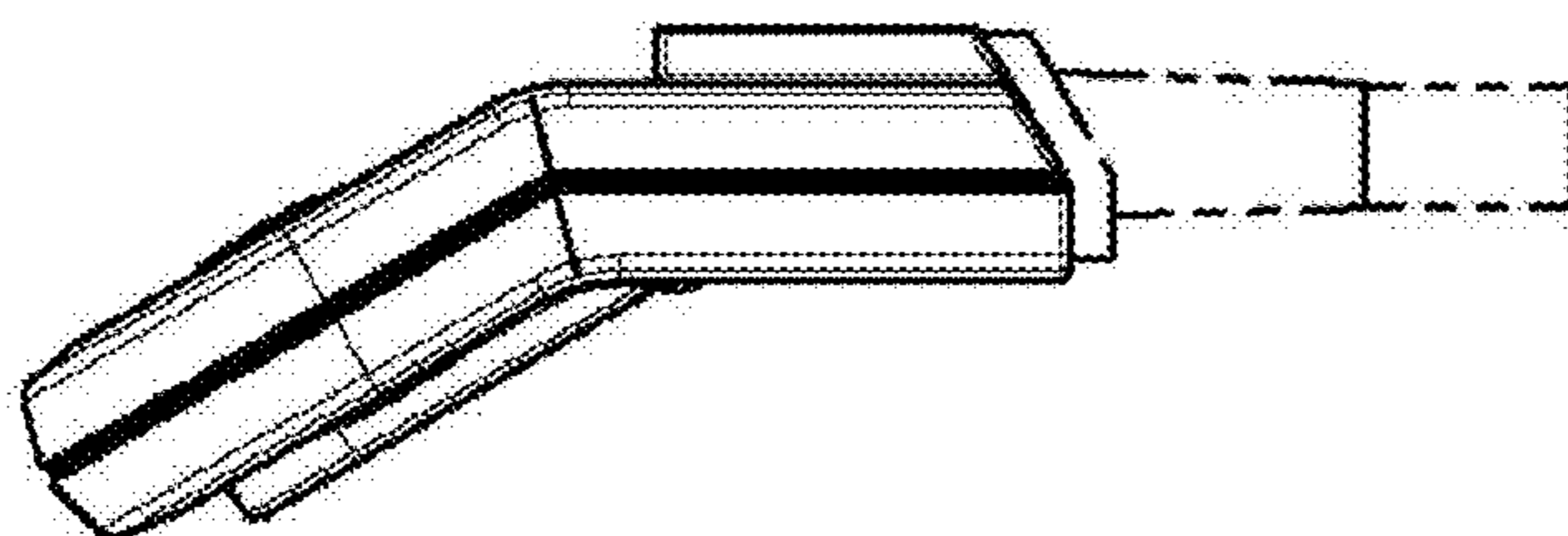


FIG. 4

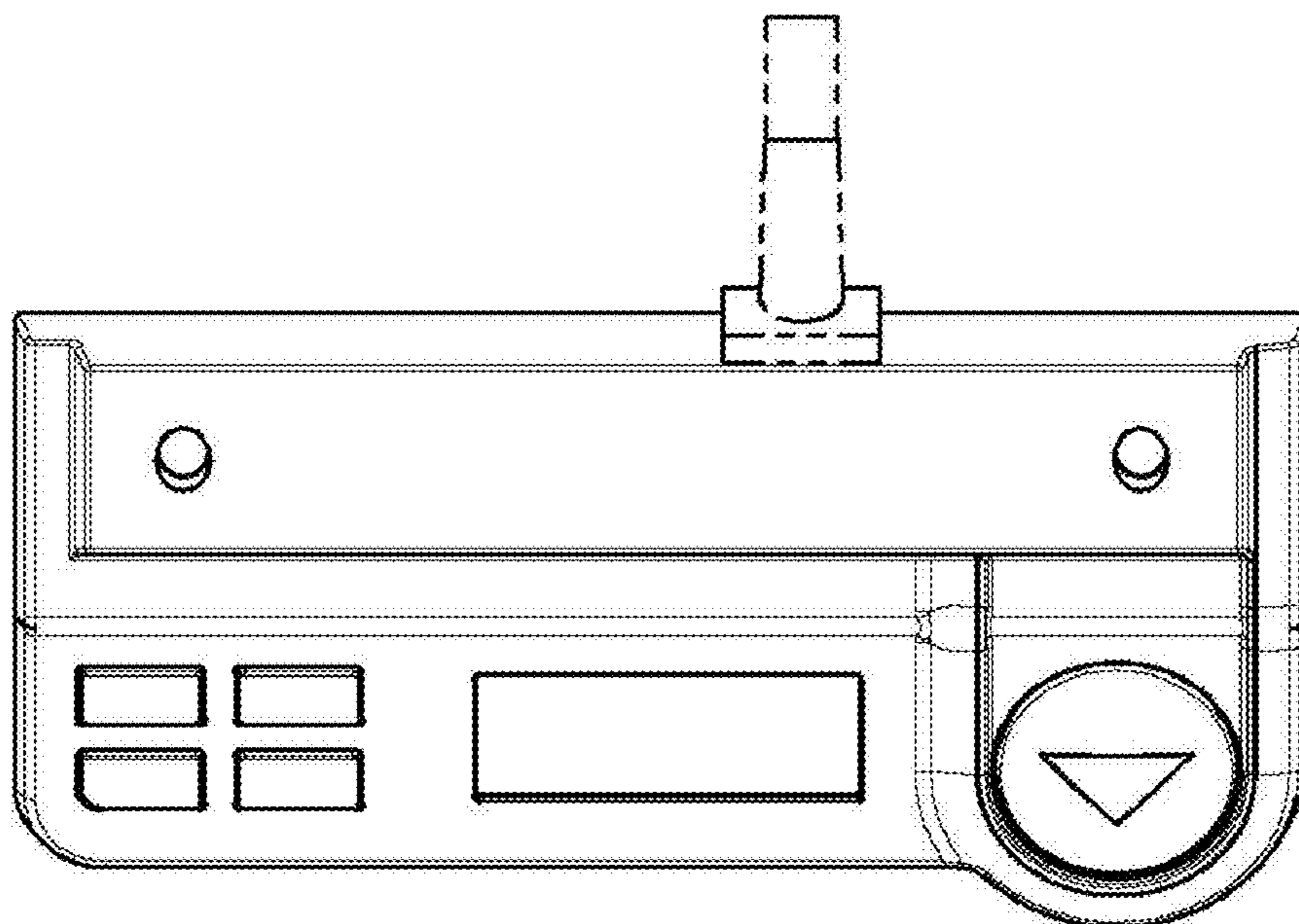


FIG. 5

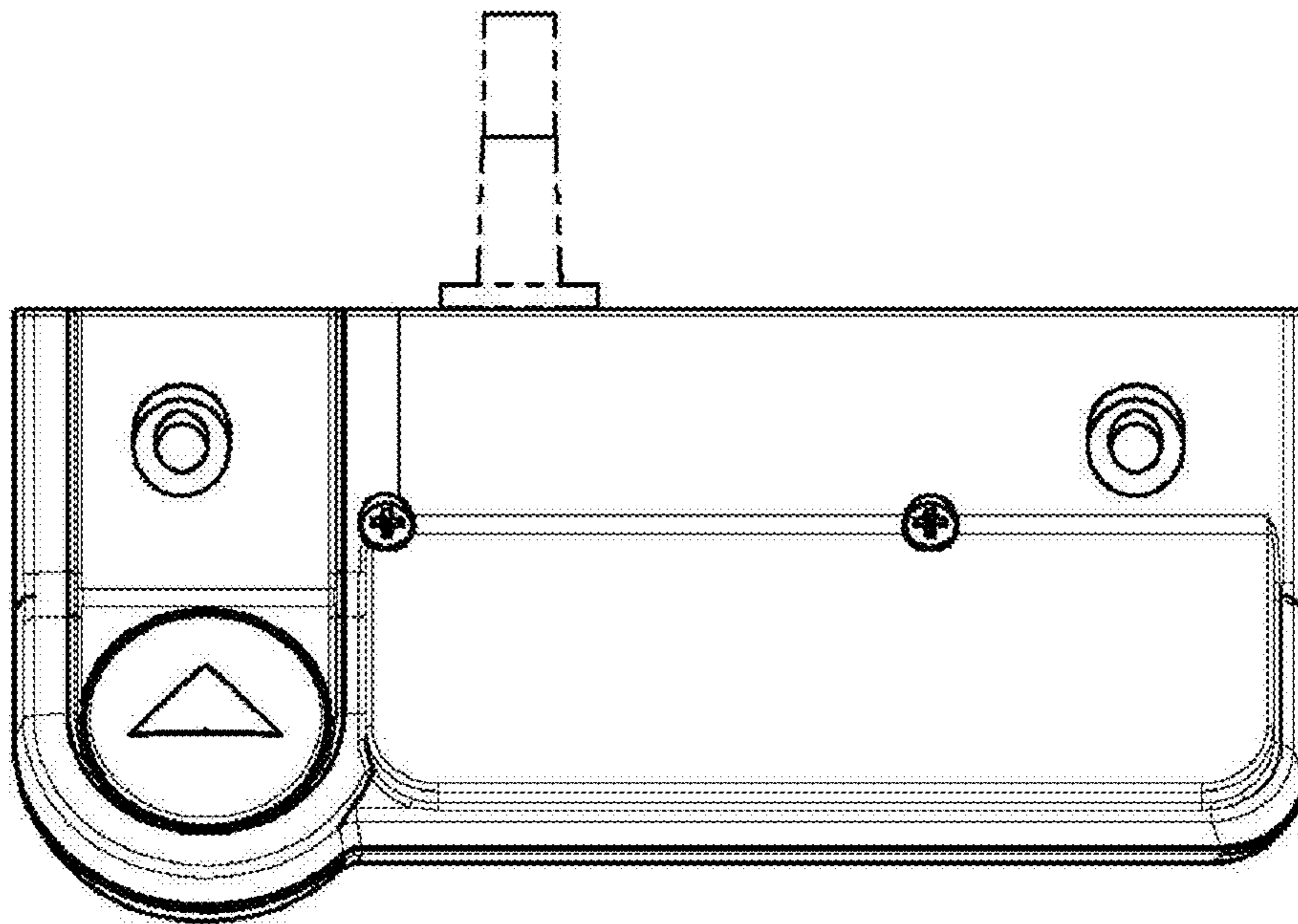


FIG. 6

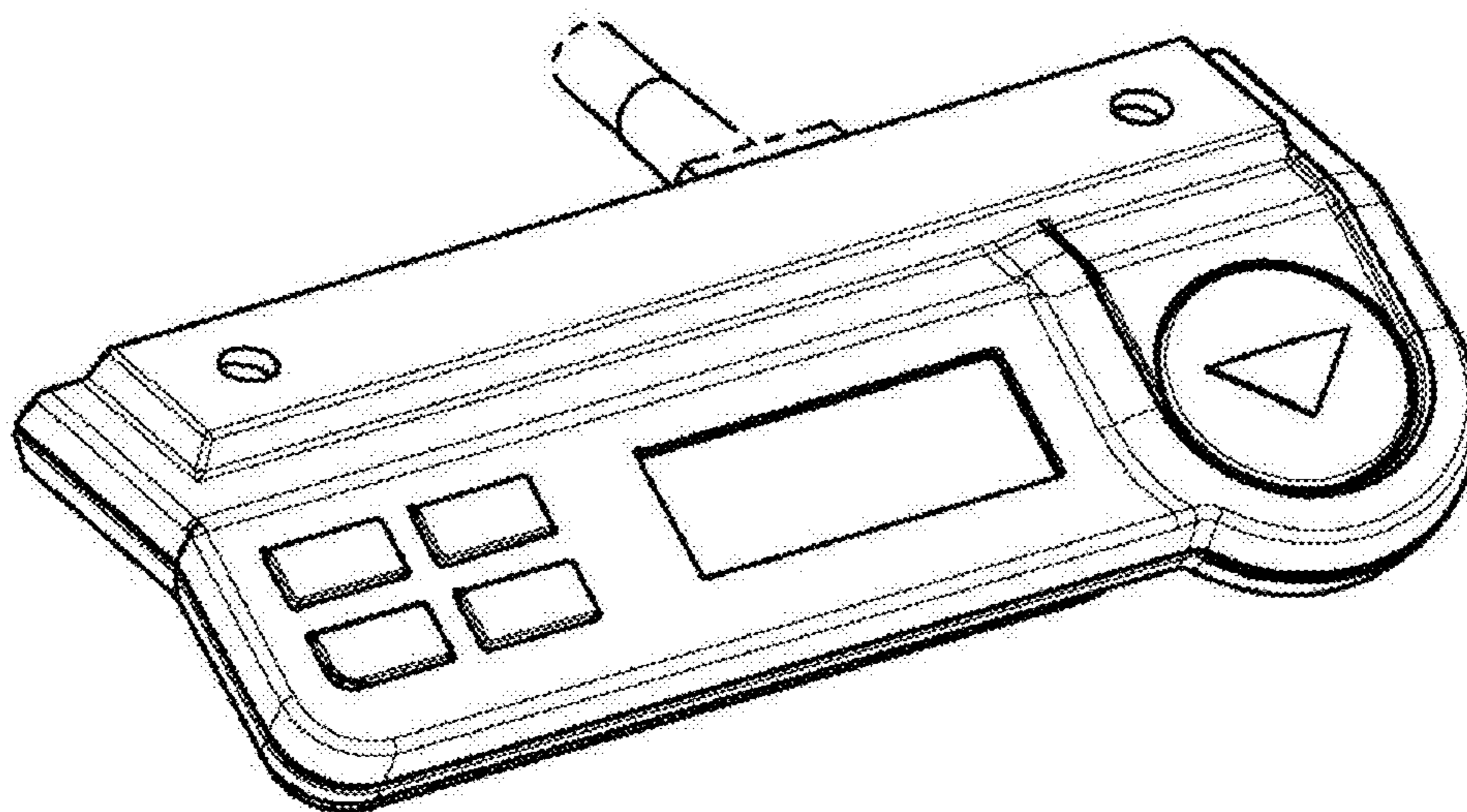


FIG. 7