



US00D678846S

(12) **United States Design Patent**
Luzzi

(10) **Patent No.:** **US D678,846 S**
(45) **Date of Patent:** **** Mar. 26, 2013**

- (54) **SPLICE RESTRAINT**
- (75) Inventor: **Glenn J. Luzzi**, Mt. Bethel, PA (US)
- (73) Assignee: **Richards Manufacturing Company**,
Irvington, NJ (US)
- (**) Term: **14 Years**
- (21) Appl. No.: **29/400,380**
- (22) Filed: **Aug. 26, 2011**

5,873,608	A	2/1999	Tharp et al.	
6,062,917	A	5/2000	Kingston	
6,065,782	A	5/2000	Allen, Jr.	
6,139,068	A *	10/2000	Burress et al.	285/92
D444,452	S *	7/2001	Smith	D13/154
6,364,721	B2	4/2002	Stewart, III	
D473,524	S *	4/2003	Koehler	D13/156
D508,232	S *	8/2005	Suckle et al.	D13/156
7,278,889	B2	10/2007	Muench et al.	
7,384,287	B2	6/2008	Hughes et al.	
7,413,455	B2	8/2008	Hughes et al.	
D586,757	S *	2/2009	Minnick	D13/156
D638,285	S *	5/2011	Lundborg	D8/394
2003/0157826	A1	8/2003	Moreno et al.	

Related U.S. Application Data

- (63) Continuation of application No. 12/568,158, filed on Sep. 28, 2009, now Pat. No. 8,070,509.
 - (51) **LOC (9) Cl.** **13-03**
 - (52) **U.S. Cl.** **D13/156**
 - (58) **Field of Classification Search** D13/156,
D13/133, 149, 153, 154, 157, 199; D8/349,
D8/394, 396; 138/157, 162; 174/21 R, 72 R,
174/76, 84 R, 88 R, 93; 439/296, 367, 368,
439/369, 489, 798
- See application file for complete search history.

OTHER PUBLICATIONS

Cooper Power Systems (Waukesha, WI), "200 A 15 kV Class Insulated Protective Cap" product description, Electrical Apparatus 500-21, published Apr. 1996.

* cited by examiner

Primary Examiner — Derrick Holland
(74) *Attorney, Agent, or Firm* — Stroock & Stroock & Lavan LLP

(56) **References Cited**

U.S. PATENT DOCUMENTS

D180,354	S *	5/1957	Benson	D13/156
3,295,548	A	1/1967	Woods	
3,516,300	A	6/1970	Mickinhaupt	
3,609,646	A	9/1971	Becker et al.	
3,881,753	A	5/1975	Bochory	
D278,230	S *	4/1985	Kominiak et al.	D13/133
4,641,646	A	2/1987	Schultz et al.	
4,799,895	A	1/1989	Borgstrom	
4,891,016	A	1/1990	Luzzi et al.	
D351,588	S *	10/1994	McCain	D13/154
5,427,538	A	6/1995	Knapp et al.	
D378,659	S *	4/1997	Blennov	D8/396
5,683,273	A	11/1997	Garver et al.	
5,857,862	A	1/1999	Muench et al.	

(57) **CLAIM**
The ornamental design for a splice restraint, as shown and described.

DESCRIPTION

FIG. 1 is a perspective view of a splice restraint showing my new design;
FIG. 2 is a left side view of the splice restraint of FIG. 1;
FIG. 3 is a bottom view of the splice restraint of FIG. 1;
FIG. 4 is a back view of the splice restraint of FIG. 1;
FIG. 5 is a front view of the splice restraint of FIG. 1; and,
FIG. 6 is a top view of the splice restraint of FIG. 1.
The broken lines shown represent unclaimed subject matter and form no part of the claimed design.

1 Claim, 3 Drawing Sheets

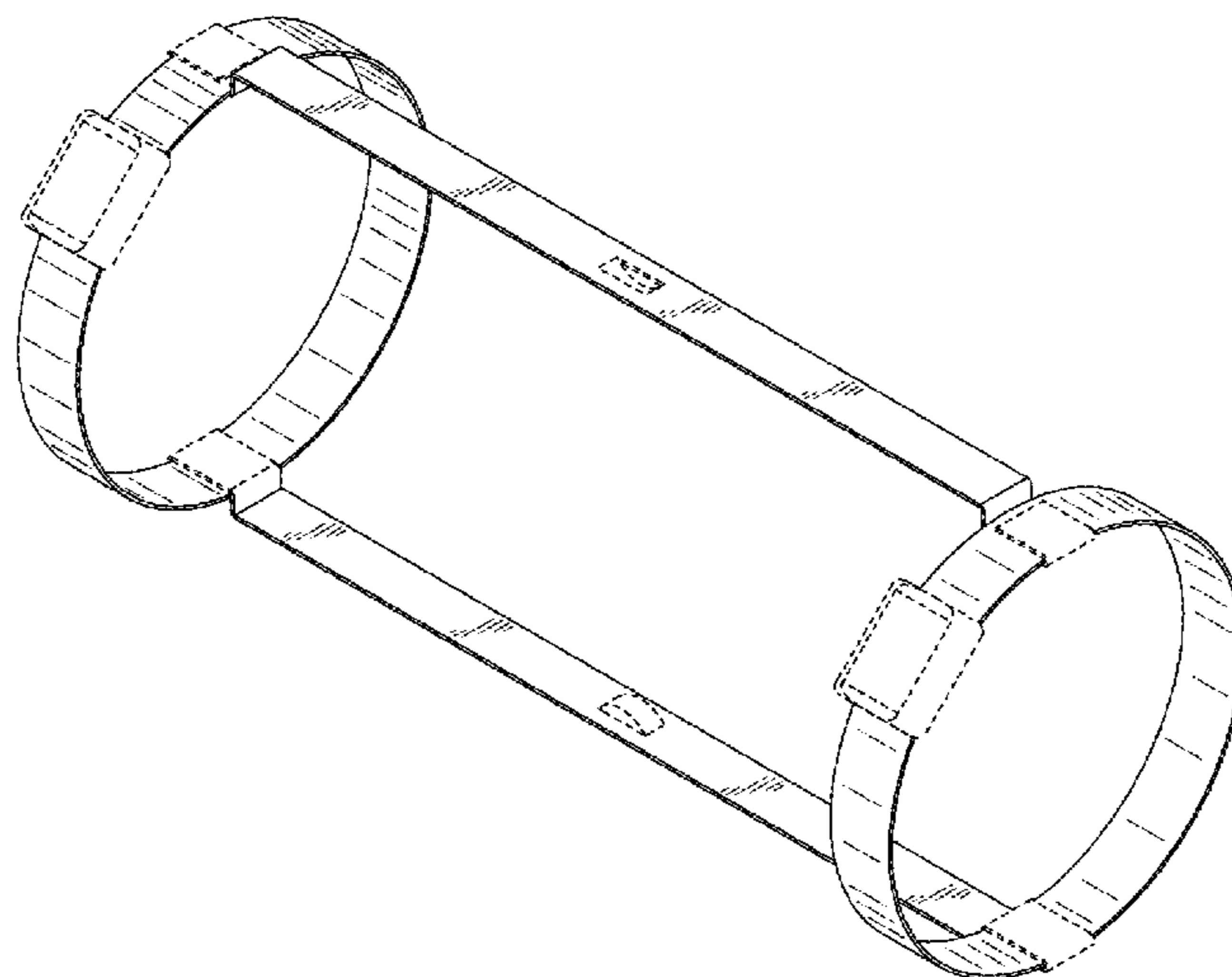


Figure 1

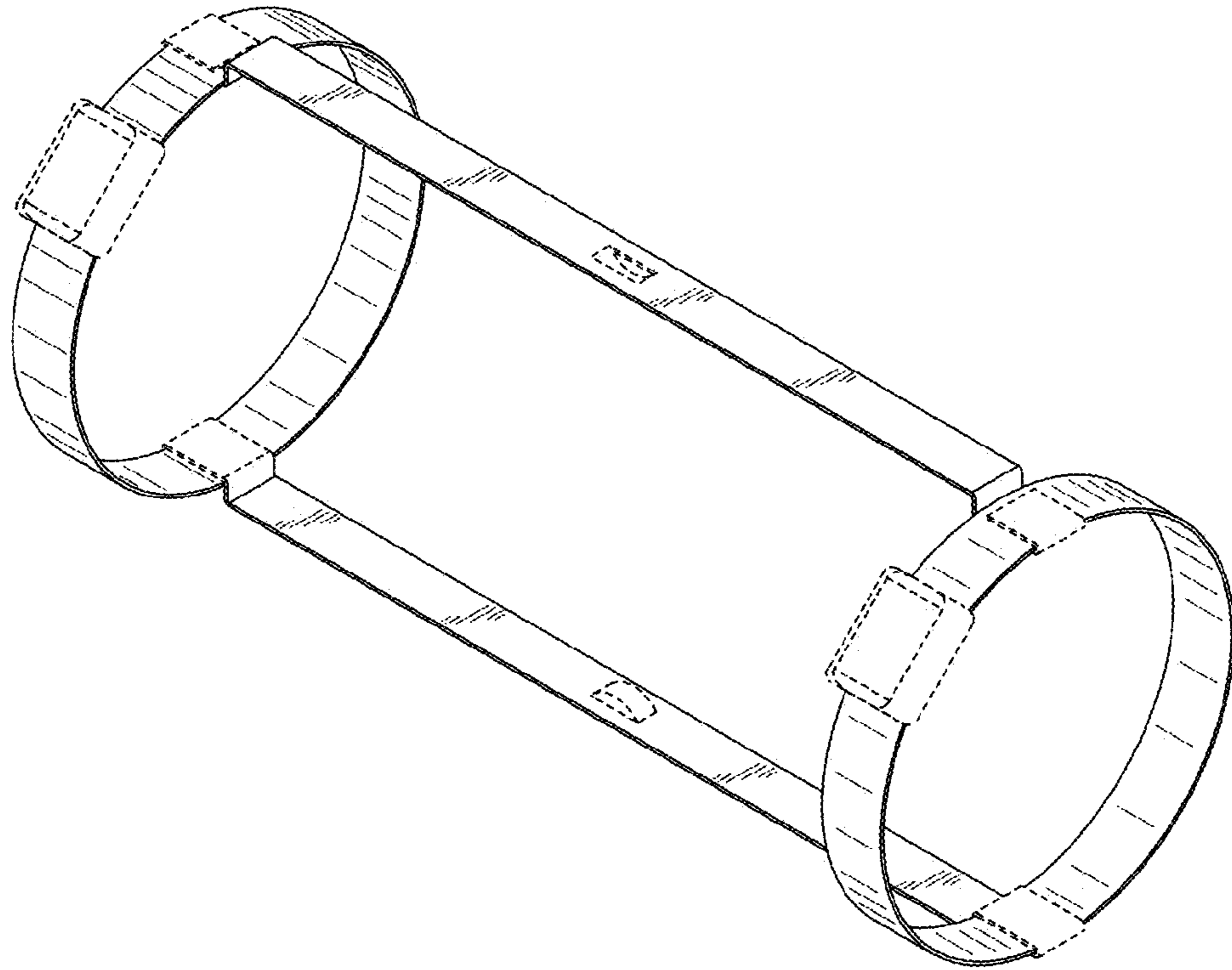


Figure 2

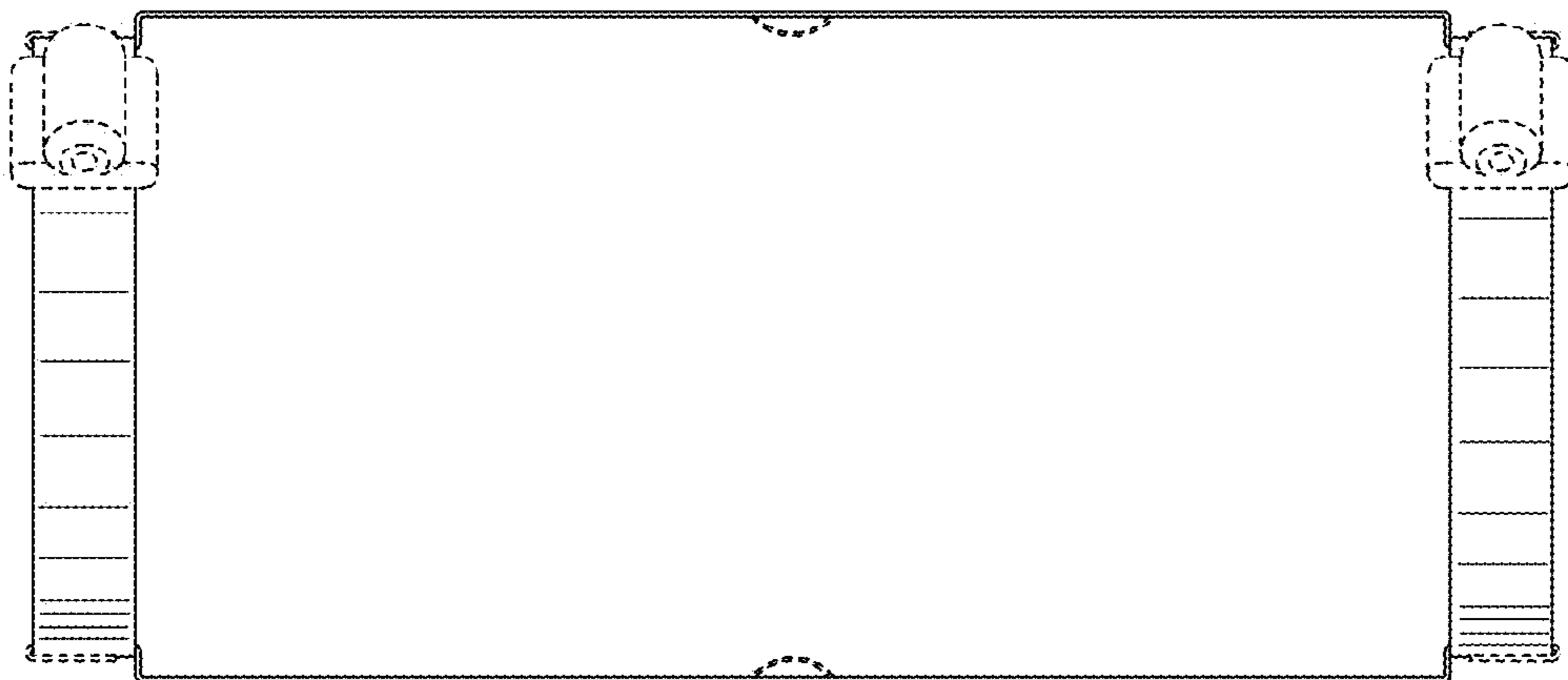


Figure 3

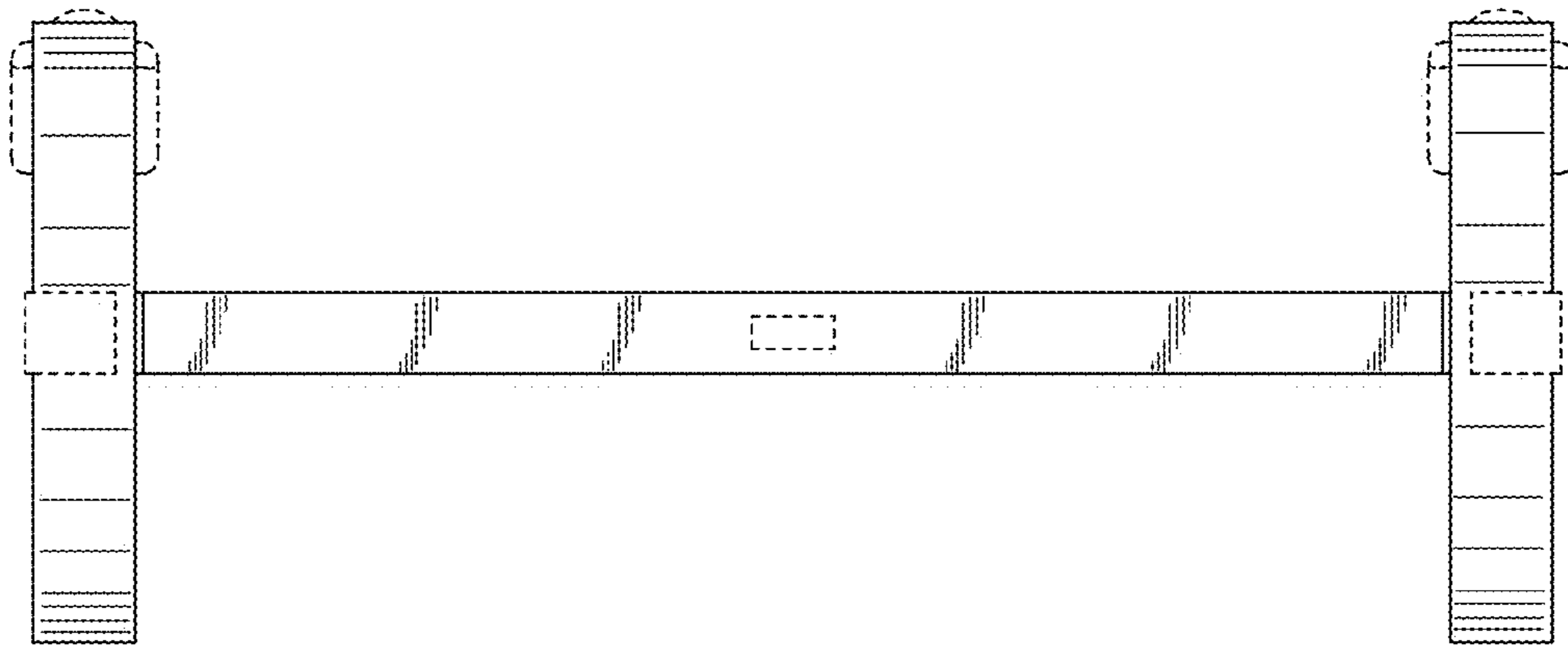


Figure 4

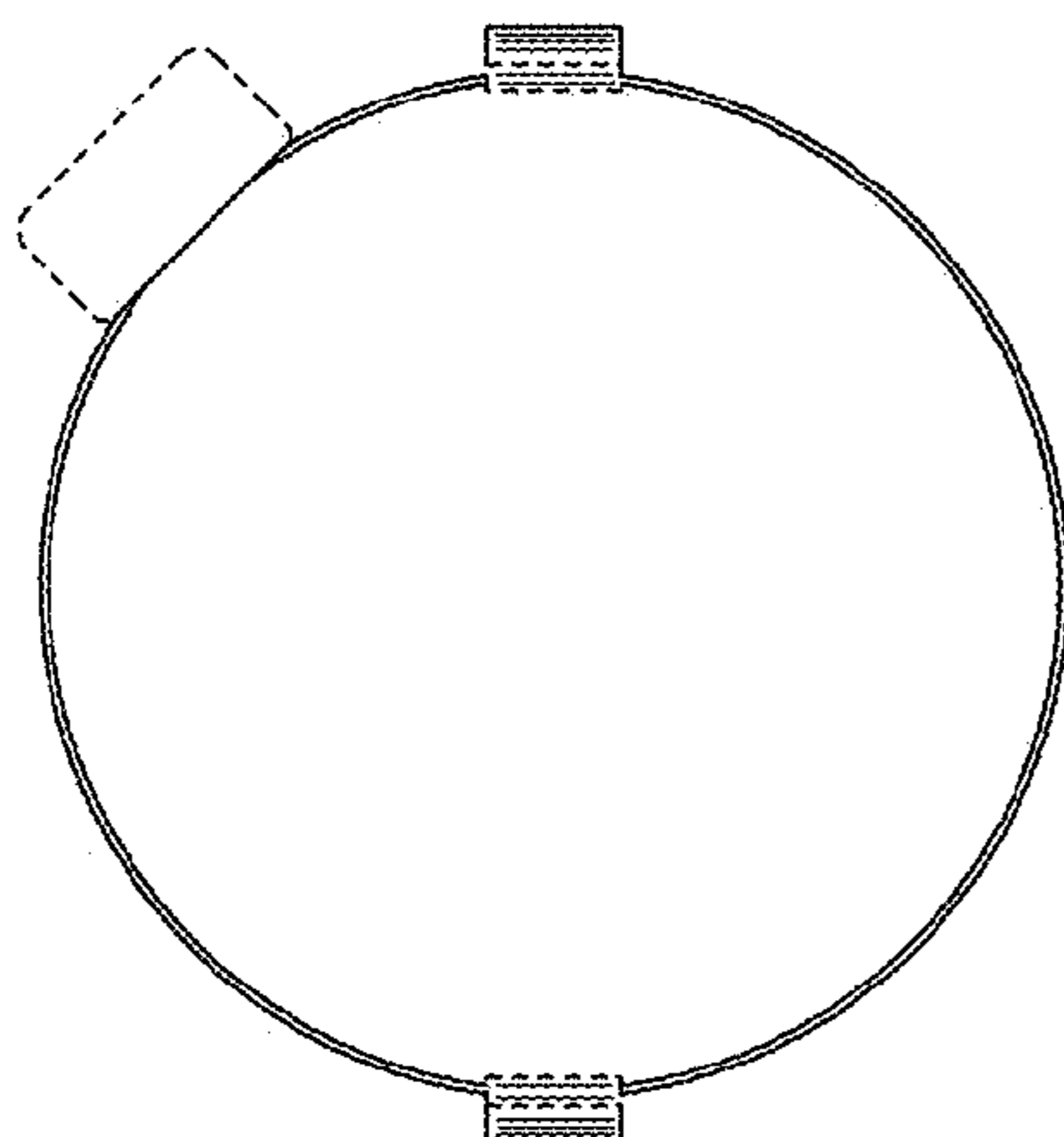


Figure 5

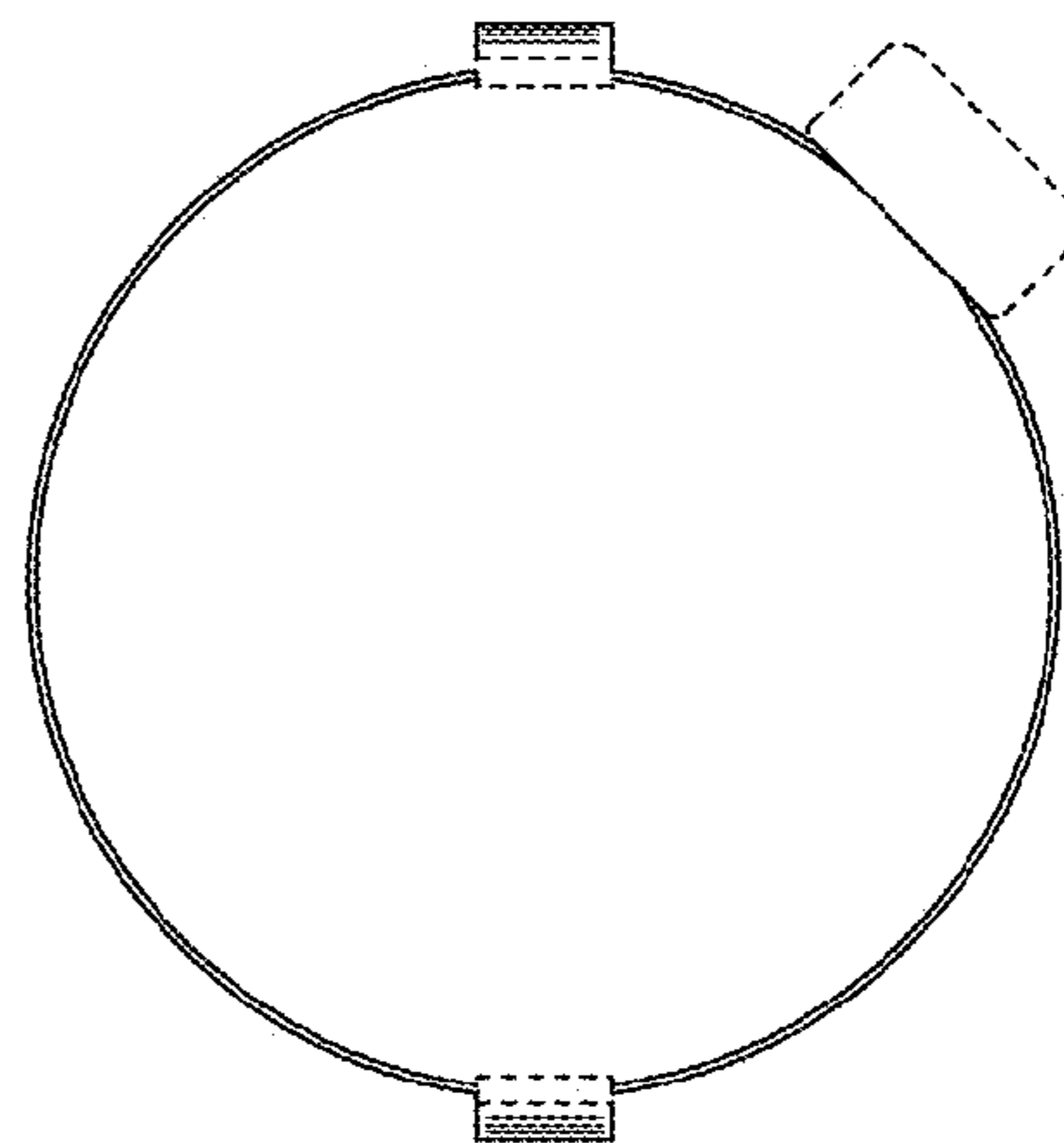


Figure 6

