



US00D678845S

(12) **United States Design Patent**
Singer

(10) **Patent No.:** **US D678,845 S**

(45) **Date of Patent:** **** Mar. 26, 2013**

(54) **WIRE BOX**

(76) **Inventor:** **Bonnie Jane Singer**, Bainbridge Island, WA (US)

(**) **Term:** **14 Years**

(21) **Appl. No.:** **29/374,402**

(22) **Filed:** **Aug. 8, 2011**

(51) **LOC (9) Cl.** **13-03**

(52) **U.S. Cl.** **D13/152**

(58) **Field of Classification Search** D13/139.4,
D13/152, 154, 156, 158, 160, 173, 184, 199;
174/17.04, 50, 53-55, 58, 60, 64, 66, 67,
174/480-81; 220/3.2, 3.3, 3.7-3.9, 241-42,
220/315; 439/135-6, 367, 373, 535-37,
439/541, 892-93; 248/906; 138/109

See application file for complete search history.

(56) **References Cited**

U.S. PATENT DOCUMENTS

D346,386 S *	4/1994	Brownlie et al.	D14/240
D363,722 S *	10/1995	Aldridge et al.	D14/242
D553,093 S *	10/2007	Miller	D13/152

* cited by examiner

Primary Examiner — Robert M Spear

Assistant Examiner — Rhea Shields

(74) *Attorney, Agent, or Firm* — Bonnie Jane Singer

(57) **CLAIM**

The ornamental design for “the wire box”, as shown and described.

DESCRIPTION

FIG. 1 is the angle perspective view of the wire box showing my design.

FIG. 2 is the box and top separated with the view of the inside thereof.

FIG. 3 is the frontal view of the box with the top attached thereof.

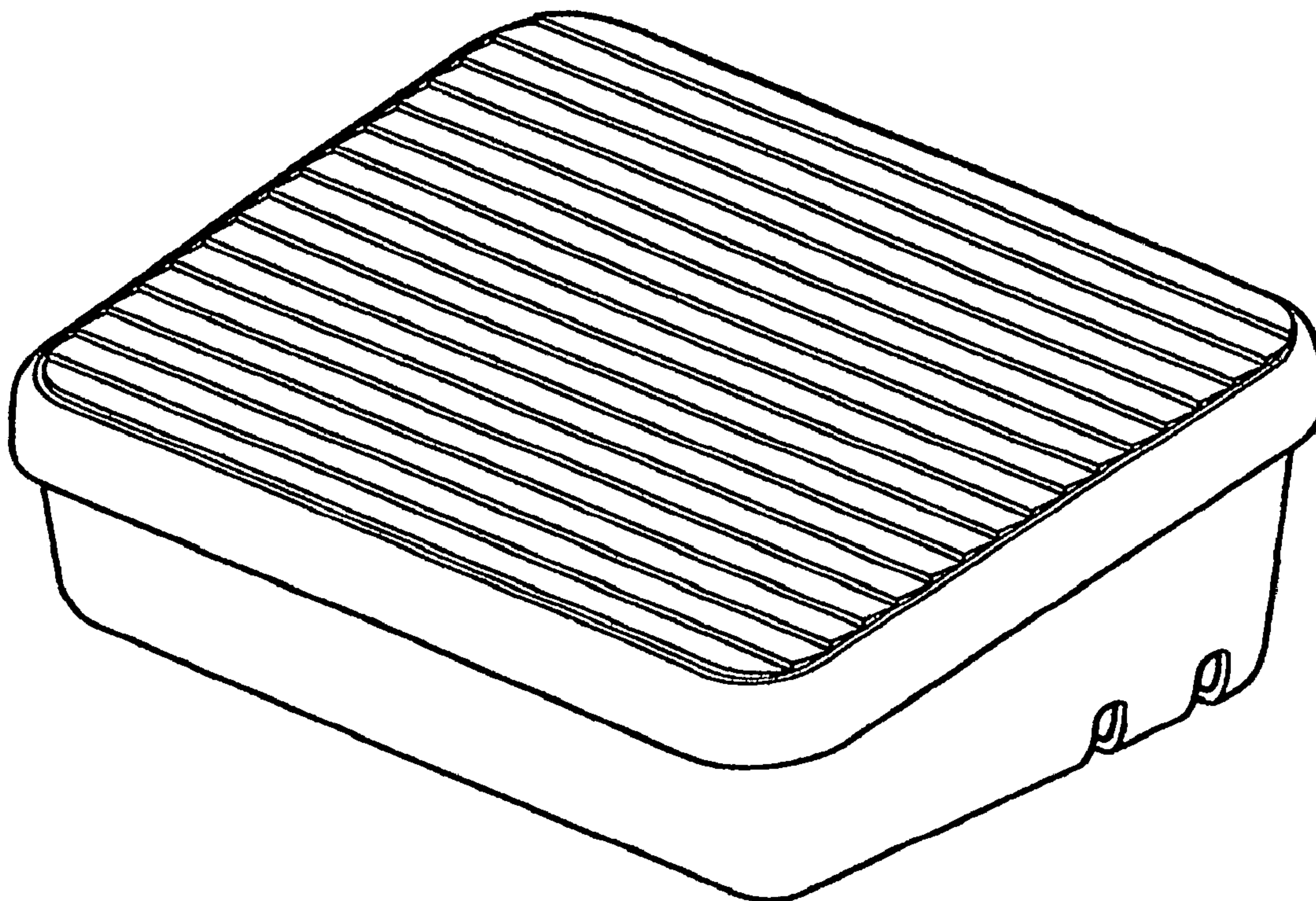
FIG. 4 is a side elevational view thereof, the right and left side elevational view being a mirror image thereof.

FIG. 5 is the top plain view thereof.

FIG. 6 is the back plan view thereof; and,

FIG. 7 is the bottom plan view thereof.

1 Claim, 3 Drawing Sheets



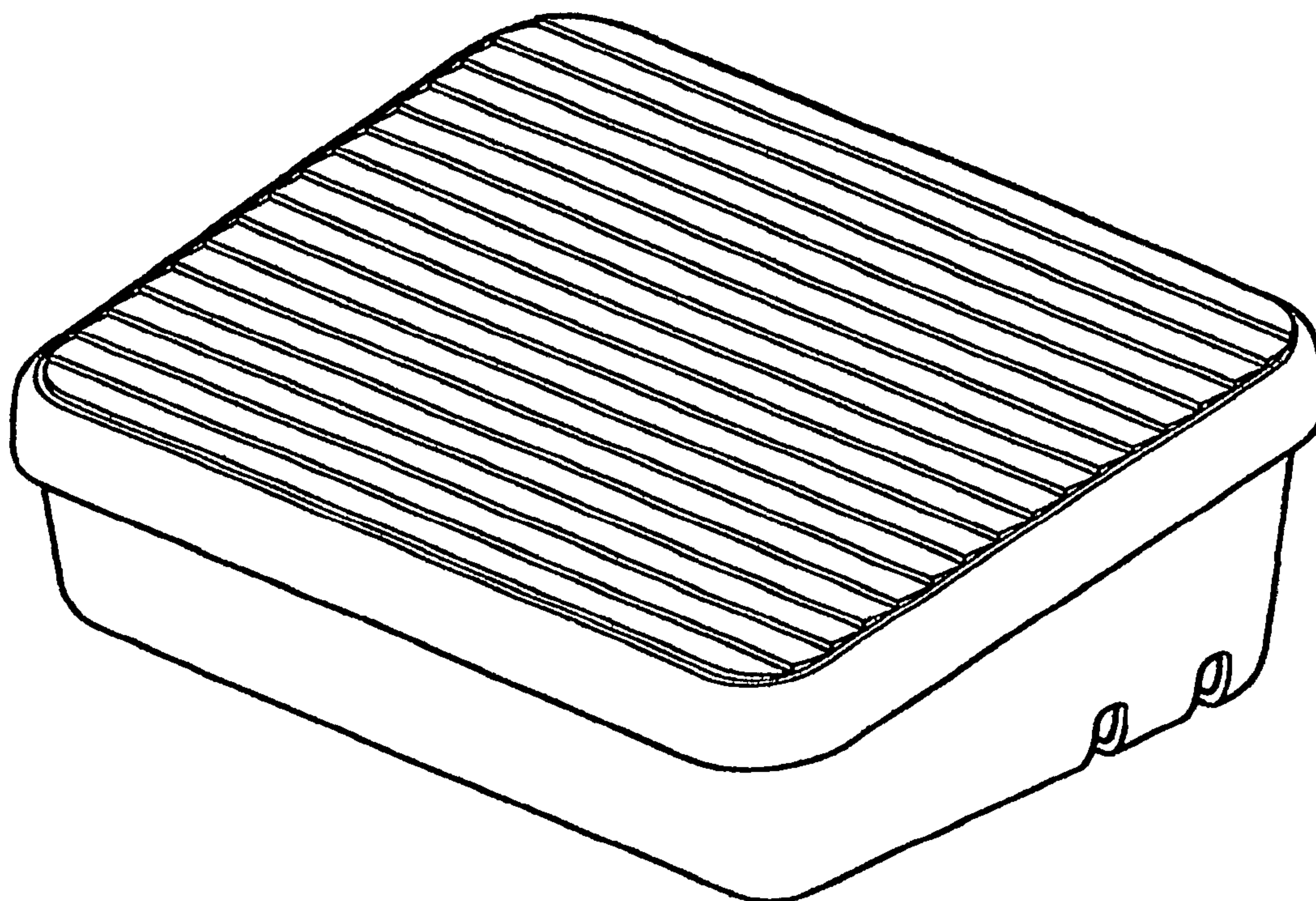


Fig. 1

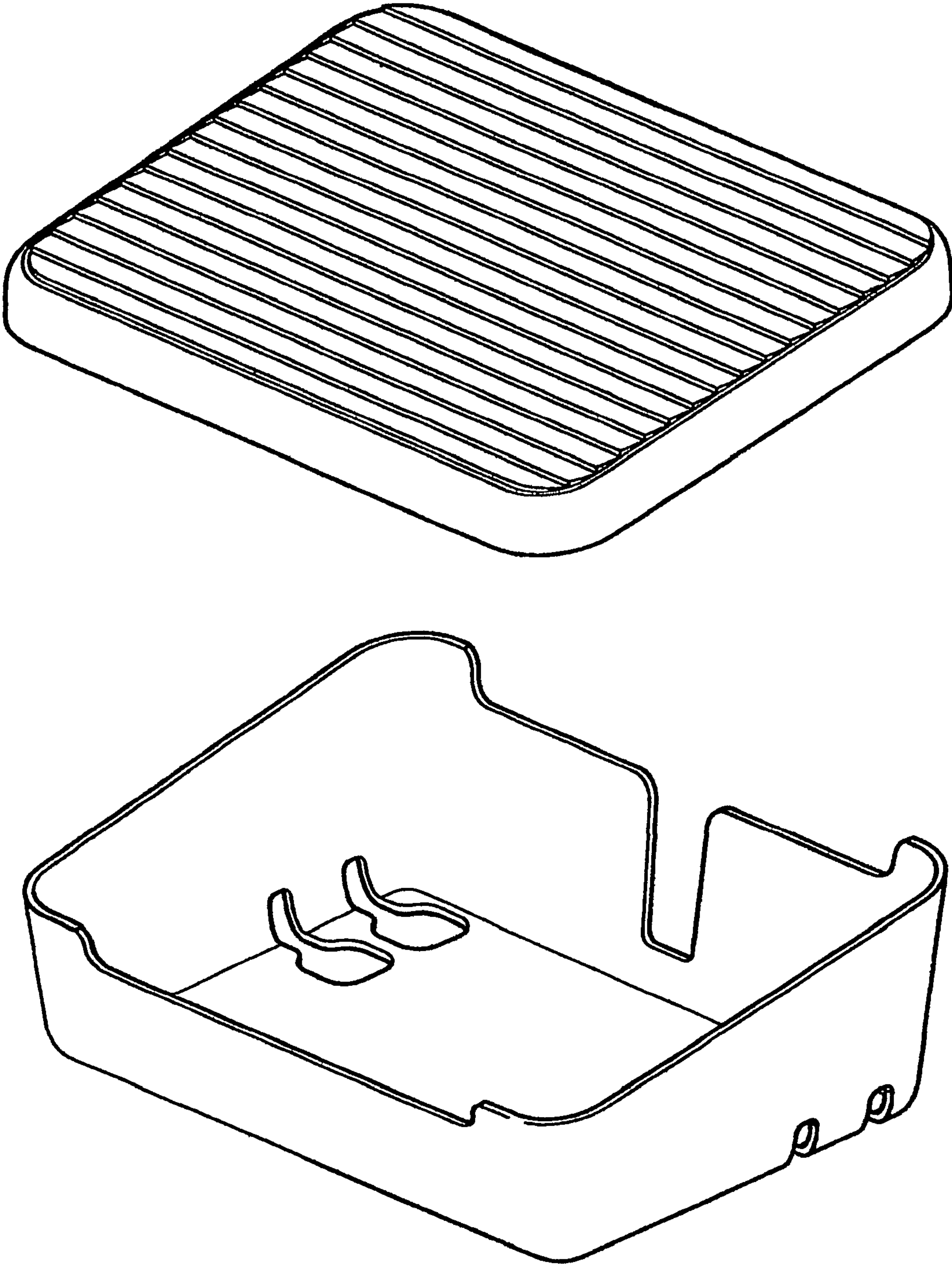


Fig. 2

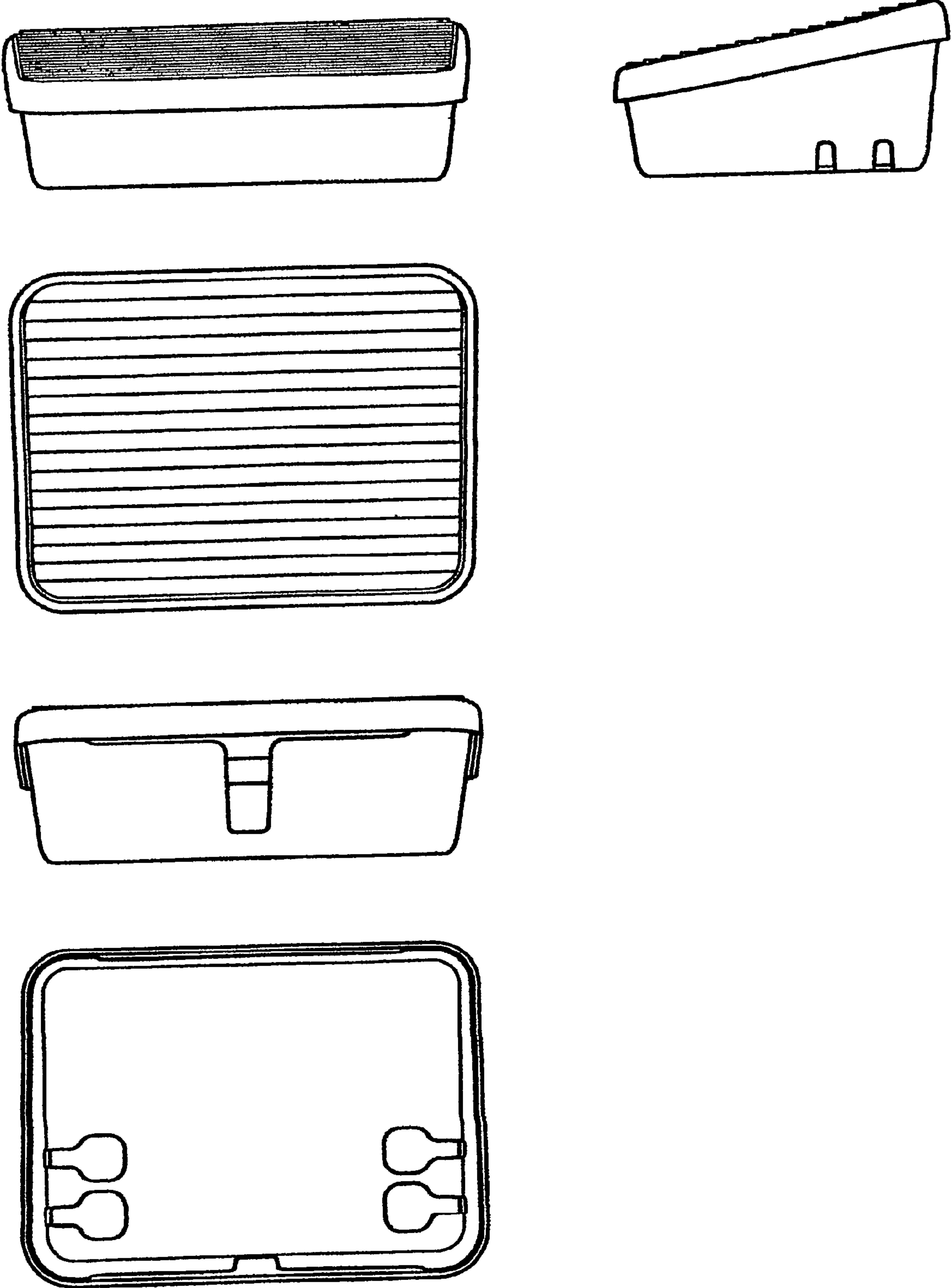


Fig. 3