



US00D678844S

(12) **United States Design Patent**  
**Haberek**

(10) **Patent No.:** **US D678,844 S**

(45) **Date of Patent:** **\*\* Mar. 26, 2013**

(54) **RIGHT-ANGLE COAXIAL CABLE CONNECTOR**

D605,136 S \* 12/2009 Amidon ..... D13/151  
D611,912 S \* 3/2010 Montena ..... D13/151  
D643,370 S \* 8/2011 Eriksen et al. .... D13/154

(75) Inventor: **Andrew Haberek**, Baldwinsville, NY (US)

\* cited by examiner

(73) Assignee: **John Mezzalingua Associates, Inc.**, E. Syracuse, NY (US)

*Primary Examiner* — Derrick Holland

(74) *Attorney, Agent, or Firm* — Schmeiser, Olsen & Watts, LLP

(\*\*) Term: **14 Years**

(57) **CLAIM**

The ornamental design for a right-angle coaxial cable connector, as shown and described.

(21) Appl. No.: **29/402,693**

**DESCRIPTION**

(22) Filed: **Sep. 26, 2011**

(51) **LOC (9) Cl.** ..... **13-03**

(52) **U.S. Cl.** ..... **D13/151**

(58) **Field of Classification Search** ..... D13/151,  
D13/133, 149, 150, 153, 154, 156, 184, 199;  
307/10.1; 333/81 A, 81 R; 411/7, 11, 190;  
439/180, 296, 321, 322, 345, 578–585, 656,  
439/660, 666, 686

See application file for complete search history.

FIG. 1 is a front perspective view of a right-angle coaxial cable connector showing my new design;  
FIG. 2 is a back perspective view thereof;  
FIG. 3 is a left side elevation view thereof, with the right side elevation being a mirror image;  
FIG. 4 is a top plan view thereof;  
FIG. 5 is a bottom plan view thereof;  
FIG. 6 is a front elevation view thereof;  
FIG. 7 is a back elevation view thereof;  
FIG. 8 is a front perspective view thereof, shown in an alternate environmental use; and,  
FIG. 9 is a front perspective view thereof, shown in another alternate environmental use.

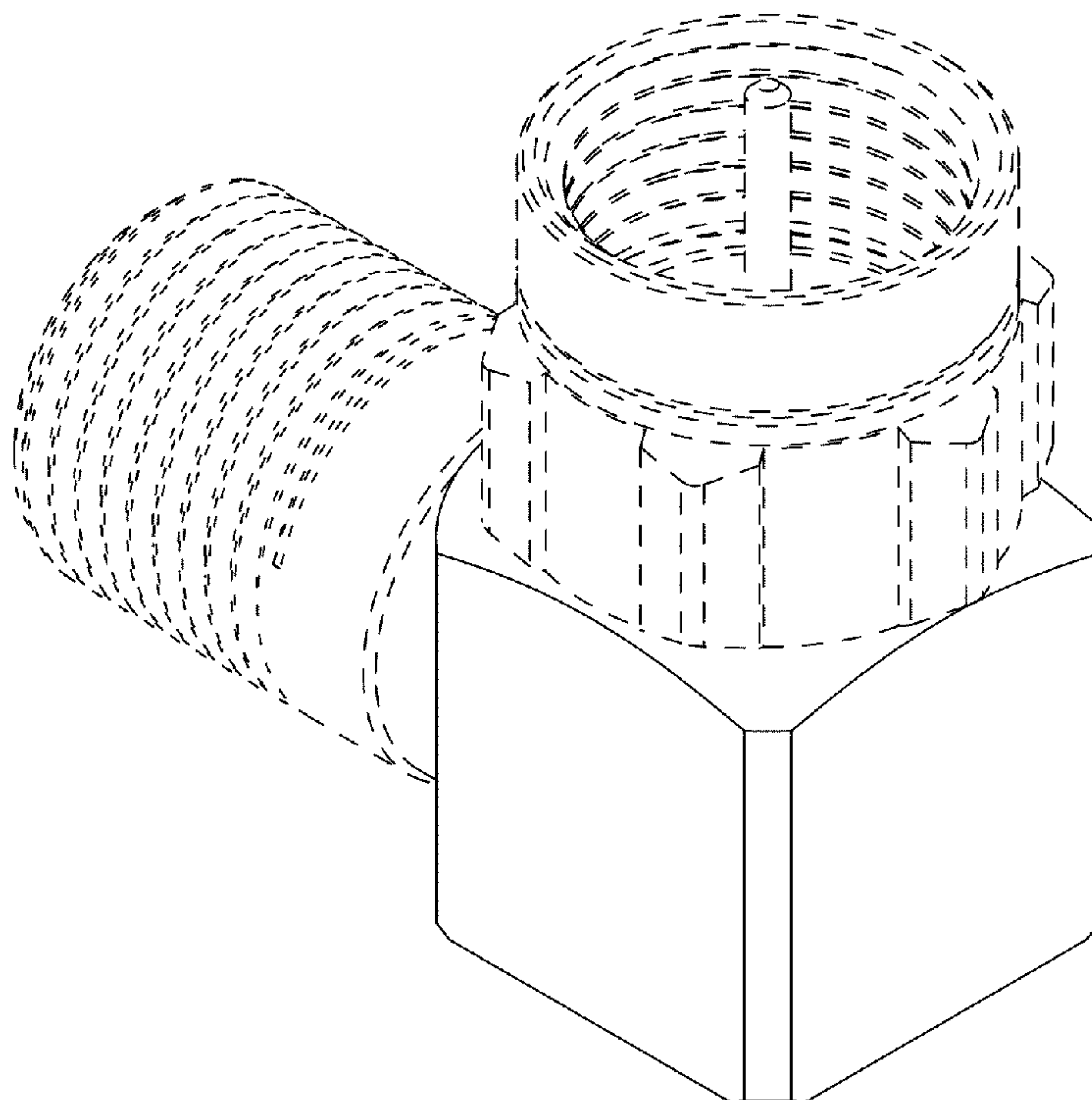
The broken line portion of the figure drawings is included for the purpose of illustrating environment and forms no part of the claimed design.

(56) **References Cited**

U.S. PATENT DOCUMENTS

D572,198 S \* 7/2008 Chawgo et al. .... D13/154  
D596,580 S \* 7/2009 Chawgo et al. .... D13/151  
D603,802 S \* 11/2009 Amidon ..... D13/151

**1 Claim, 7 Drawing Sheets**



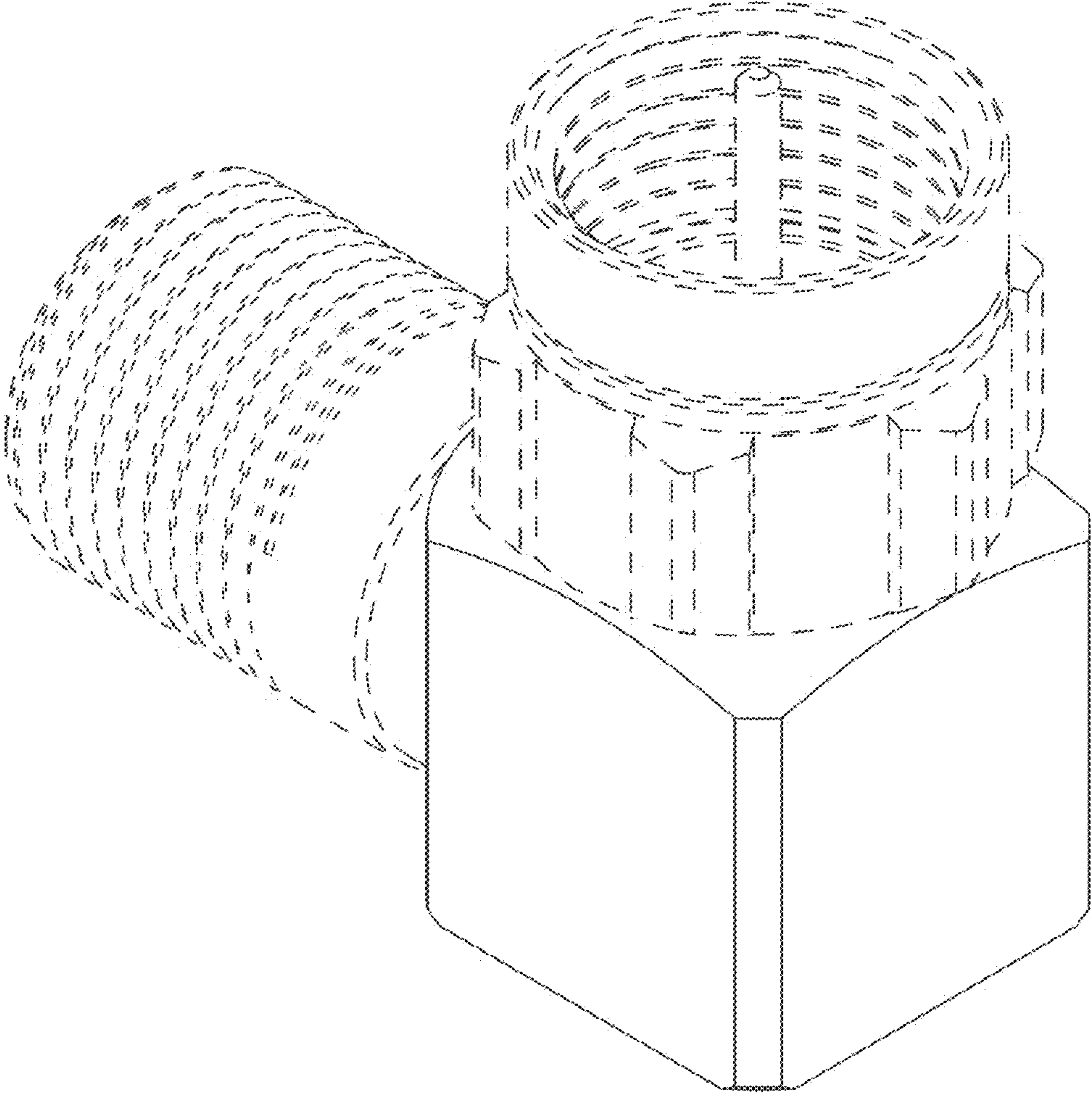


FIG. 1

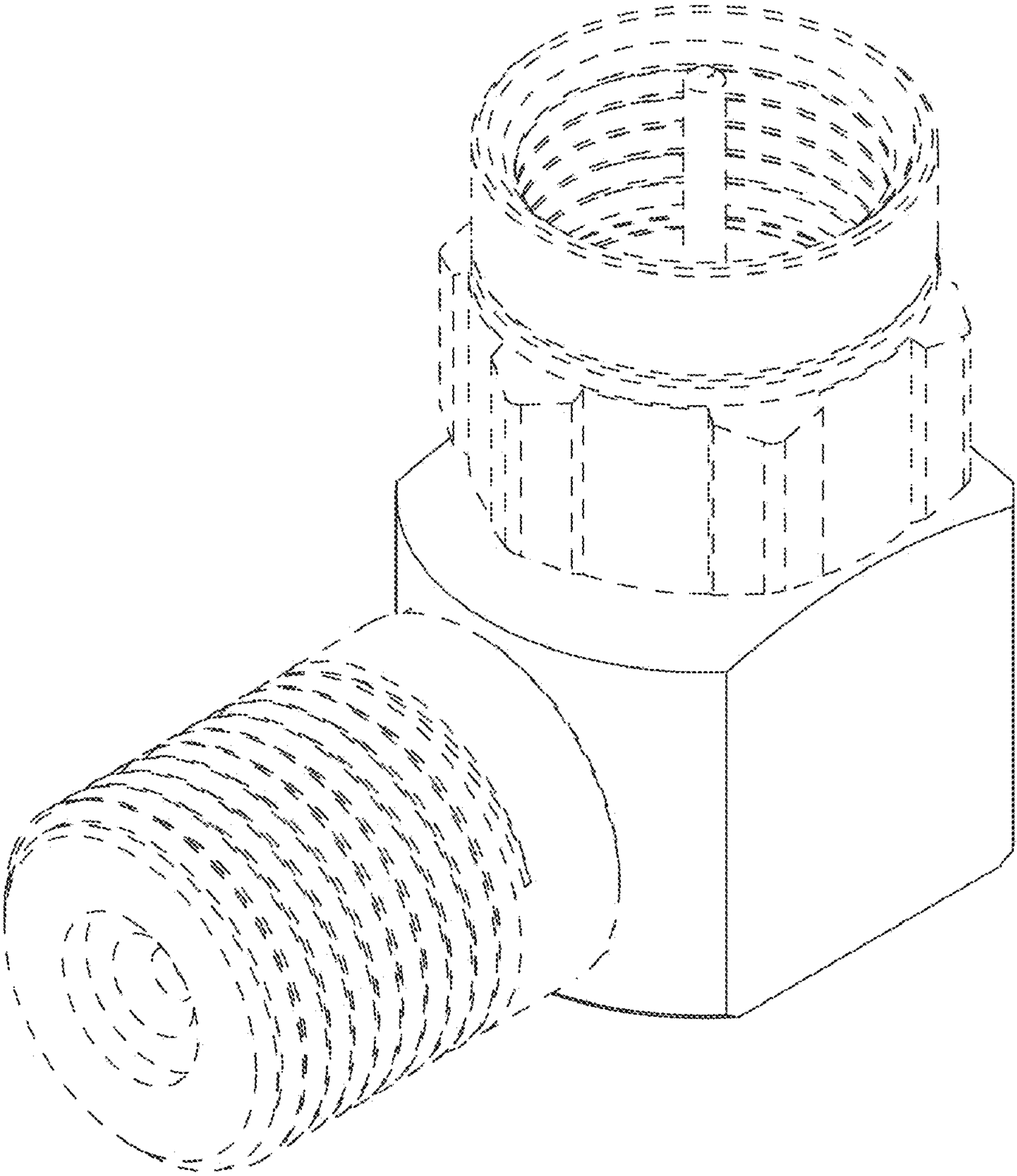


FIG. 2

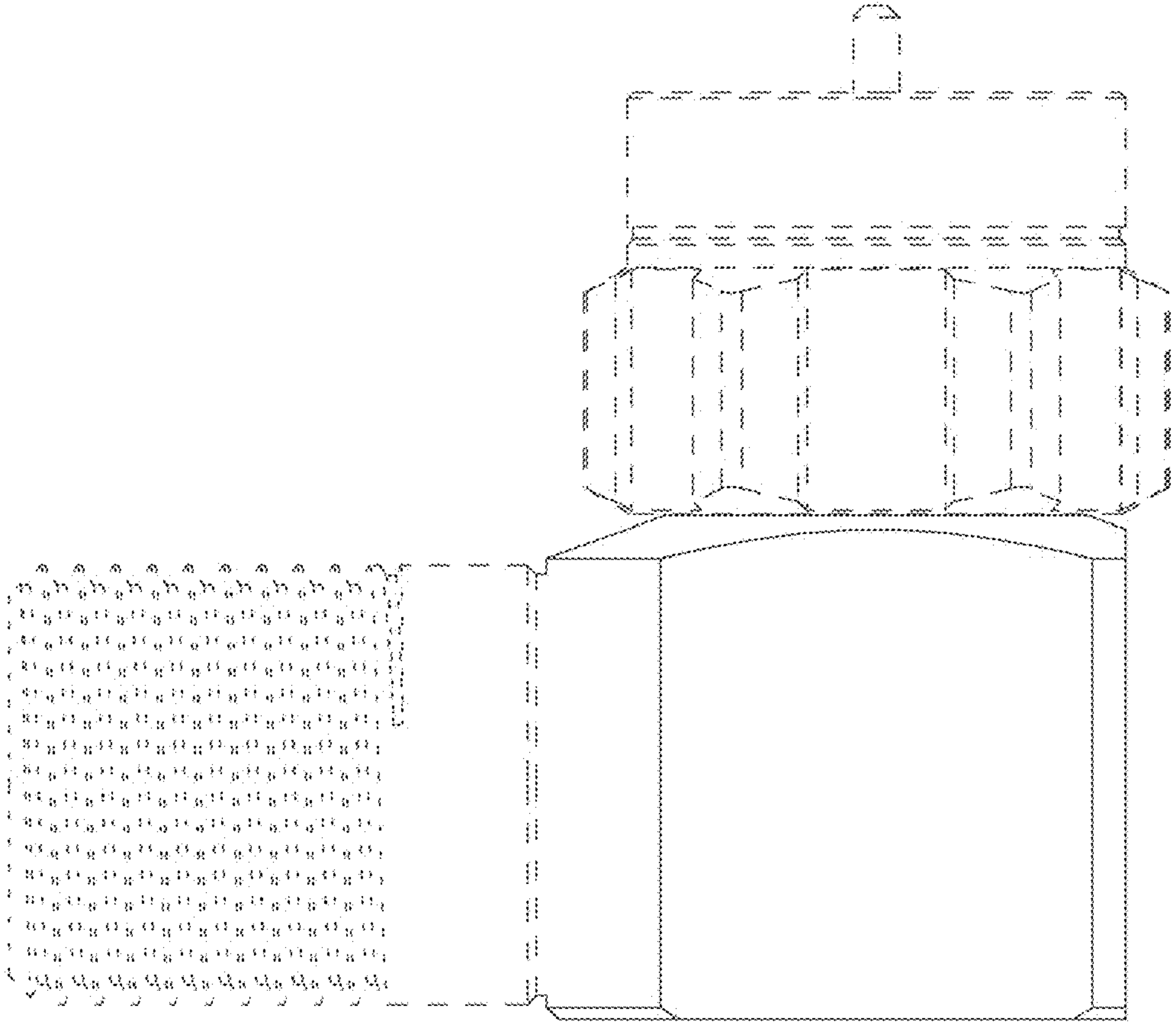


FIG. 3



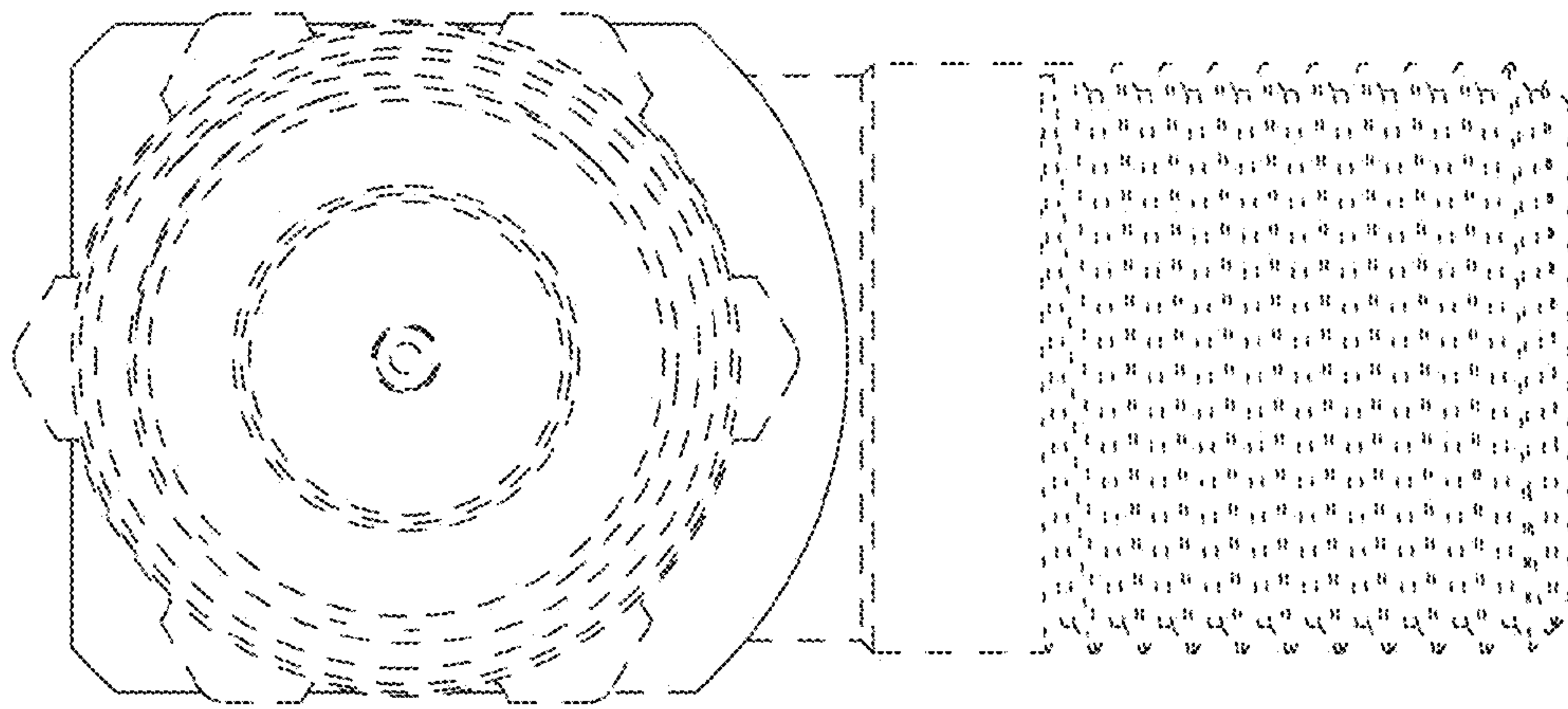


FIG. 4

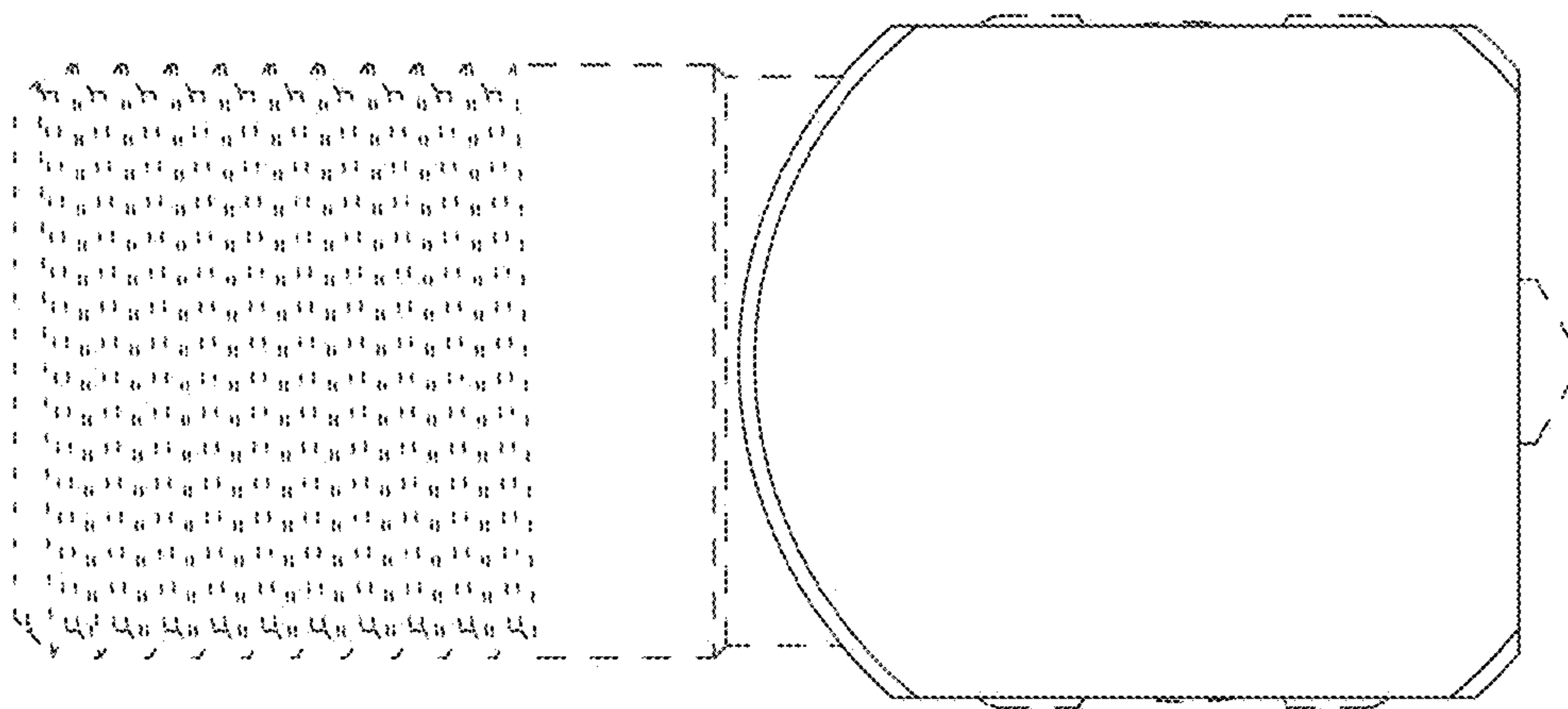


FIG. 5

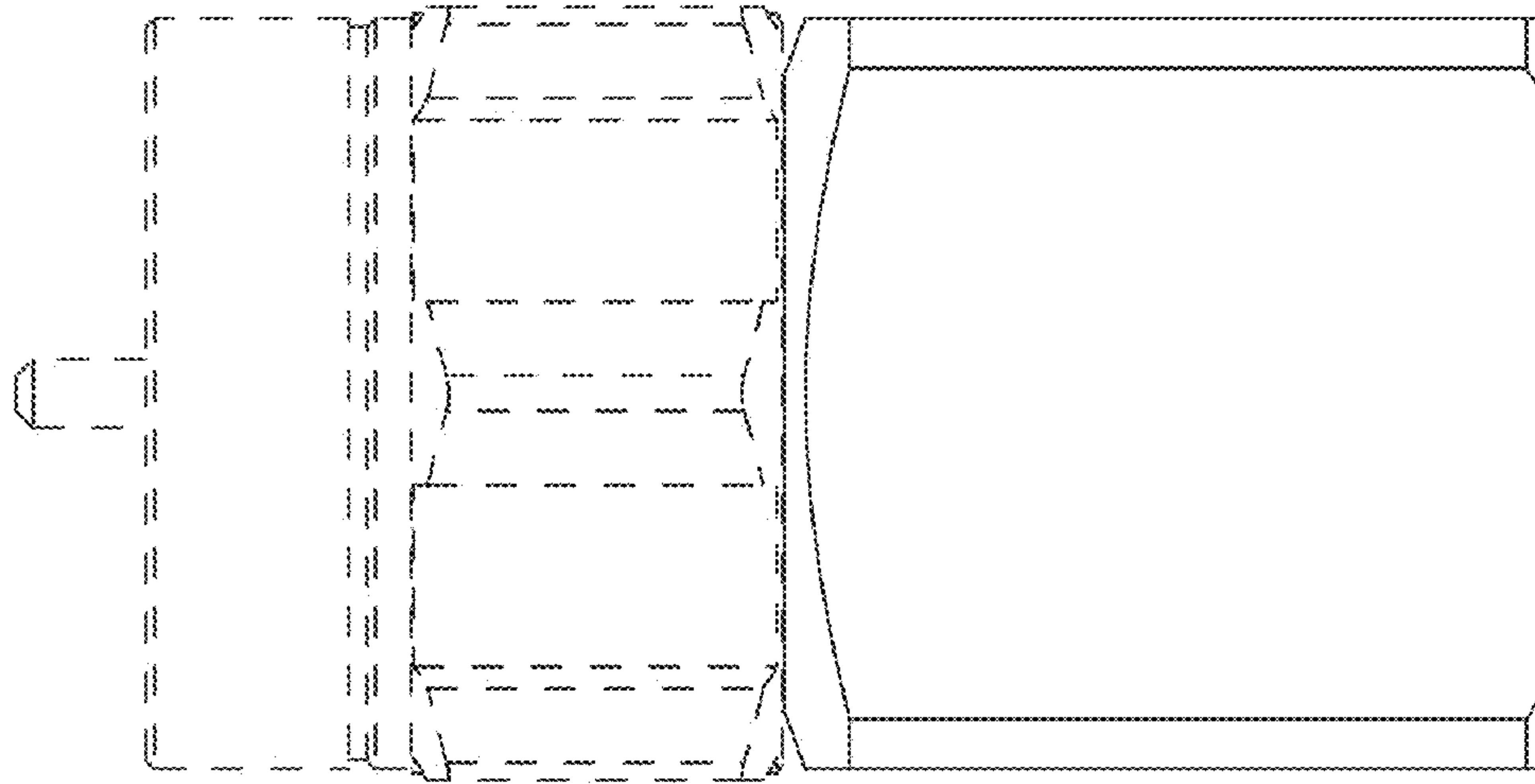


FIG. 6

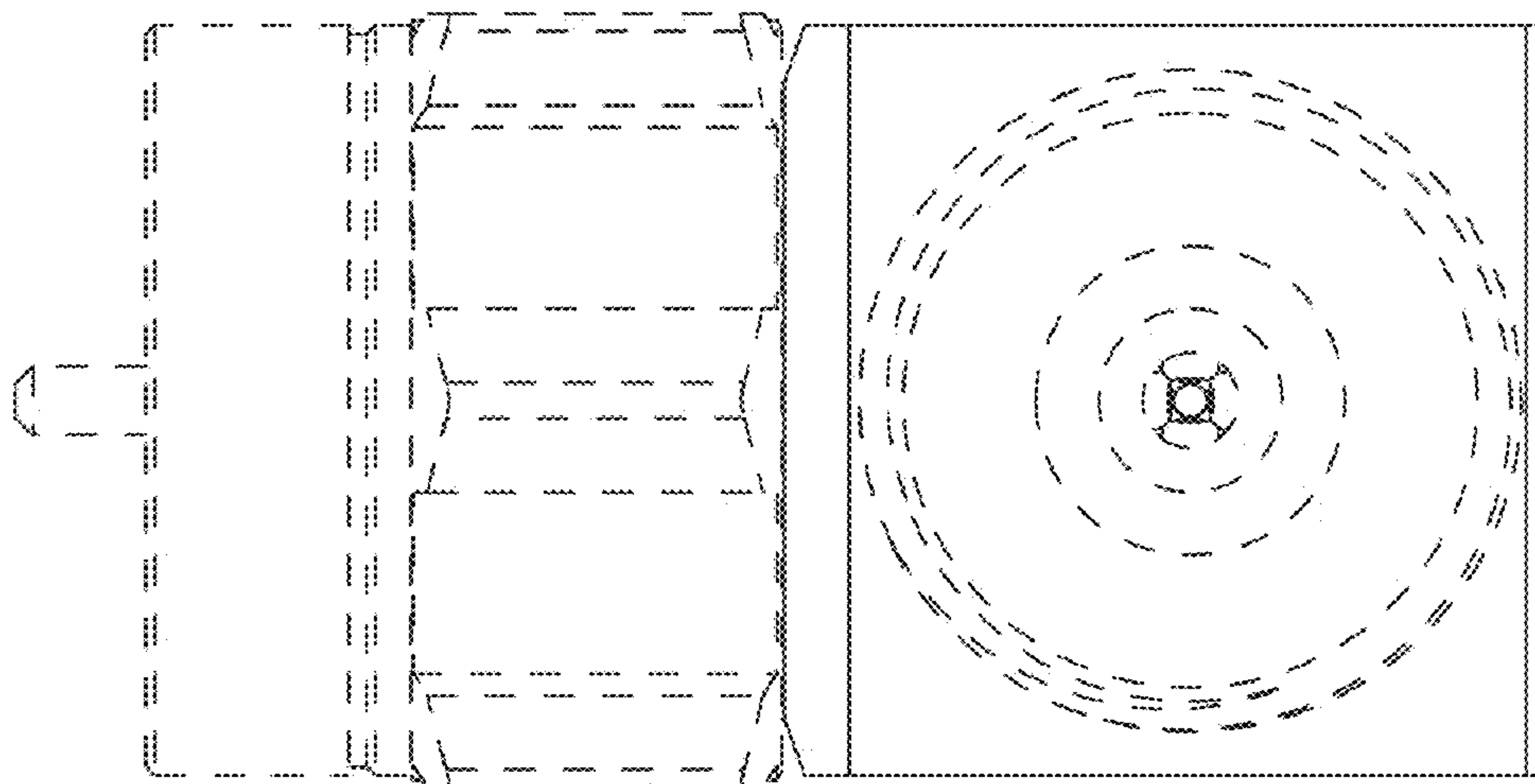


FIG. 7

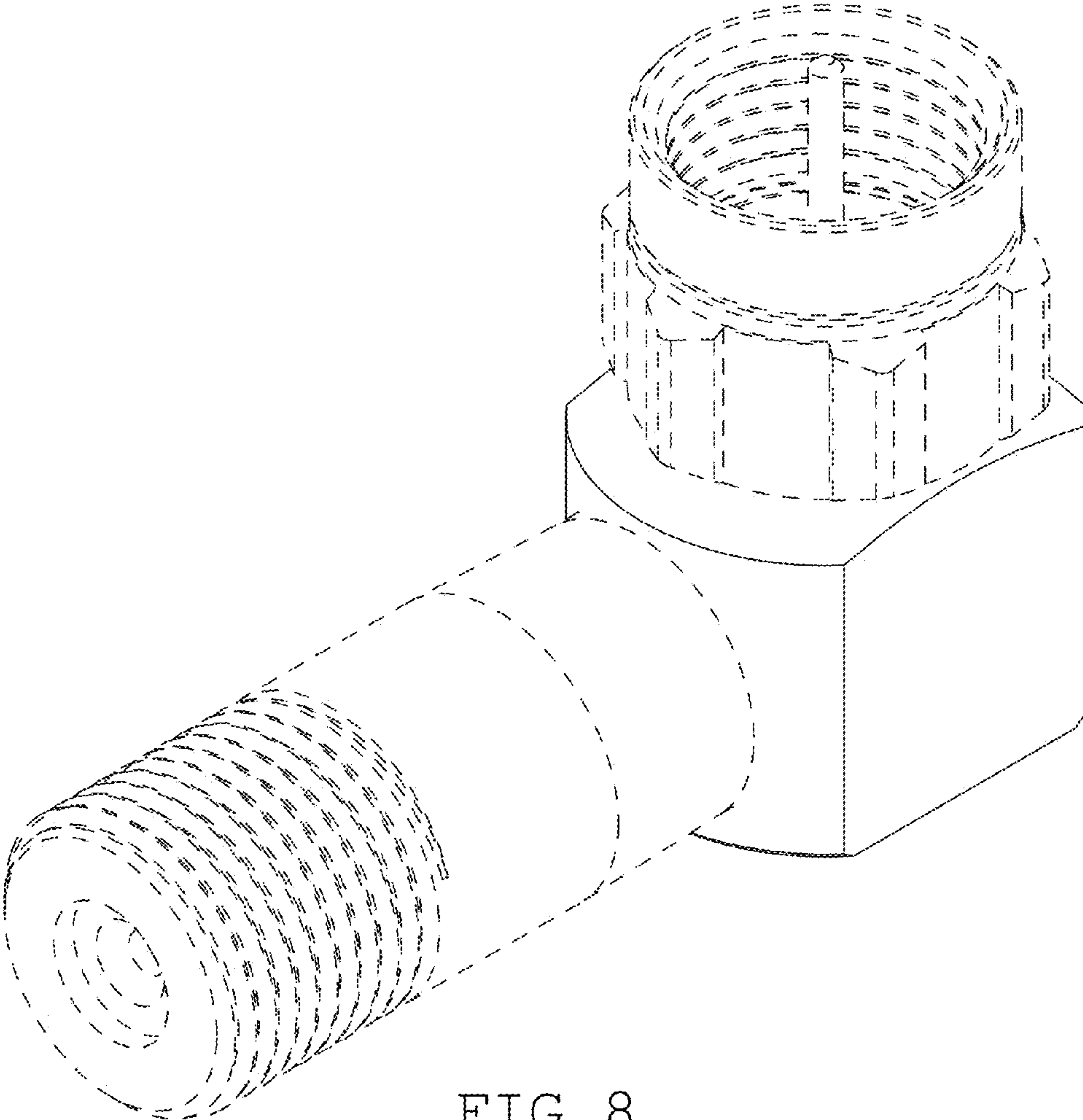


FIG. 8

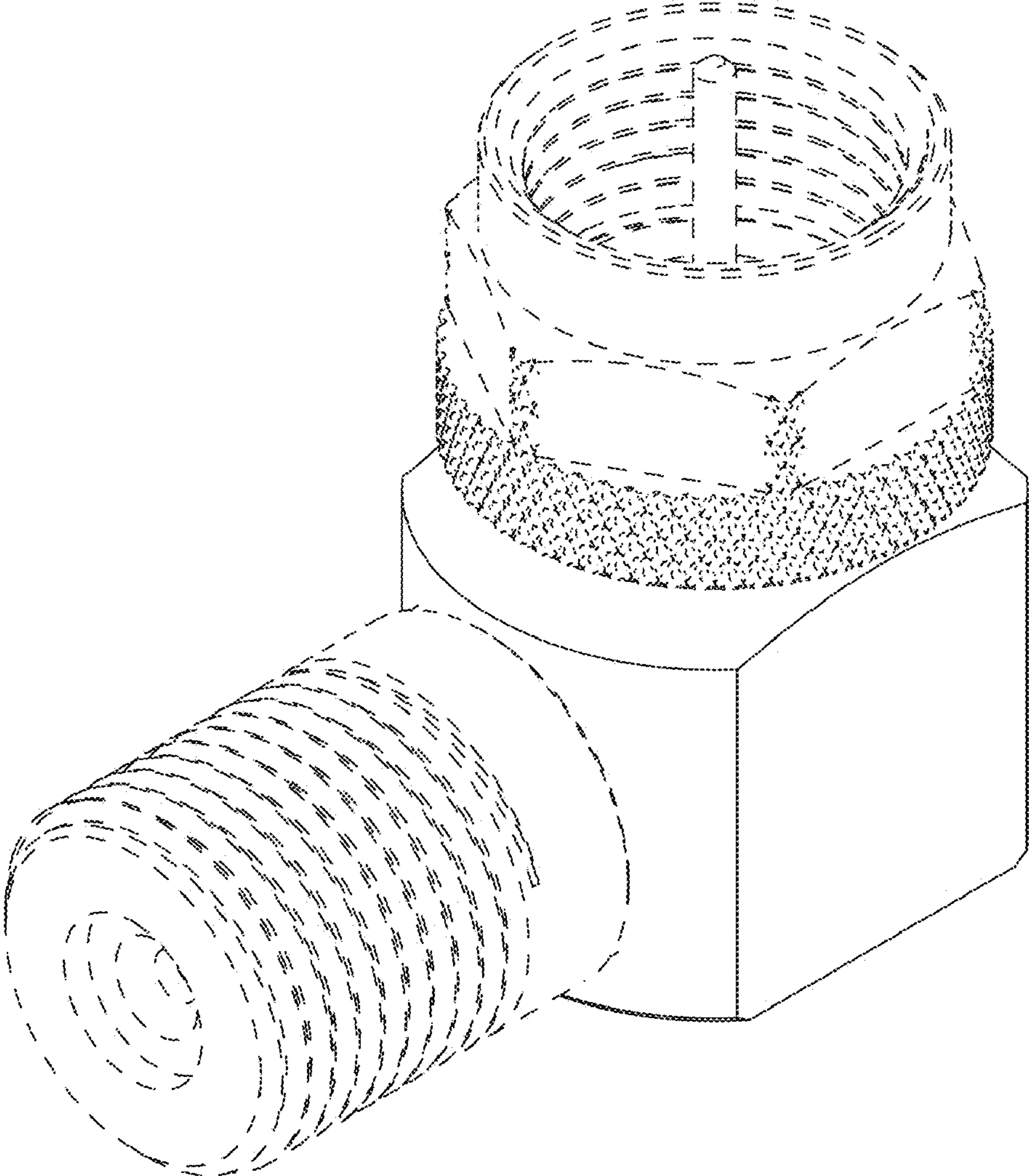


FIG. 9