



US00D678843S

(12) **United States Design Patent**  
**Faith**

(10) **Patent No.:** **US D678,843 S**  
(45) **Date of Patent:** **\*\* Mar. 26, 2013**

(54) **ELECTRICAL CONNECTOR HOUSING**

(75) Inventor: **Chad Faith**, Corydon, IN (US)

(73) Assignee: **Samtec, Inc.**, New Albany, IN (US)

(\*\*) Term: **14 Years**

(21) Appl. No.: **29/420,212**

(22) Filed: **May 7, 2012**

**Related U.S. Application Data**

(62) Division of application No. 29/359,198, filed on Apr. 7, 2010, now Pat. No. Des. 635,517.

(51) **LOC (9) Cl.** ..... **13-03**

(52) **U.S. Cl.** ..... **D13/147**

(58) **Field of Classification Search** ..... D13/133,  
D13/146, 147, 154, 184, 199; 439/82, 83,  
439/409, 412, 413, 567, 636, 660, 692, 709,  
439/715, 716, 844, 849, 850-852, 857, 862,  
439/865-867, 870, 877, 884-891; 361/823

See application file for complete search history.

(56) **References Cited**

**PUBLICATIONS**

Faith, "Electrical Connector Housing", U.S. Appl. No. 29/358,213, filed Mar. 24, 2010.

Faith, "Electrical Connector Housing", U.S. Appl. No. 29/359,198, filed Apr. 7, 2010.

Mongold et al., "Electrical Connector Housing", U.S. Appl. No. 29/359,201, filed Apr. 7, 2010.

Faith, "Electrical Connector Housing", U.S. Appl. No. 29/386,170, filed Feb. 25, 2011.

Faith, "Electrical Connector Housing", U.S. Appl. No. 29/420,213, filed May 7, 2012.

*Primary Examiner* — Daniel Bui

(74) *Attorney, Agent, or Firm* — Keating & Bennett, LLP

(57) **CLAIM**

The ornamental design for an electrical connector housing, as shown and described.

**DESCRIPTION**

FIG. 1 is a top, front, and right side perspective view of an electrical connector housing showing my new design;

FIG. 2 is a front elevation view thereof;

FIG. 3 is a back elevation view thereof;

FIG. 4 is a top plan view thereof;

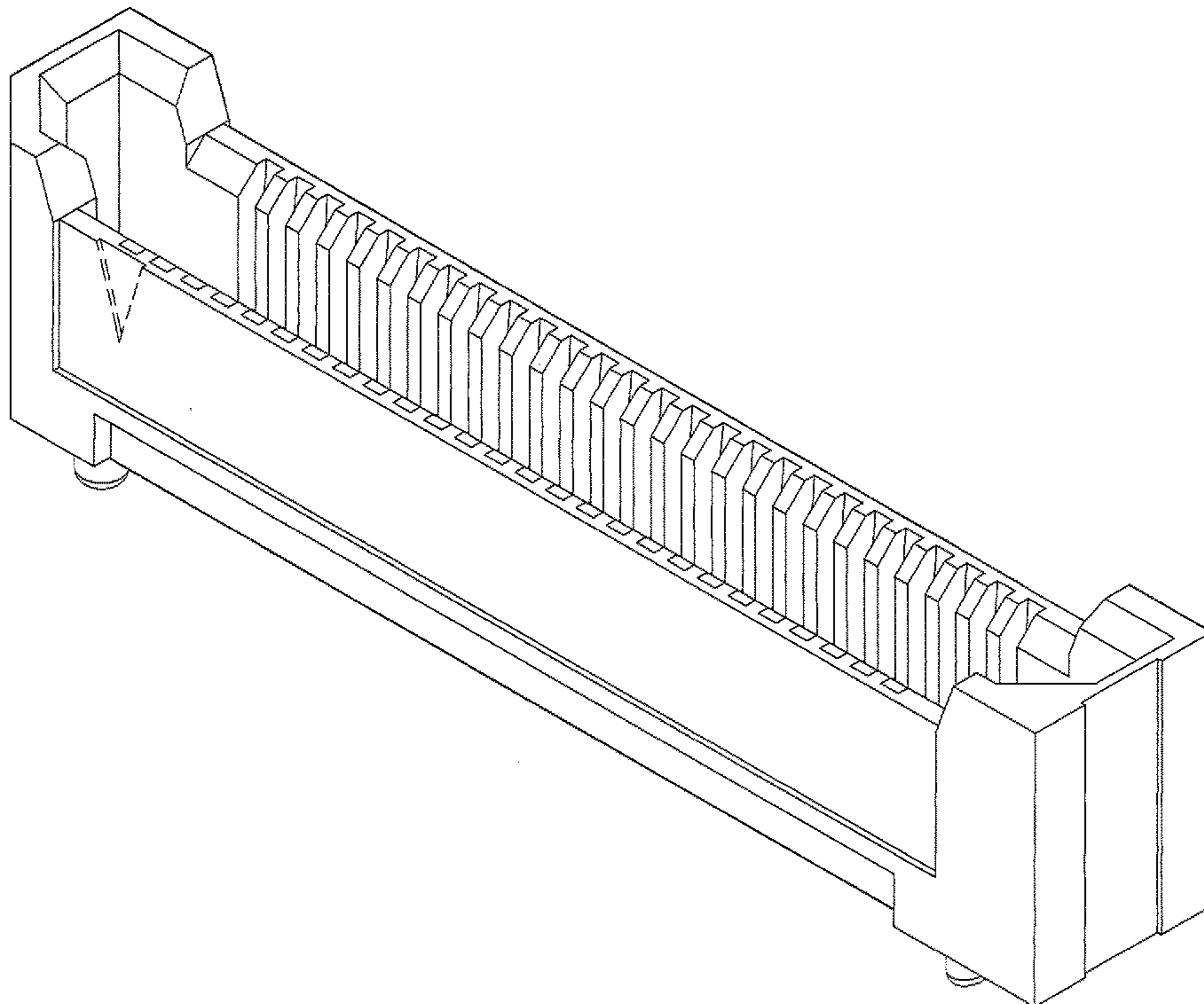
FIG. 5 is a bottom plan view thereof;

FIG. 6 is a left side elevation view thereof; and,

FIG. 7 is a right side elevation view thereof.

The broken line in the drawing views is included for the purpose of illustrating environment only and forms no part of the claimed design.

**1 Claim, 7 Drawing Sheets**



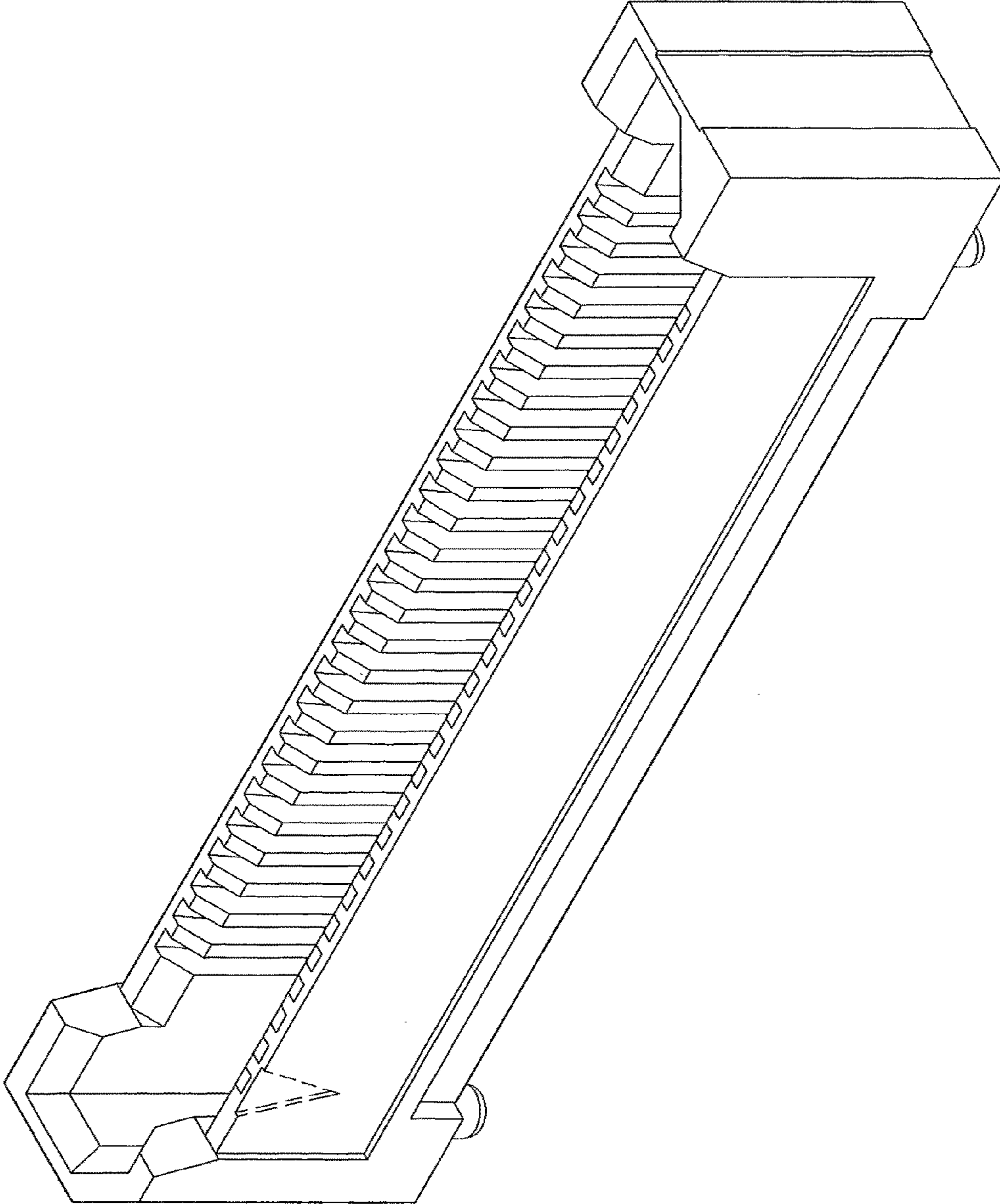


Fig. 1

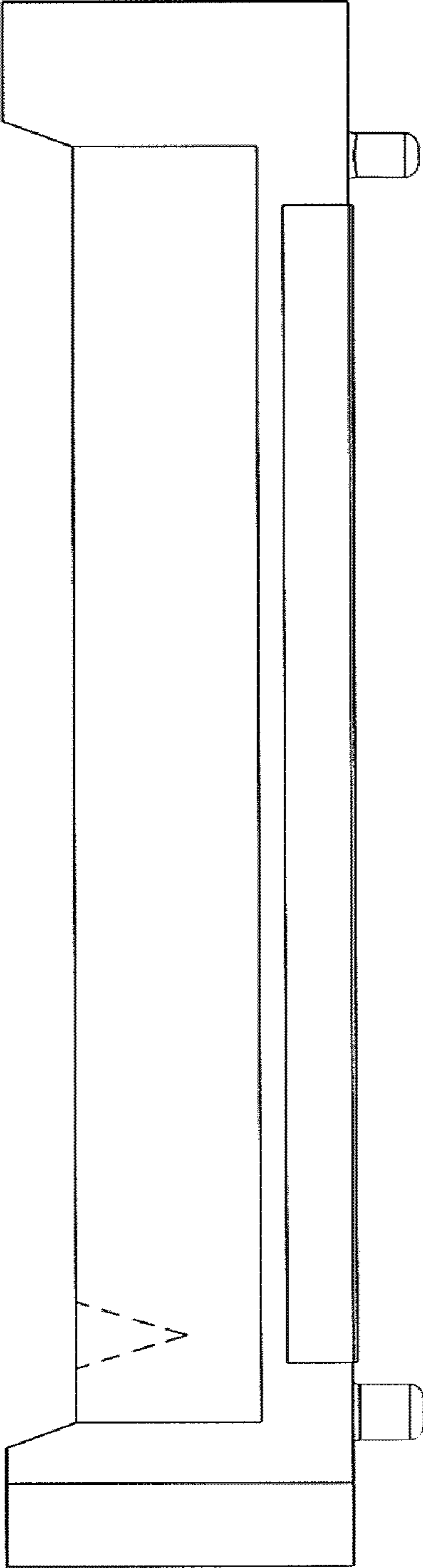


Fig. 2

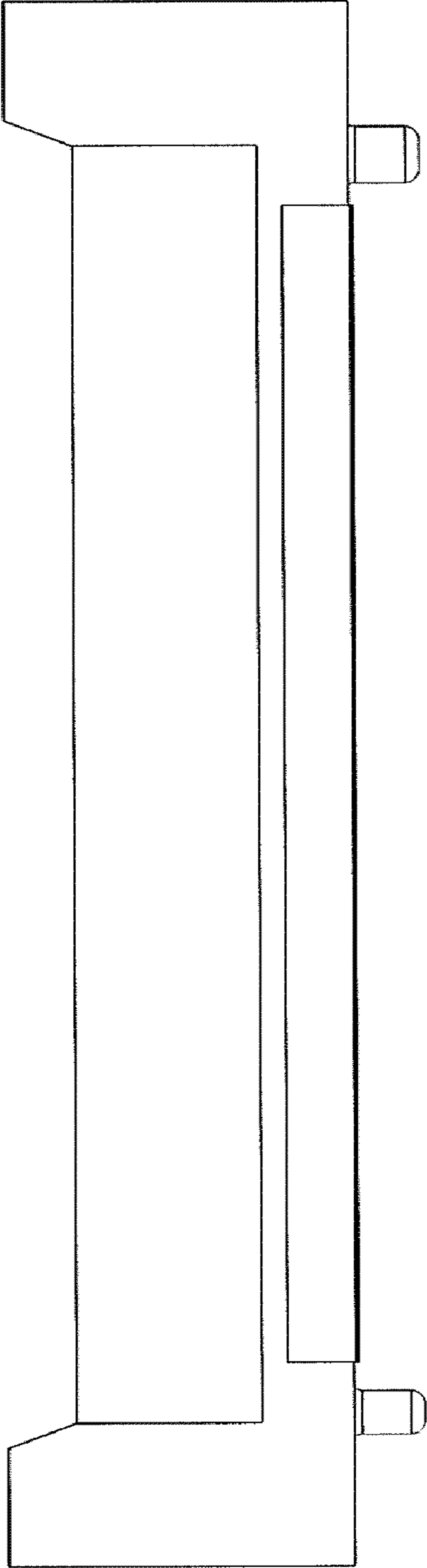


Fig. 3

Fig. 4

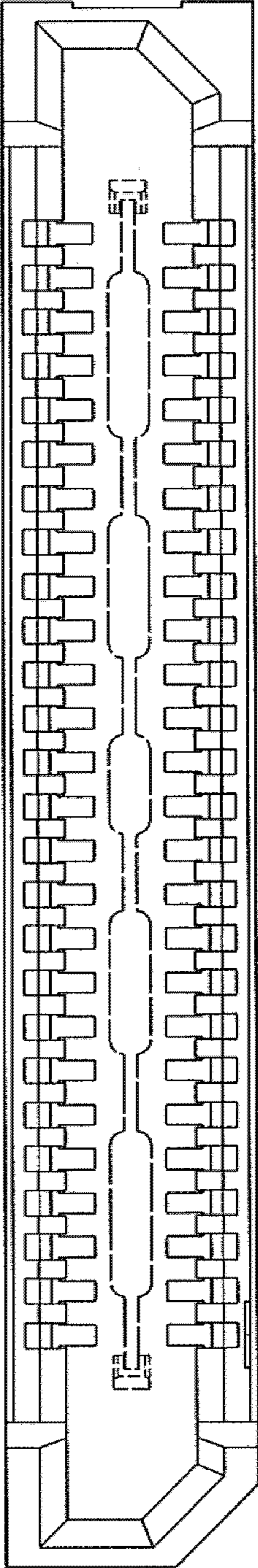
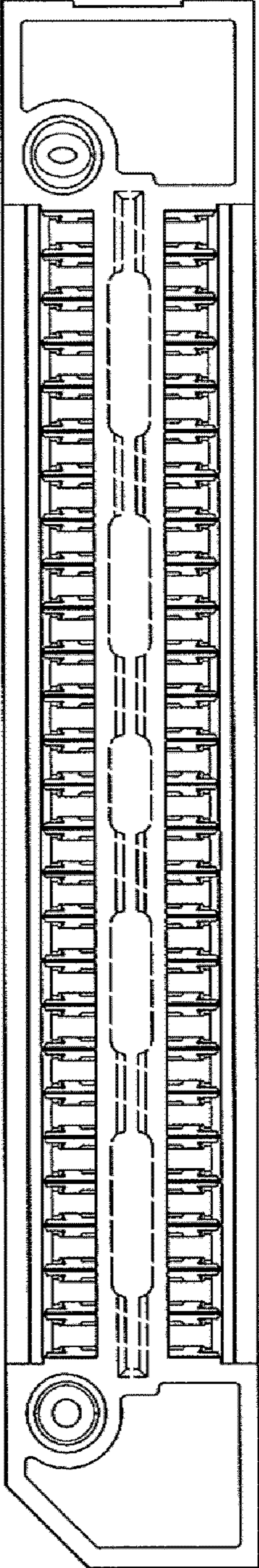




Fig. 5



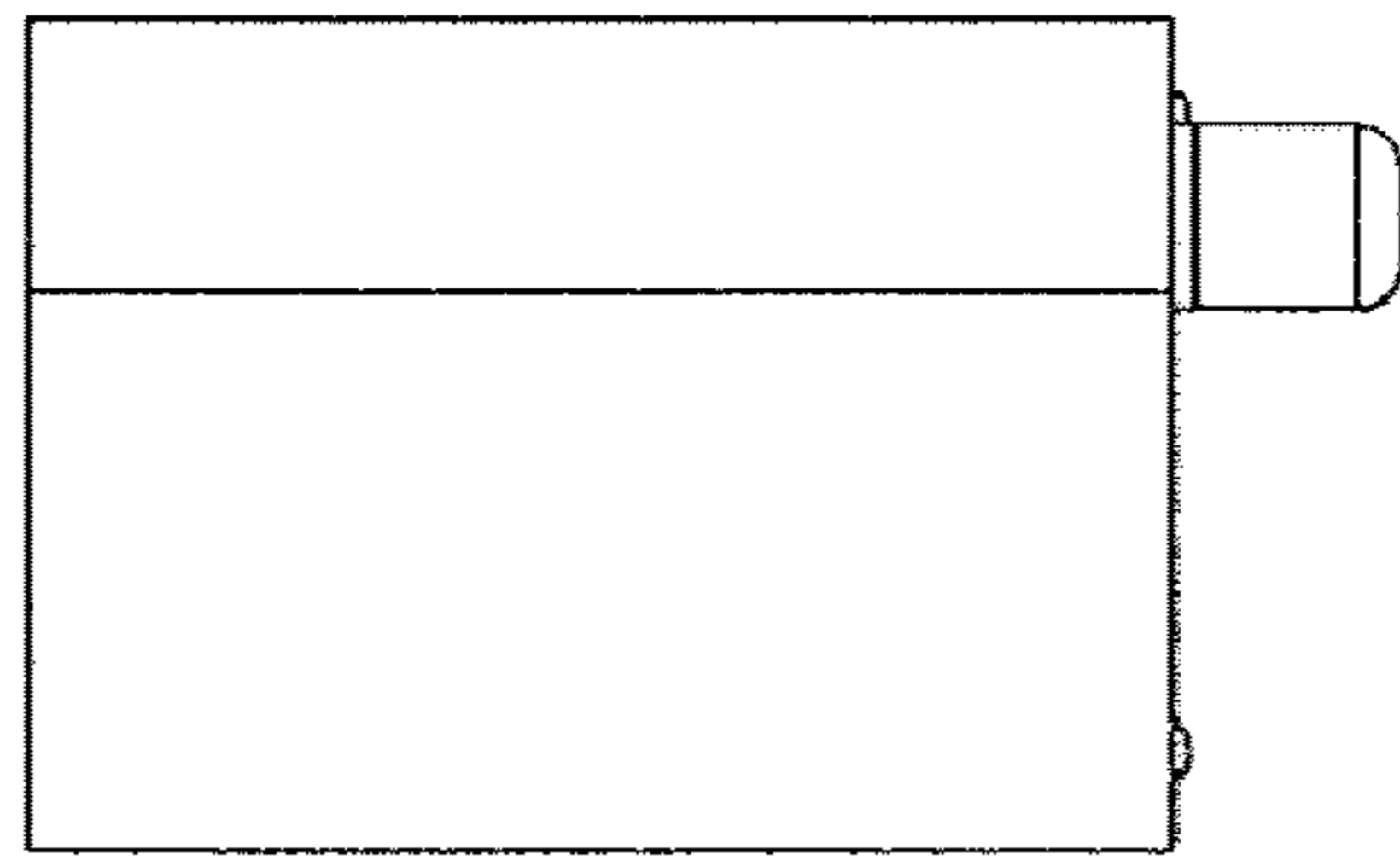


Fig. 6

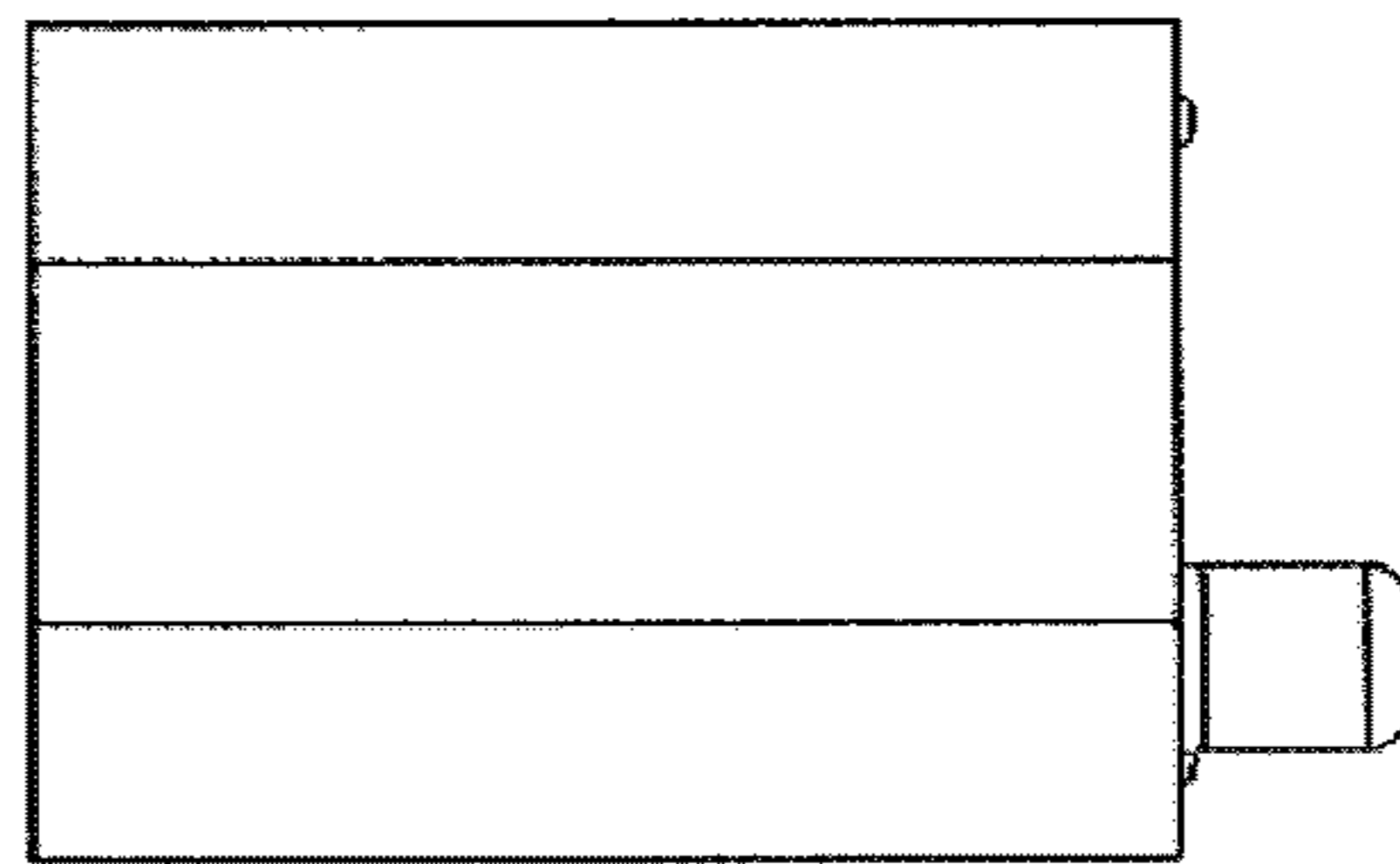


Fig. 7