



US00D678842S

(12) **United States Design Patent**
Shino et al.

(10) **Patent No.:** **US D678,842 S**
(45) **Date of Patent:** **** Mar. 26, 2013**

- (54) **CONNECTOR FOR ELECTRONIC EQUIPMENT**
- (75) Inventors: **Yoshihiko Shino**, Kawasaki (JP); **Takafumi Nishida**, Kyoto (JP); **Daisuke Kumazaki**, Kyoto (JP); **Yuji Hori**, Kyoto (JP); **Junji Takamoto**, Kyoto (JP)
- (73) Assignee: **Nintendo Co., Ltd.**, Osaka (JP)
- (**) Term: **14 Years**
- (21) Appl. No.: **29/407,695**
- (22) Filed: **Dec. 1, 2011**
- (30) **Foreign Application Priority Data**

Jun. 3, 2011 (JP) 2011-012659

- (51) **LOC (9) Cl.** **13-03**
- (52) **U.S. Cl.** **D13/147**
- (58) **Field of Classification Search** D13/133, D13/146, 147, 154, 184, 199; 439/79, 248, 439/258, 274, 350, 352, 353, 354, 357, 358, 439/374, 447, 476.1, 594, 598, 607.01, 607.04, 439/607.05, 607.17, 607.25, 607.34, 607.41, 439/607.53, 656, 660, 668, 680, 711, 745, 439/752

See application file for complete search history.

(56) **References Cited**

U.S. PATENT DOCUMENTS

- D333,293 S 2/1993 Ashida
- D381,628 S 7/1997 Ashida
- D416,538 S * 11/1999 Lok D13/147
- D455,403 S 4/2002 Yoneyama et al.
- D468,692 S 1/2003 Ashida et al.
- D475,018 S 5/2003 Ashida et al.

- D485,533 S * 1/2004 Lin et al. D13/147
- D507,533 S 7/2005 Yoneyama et al.
- D517,990 S * 3/2006 de Jonge et al. D13/147
- D517,994 S * 3/2006 Zhang et al. D13/147
- D518,437 S 4/2006 Yoneyama et al.
- D520,453 S 5/2006 Yoneyama et al.
- D524,753 S * 7/2006 Asakawa et al. D13/147
- 7,121,887 B2 * 10/2006 Zhang et al. 439/607.55
- D533,503 S 12/2006 Ashida et al.
- D535,617 S 1/2007 Yoneyama et al.
- D540,262 S 4/2007 Yoneyama et al.
- D550,159 S 9/2007 Kawanobe
- D558,677 S 1/2008 Ashida et al.
- D558,682 S 1/2008 Ashida et al.
- D568,821 S 5/2008 Ashida et al.
- D586,293 S 2/2009 Fujino
- D586,823 S 2/2009 Anderson et al.
- D601,502 S 10/2009 Miyatake et al.
- D654,877 S * 2/2012 Ohtsuji D13/147

* cited by examiner

Primary Examiner — Daniel Bui

(74) *Attorney, Agent, or Firm* — Nixon & Vanderhye, P.C.

(57) **CLAIM**

The ornamental design for a connector for electronic equipment, as shown and described.

DESCRIPTION

FIG. 1 is front, right and bottom perspective view of a connector for electronic equipment showing our new design; FIG. 2 is rear, left and top perspective view thereof; FIG. 3 is a front view thereof; FIG. 4 is a rear view thereof; FIG. 5 is a top plan view thereof; FIG. 6 is a bottom plan view thereof; and, FIG. 7 is a right side view thereof, a left side view being a mirror image thereof.

1 Claim, 3 Drawing Sheets

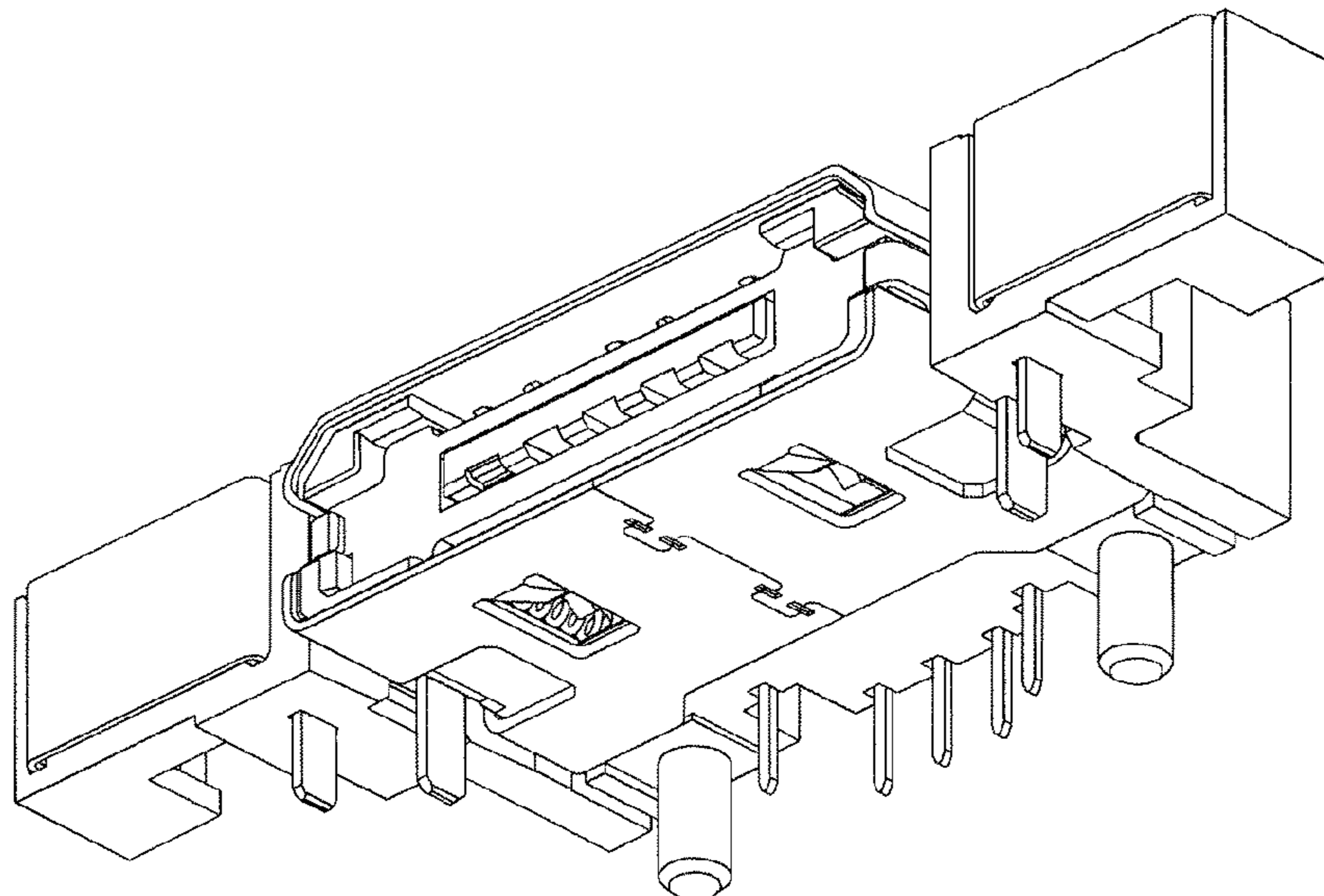


FIG. 1

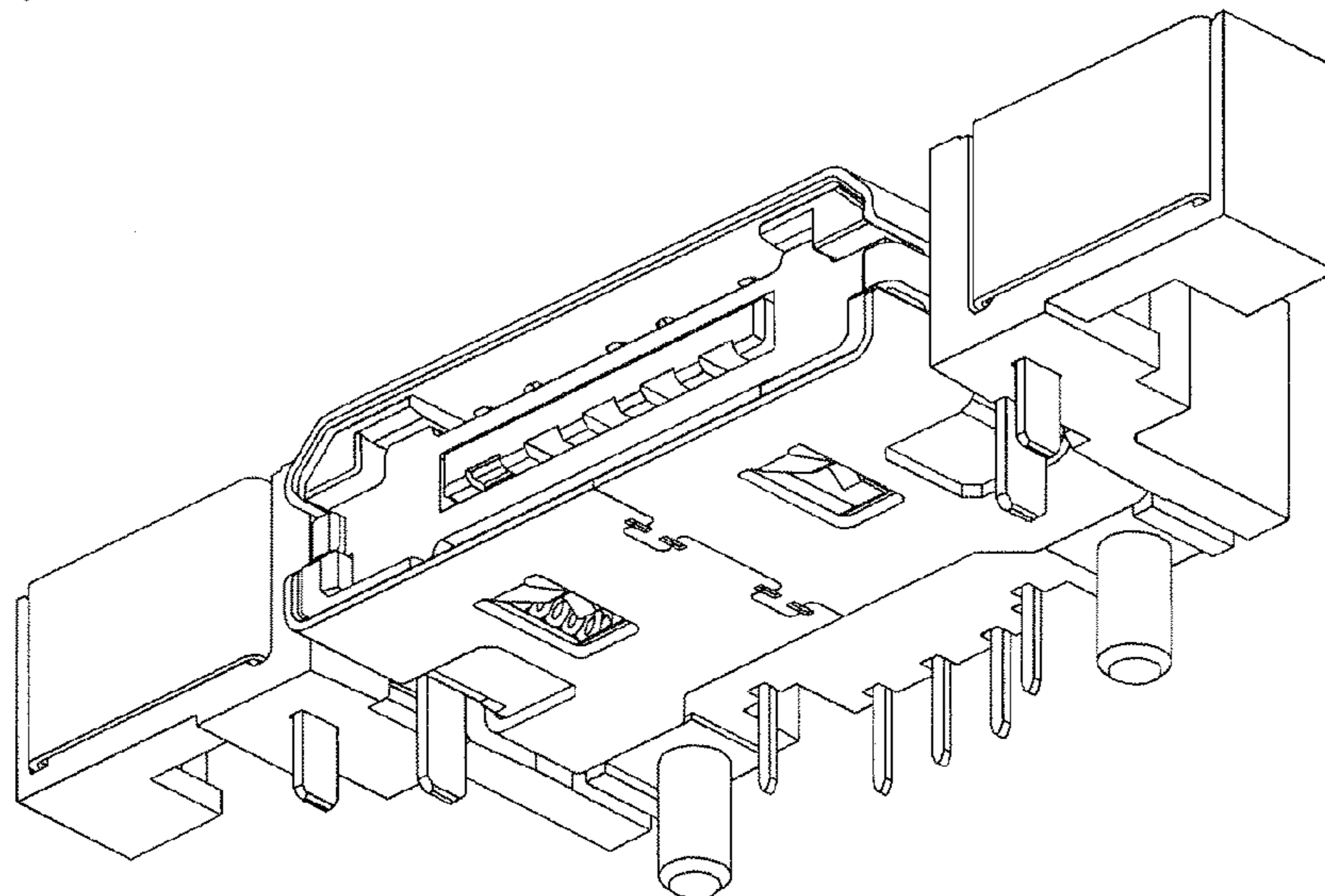


FIG. 2

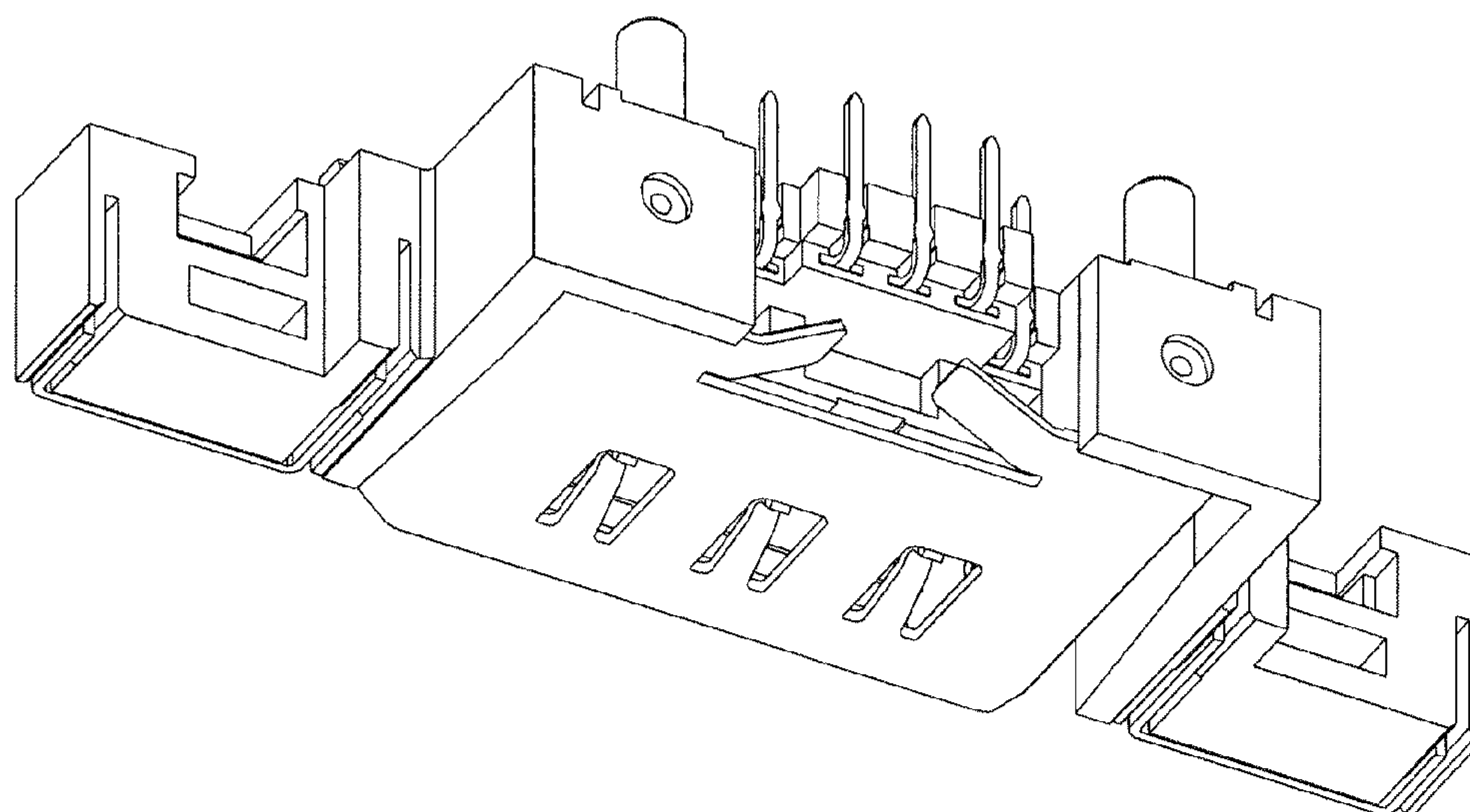


FIG. 3

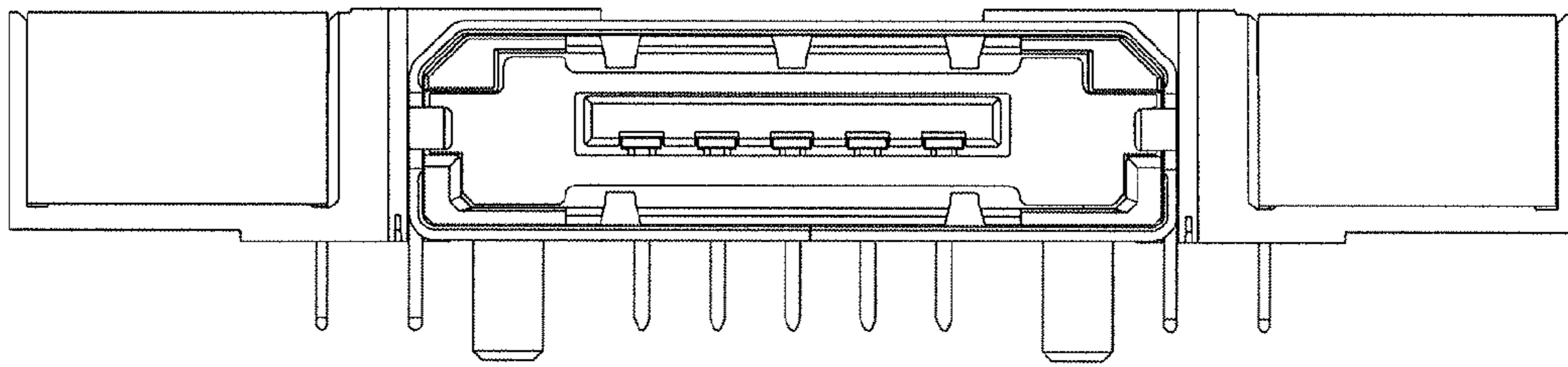


FIG. 4

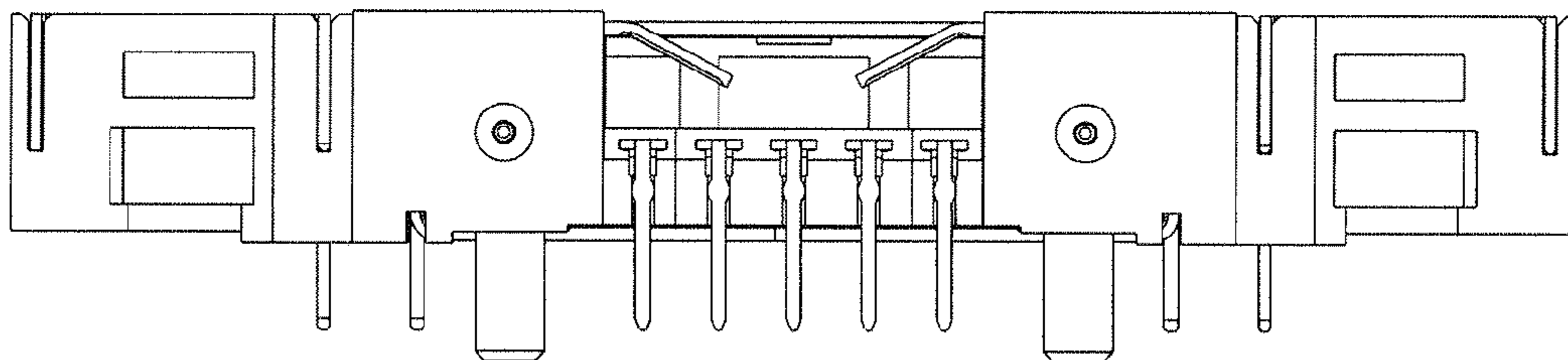


FIG. 5

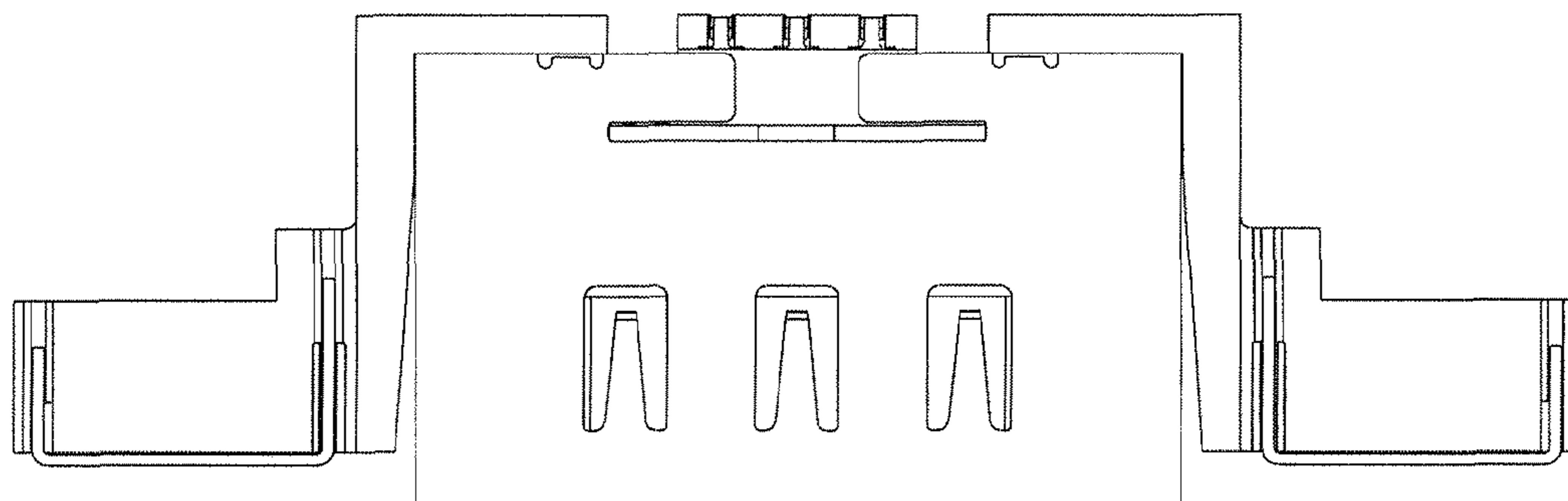


FIG. 6

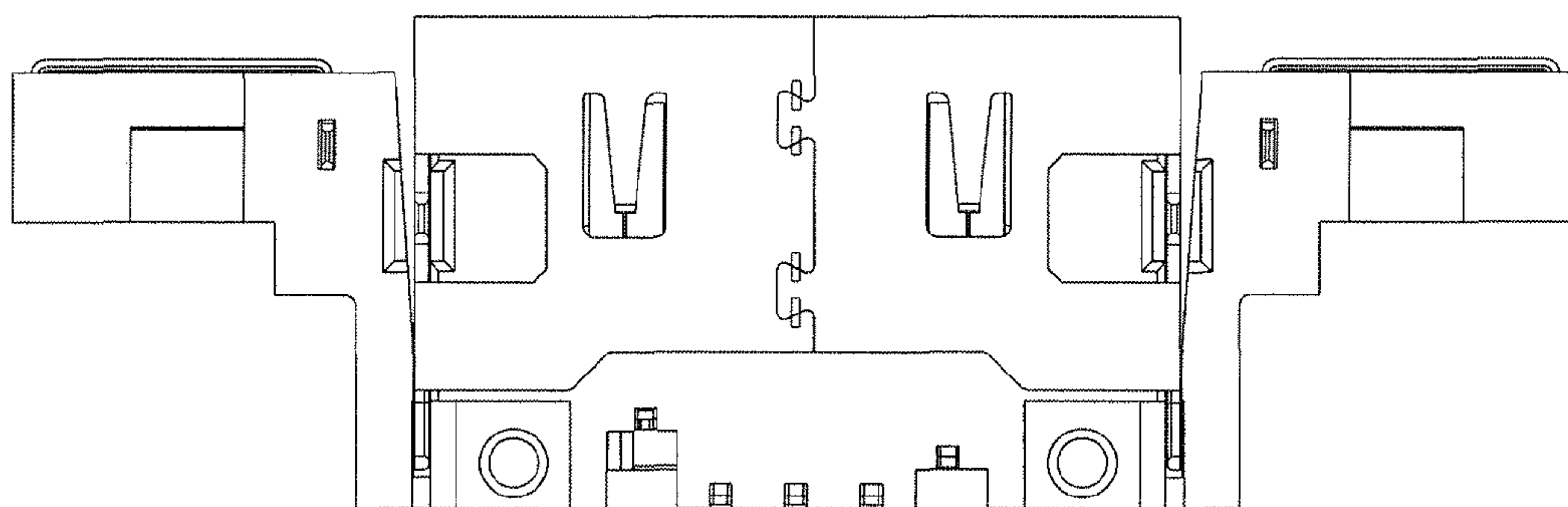


FIG. 7

