



US00D678840S

(12) **United States Design Patent**
DeCosta

(10) **Patent No.:** **US D678,840 S**
(45) **Date of Patent:** **** Mar. 26, 2013**

(54) **POSITIONABLE POWER RECEPTACLE**

(76) Inventor: **Thomas J. DeCosta**, Westport, MA (US)

(**) Term: **14 Years**

(21) Appl. No.: **29/372,234**

(22) Filed: **Oct. 30, 2010**

(51) **LOC (9) Cl.** **13-03**

(52) **U.S. Cl.** **D13/137.1**

(58) **Field of Classification Search** D13/184,
D13/156, 155, 154, 153, 152, 147, 139.1-139.4,
D13/137.1-137.4, 133; 600/166; 439/675,
439/668, 623, 578, 502, 106; 385/77; 174/151,
174/138 F, 113 R

See application file for complete search history.

(56) **References Cited**

U.S. PATENT DOCUMENTS

6,923,688 B1 * 8/2005 Burson et al. 439/675
D523,811 S * 6/2006 Pinson D13/137.2
2011/0295071 A1 * 12/2011 Sjostrom et al. 600/166

* cited by examiner

Primary Examiner — Susan Bennett Hattan

(57) **CLAIM**

The ornamental design for a positionable power receptacle, as shown and described.

DESCRIPTION

FIG. 1 is a front view of the positionable power receptacle employing our new design;

FIG. 2 is a front view of an alternative embodiment of FIG. 1;

FIG. 3 is a side perspective view of FIG. 1;

FIG. 4 is a side perspective view of FIG. 2;

FIG. 5 illustrates the invention of FIG. 1 after in-wall installation;

FIG. 6 illustrates the invention of FIG. 2 after in-wall installation;

FIG. 7 is an alternative embodiment of FIG. 1;

FIG. 8 is an alternative embodiment of FIG. 2;

FIG. 9 is a side perspective view of FIG. 7;

FIG. 10 is a side perspective view of FIG. 8;

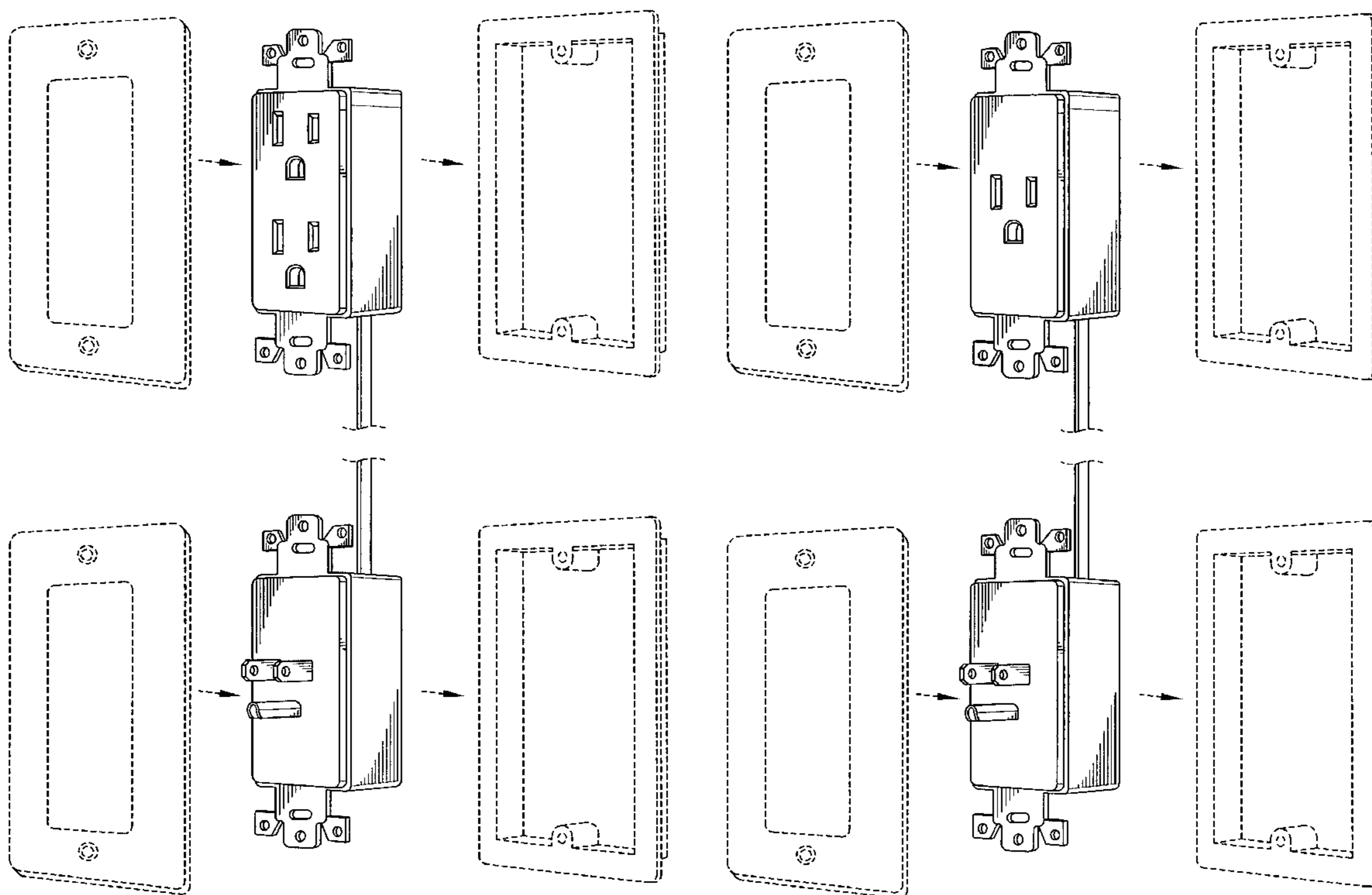
FIG. 11 illustrates the invention of FIG. 7 after in-wall installation; and,

FIG. 12 illustrates the invention of FIG. 8 after in-wall installation.

The broken lines depict environmental subject matter only and form no part of the claimed design.

The positionable power receptacle is shown with a symbolic break in its length. The appearance of any portion of the article between the break lines forms no part of the claimed design.

1 Claim, 12 Drawing Sheets



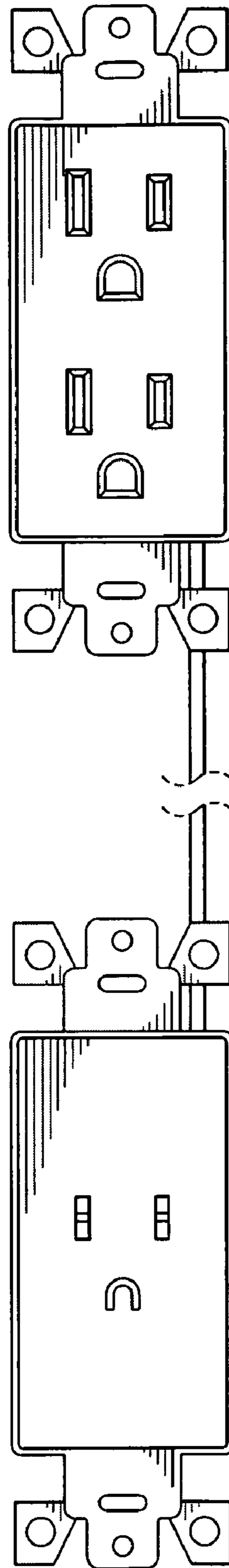


FIG. 1

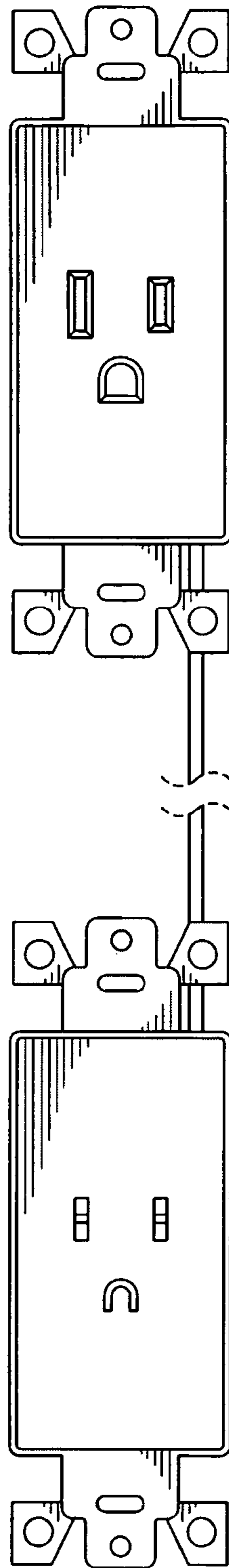


FIG. 2

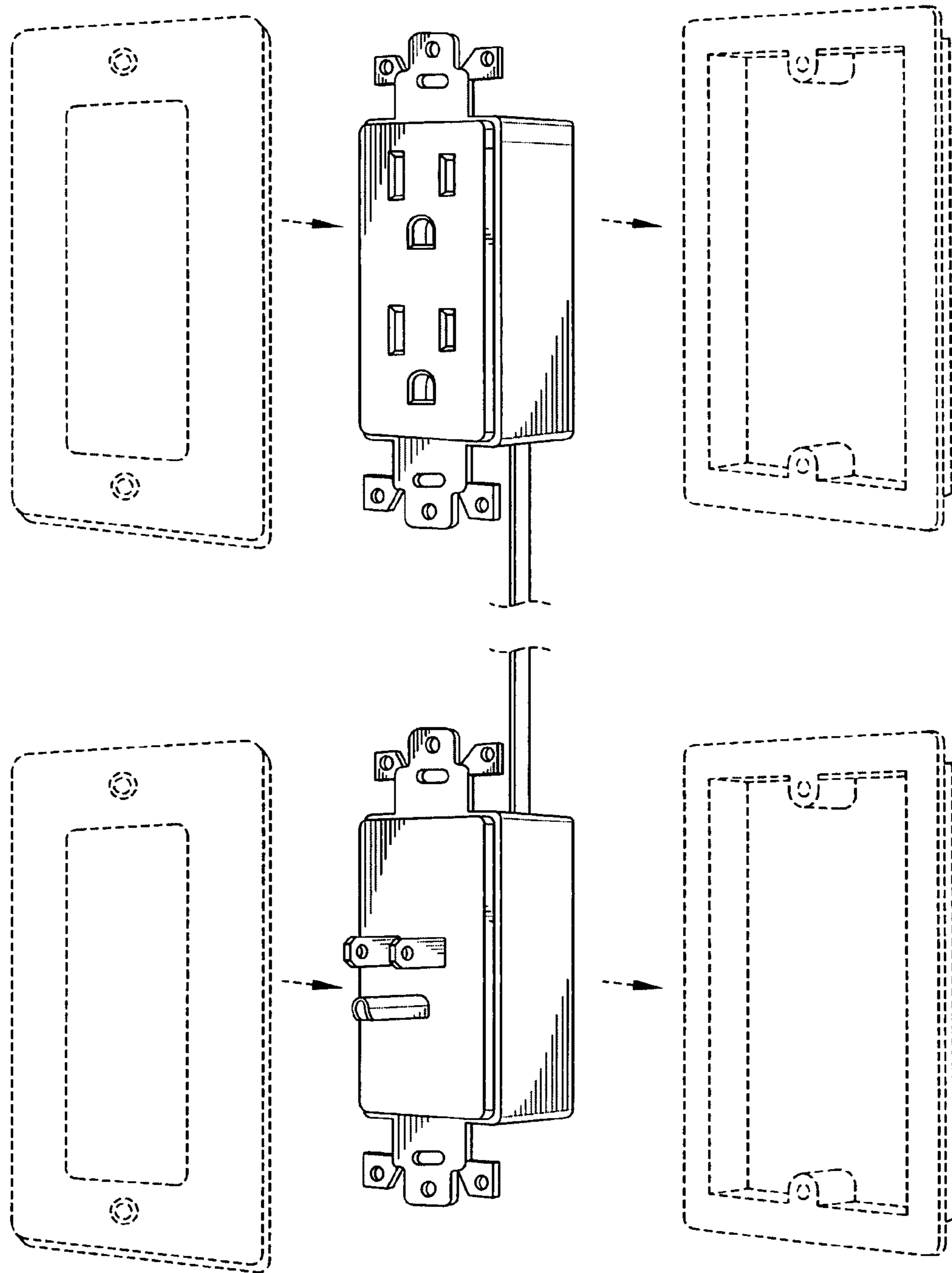


FIG. 3

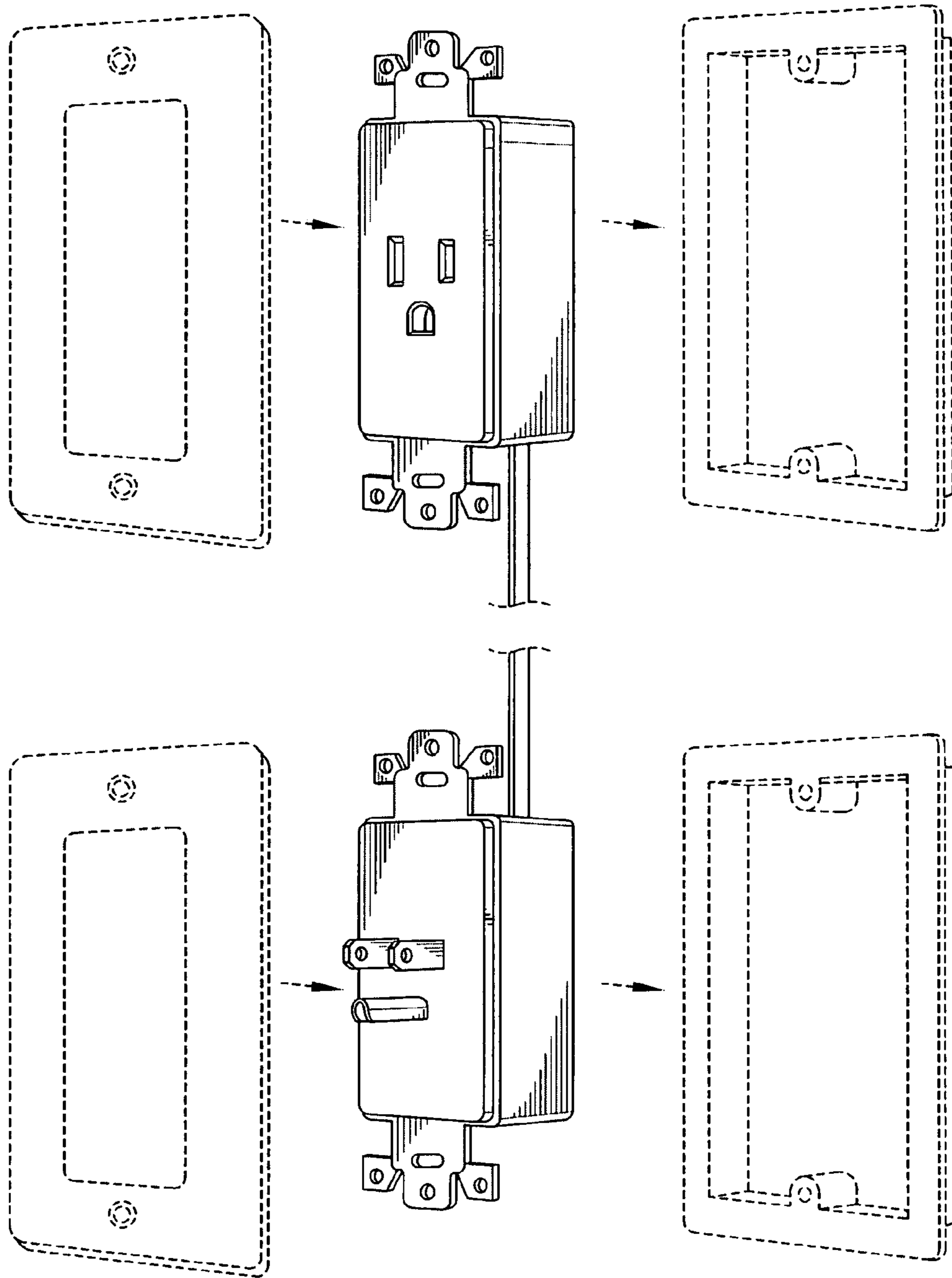


FIG. 4

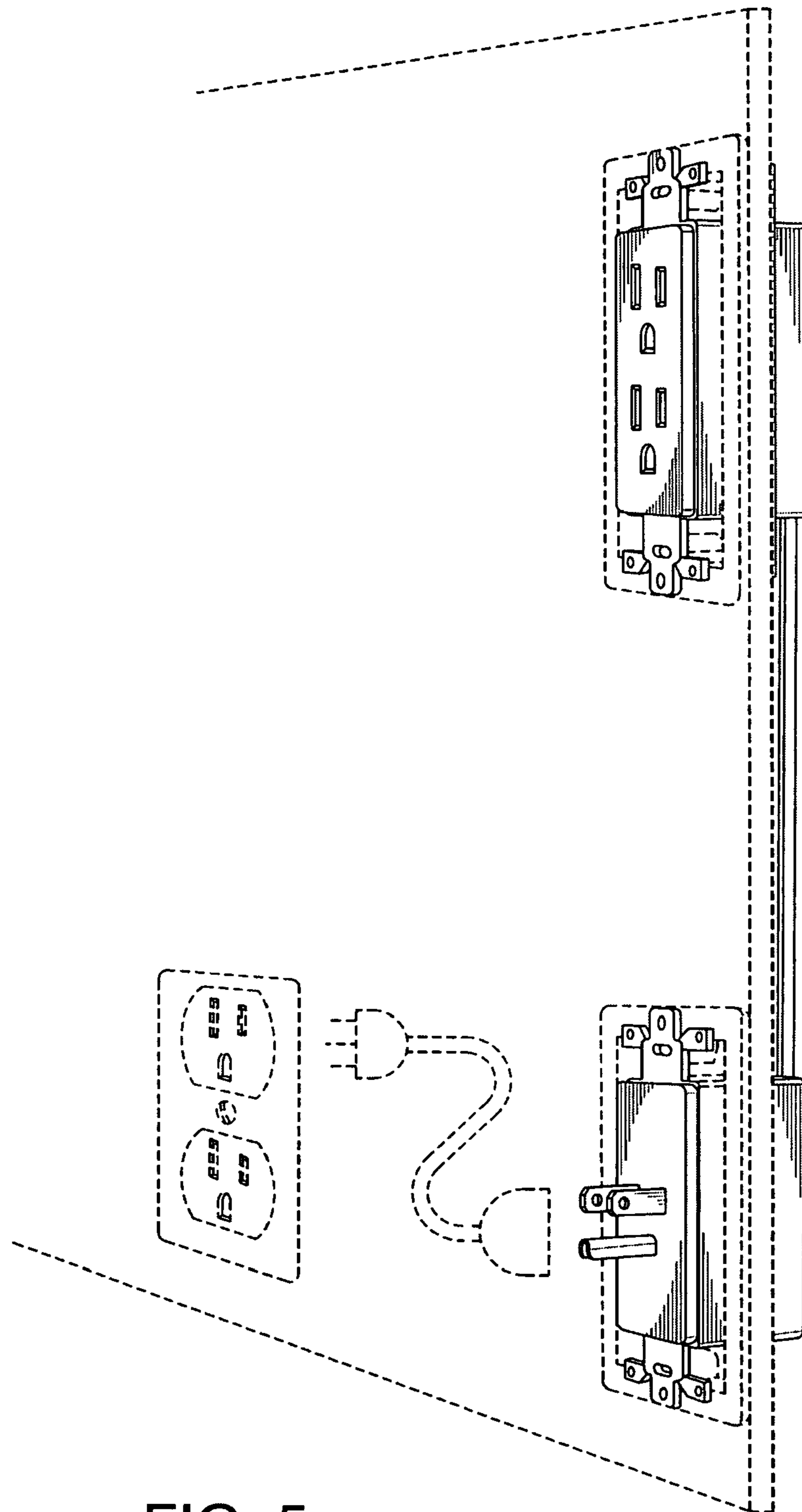


FIG. 5

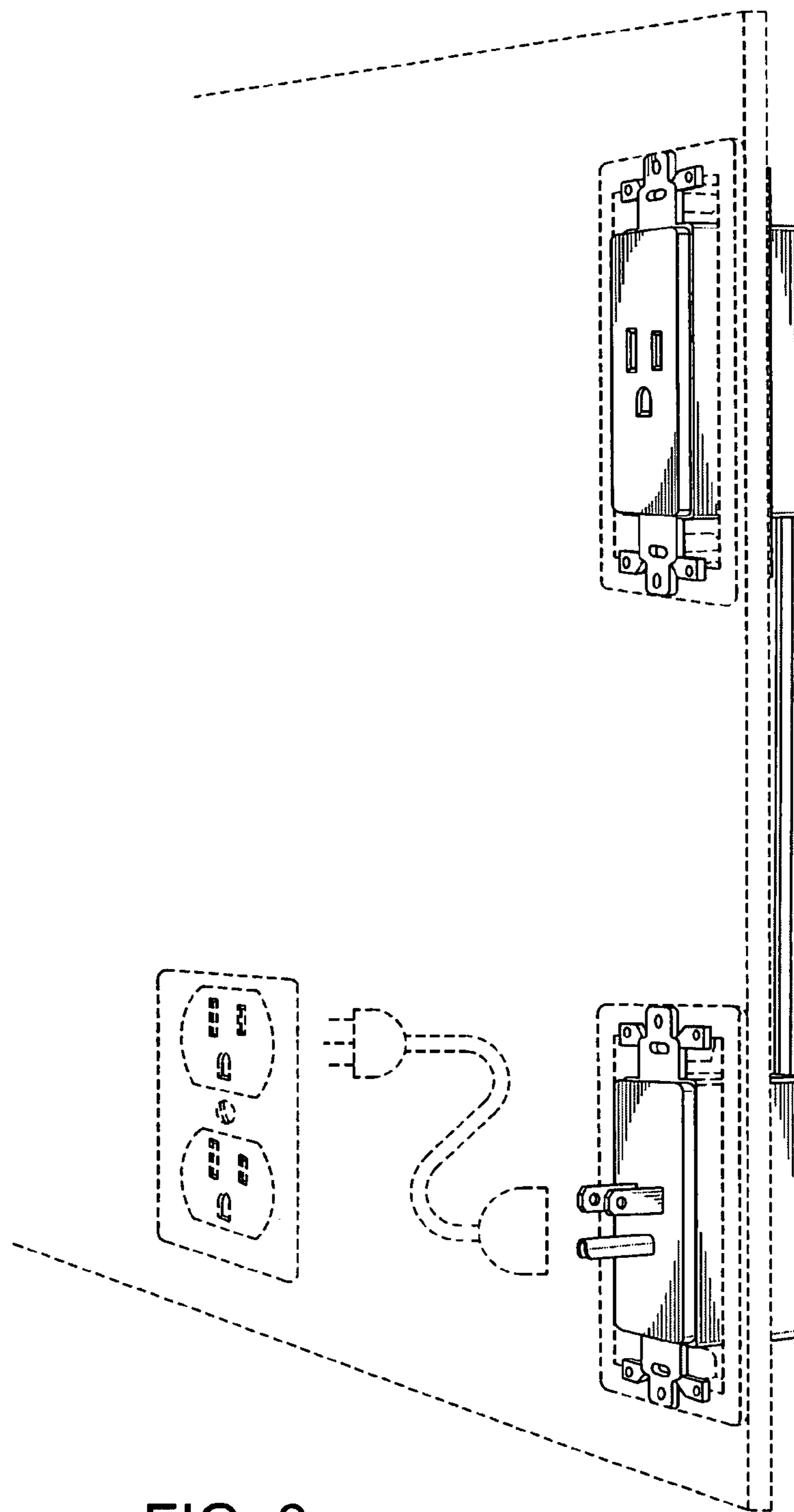


FIG. 6

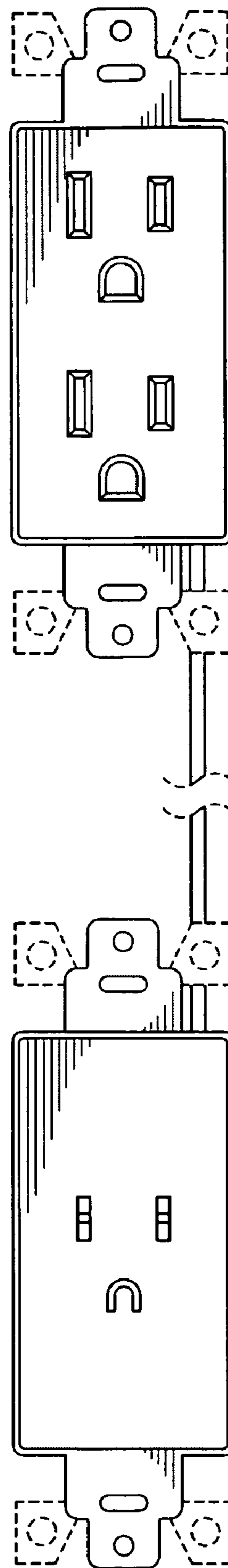


FIG. 7

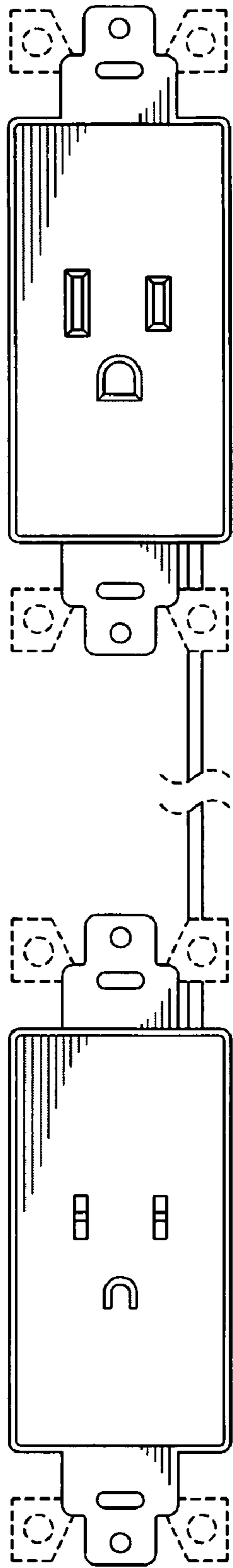


FIG. 8

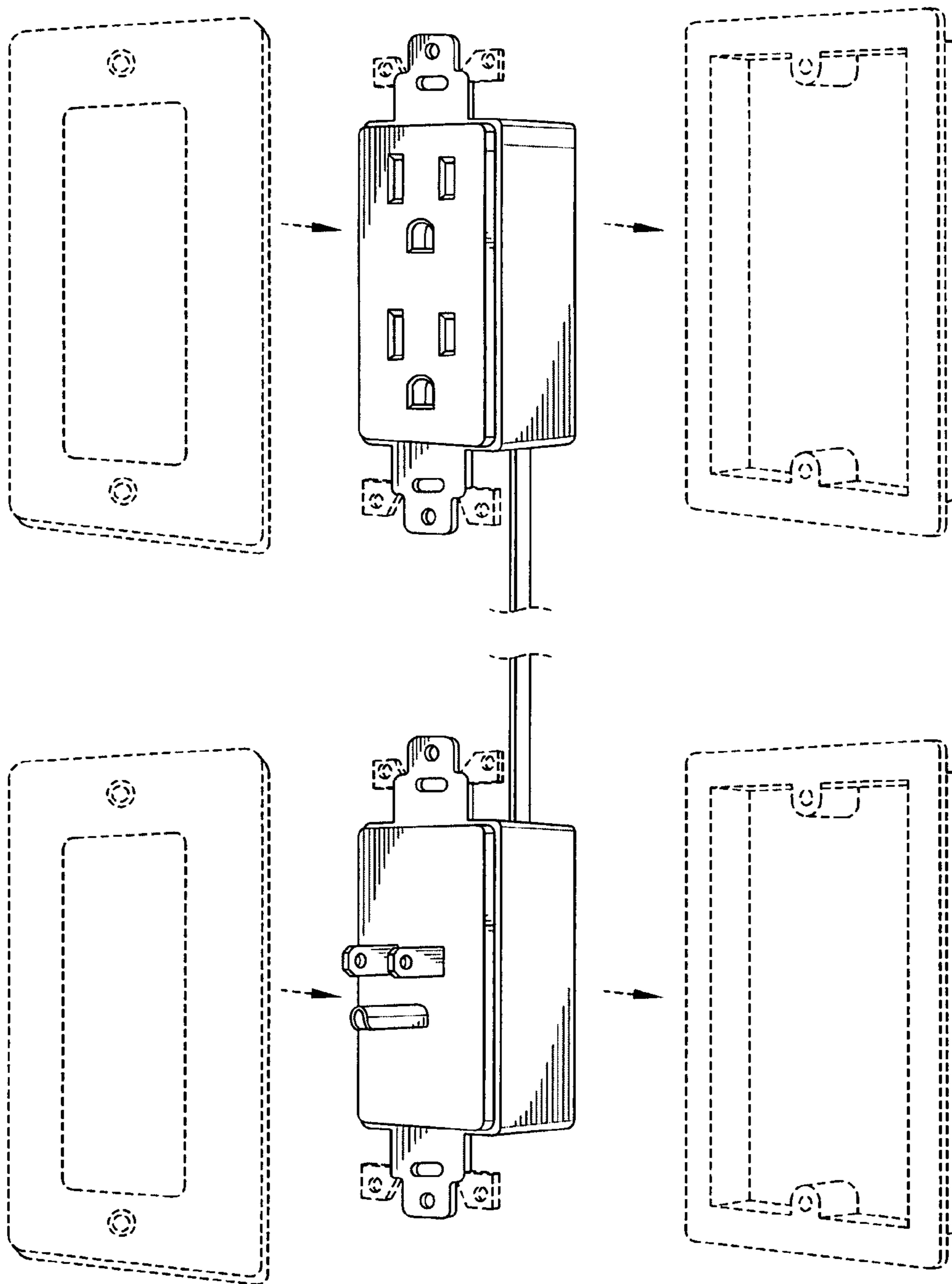


FIG. 9

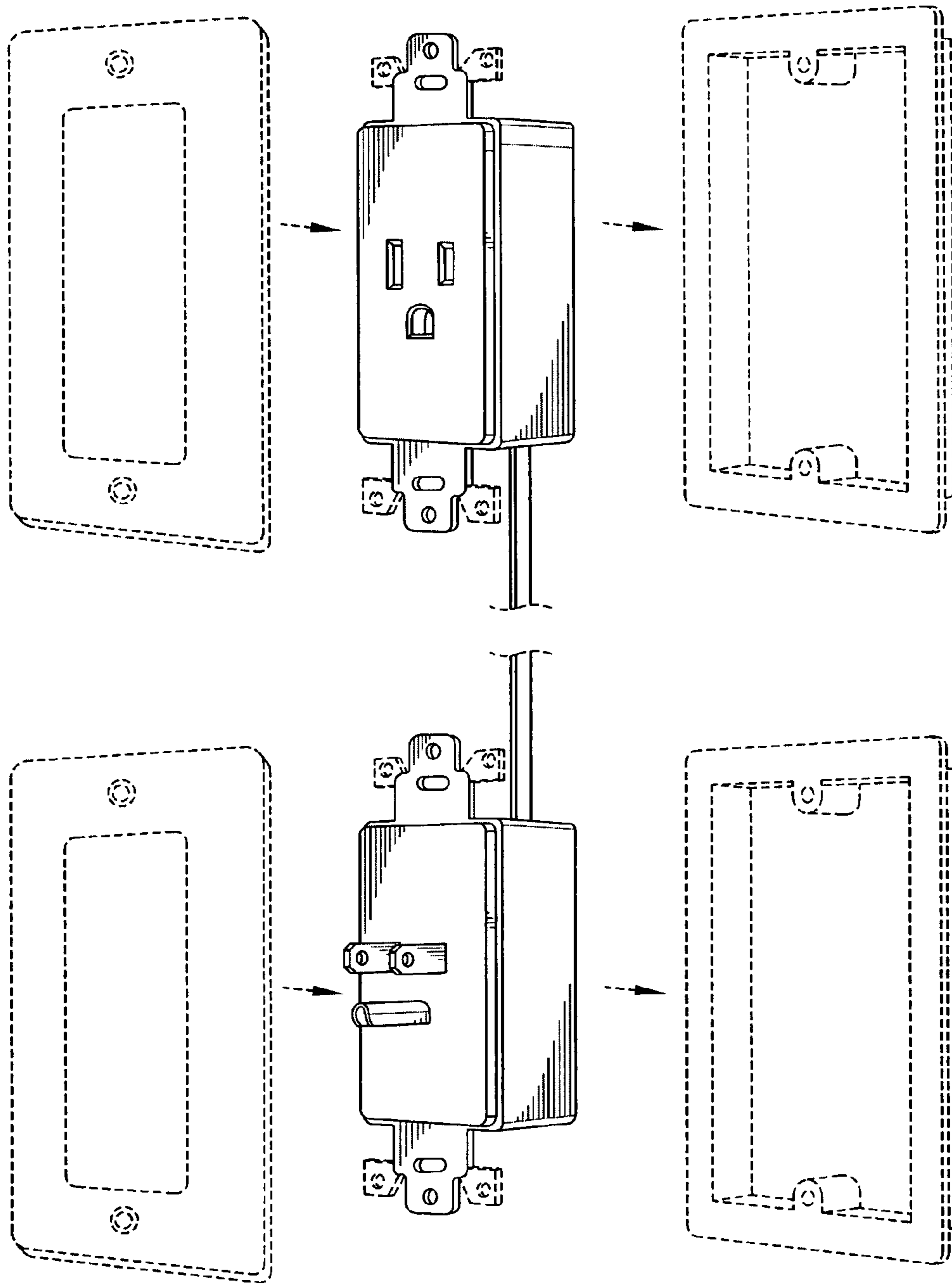


FIG. 10

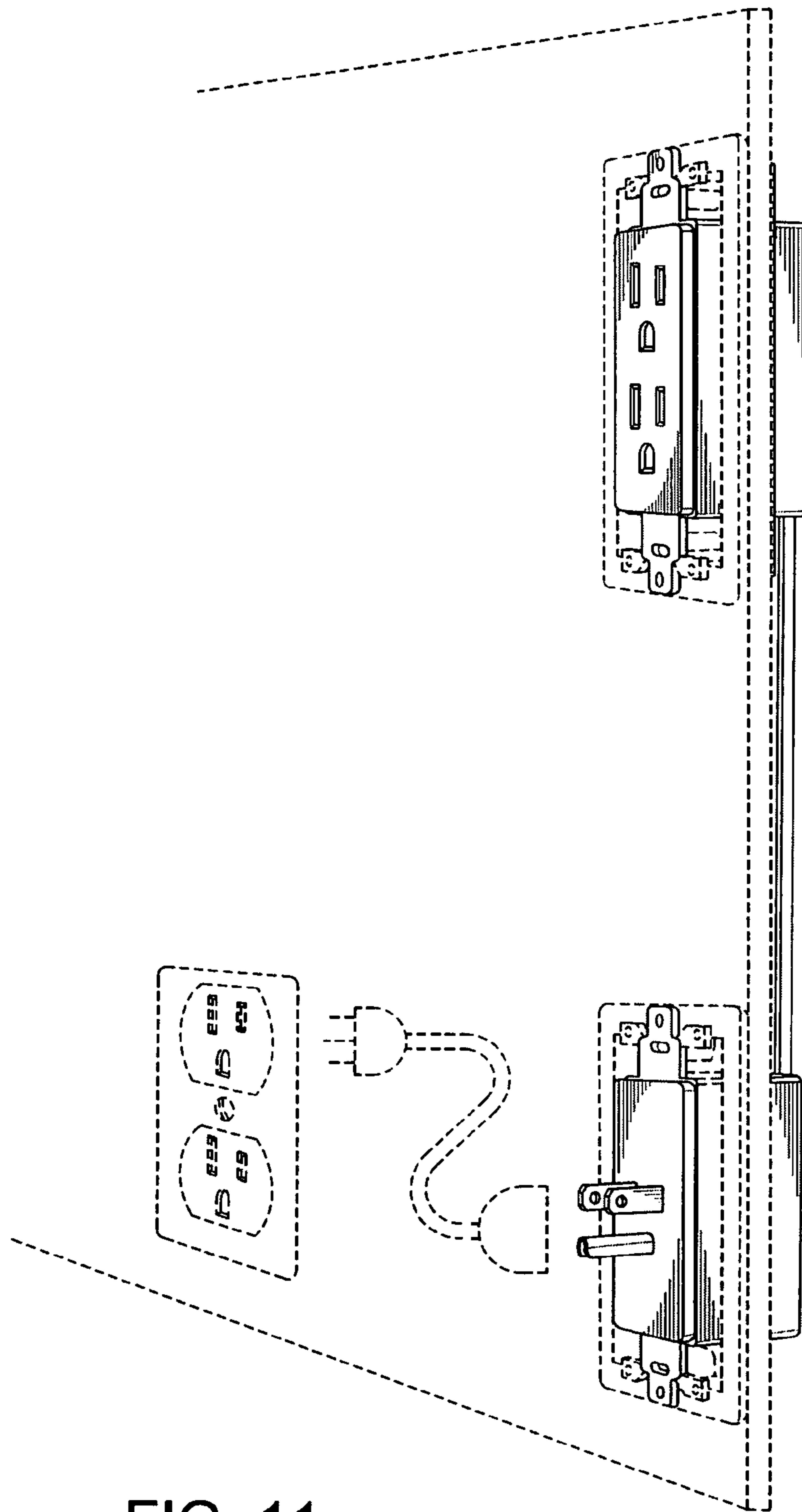


FIG. 11

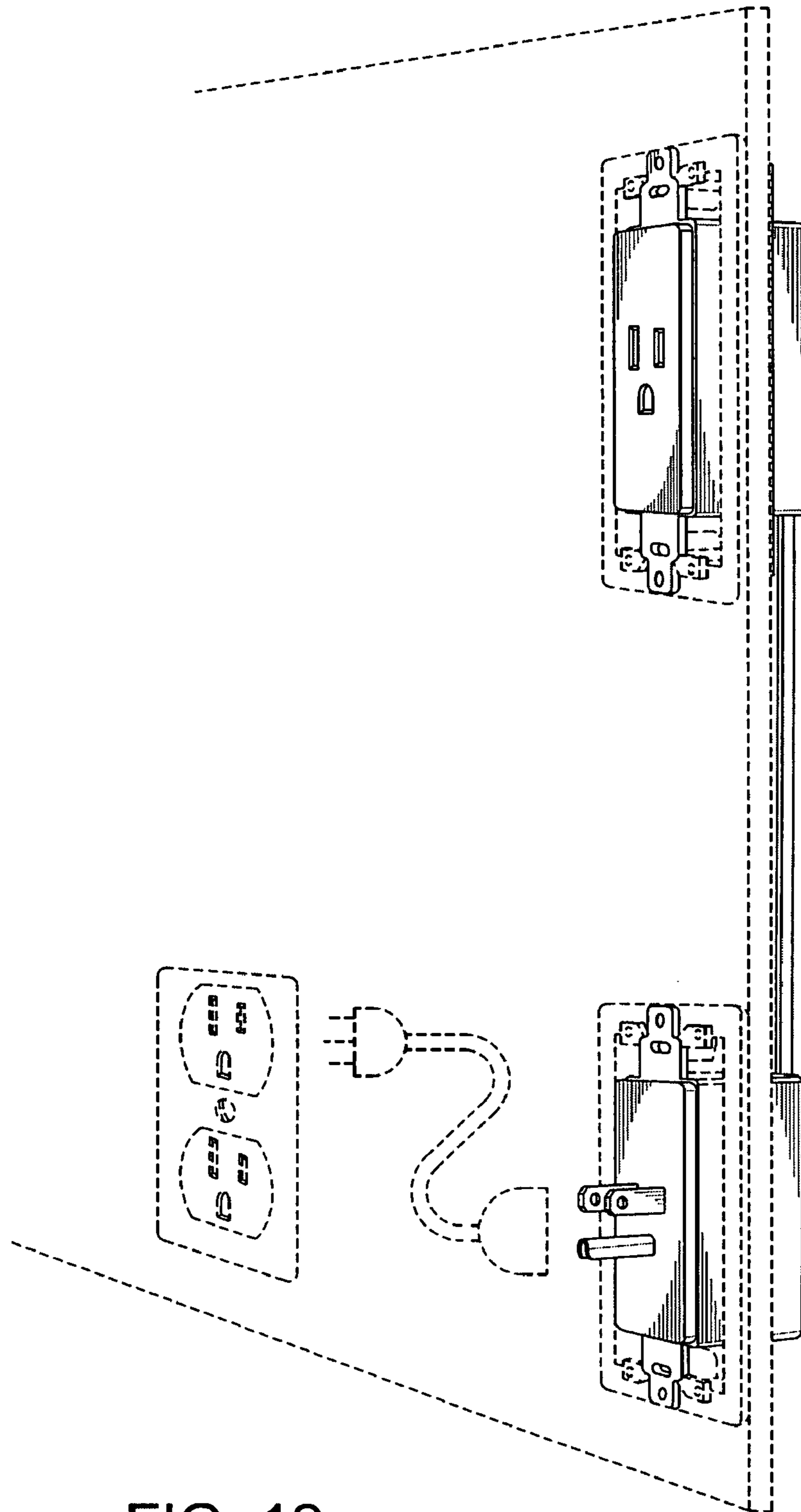


FIG. 12