



US00D678839S

(12) **United States Design Patent**
Cho

(10) **Patent No.:** **US D678,839 S**
(45) **Date of Patent:** **** Mar. 26, 2013**

(54) **CONNECTOR OF LED BULB**
(75) Inventor: **Byung-Hee Cho**, Kyungsangbuk-Do (KR)
(73) Assignee: **Tyco Electronics AMP Korea Ltd.**, Kyungsangbuk-Do (KR)
(**) Term: **14 Years**
(21) Appl. No.: **29/394,400**
(22) Filed: **Jun. 16, 2011**
(30) **Foreign Application Priority Data**

D479,197 S * 9/2003 Zhang et al. D13/146
D495,998 S * 9/2004 Shimaya et al. D13/147
D584,229 S * 1/2009 Yang et al. D13/146

* cited by examiner

Primary Examiner — Thomas Johannes
(74) *Attorney, Agent, or Firm* — Barley Snyder

(57) **CLAIM**
The connector of an LED bulb, as shown and described.

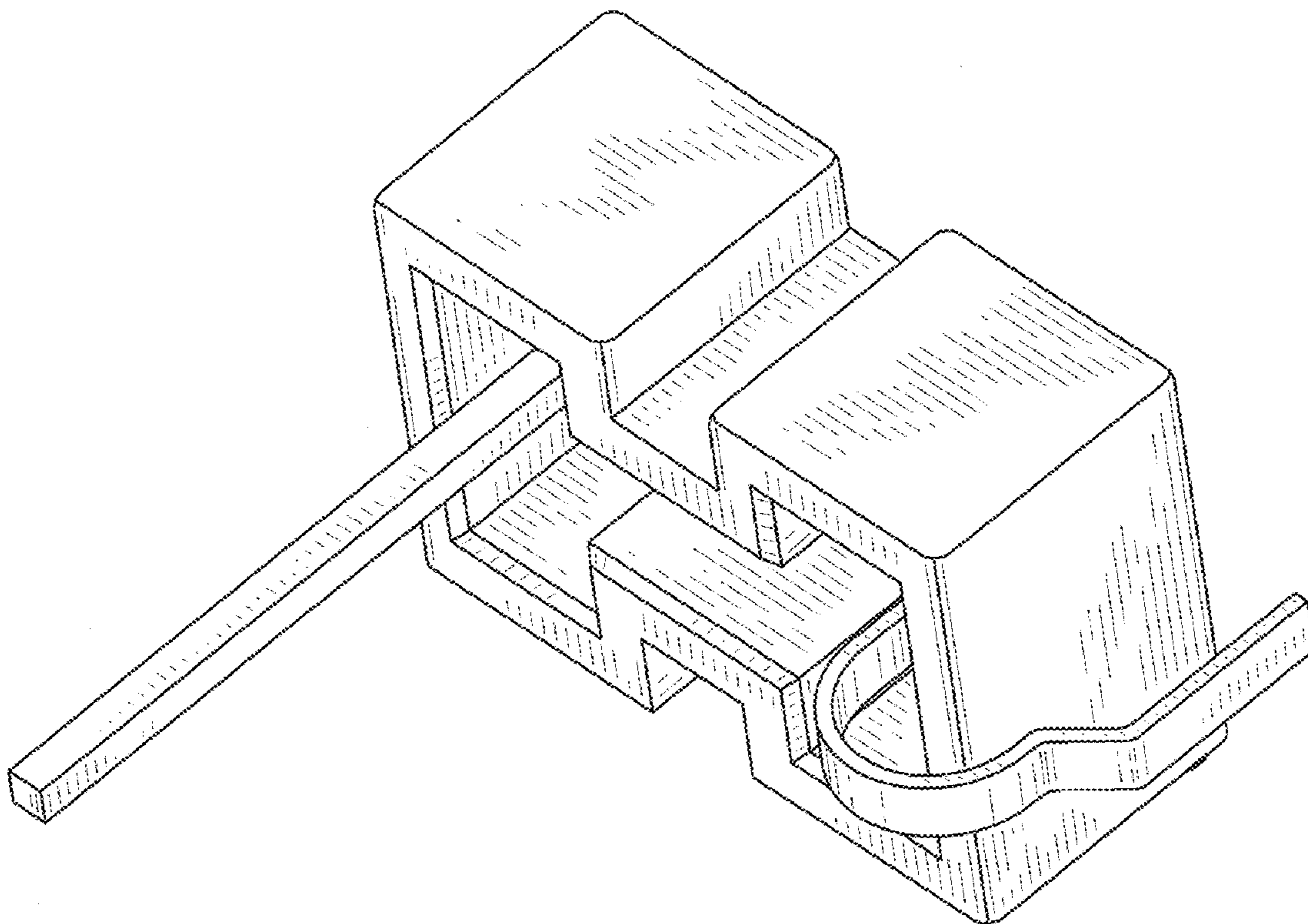
Dec. 17, 2010 (KR) 30-2010-0054871
(51) **LOC (9) Cl.** **13-03**
(52) **U.S. Cl.** **D13/133**
(58) **Field of Classification Search** D13/133,
D13/146, 147, 154, 184; 439/78-80, 374,
439/660, 680, 695
See application file for complete search history.

DESCRIPTION

FIG. 1 is a top, front and right side view of a connector for an LED bulb, showing my new design;
FIG. 2 is a front plan view thereof;
FIG. 3 is a rear plan view thereof;
FIG. 4 is a left-side elevation view thereof;
FIG. 5 is a right side elevation view thereof;
FIG. 6 is a top plan view thereof; and,
FIG. 7 is a bottom plan view thereof.

(56) **References Cited**
U.S. PATENT DOCUMENTS
D444,769 S * 7/2001 Kishi D13/133

1 Claim, 7 Drawing Sheets



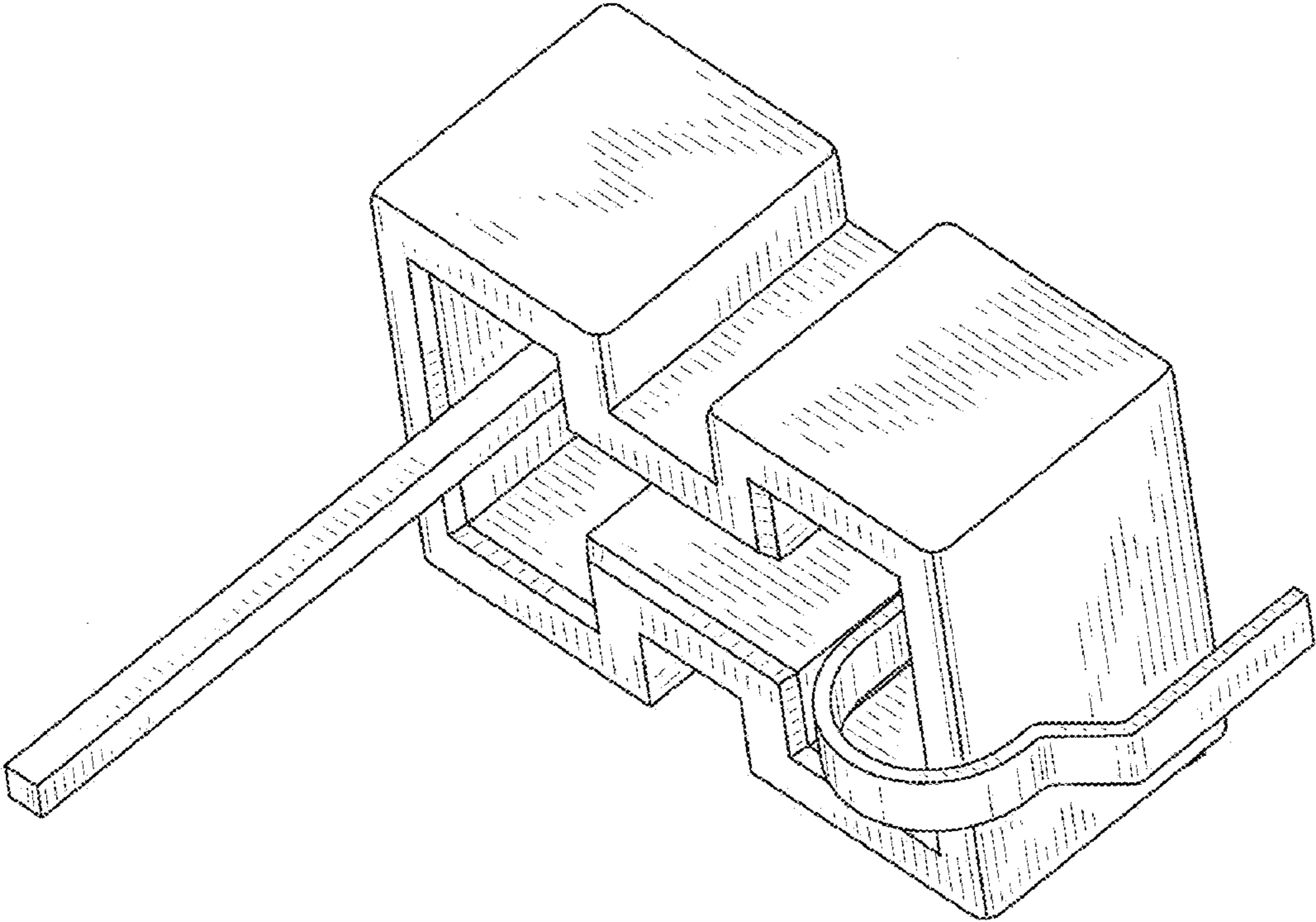


FIG. 1

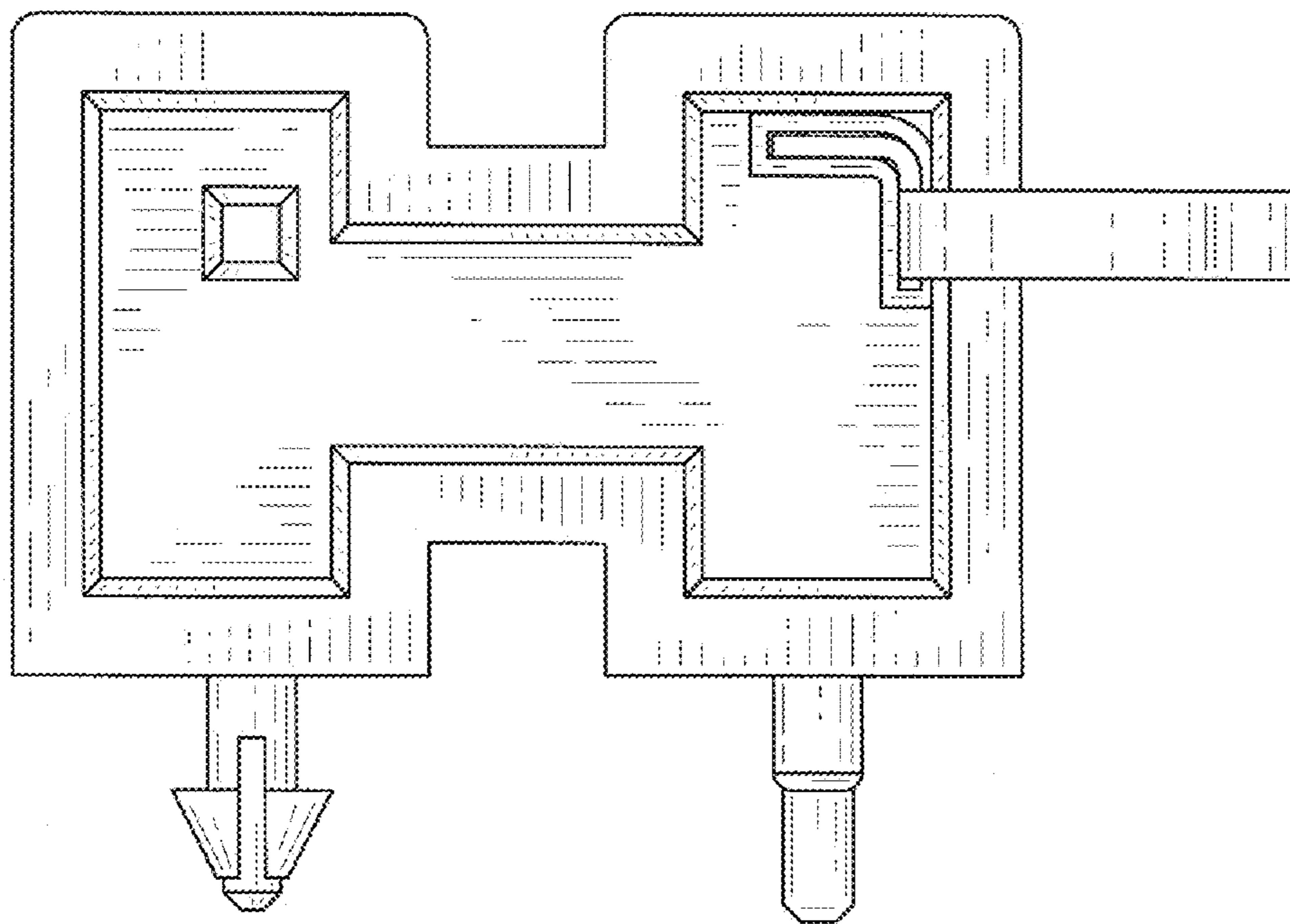


FIG. 2

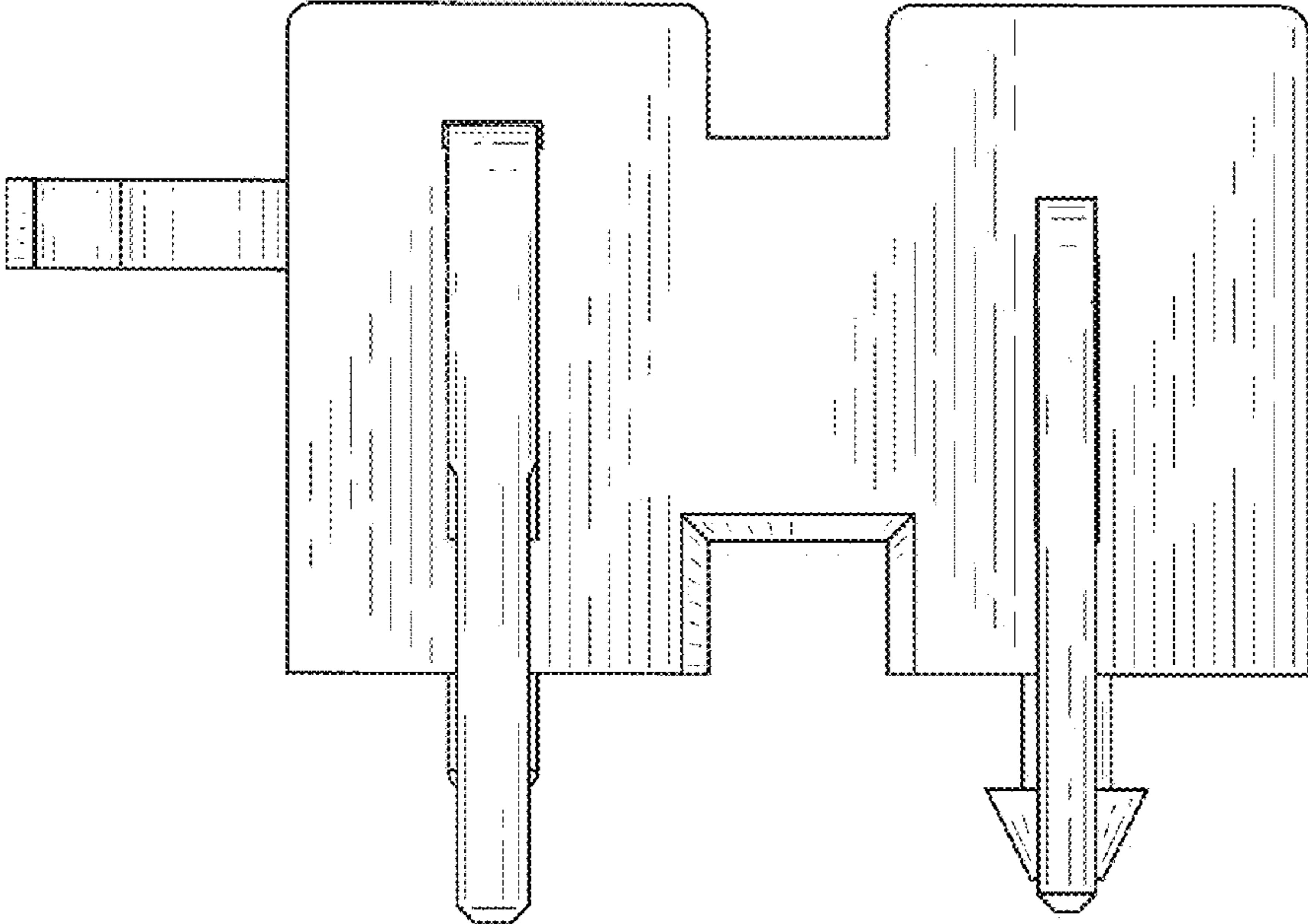


FIG. 3

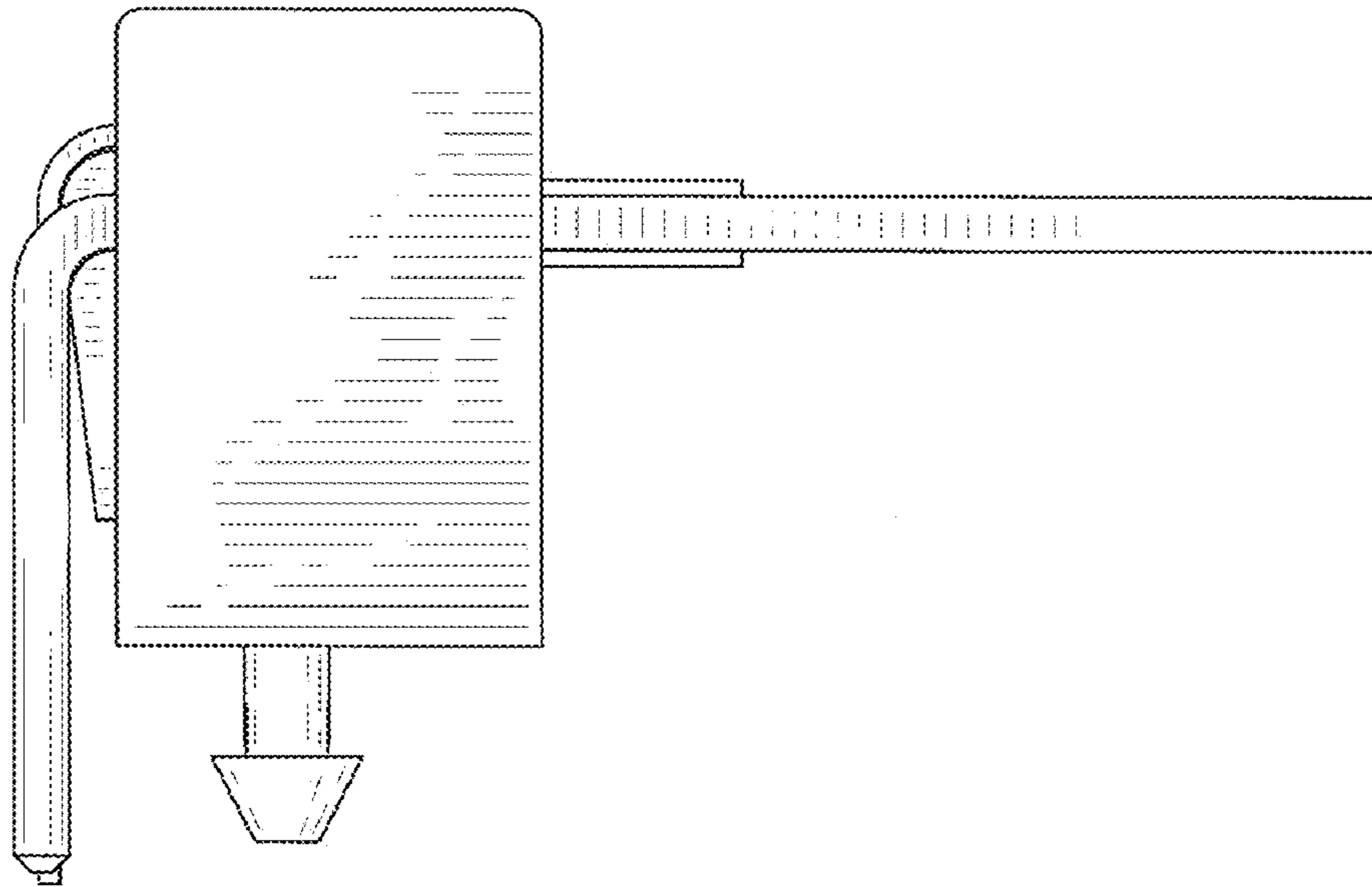


FIG. 4

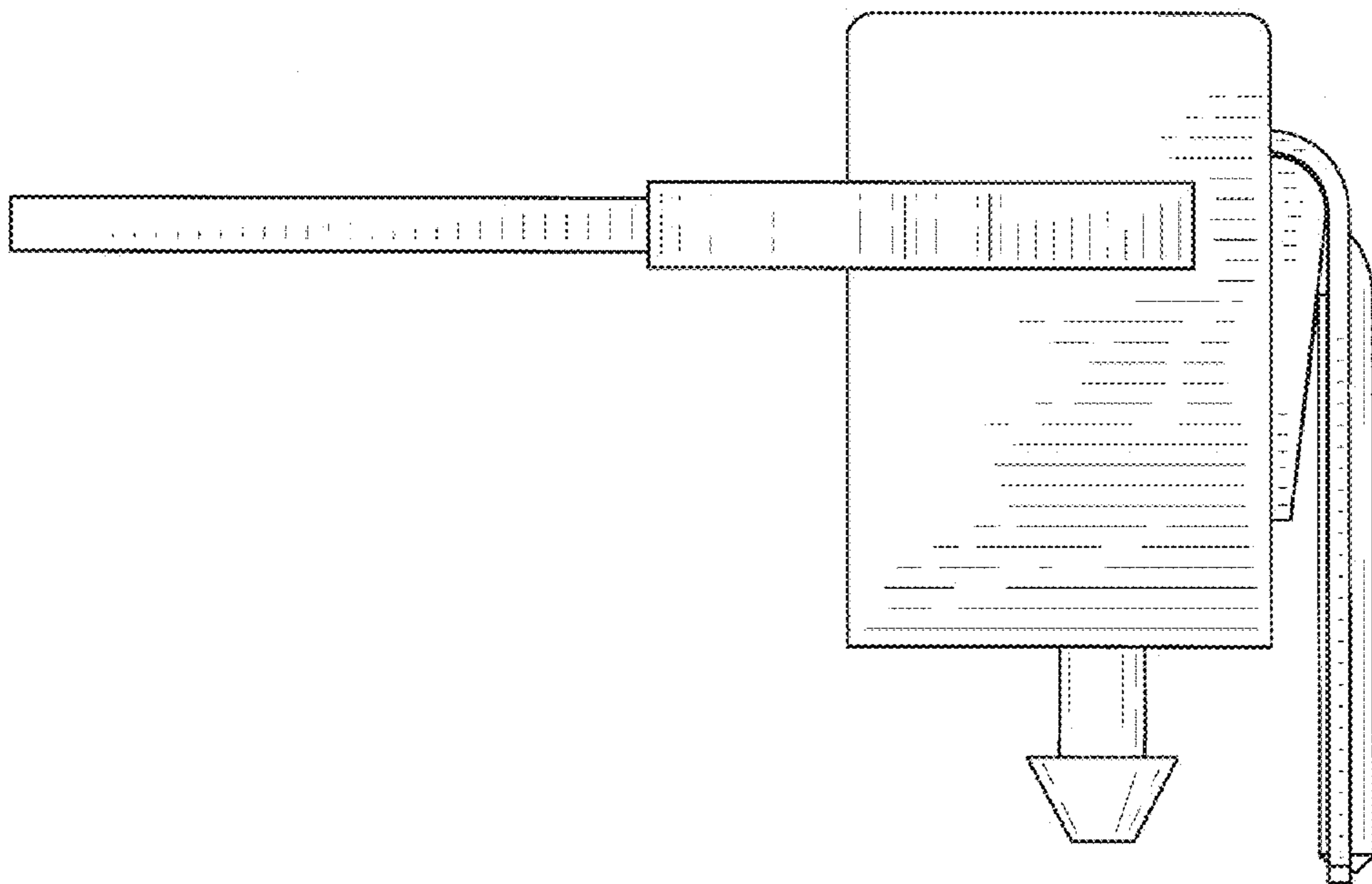


FIG. 5

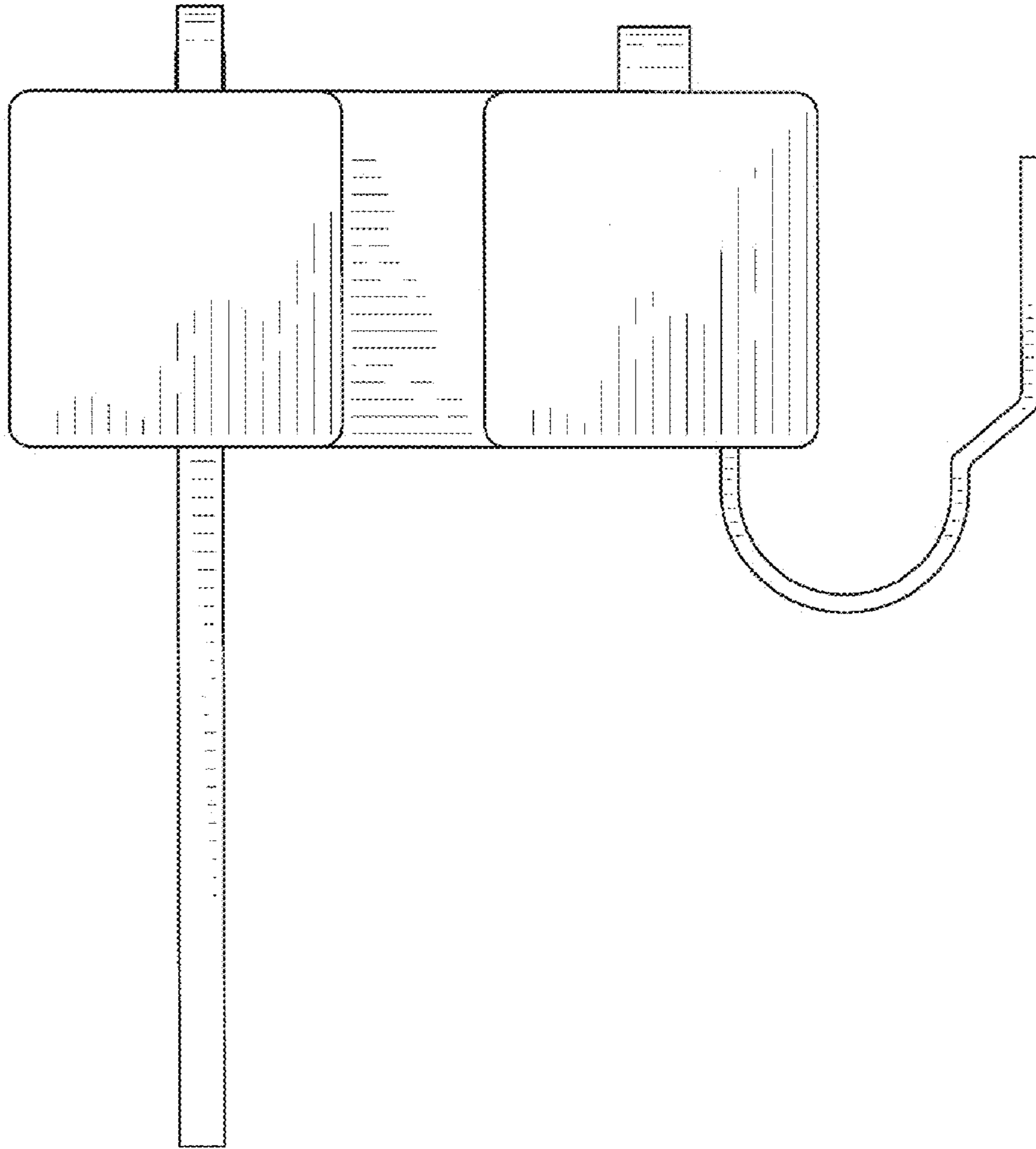


FIG. 6

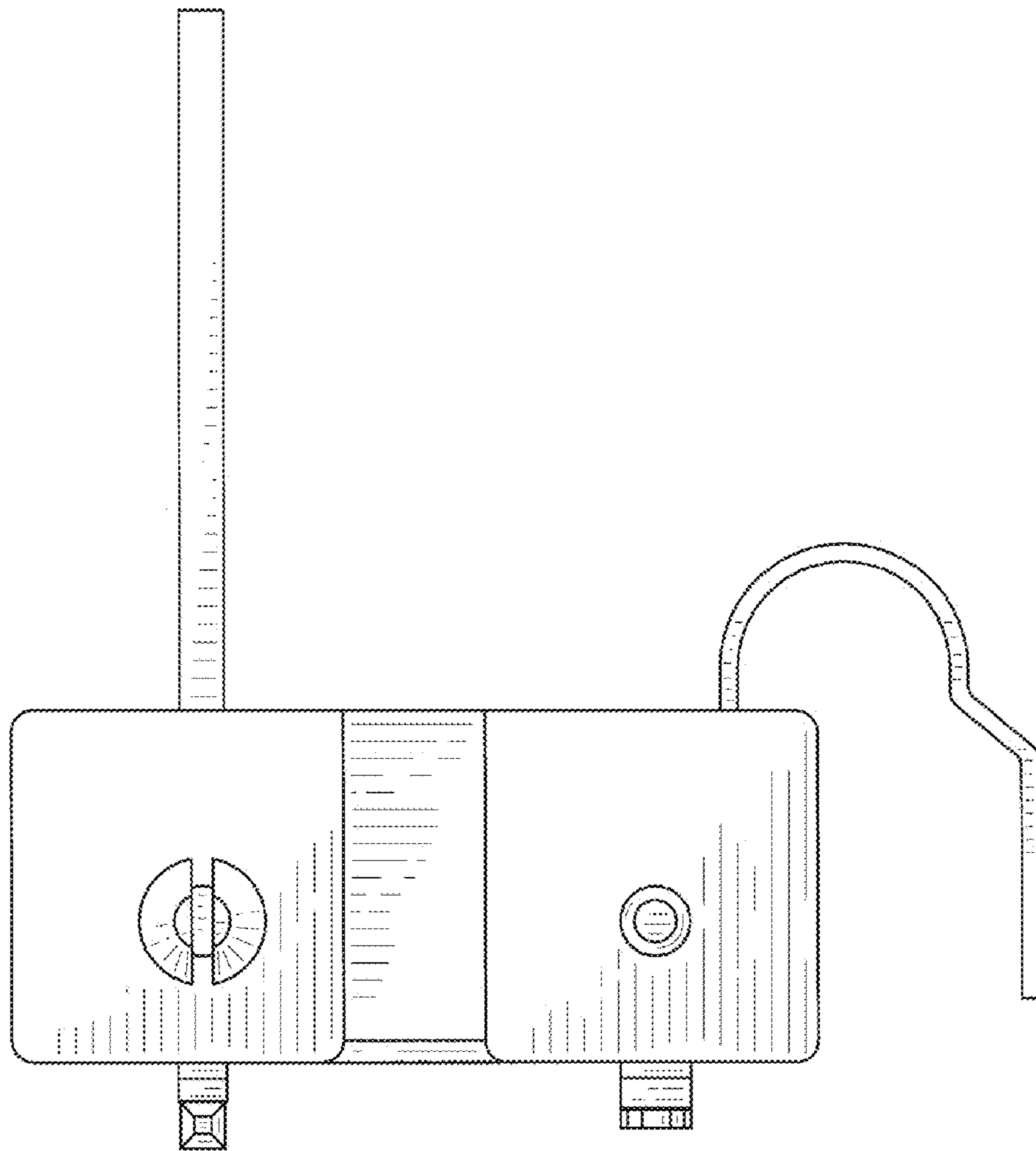


FIG. 7