



US00D678836S

(12) **United States Design Patent**  
**Presz, Jr. et al.**

(10) **Patent No.:** **US D678,836 S**  
(45) **Date of Patent:** **\*\* Mar. 26, 2013**

(54) **FLUID TURBINE**

(75) Inventors: **Walter M. Presz, Jr.**, Wilbraham, MA  
(US); **Michael J. Werle**, West Hartford,  
CT (US)

(73) Assignee: **FloDesign Wind Turbine Corp.**,  
Waltham, MA (US)

(\*\*) Term: **14 Years**

(21) Appl. No.: **29/389,598**

(22) Filed: **Apr. 14, 2011**

(51) **LOC (9) Cl.** ..... **13-01**

(52) **U.S. Cl.** ..... **D13/115**

(58) **Field of Classification Search** ..... D13/115,  
D13/118, 122, 199; D12/344, 345; D15/1,  
D15/199; D21/458; 290/52, 54, 55; 415/916;  
416/24, 31, 37, 38, 132 B, 132 R, 141, 142,  
416/176, 177, 196 A

See application file for complete search history.

(56) **References Cited**

**U.S. PATENT DOCUMENTS**

D305,419 S \* 1/1990 Korneski ..... D13/115  
6,168,373 B1 \* 1/2001 Vauthier ..... 415/7  
D487,060 S \* 2/2004 Ehrenberger ..... D13/115  
D588,158 S \* 3/2009 Fausett et al. .... D15/5

D607,818 S \* 1/2010 Presz et al. .... D13/115  
D628,962 S \* 12/2010 Presz et al. .... D13/115  
D629,356 S \* 12/2010 Presz et al. .... D13/115  
D640,978 S \* 7/2011 Presz et al. .... D13/115  
D640,979 S \* 7/2011 Presz et al. .... D13/115  
D640,980 S \* 7/2011 Presz et al. .... D13/115  
2009/0263244 A1 \* 10/2009 Presz et al. .... 416/1

\* cited by examiner

*Primary Examiner* — Derrick Holland

(74) *Attorney, Agent, or Firm* — McCarter & English, LLP

(57) **CLAIM**

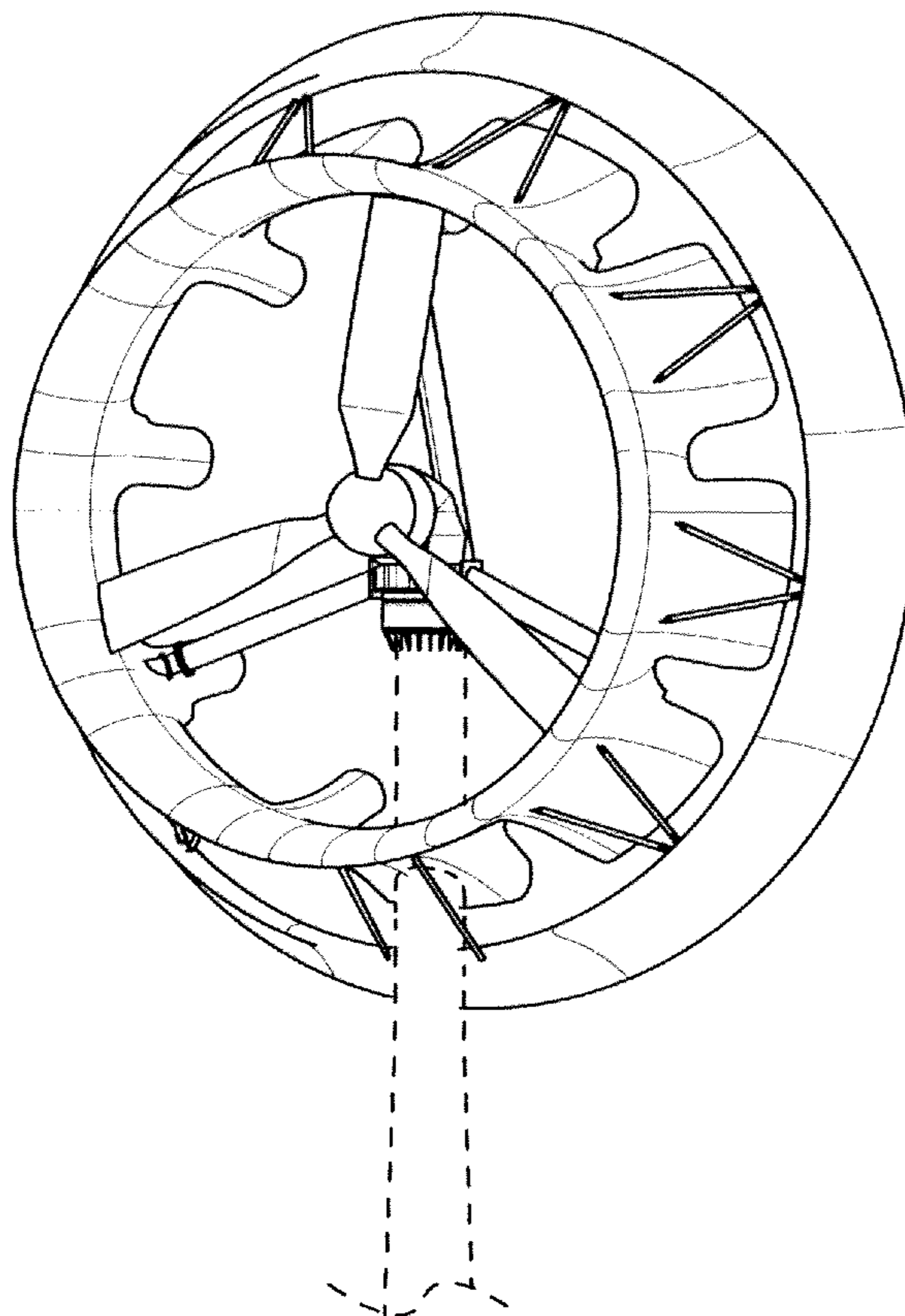
The ornamental design for a fluid turbine, as shown and described.

**DESCRIPTION**

FIG. 1 is a front perspective view of the fluid turbine;  
FIG. 2 is a rear perspective view of the fluid turbine;  
FIG. 3 is a front view of the fluid turbine;  
FIG. 4 is a left side view the fluid turbine;  
FIG. 5 is a rear view of the fluid turbine;  
FIG. 6 is a right side view of the fluid turbine;  
FIG. 7 is a top view of the fluid turbine; and,  
FIG. 8 is a bottom view of the fluid turbine.

The broken lines represent unclaimed subject matter and form no part of the claimed design.

**1 Claim, 8 Drawing Sheets**



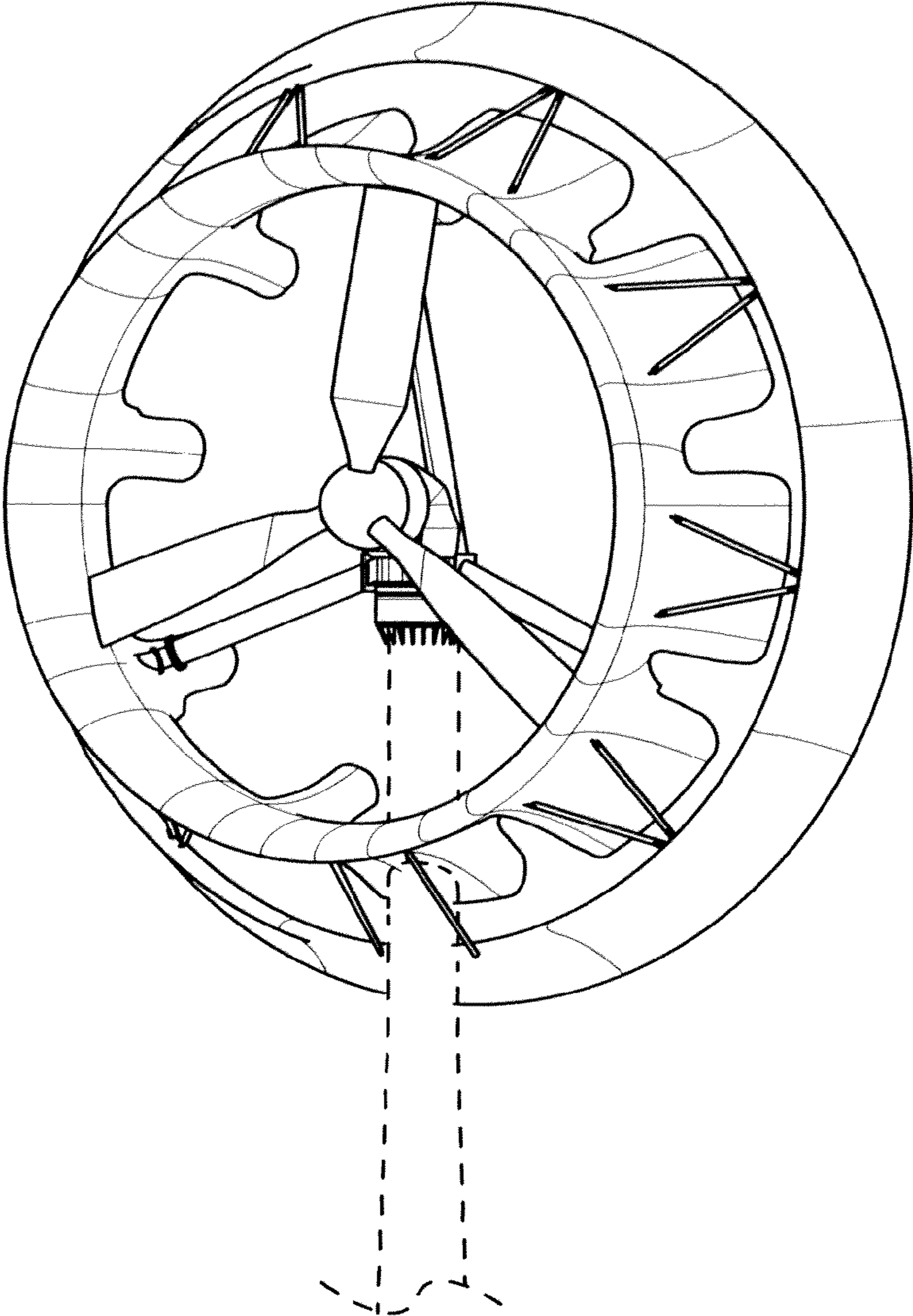


Figure 1

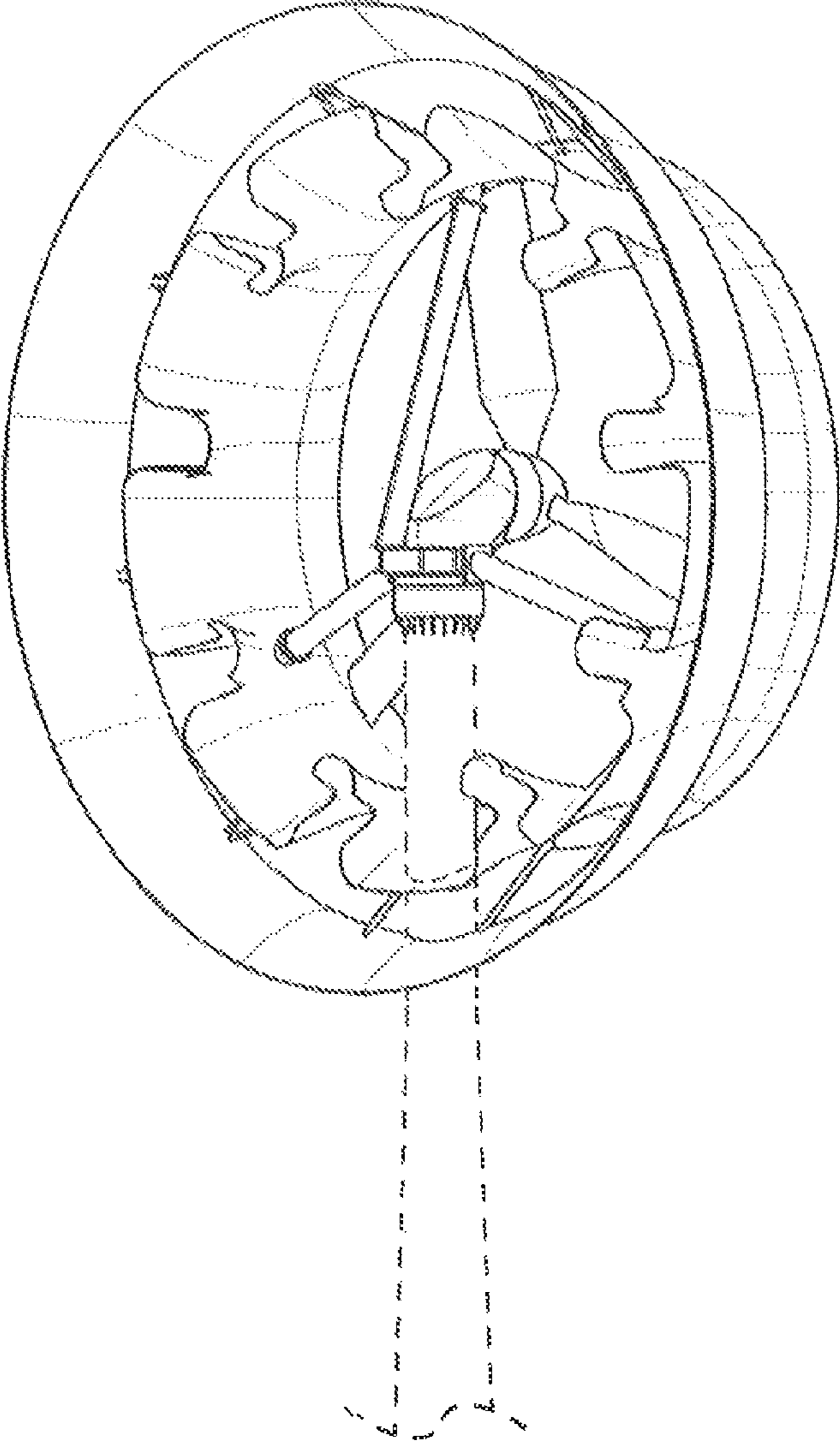


Figure 2

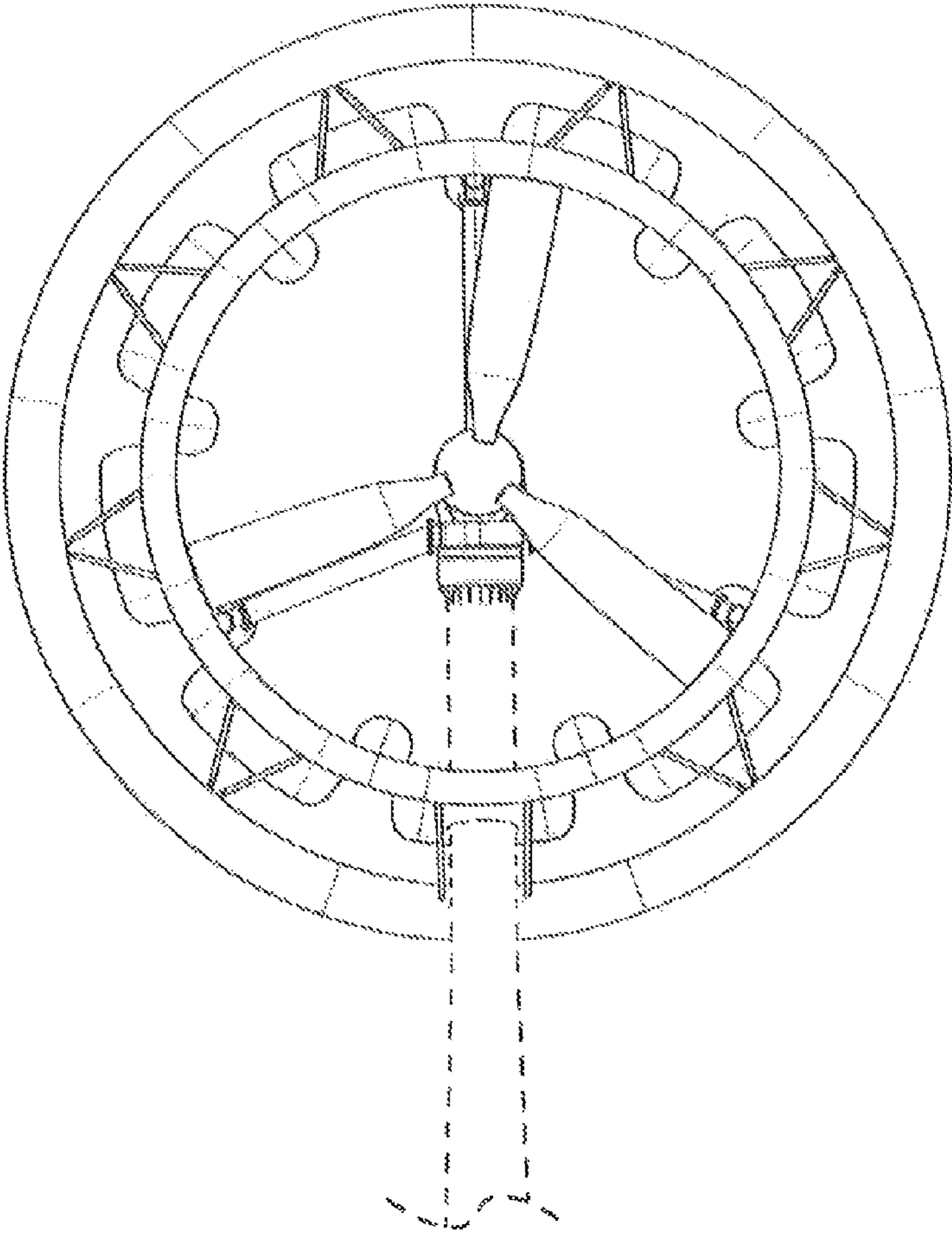


Figure 3

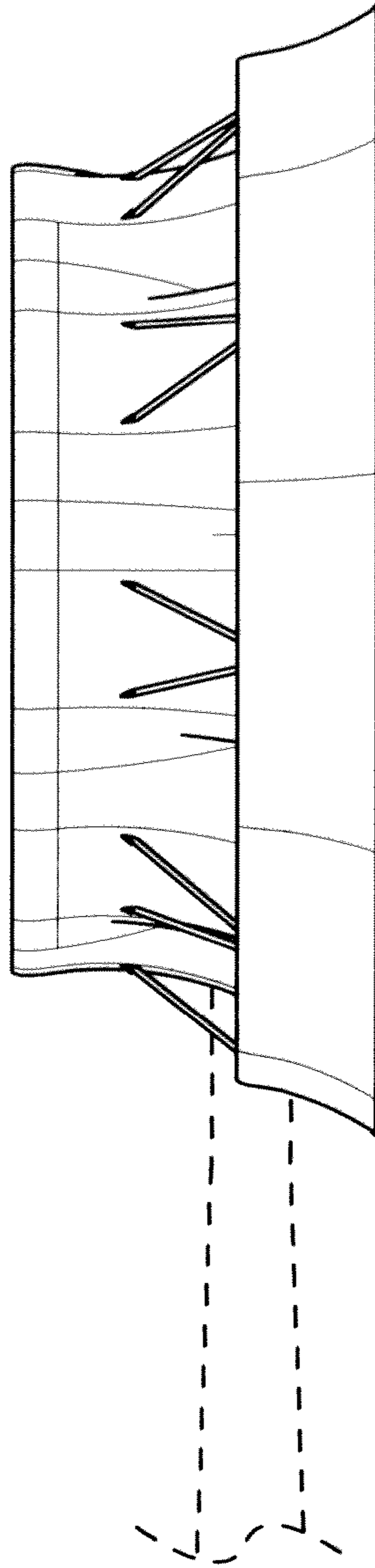


Figure 4

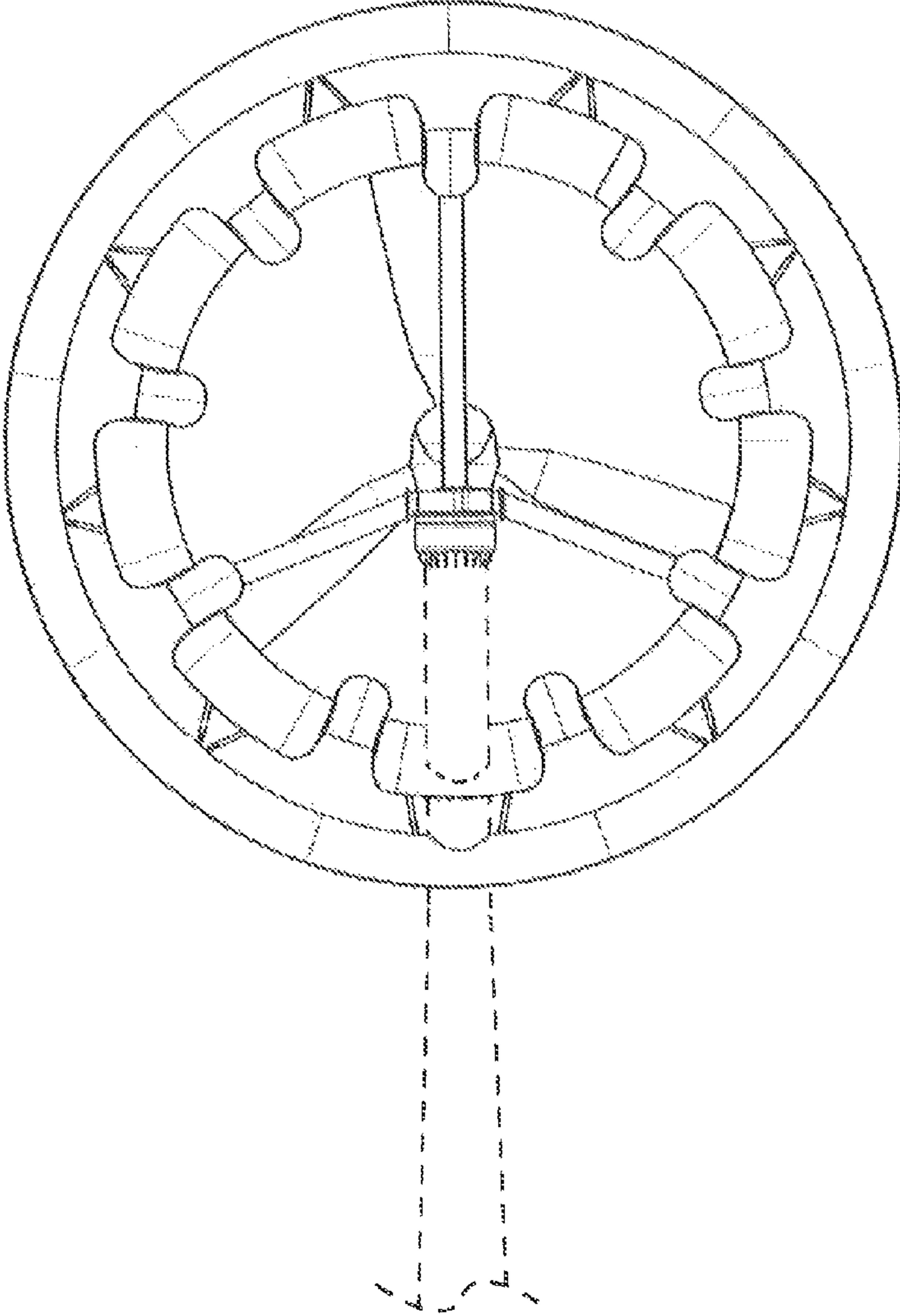


Figure 5

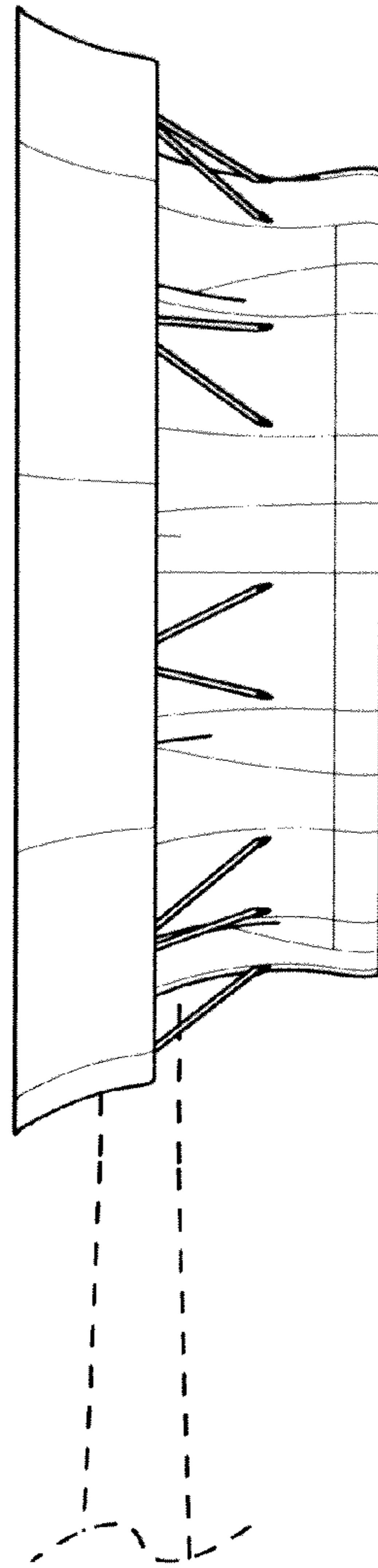


Figure 6

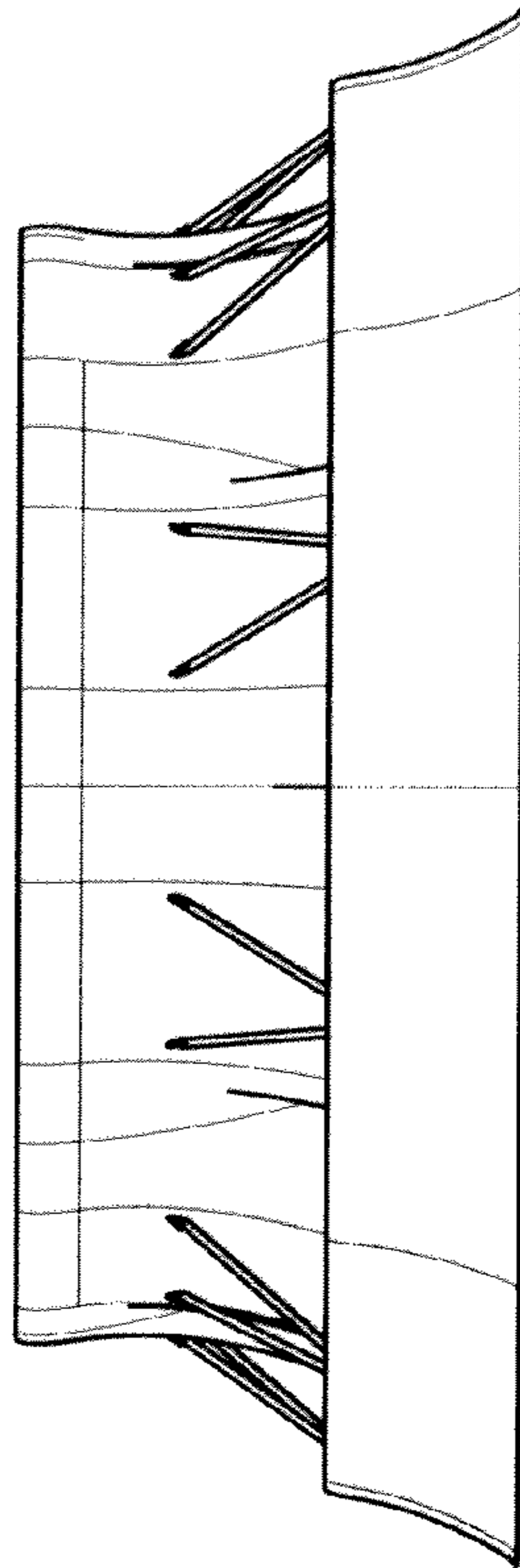


Figure 7



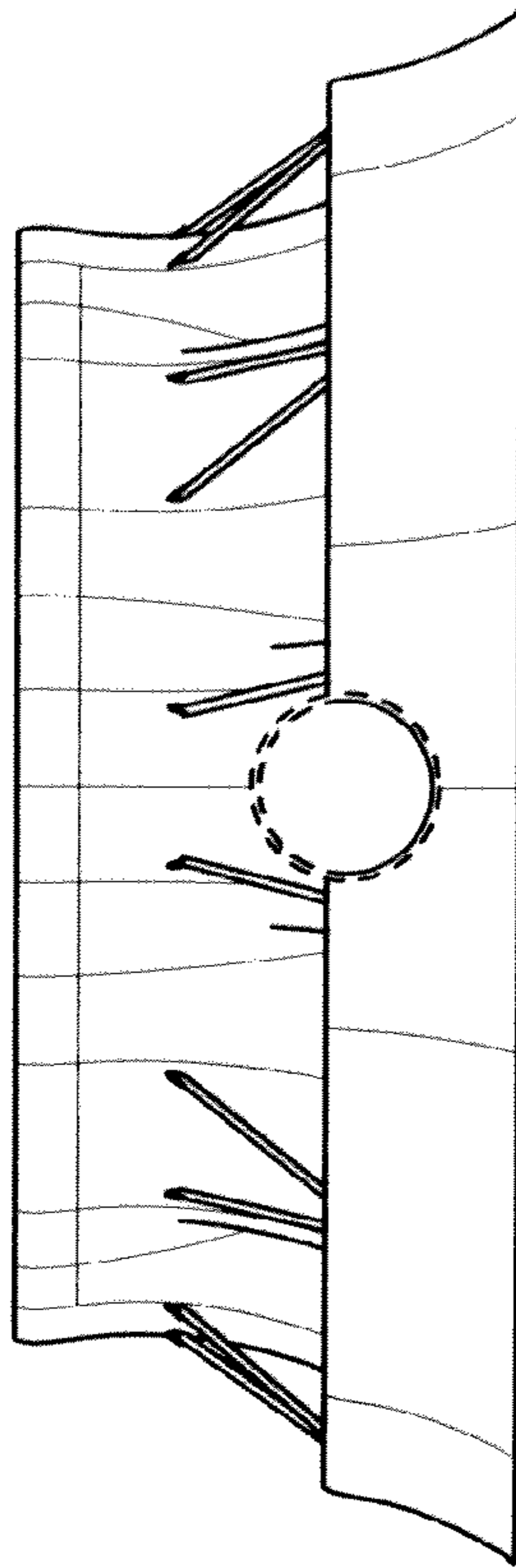


Figure 8