



US00D678834S

(12) **United States Design Patent**
Sakamoto

(10) **Patent No.:** **US D678,834 S**
(45) **Date of Patent:** **** Mar. 26, 2013**

- (54) **TUNING FORK TYPE PIEZOELECTRIC RESONATOR DEVICE**
- (75) Inventor: **Yoshinobu Sakamoto**, Kakogawa (JP)
- (73) Assignee: **Daishinku Corporation**, Kakogawa-Shi
- (**) Term: **14 Years**
- (21) Appl. No.: **29/393,606**
- (22) Filed: **Jun. 7, 2011**

Primary Examiner — Derrick Holland
(74) *Attorney, Agent, or Firm* — Marvin A. Motsenbocker; Motts Law, PLLC

(57) **CLAIM**
The ornamental design for a tuning-fork type piezoelectric resonator device, as shown and described.

- (30) **Foreign Application Priority Data**
 - Dec. 7, 2010 (JP) 2010-029174
 - Dec. 7, 2010 (JP) 2010-029175
- (51) **LOC (9) Cl.** **13-02**
- (52) **U.S. Cl.** **D13/101**
- (58) **Field of Classification Search** D13/101,
D13/118, 122, 184, 199; 73/504.02, 504.16;
310/344, 348, 367, 368, 370; 331/158, 315;
333/187-192
See application file for complete search history.

DESCRIPTION

FIG. 1 is a front view of a first embodiment of a tuning-fork type piezoelectric resonator device showing my new design; FIG. 2 is a rear view thereof; FIG. 3 is a top plan view thereof; FIG. 4 is a bottom plan view thereof; FIG. 5 is a right side view thereof; FIG. 6 is a left side view thereof; FIG. 7 is an enlarged sectional view thereof taken along line 7-7 in FIG. 1; FIG. 8 is a front, right side perspective view thereof; FIG. 9 is a front view of a second embodiment of a tuning-fork type piezoelectric resonator device showing my new design; FIG. 10 is a rear view thereof; FIG. 11 is a top plan view thereof; FIG. 12 is a bottom plan view thereof; FIG. 13 is a right side view thereof; FIG. 14 is a left side view thereof; FIG. 15 is an enlarged sectional view thereof taken along line 15-15 in FIG. 9; and, FIG. 16 is a front, right side perspective view thereof.

- (56) **References Cited**
 - U.S. PATENT DOCUMENTS
 - 3,697,766 A * 10/1972 Ganter et al. 310/348
 - 5,712,524 A * 1/1998 Suga 310/328
 - D479,704 S * 9/2003 Namerikawa et al. D13/101
 - D493,135 S * 7/2004 Moler et al. D13/101
 - D496,330 S * 9/2004 Moler et al. D13/101
 - 6,806,797 B2 * 10/2004 Kikushima 333/200
 - D512,085 S * 11/2005 Moler et al. D15/148
 - D520,940 S * 5/2006 Ogura D13/101
 - 7,061,167 B2 * 6/2006 Yamada 310/370
 - 7,863,803 B2 * 1/2011 Yamada et al. 310/370
 - D639,739 S * 6/2011 Lee et al. D13/122
 - 2004/0155561 A1 * 8/2004 Tanaya et al. 310/370

* cited by examiner

1 Claim, 8 Drawing Sheets

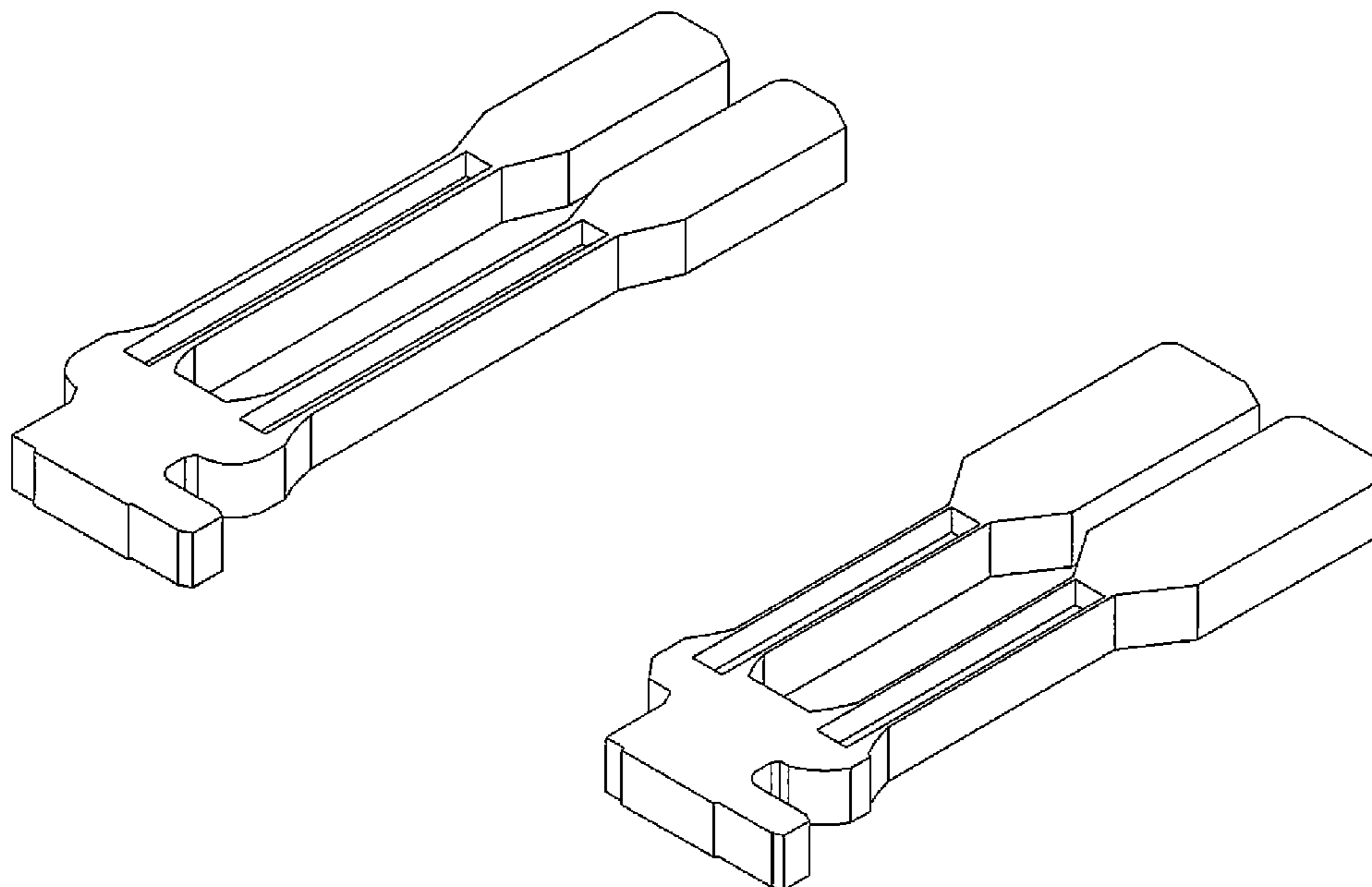


FIG.1

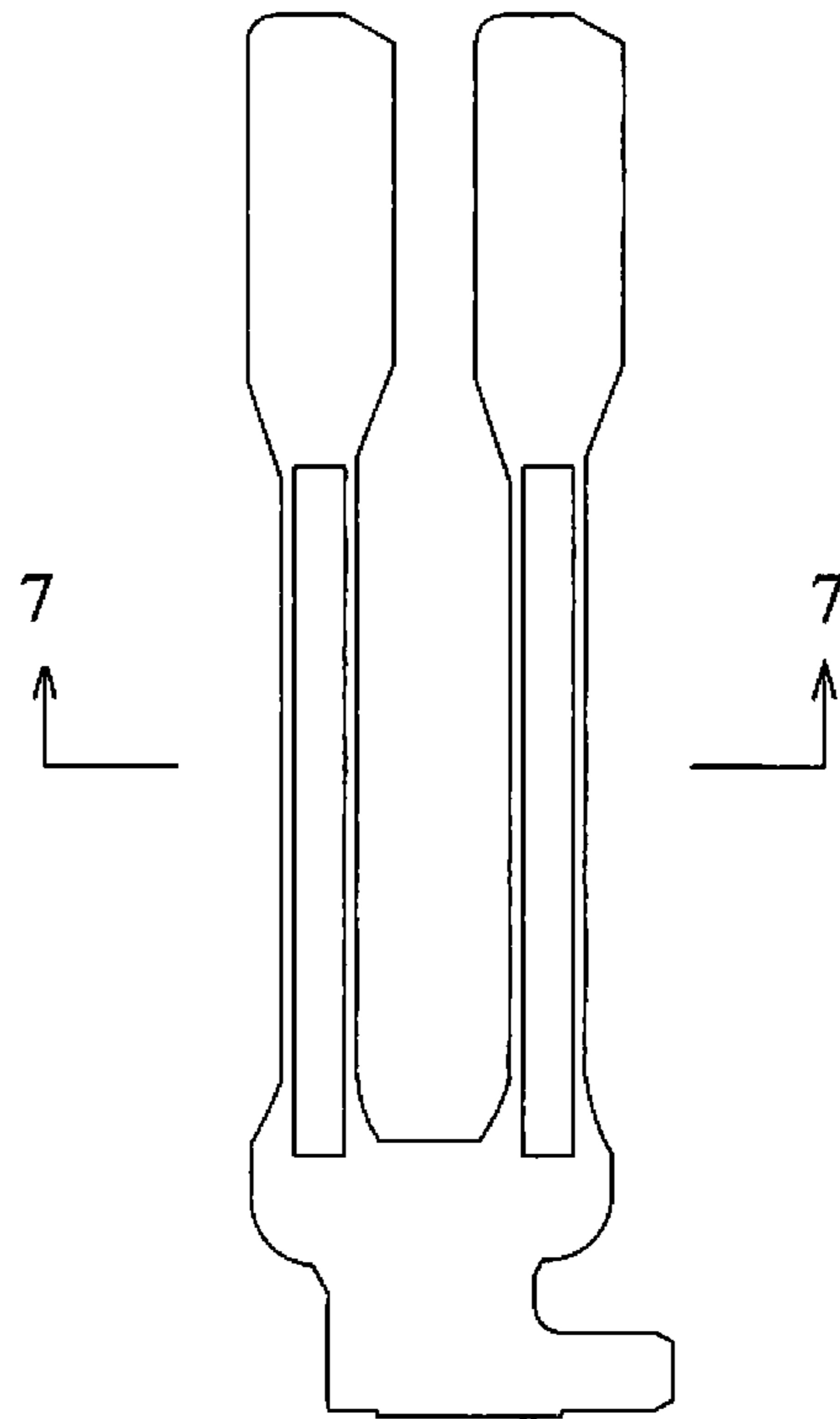


FIG.2

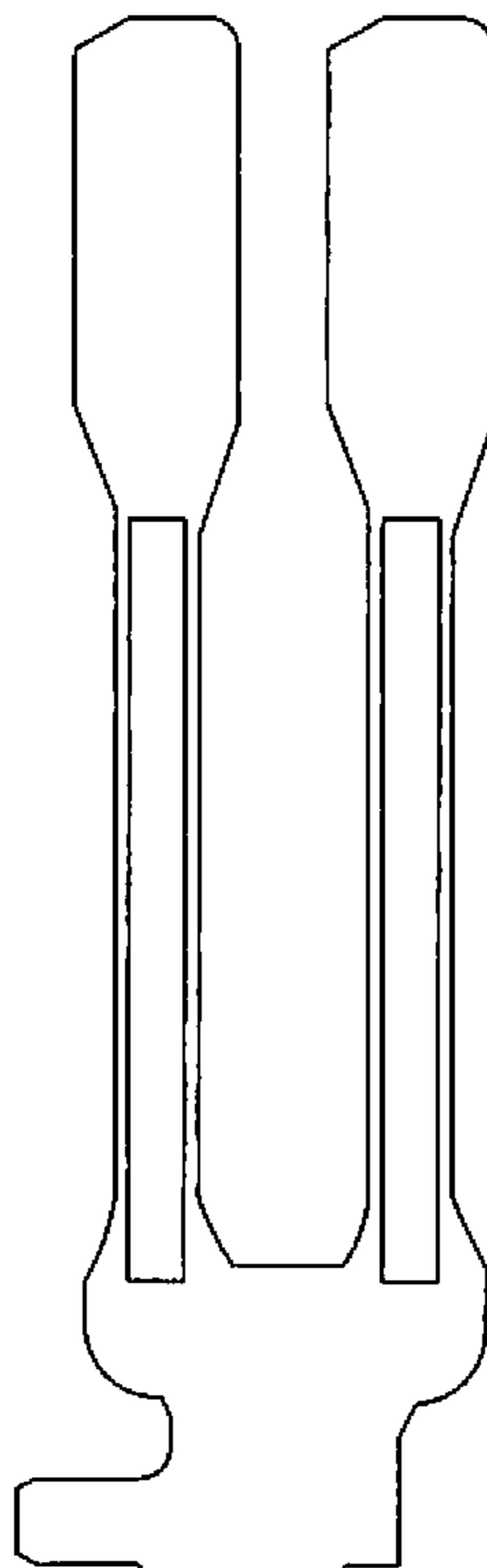


FIG.3



FIG.4



FIG.5



FIG.6



FIG. 7

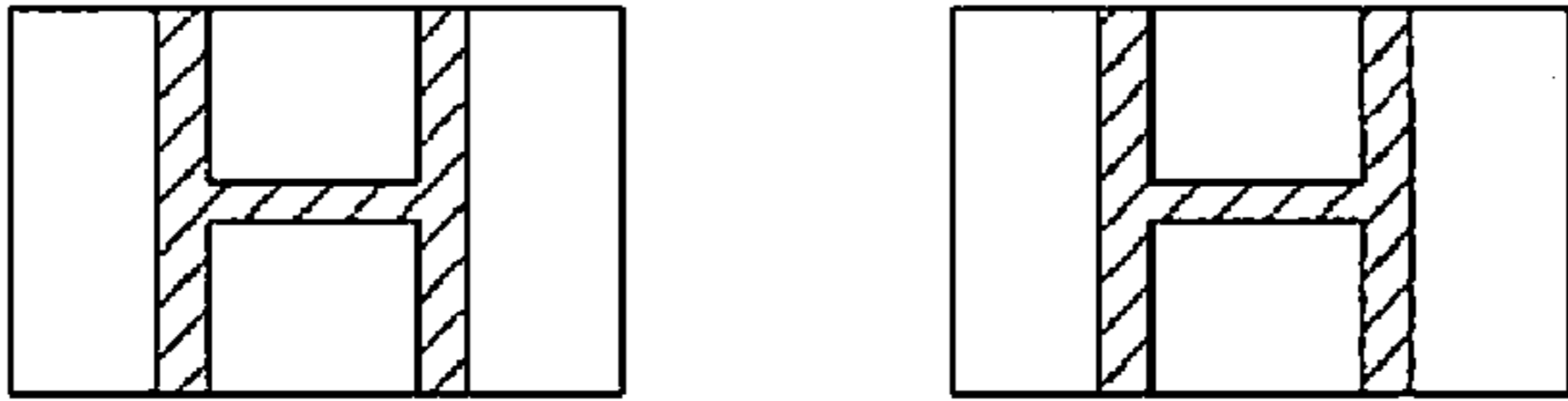


FIG. 8

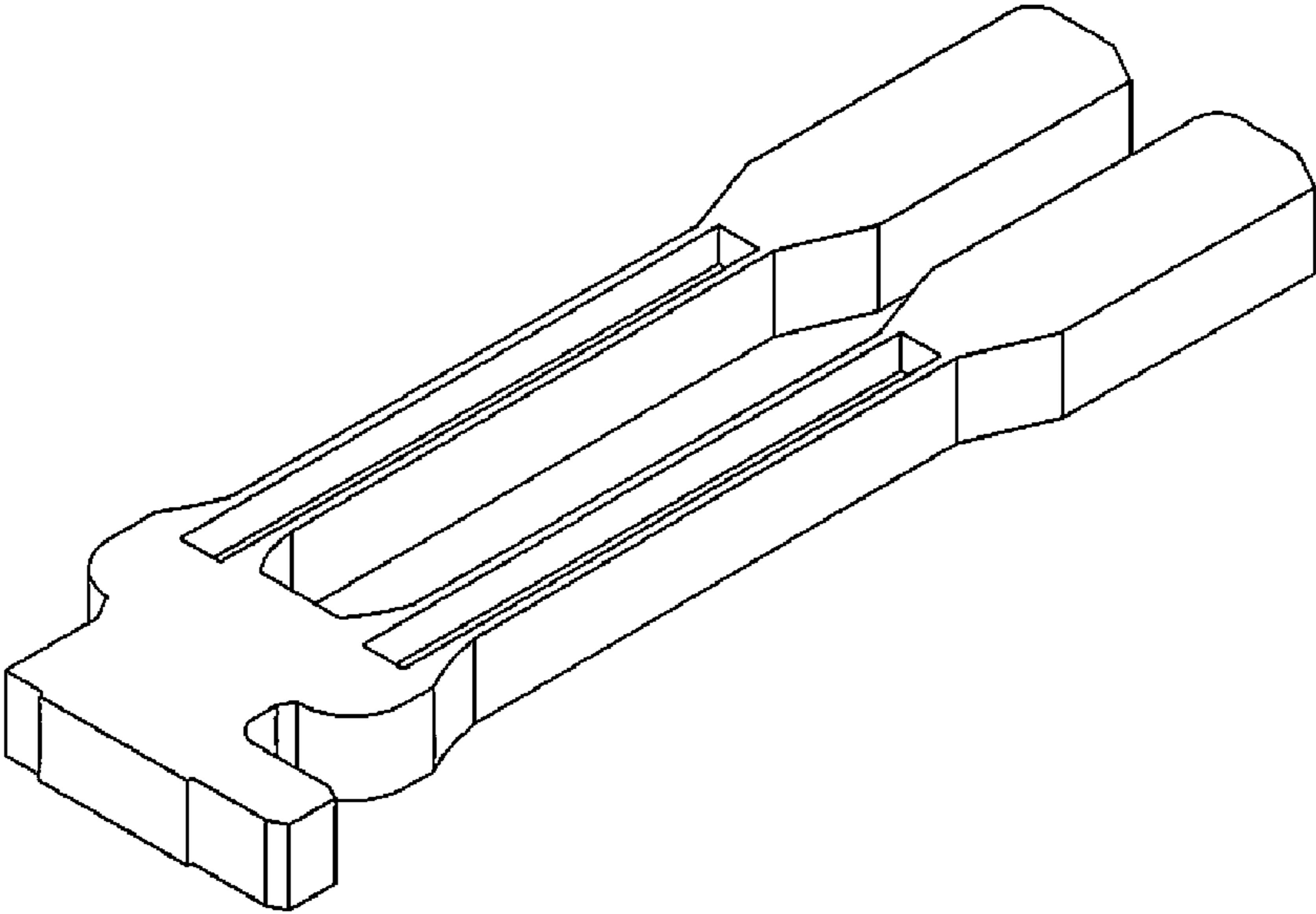


FIG. 9

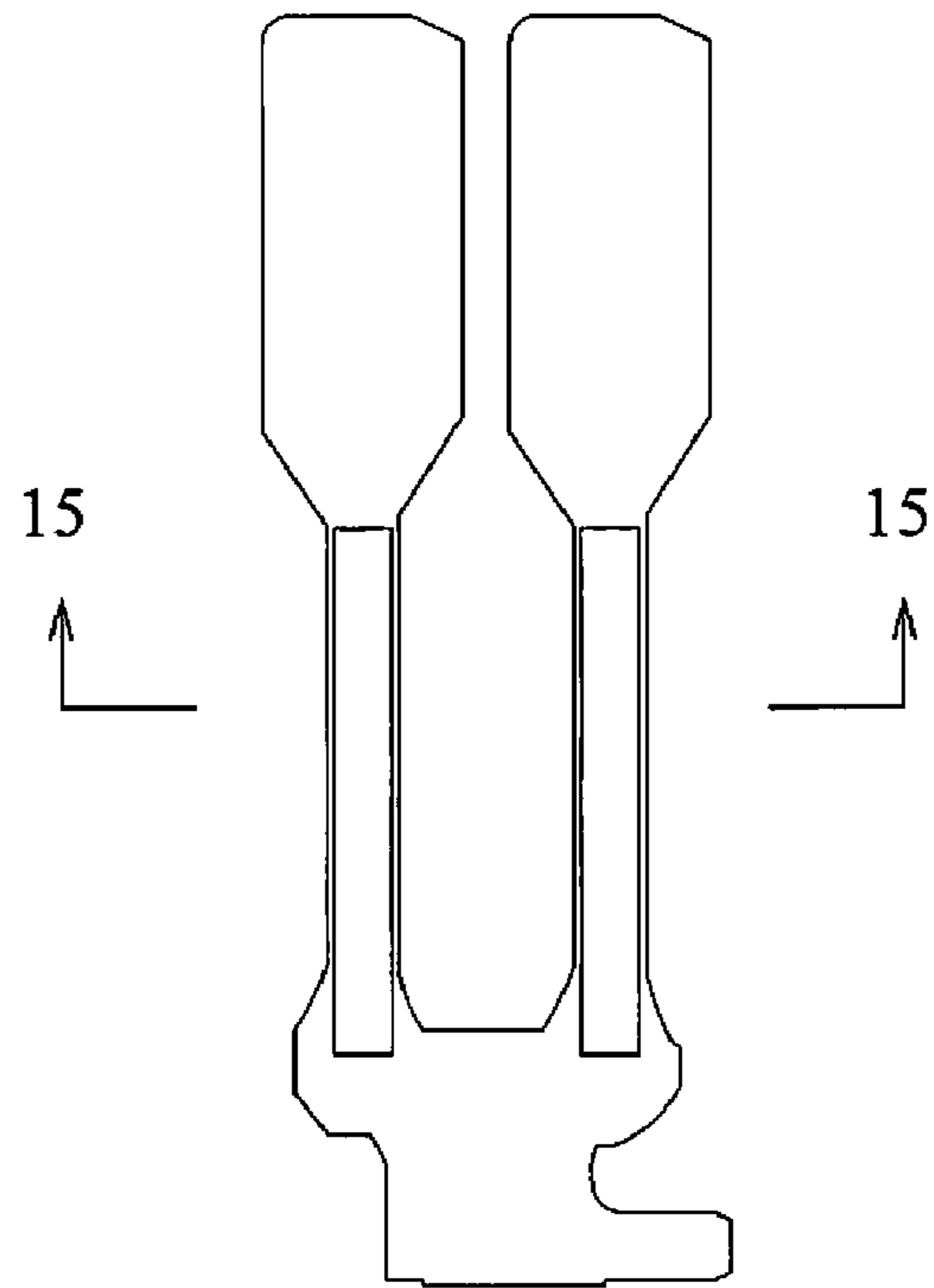


FIG. 10

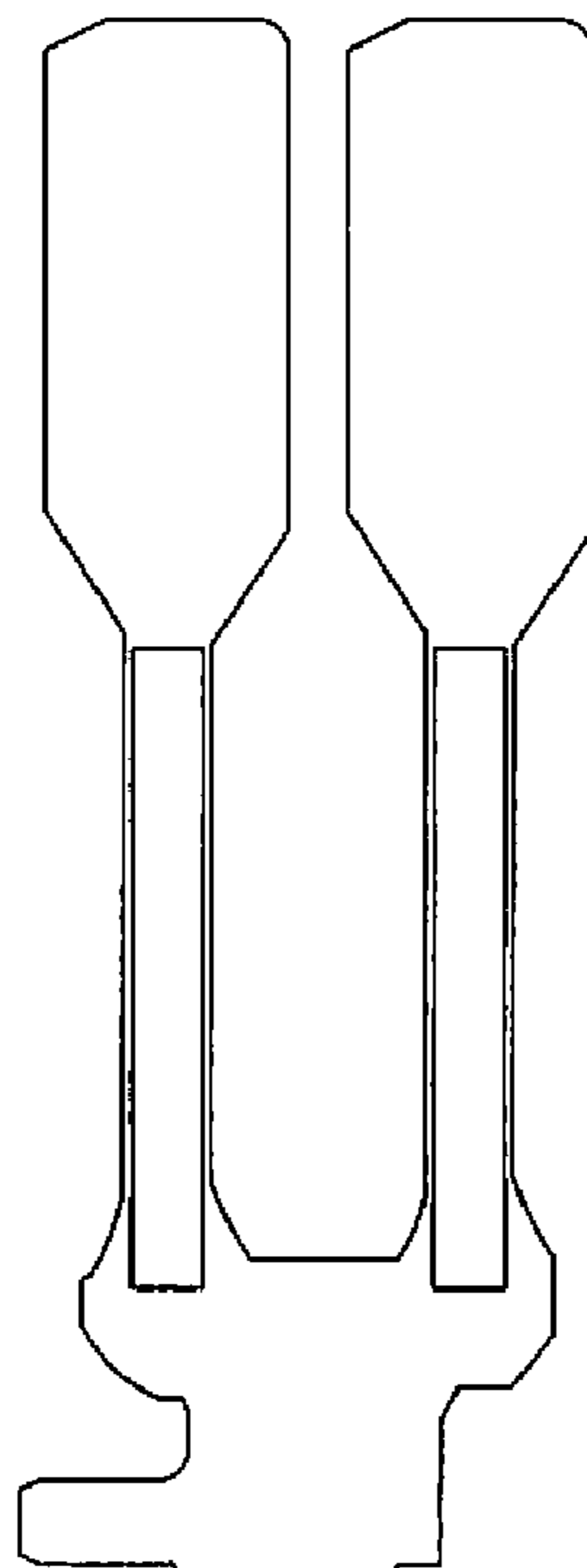


FIG. 11

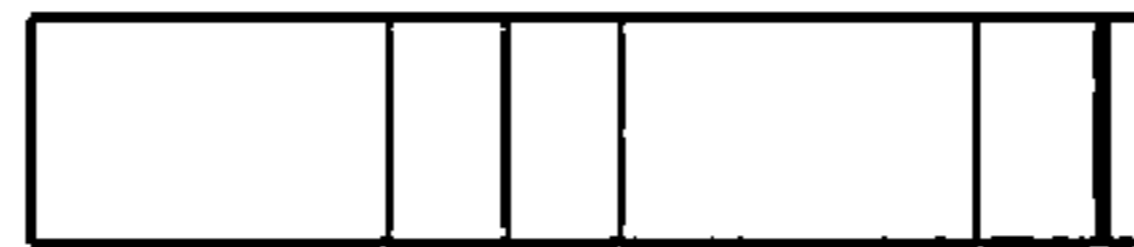


FIG. 12



FIG. 15

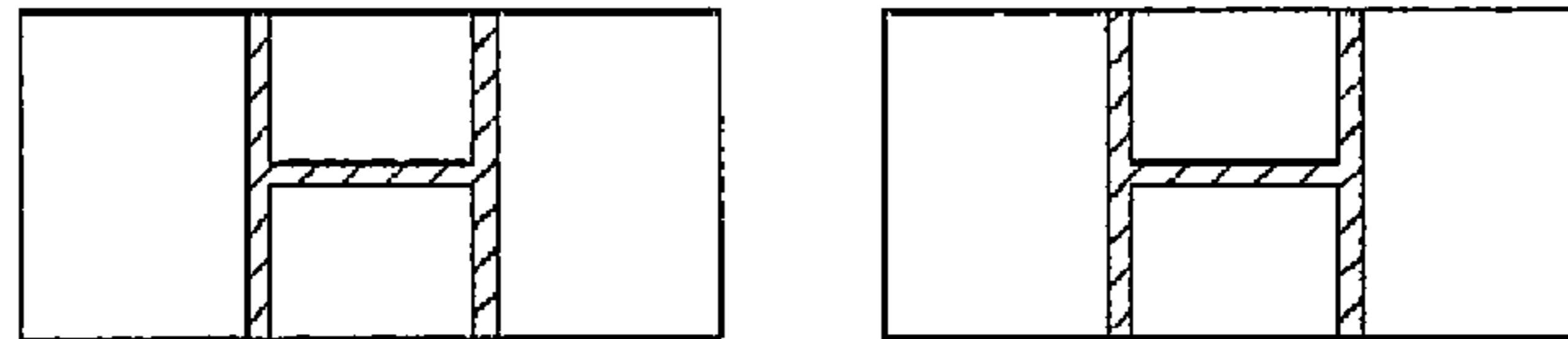


FIG. 16

