



US00D678829S

(12) **United States Design Patent**
Gotschke

(10) **Patent No.:** **US D678,829 S**
(45) **Date of Patent:** **** Mar. 26, 2013**

(54) **VEHICLE WHEEL**

(75) Inventor: **Wolfgang Gotschke**, Cologne (DE)

(73) Assignee: **Ford Motor Company**, Dearborn, MI (US)

(**) Term: **14 Years**

(21) Appl. No.: **29/429,692**

(22) Filed: **Aug. 15, 2012**

(51) **LOC (9) Cl.** **12-16**

(52) **U.S. Cl.** **D12/209**

(58) **Field of Classification Search** D12/204-213;
301/37.101, 64.101, 65, 64.201

See application file for complete search history.

(56) **References Cited**

U.S. PATENT DOCUMENTS

D499,369 S *	12/2004	Pfeiffer	D12/209
D584,672 S *	1/2009	Osborne	D12/209
D586,280 S *	2/2009	Blasi	D12/209
D608,714 S *	1/2010	Bucher et al.	D12/209

D613,659 S *	4/2010	Cortes	D12/209
D614,558 S *	4/2010	Luciani et al.	D12/209
D630,564 S *	1/2011	Baum	D12/209
D666,960 S *	9/2012	Chung	D12/211

OTHER PUBLICATIONS

Jeff Sabatine 2013 Ford Fiesta Reveals Fusion-Like Face, Autoblog, Jun. 5, 2013 <http://www.autoblog.com/2012/06/05/2013-ford-fiesta-reveals-fusion-like-face/>.

* cited by examiner

Primary Examiner — Stacia Cadmus

(74) *Attorney, Agent, or Firm* — Damian Porcari

(57) **CLAIM**

The ornamental design for a vehicle wheel, shown and described.

DESCRIPTION

FIG. 1 is a front view of a vehicle wheel; and, FIG. 2 is a perspective view of the vehicle wheel.

1 Claim, 2 Drawing Sheets

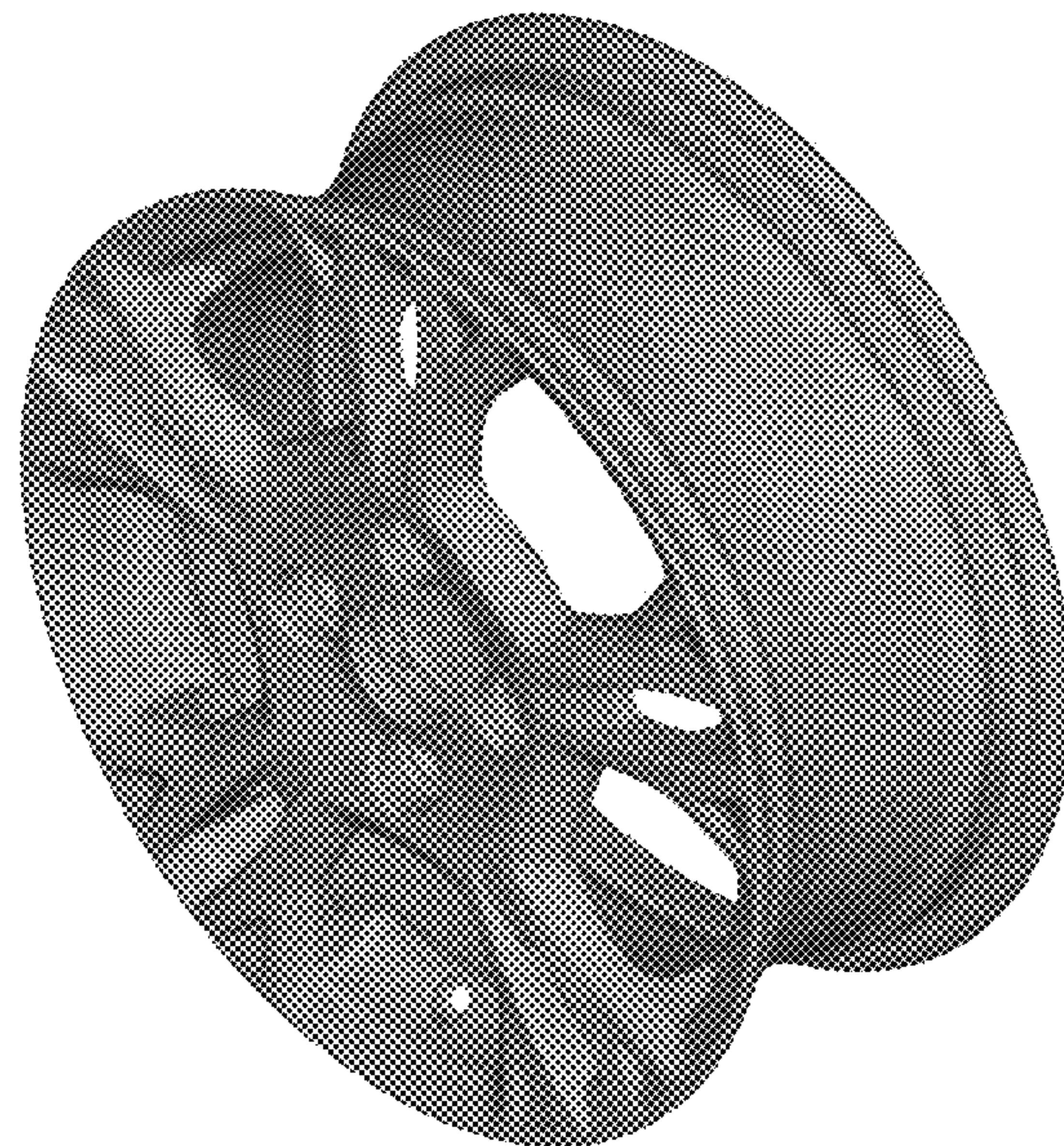
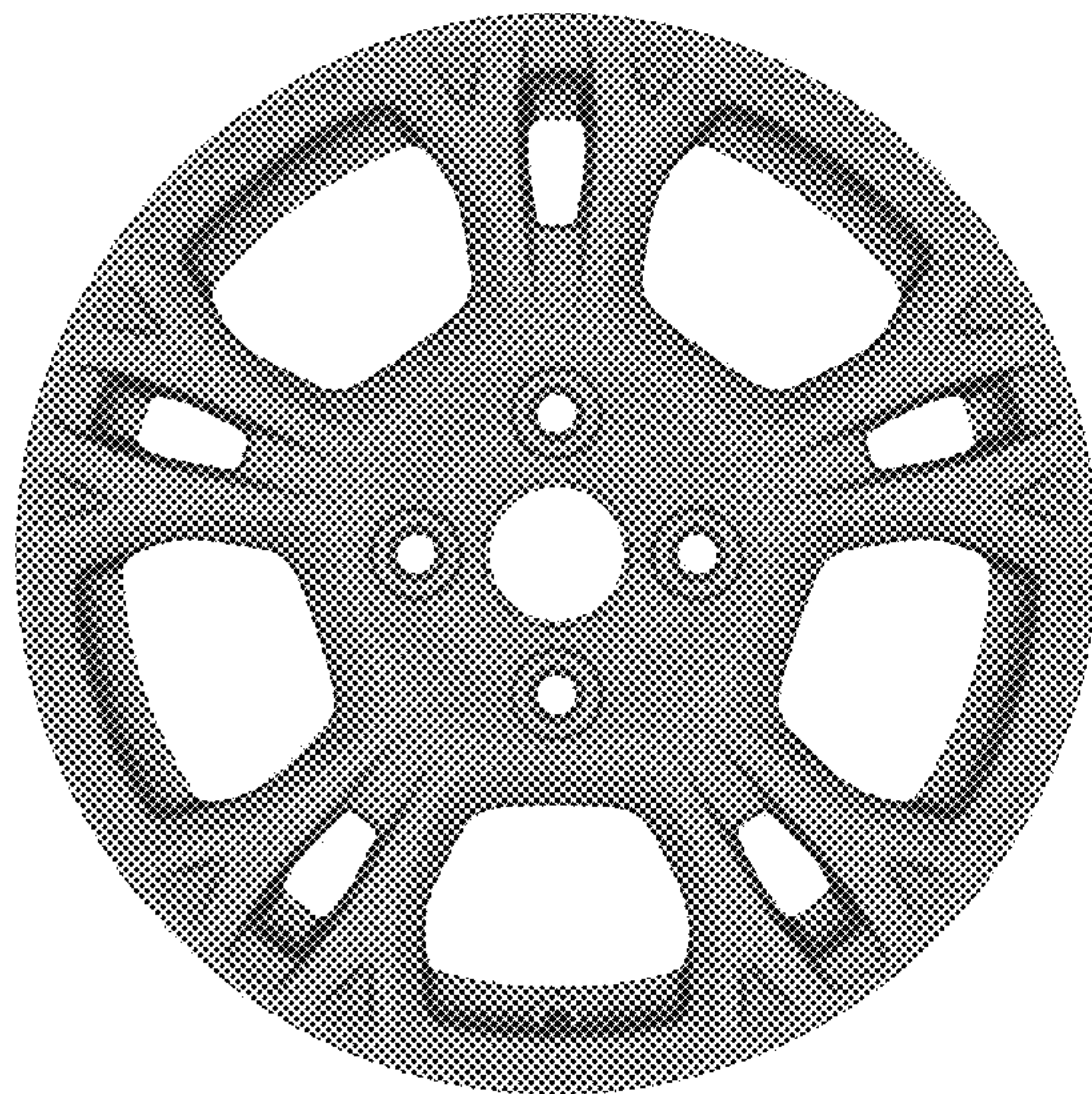




Figure 1



Figure 2