



US00D678828S

(12) **United States Design Patent**
Sanchez

(10) **Patent No.:** **US D678,828 S**
(45) **Date of Patent:** **** Mar. 26, 2013**

(54) **ANTI-THEFT LICENSE PLATE FRAME**

(71) Applicant: **James J. Sanchez**, Livermore, CA (US)

(72) Inventor: **James J. Sanchez**, Livermore, CA (US)

(**) Term: **14 Years**

(21) Appl. No.: **29/433,960**

(22) Filed: **Oct. 7, 2012**

(51) **LOC (9) Cl.** **12-16**

(52) **U.S. Cl.** **D12/193**

(58) **Field of Classification Search** D12/193;
D6/300-302, 309-314; 40/200-204, 207-214;
D20/13; 348/148, 373

See application file for complete search history.

(56) **References Cited**

U.S. PATENT DOCUMENTS

D437,815 S * 2/2001 Lyon D12/193
D516,483 S * 3/2006 Eidsmore D12/193

D564,429 S * 3/2008 Hirth et al. D12/193
D591,660 S * 5/2009 Kazaryan D12/193
D654,838 S * 2/2012 Sanchez D12/193

* cited by examiner

Primary Examiner — Stacia Cadmus

(74) *Attorney, Agent, or Firm* — QuickPatents; Kevin Prince

(57) **CLAIM**

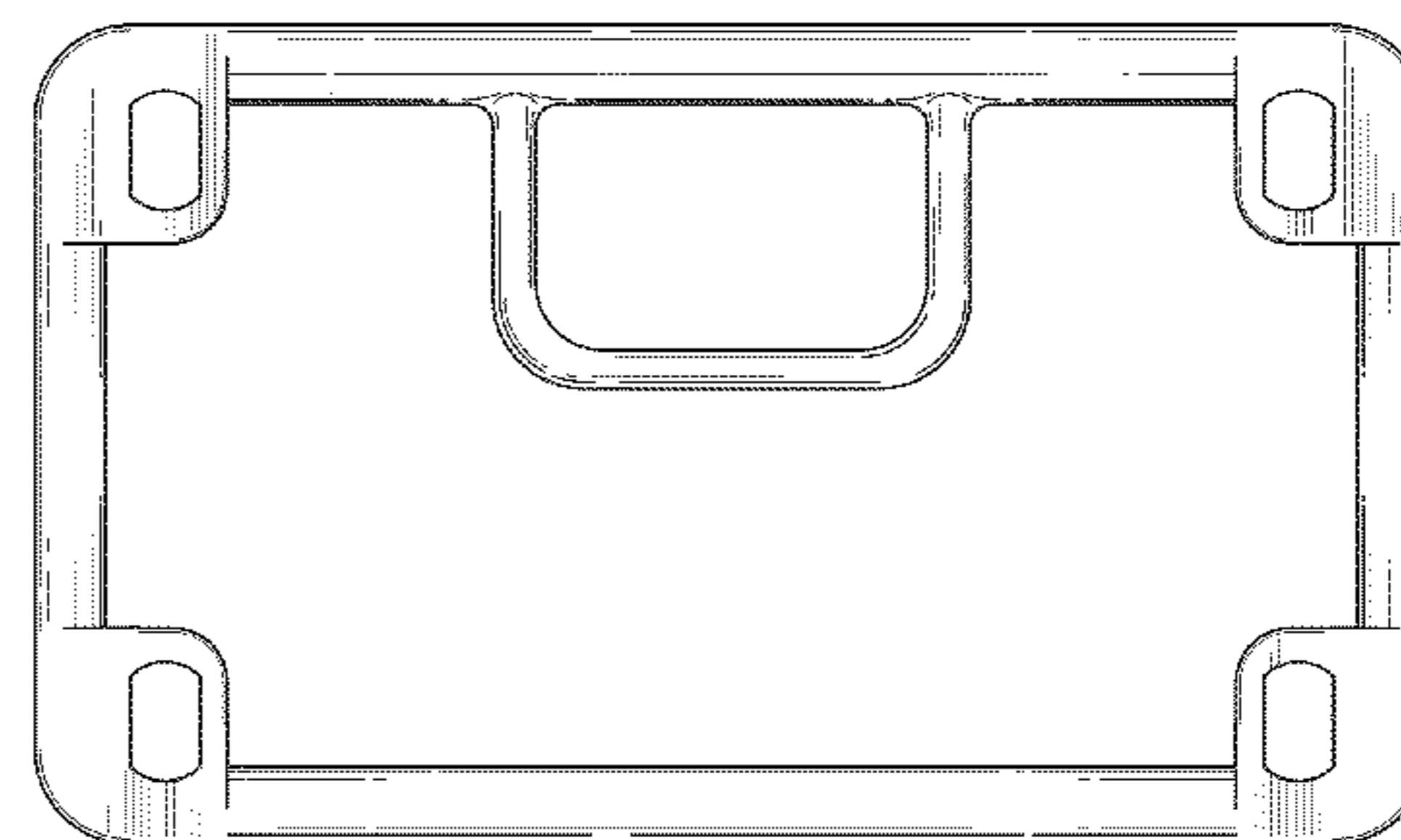
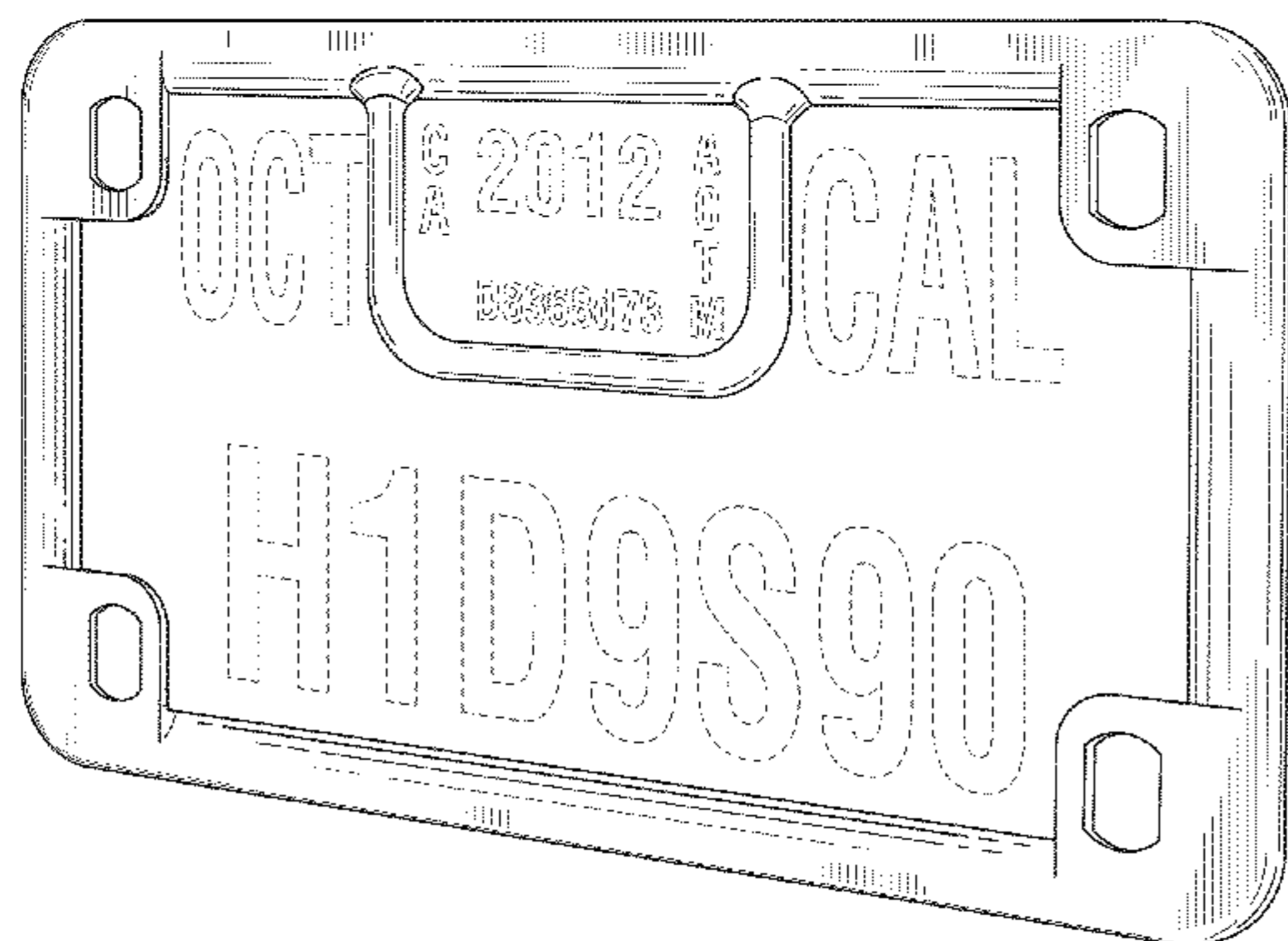
I claim the ornamental design for an anti-theft license plate frame, as shown and described.

DESCRIPTION

FIG. 1 is a front perspective view of an anti-theft license plate frame, showing my new design;
FIG. 2 is a rear perspective view thereof;
FIG. 3 is a front elevational view thereof;
FIG. 4 is a rear elevational view thereof;
FIG. 5 is a right-side elevational view thereof, the left-side elevational view being a mirror image thereof; and,
FIG. 6 is a top plan view thereof, the bottom plan view being a mirror image thereof.

The broken lines showing a license plate in FIG. 1 depict environmental matter and form no part of the claimed design.

1 Claim, 3 Drawing Sheets



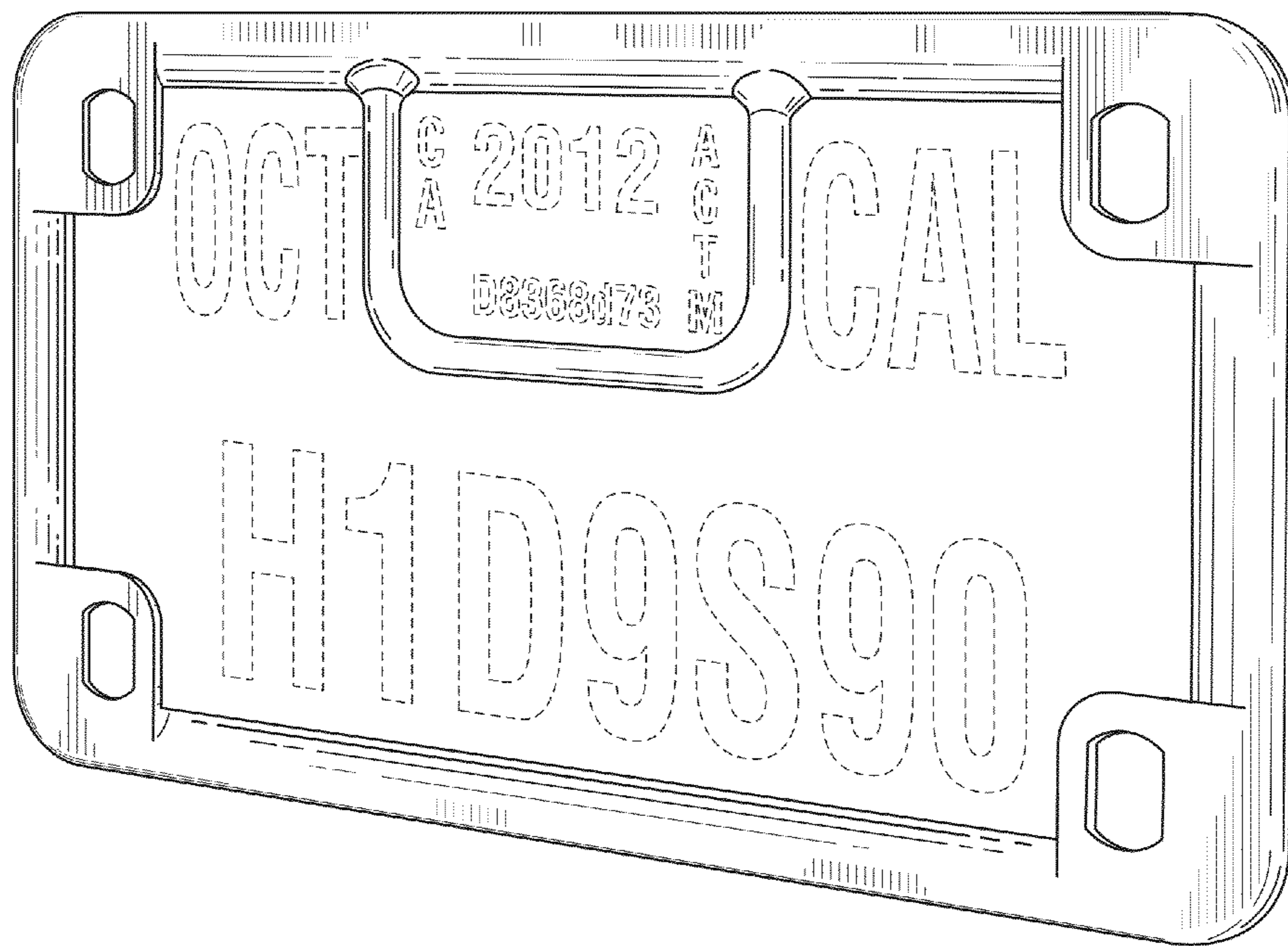


FIG. 1

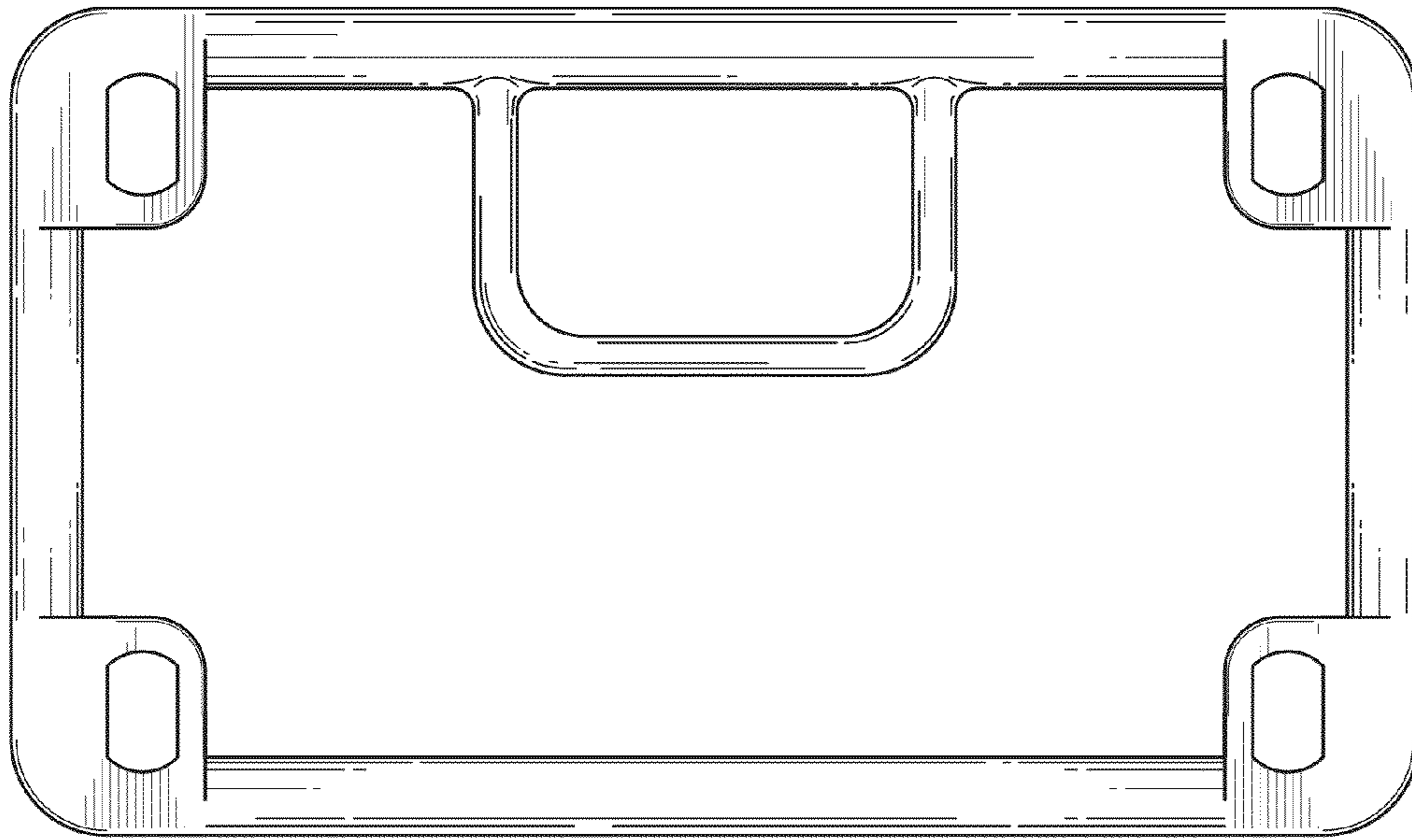


FIG. 3

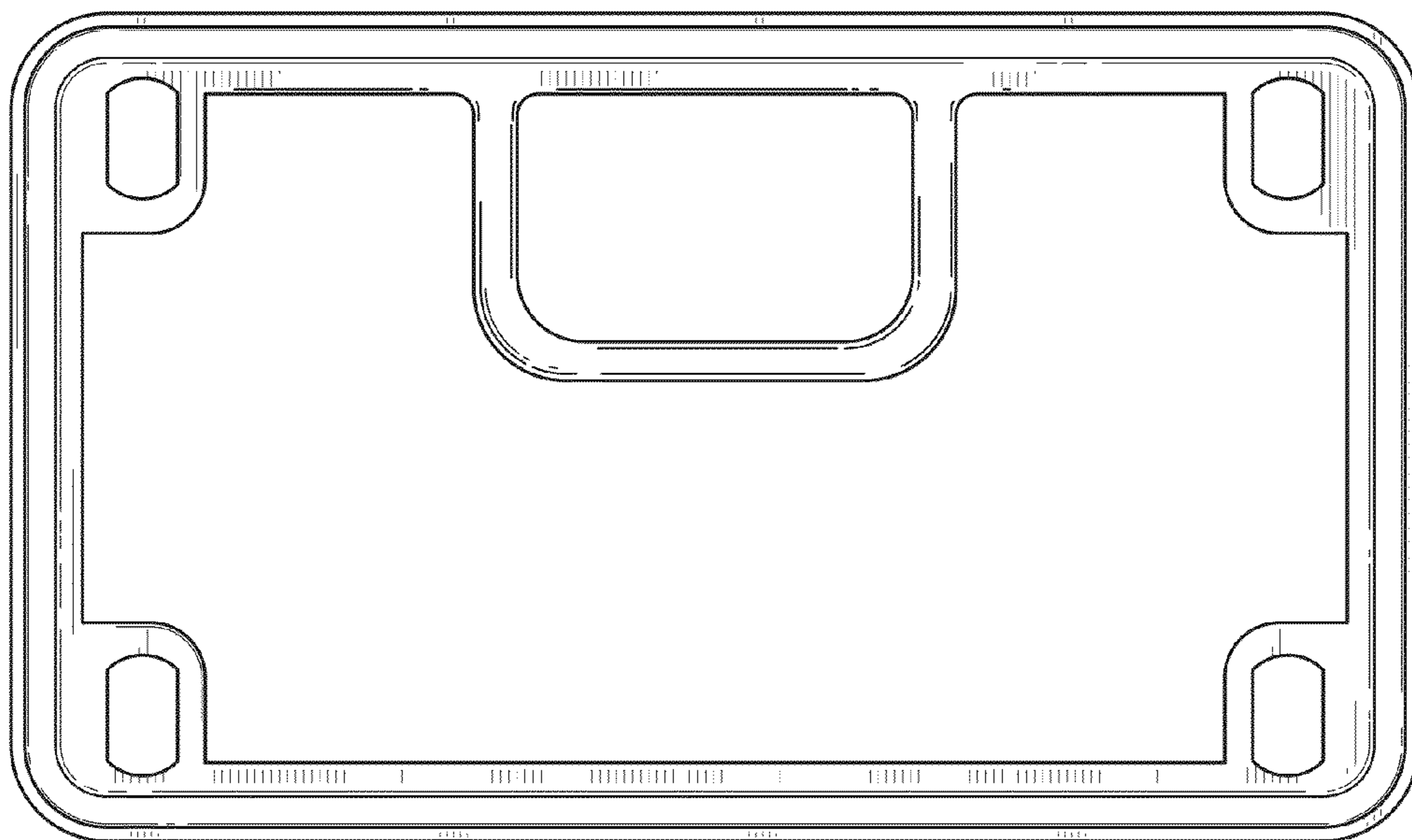


FIG. 4



FIG. 5

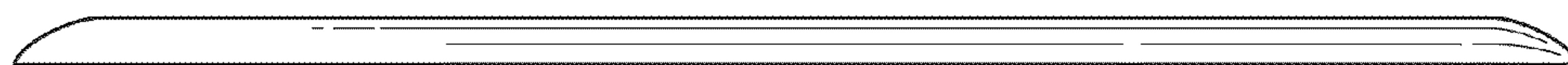


FIG. 6

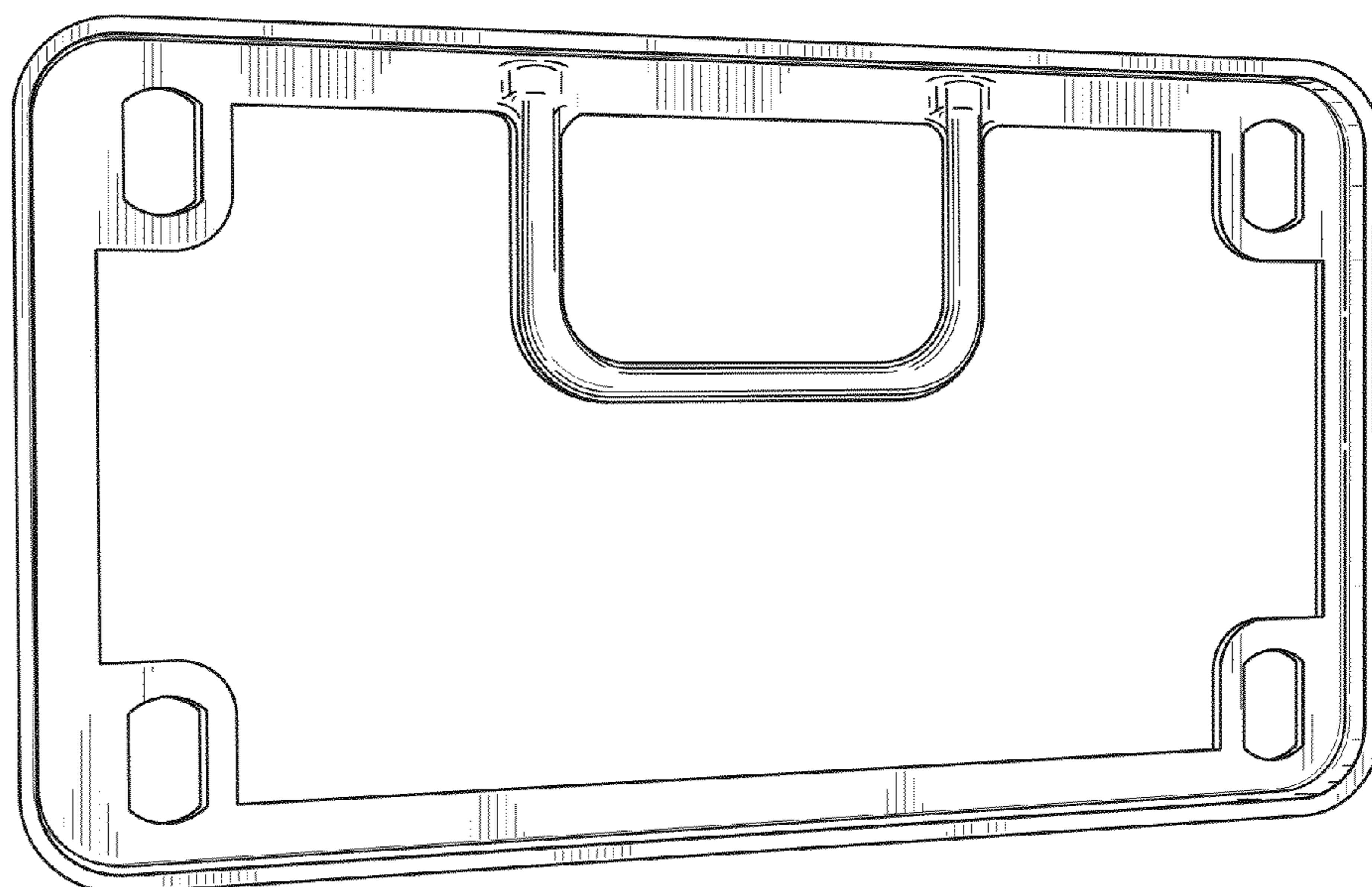


FIG. 2