



US00D678825S

(12) **United States Design Patent**  
**Akamine et al.**

(10) **Patent No.:** **US D678,825 S**  
(45) **Date of Patent:** **\*\* Mar. 26, 2013**

(54) **FRONT BUMPER FOR AN AUTOMOBILE**

(75) Inventors: **Shuzo Akamine**, Okazaki (JP); **Yuichi Yoshida**, Hachioji (JP)

(73) Assignee: **Toyota Jidosha Kabushiki Kaisha** (JP)

(\*\*) Term: **14 Years**

(21) Appl. No.: **29/407,238**

(22) Filed: **Nov. 24, 2011**

(51) **LOC (9) Cl.** ..... **12-16**

(52) **U.S. Cl.** ..... **D12/169**

(58) **Field of Classification Search** ..... D12/163,  
D12/171, 196, 216, 90-92, 86, 164, 169;  
293/102, 103, 105, 112, 113, 115, 117; 296/180.1,  
296/180.2

See application file for complete search history.

(56) **References Cited**

**U.S. PATENT DOCUMENTS**

D579,388 S *	10/2008	Akasawa et al.	.....	D12/169
D586,270 S *	2/2009	Suga et al.	.....	D12/169
D642,965 S *	8/2011	Mueller-Stolz et al.	.....	D12/169
D664,904 S *	8/2012	Koyama et al.	.....	D12/169

**OTHER PUBLICATIONS**

Toyota, Toyota Grmn iQ Racing Concept, Gazoo Racing, <http://gazoo.com/racing/Top/Top.aspx>, available at least as early as Nov. 24, 2011.

Aston Martin, Aston Martin Cygnet, NetCarShow.com, <http://www.netcarshow.com/>, available at least as early as Nov. 24, 2011.

Citroen, Citroen DS3, NetCarShow.com, <http://www.netcarshow.com/>, available at least as early as Nov. 24, 2011.

\* cited by examiner

*Primary Examiner* — Melody N Brown

(74) *Attorney, Agent, or Firm* — SAIDMAN DesignLaw Group

(57) **CLAIM**

The ornamental design for a front bumper for an automobile, as shown and described.

**DESCRIPTION**

FIG. 1 is a front perspective view of a front bumper for an automobile showing our new design;

FIG. 2 is a front view thereof;

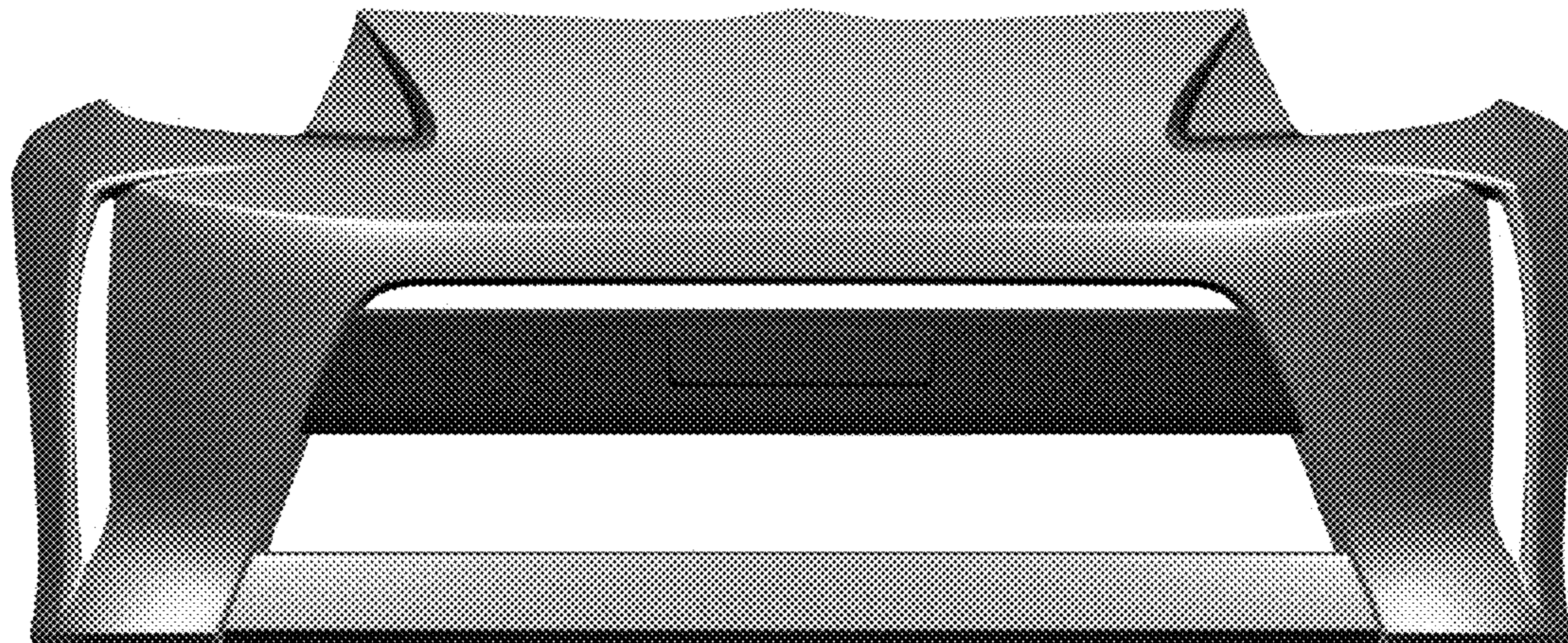
FIG. 3 is a top view thereof;

FIG. 4 is a bottom view thereof;

FIG. 5 is a left side view thereof; and,

FIG. 6 is a right side view thereof.

**1 Claim, 2 Drawing Sheets**



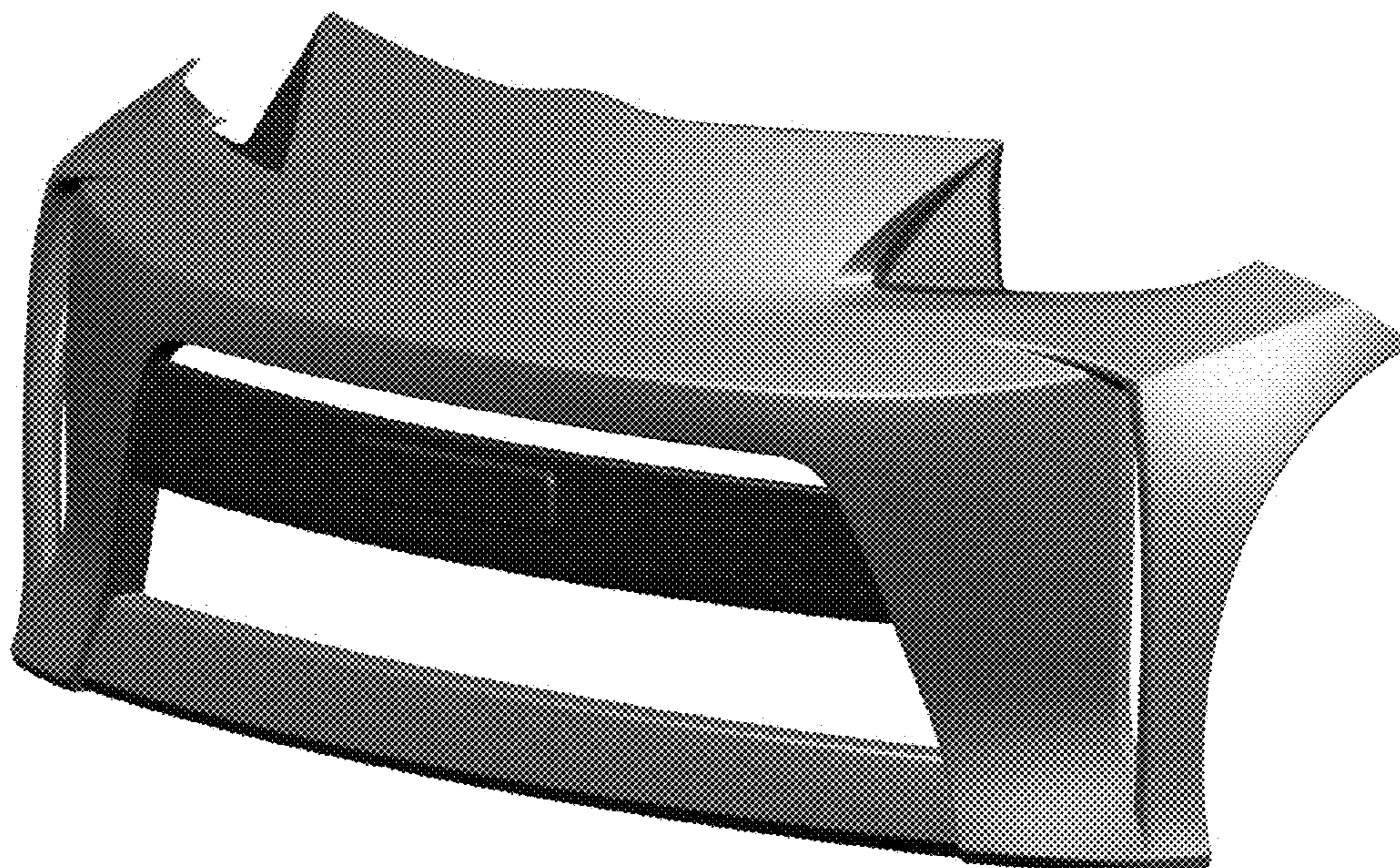


FIG. 1

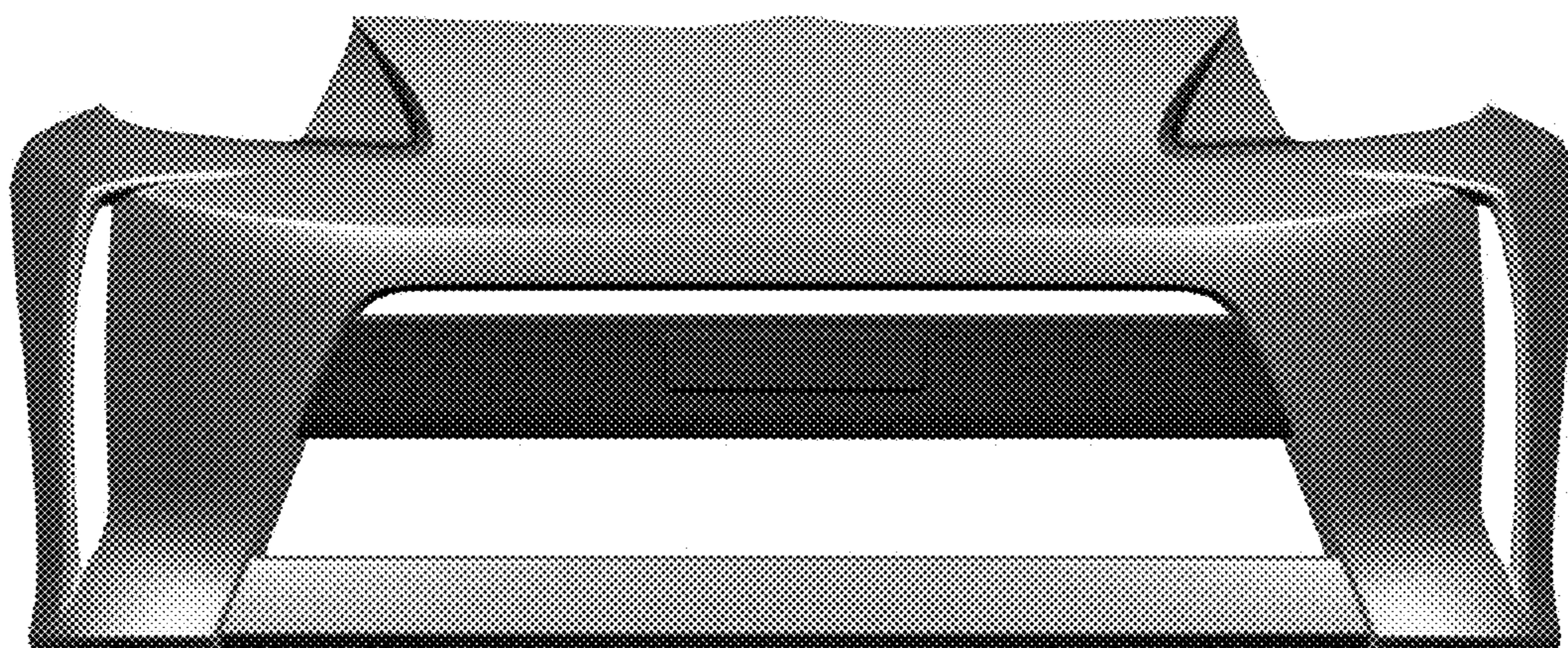


FIG. 2

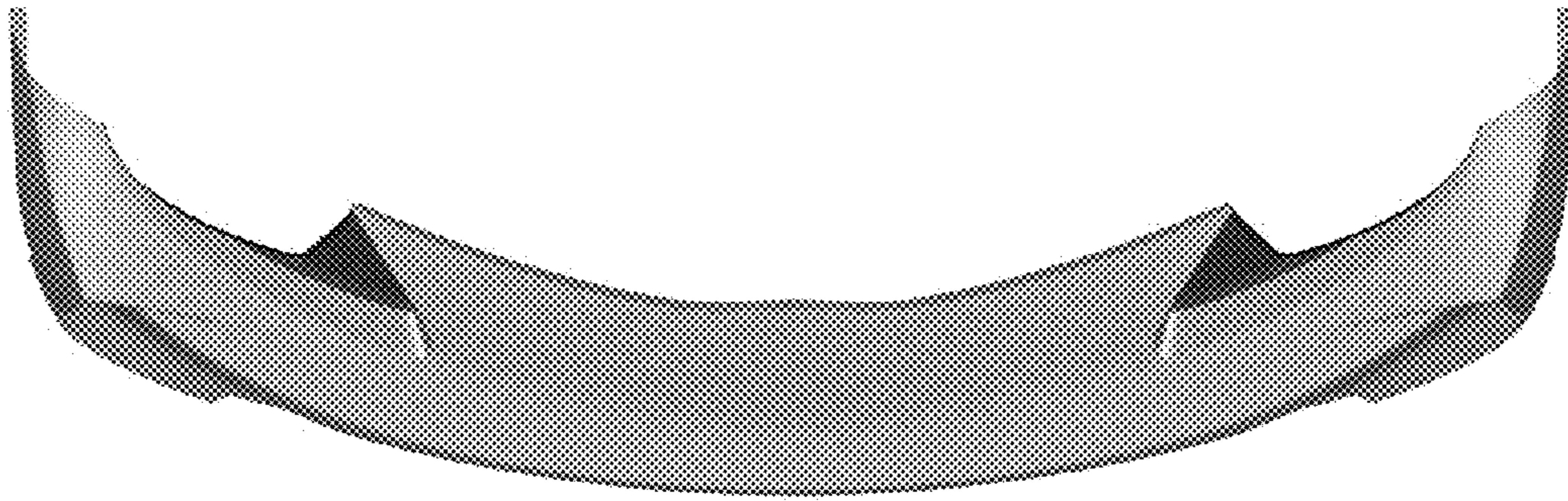


FIG. 3

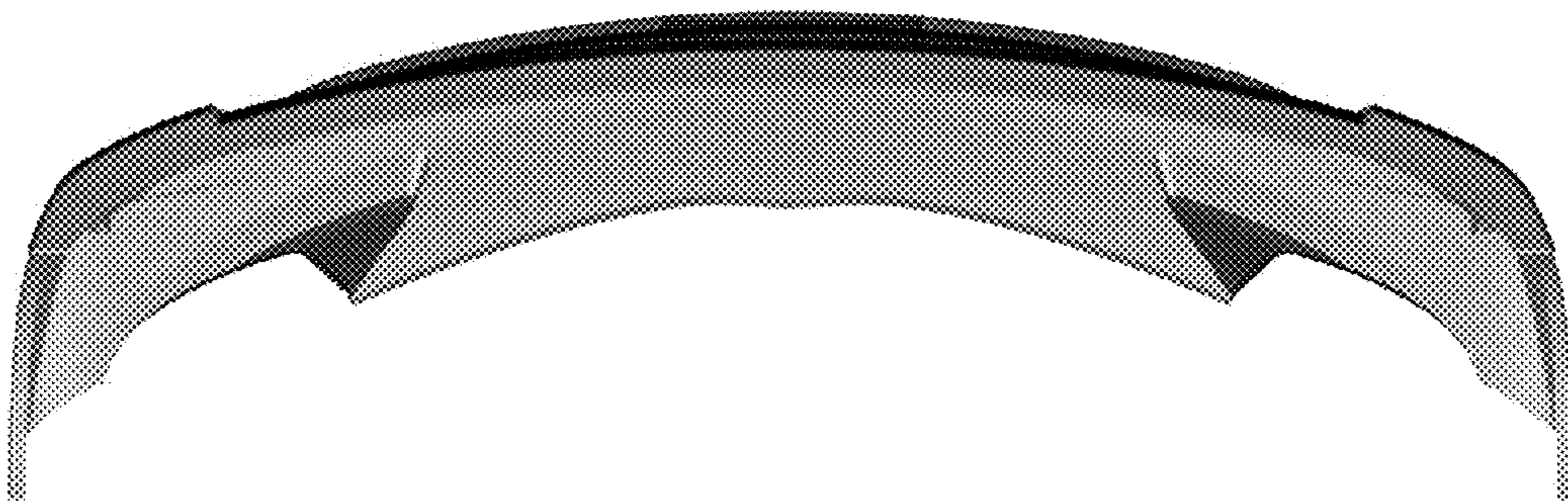


FIG. 4

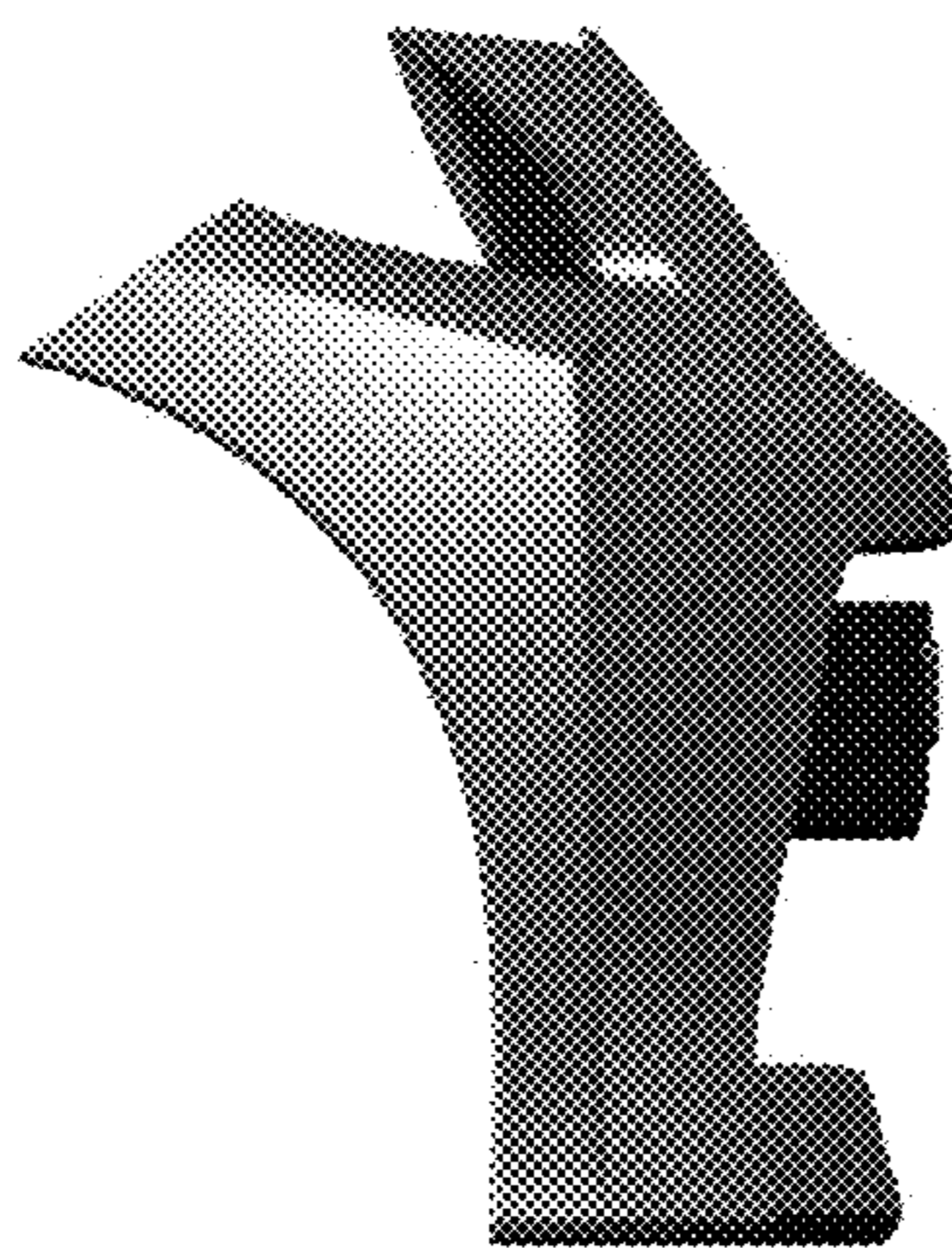


FIG. 5

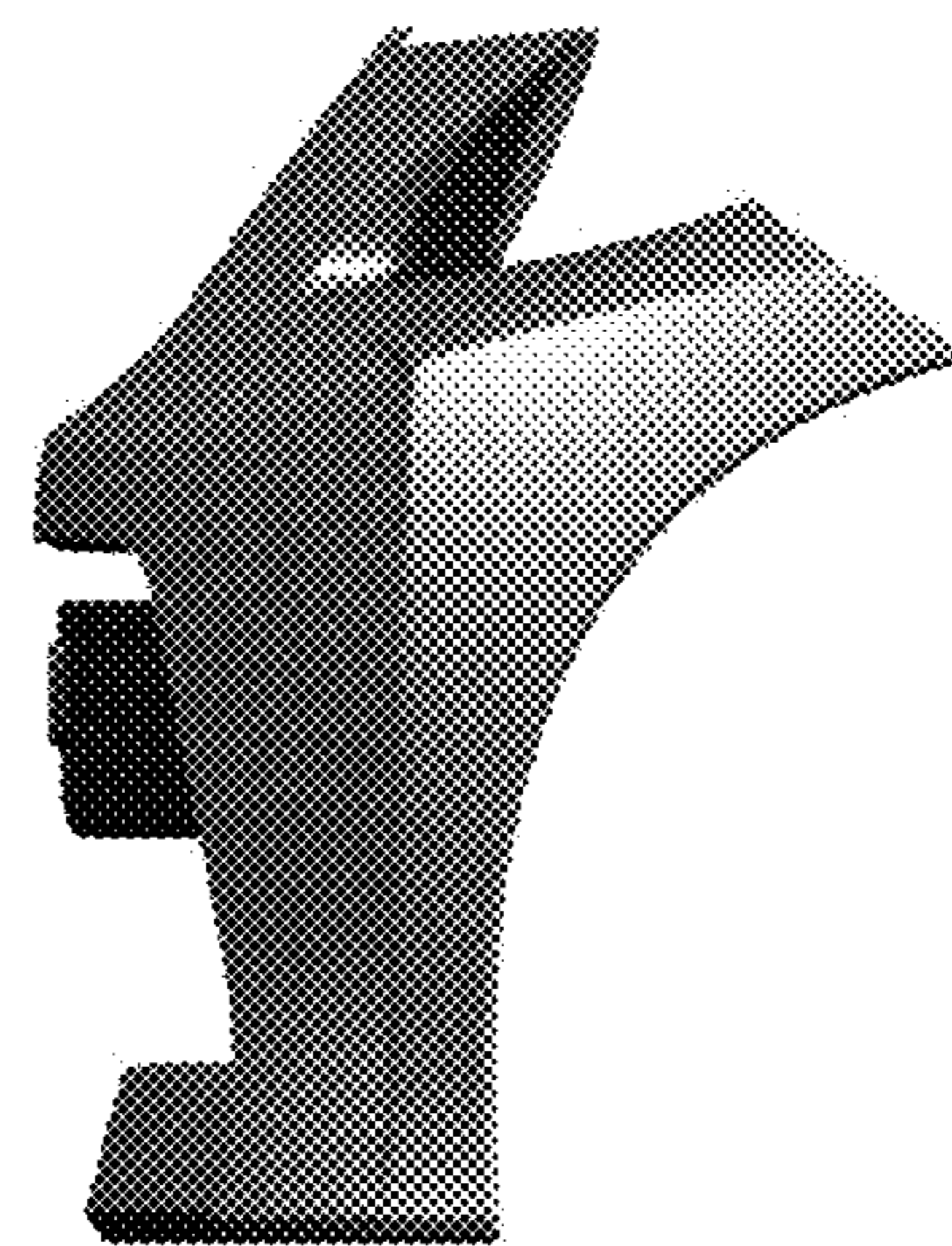


FIG. 6