



US00D678822S

(12) **United States Design Patent**
Armigliato et al.

(10) **Patent No.:** **US D678,822 S**
(45) **Date of Patent:** **** Mar. 26, 2013**

(54) **COMMERCIAL VEHICLE**

(75) Inventors: **Marco Armigliato**, Turin (IT);
Giuseppe Bruno, Turin (IT)

(73) Assignee: **Iveco S.p.A.**, Turin (IT)

(**) Term: **14 Years**

(21) Appl. No.: **29/407,206**

(22) Filed: **Nov. 23, 2011**

(30) **Foreign Application Priority Data**

May 26, 2011 (EM) 001869108-0001

(51) **LOC (9) Cl.** **12-08**

(52) **U.S. Cl.** **D12/93; D12/91**

(58) **Field of Classification Search** D12/83,
D12/84, 86, 91, 92, 93, 96, 97, 99, 100, 102,
D12/103, 105; D21/424, 433, 434, 581;
296/181.1, 181.5, 183.1; 280/1.12, 1.21;
180/89.16, 89.18, 89.19

See application file for complete search history.

(56) **References Cited**

U.S. PATENT DOCUMENTS

D55,617 S * 7/1920 Kammerer D12/89
D143,991 S * 2/1946 Powers D12/96
D259,190 S * 5/1981 Rowe D12/100
D316,531 S * 4/1991 Karapetian D12/99
D319,608 S * 9/1991 Dodgen D12/100
D364,591 S * 11/1995 Lewellen et al. D12/96
D392,597 S * 3/1998 Brounstein D12/97
D419,921 S * 2/2000 Mishler D12/99
D436,058 S * 1/2001 Demers et al. D12/1
D449,797 S * 10/2001 Gerzeny et al. D12/103
D459,411 S * 6/2002 Berger D21/552

D466,449 S * 12/2002 Buring et al. D12/93
D466,836 S * 12/2002 Kerouanton et al. D12/93
D491,844 S * 6/2004 Poulin D12/93
D514,029 S * 1/2006 Truong D12/99
D531,546 S * 11/2006 Fillion et al. D12/84
D549,616 S * 8/2007 Pfeiffer D12/96
D550,122 S * 9/2007 Pfeiffer D12/91
D555,539 S * 11/2007 Pfeiffer D12/91
D555,540 S * 11/2007 Pfeiffer D12/91
D556,635 S * 12/2007 Pfeiffer D12/91
D556,636 S * 12/2007 Pfeiffer D12/91
D602,418 S * 10/2009 Connors D12/401
D610,040 S * 2/2010 Thompson et al. D12/91
D646,203 S * 10/2011 Thompson et al. D12/91
D656,866 S * 4/2012 Wise D12/93

* cited by examiner

Primary Examiner — Philip S Hyder

Assistant Examiner — John T Applewhite

(74) *Attorney, Agent, or Firm* — Stetina Brunda Garred & Brucker

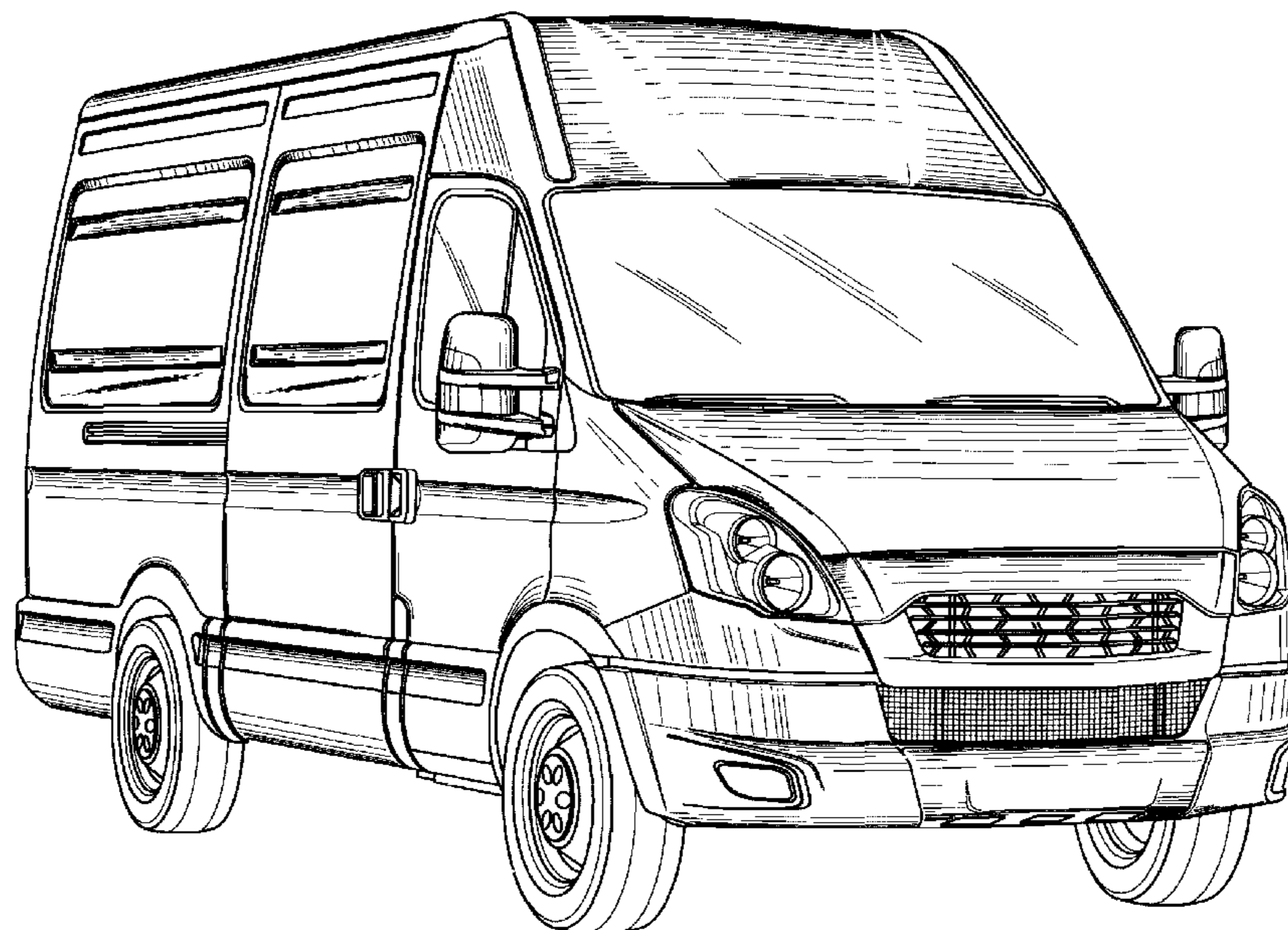
(57) **CLAIM**

The ornamental design for a commercial vehicle, as shown and described.

DESCRIPTION

FIG. 1 is a front perspective view of the commercial vehicle of the present invention showing our new design;
FIG. 2 is a rear end view thereof;
FIG. 3 is a front end view thereof;
FIG. 4 is a left side elevation view thereof;
FIG. 5 is a right side elevation view thereof; and,
FIG. 6 is a top plan view of the commercial vehicle.
The broken lines shown are for illustration purposes and form no part of the claimed design.

1 Claim, 6 Drawing Sheets



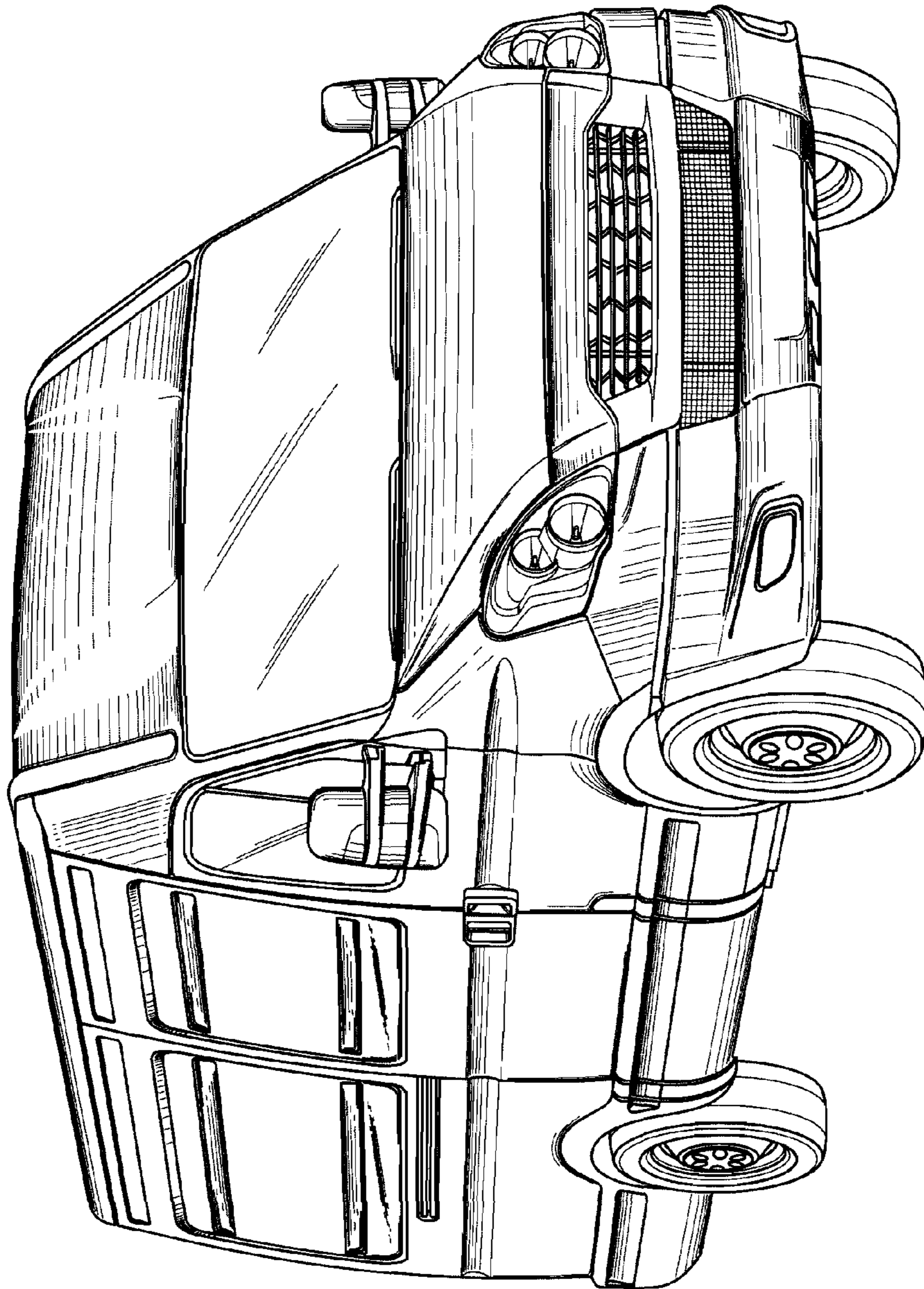


FIG. 1

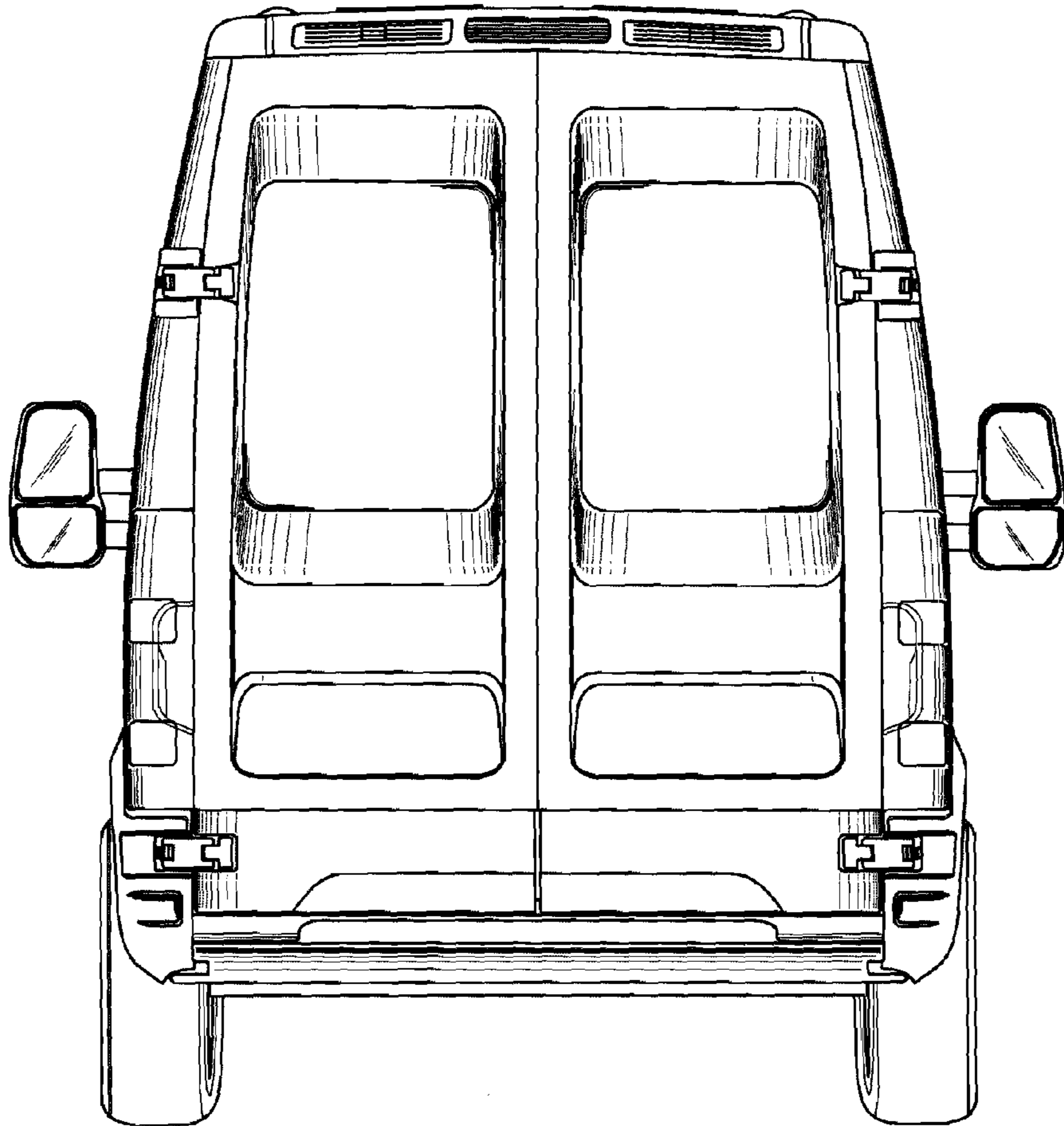


FIG. 2

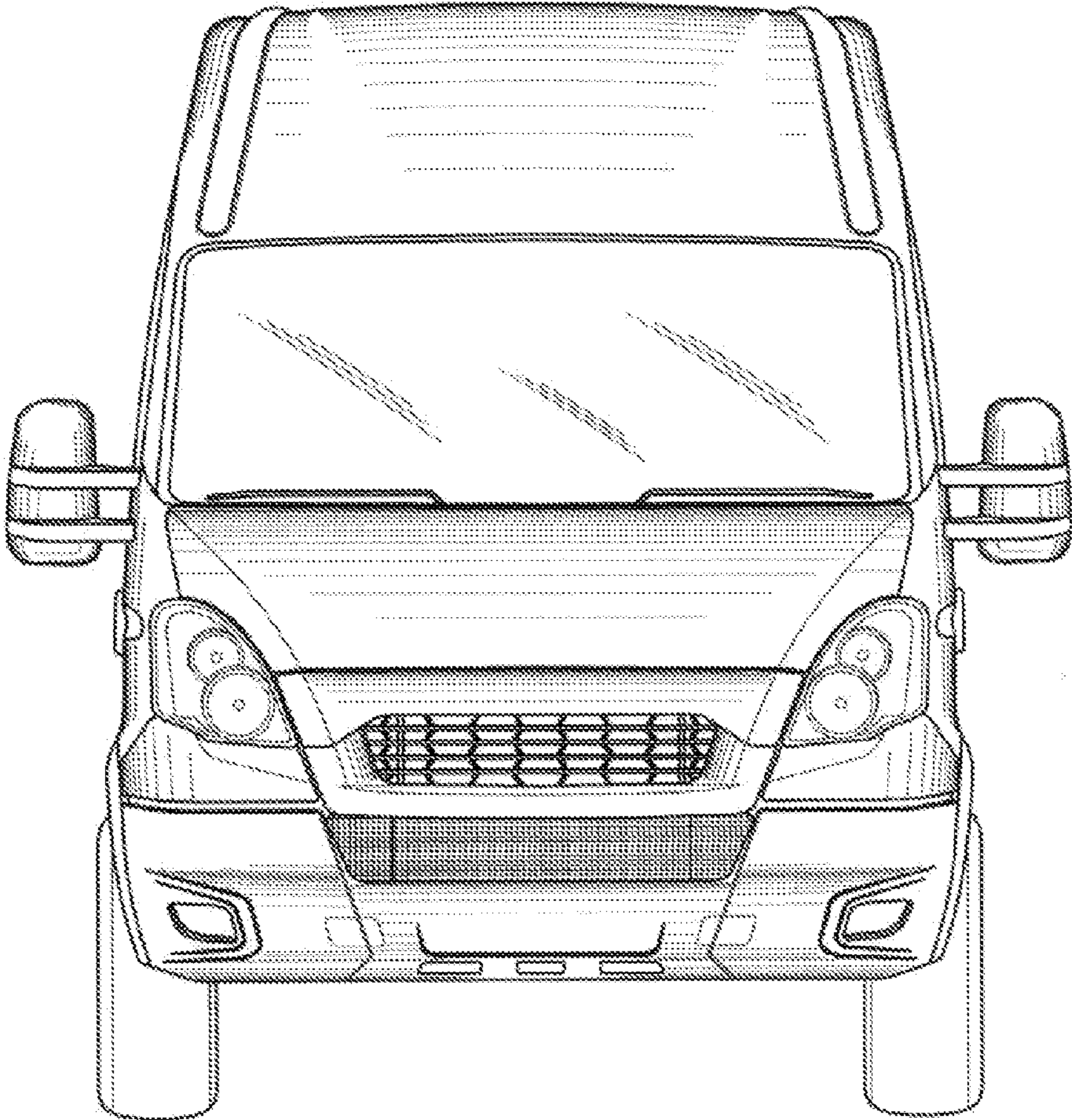


FIG. 3

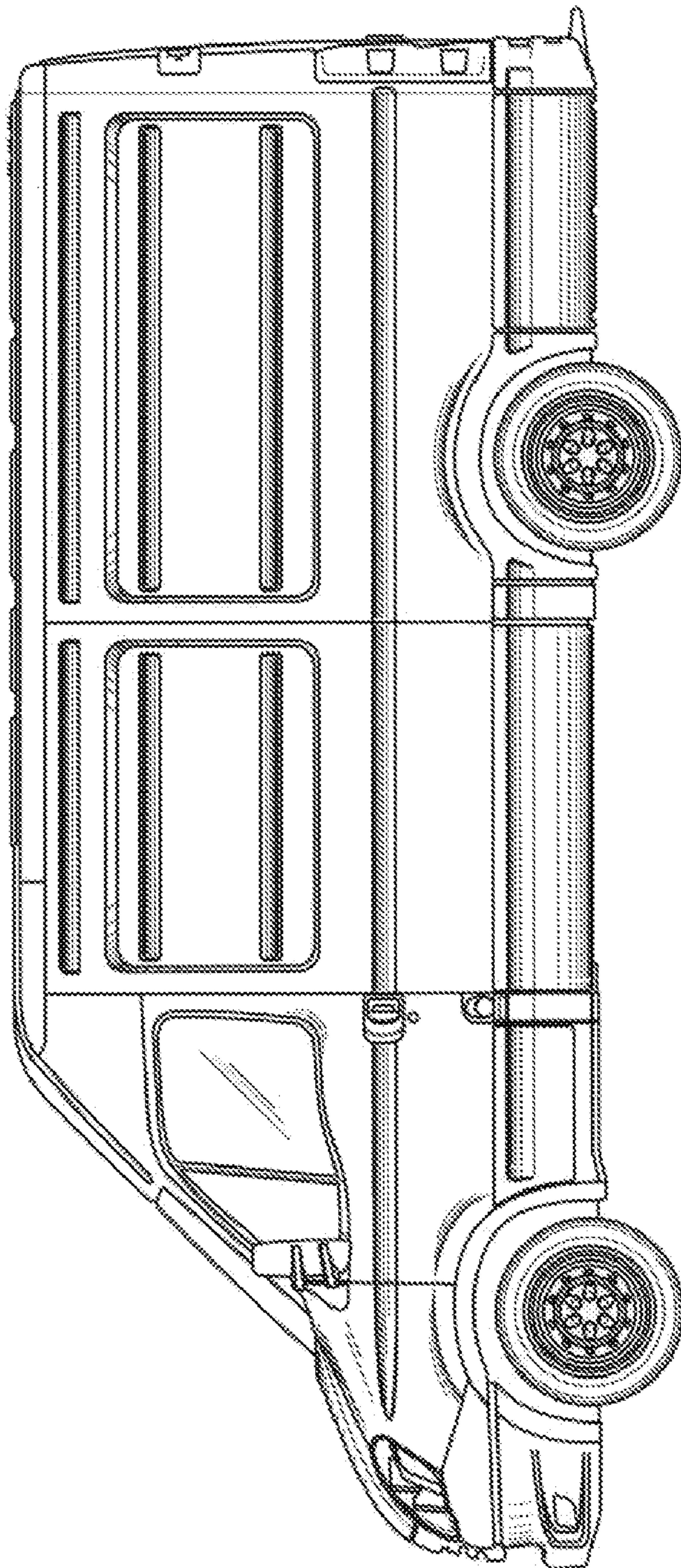


FIG. 4

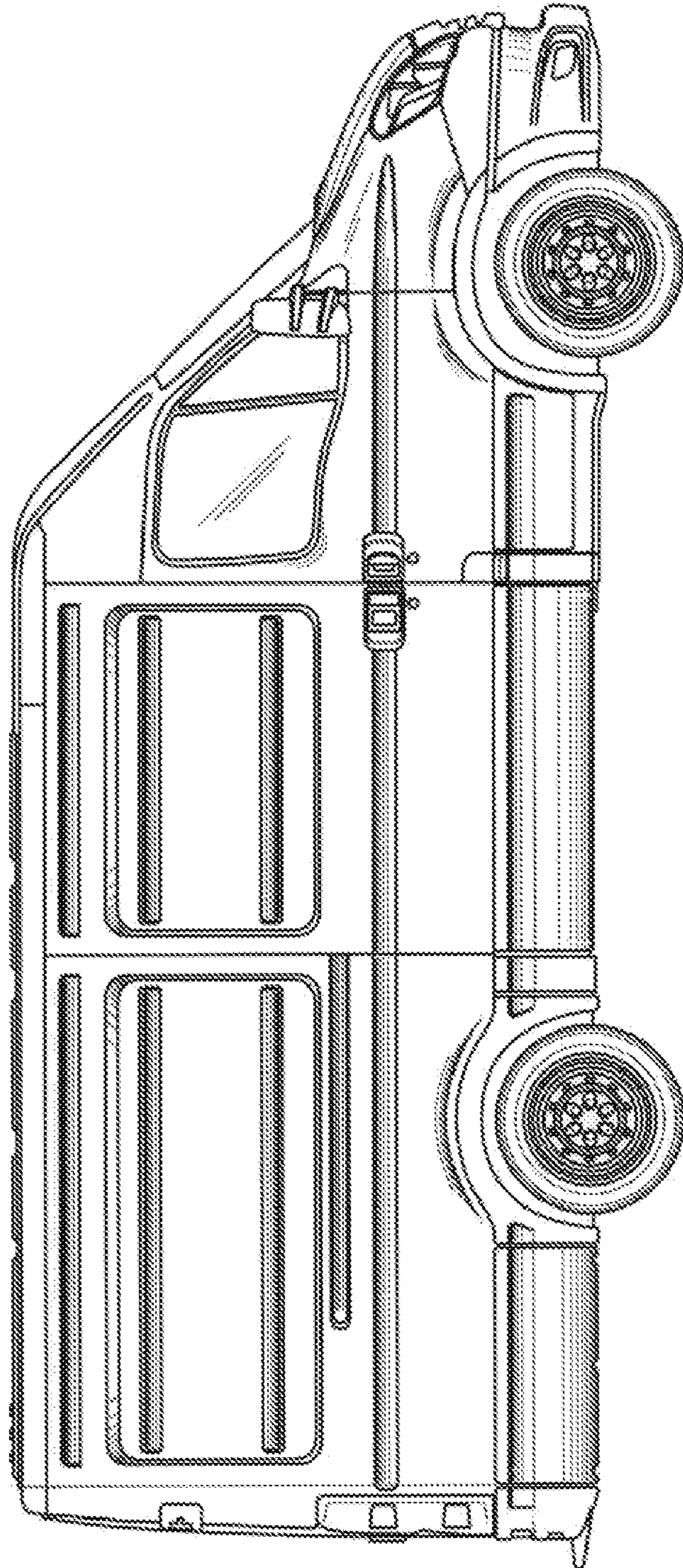


FIG. 5

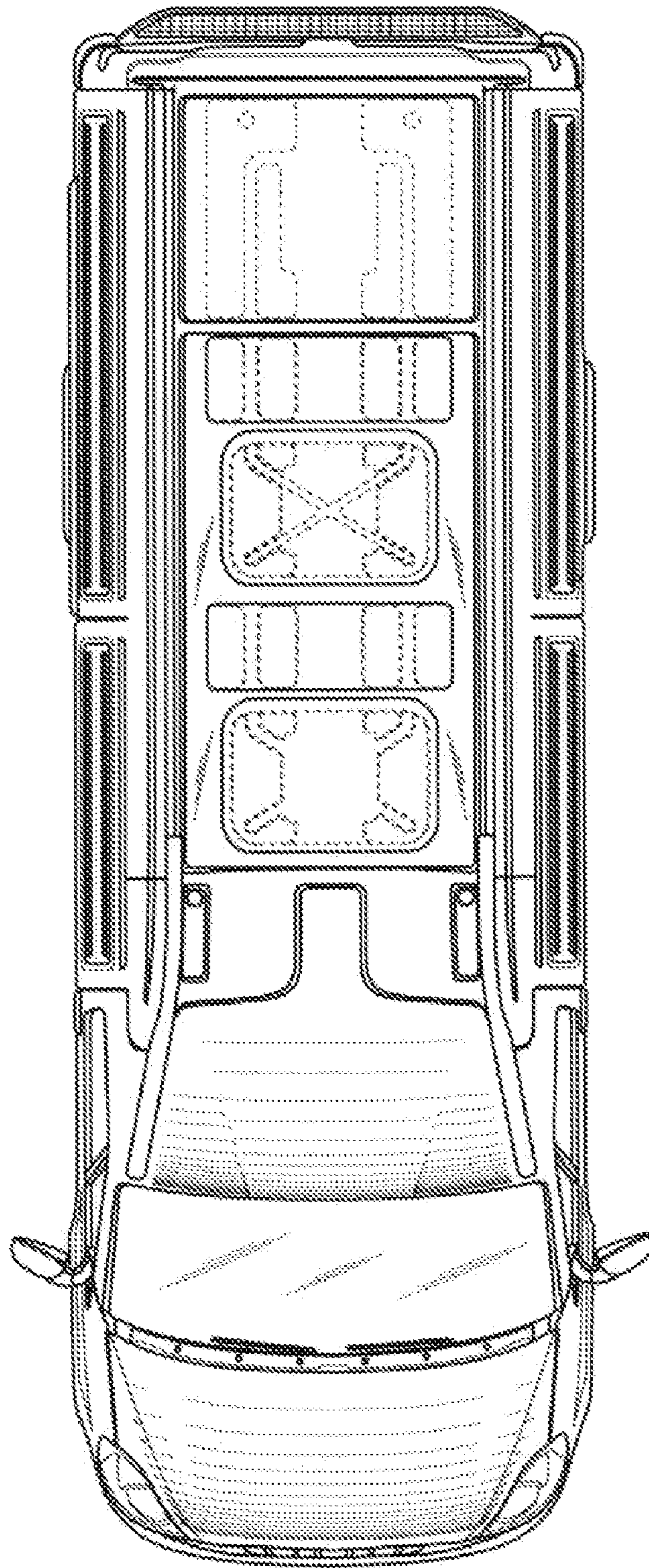


FIG. 6