



US00D678820S

(12) **United States Design Patent**
Song et al.

(10) **Patent No.:** **US D678,820 S**
(45) **Date of Patent:** **** Mar. 26, 2013**

(54) **VEHICLE BODY**

(75) Inventors: **In Ho Song**, Troy, MI (US); **Timothy P. Kozub**, Troy, MI (US)

(73) Assignee: **GM Global Technology Operations LLC**, Detroit, MI (US)

(**) Term: **14 Years**

(21) Appl. No.: **29/406,032**

(22) Filed: **Nov. 9, 2011**

(51) **LOC (9) Cl.** **12-08**

(52) **U.S. Cl.** **D12/91**

(58) **Field of Classification Search** D12/86,
D12/90-92, 88; D21/424, 433, 434; 296/181.1,
296/181.5

See application file for complete search history.

(56) **References Cited**

U.S. PATENT DOCUMENTS

D605,978 S	12/2009	Wolff et al.	
D608,690 S	1/2010	Folden et al.	
D608,691 S	1/2010	Zak, Jr. et al.	
D613,645 S	4/2010	Song et al.	
D630,133 S *	1/2011	Eum	D12/91
D636,705 S *	4/2011	Ward	D12/91
D655,648 S *	3/2012	Imaida et al.	D12/91
D657,715 S *	4/2012	Hakamata et al.	D12/91

OTHER PUBLICATIONS

U.S. Appl. No. 29/406,041, filed Nov. 9, 2011; First Named Inventor: Morio Ikeda; Title: Vehicle Body.

* cited by examiner

Primary Examiner — Melody N Brown

(74) *Attorney, Agent, or Firm* — Reising Ethington P.C.;
Lionel D. Anderson

(57) **CLAIM**

The ornamental design for a vehicle body, as shown and described.

DESCRIPTION

FIG. 1 is a front view of a vehicle body showing the new design;

FIG. 2 is a left front perspective view thereof;

FIG. 3 is a top view thereof;

FIG. 4 is a left side view thereof;

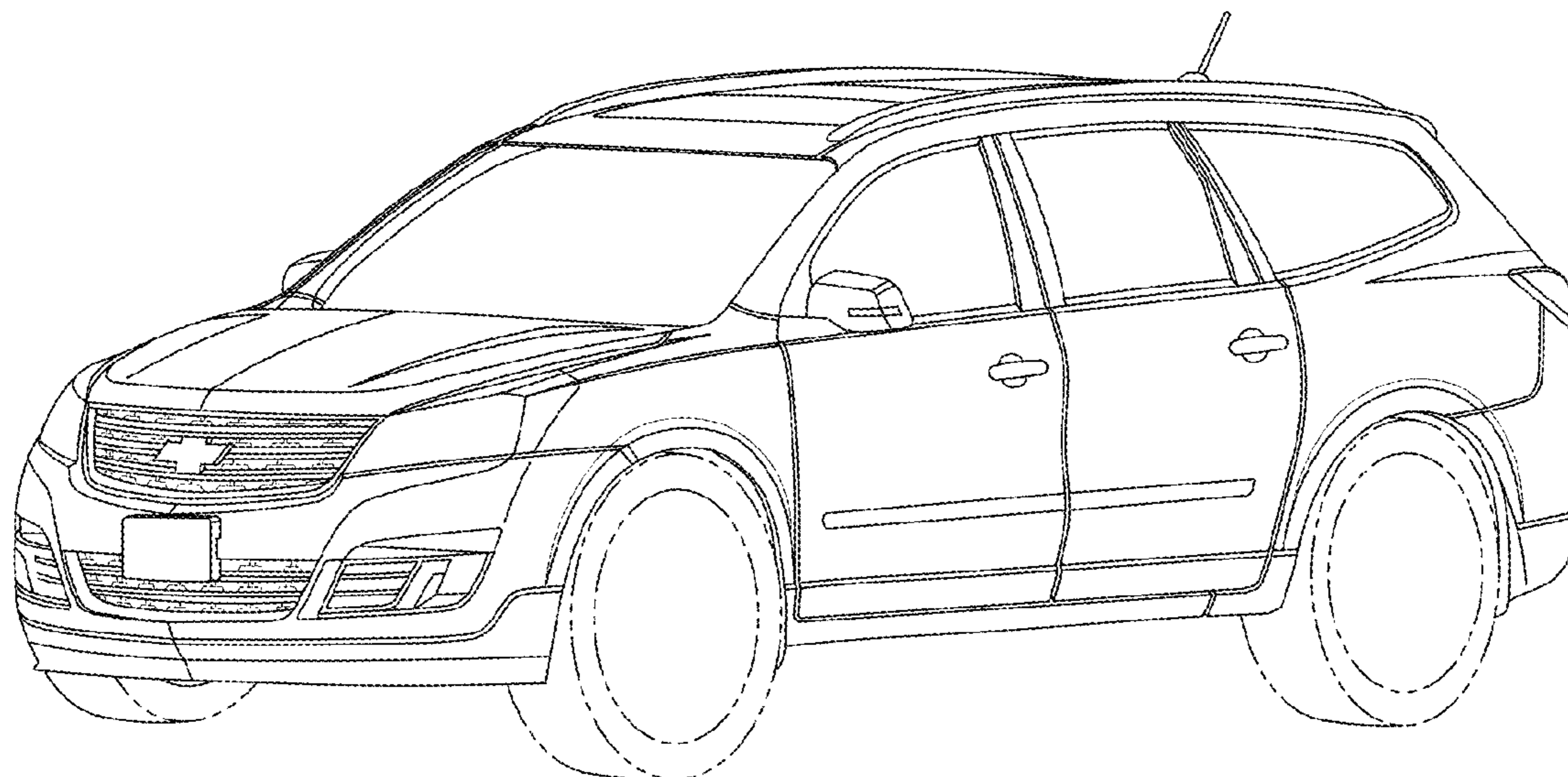
FIG. 5 is a left rear perspective view thereof;

FIG. 6 is a rear view thereof; and,

FIG. 7 is a right side view thereof.

In the drawings, the elements shown in broken lines are for illustrative purposes only and form no part of the claimed design.

1 Claim, 7 Drawing Sheets



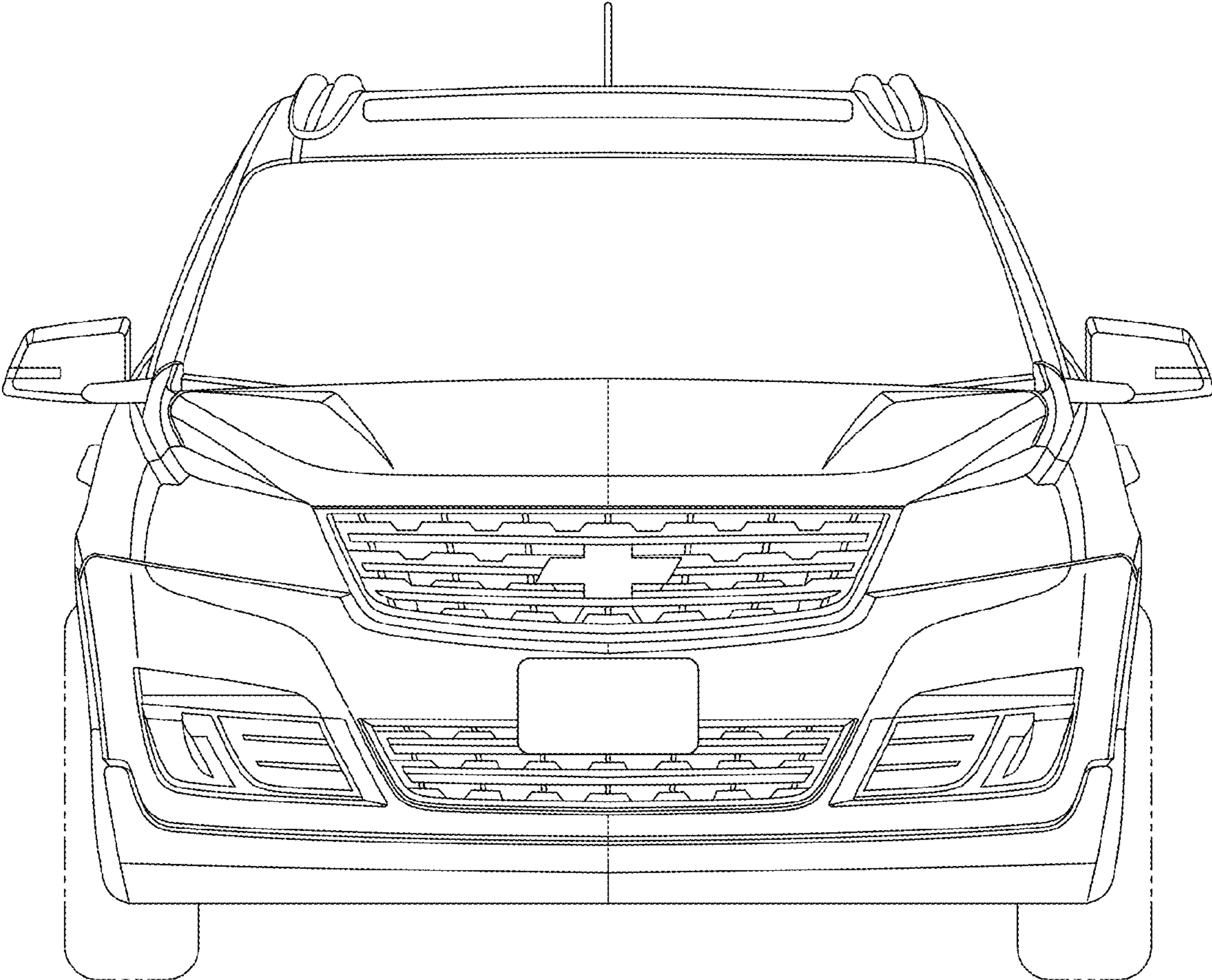


Fig-1

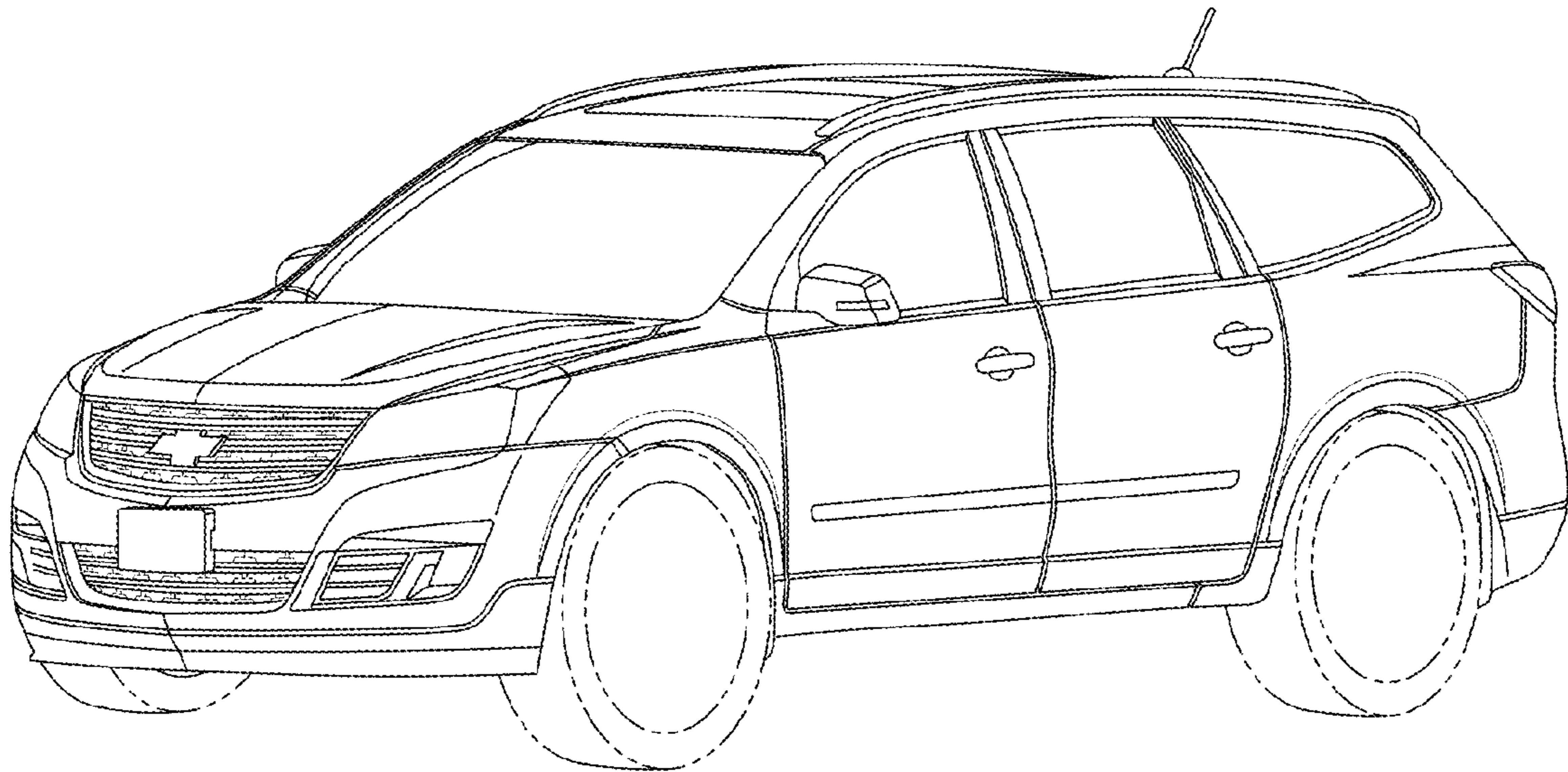


Fig-2

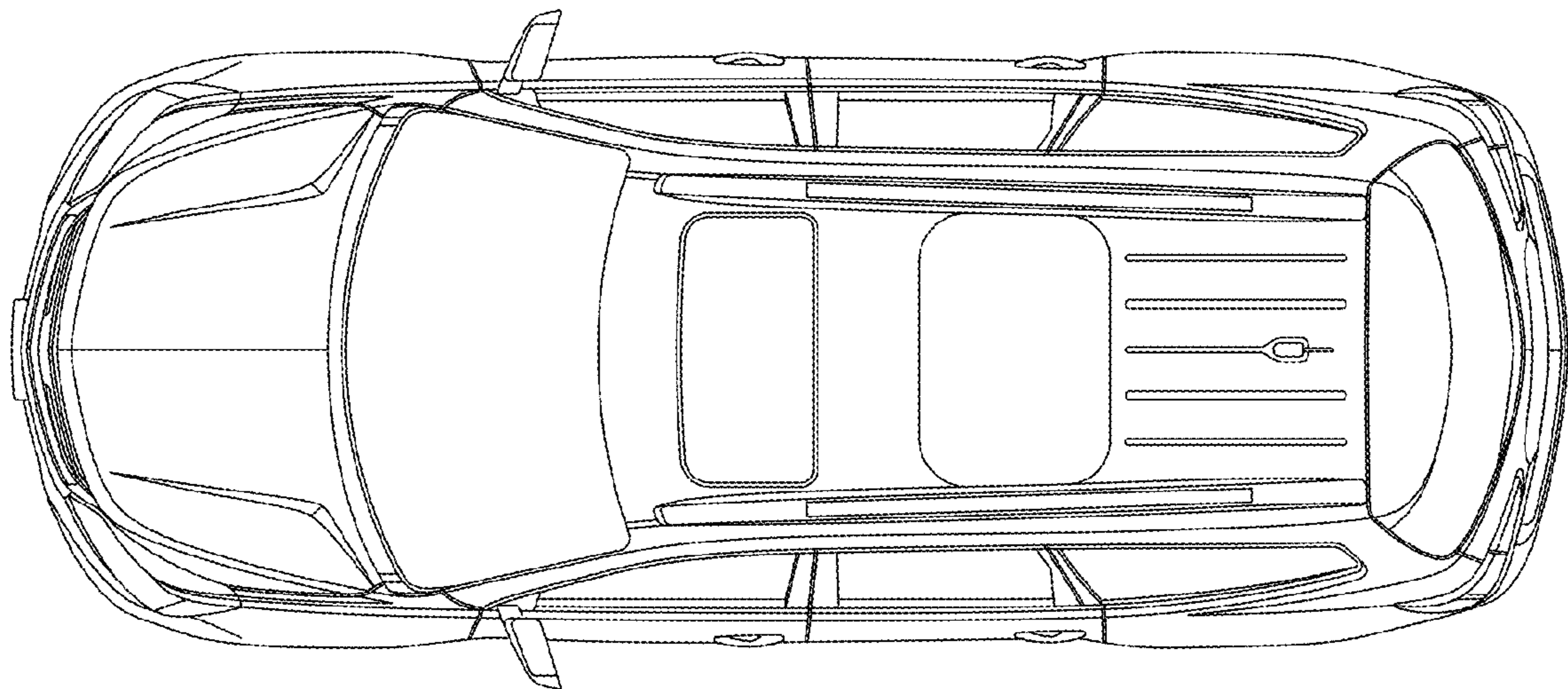


Fig-3

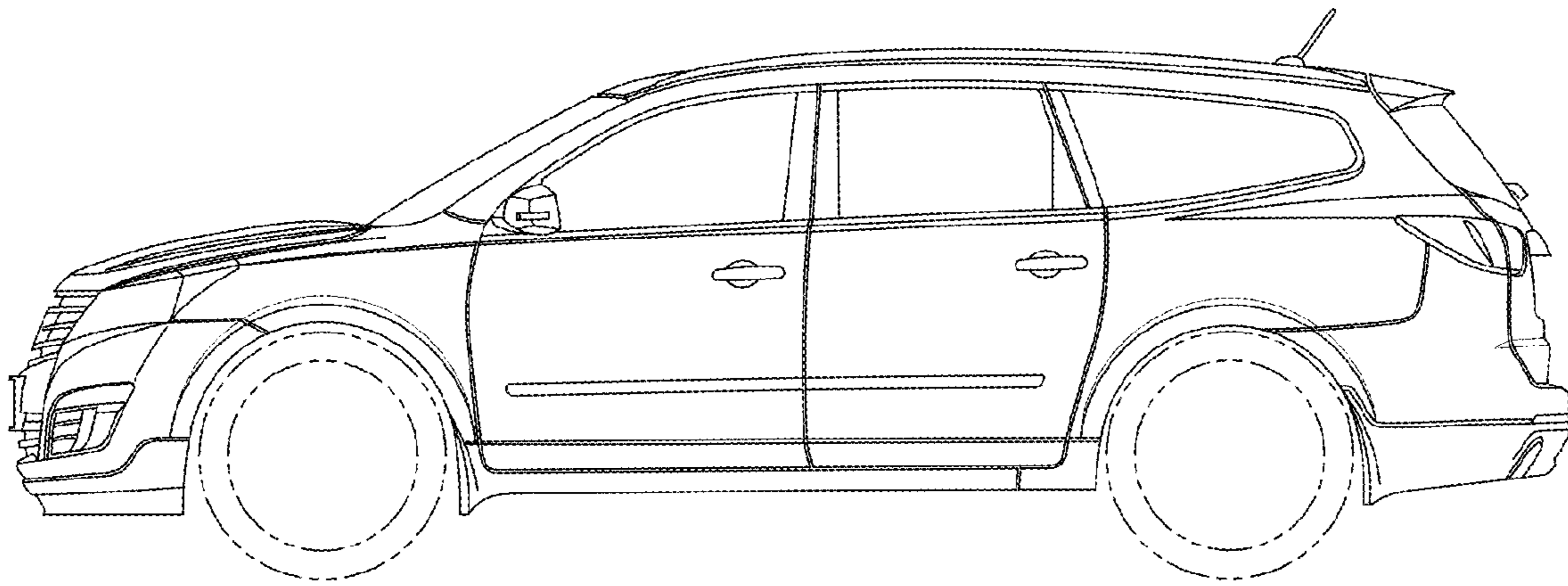


Fig-4

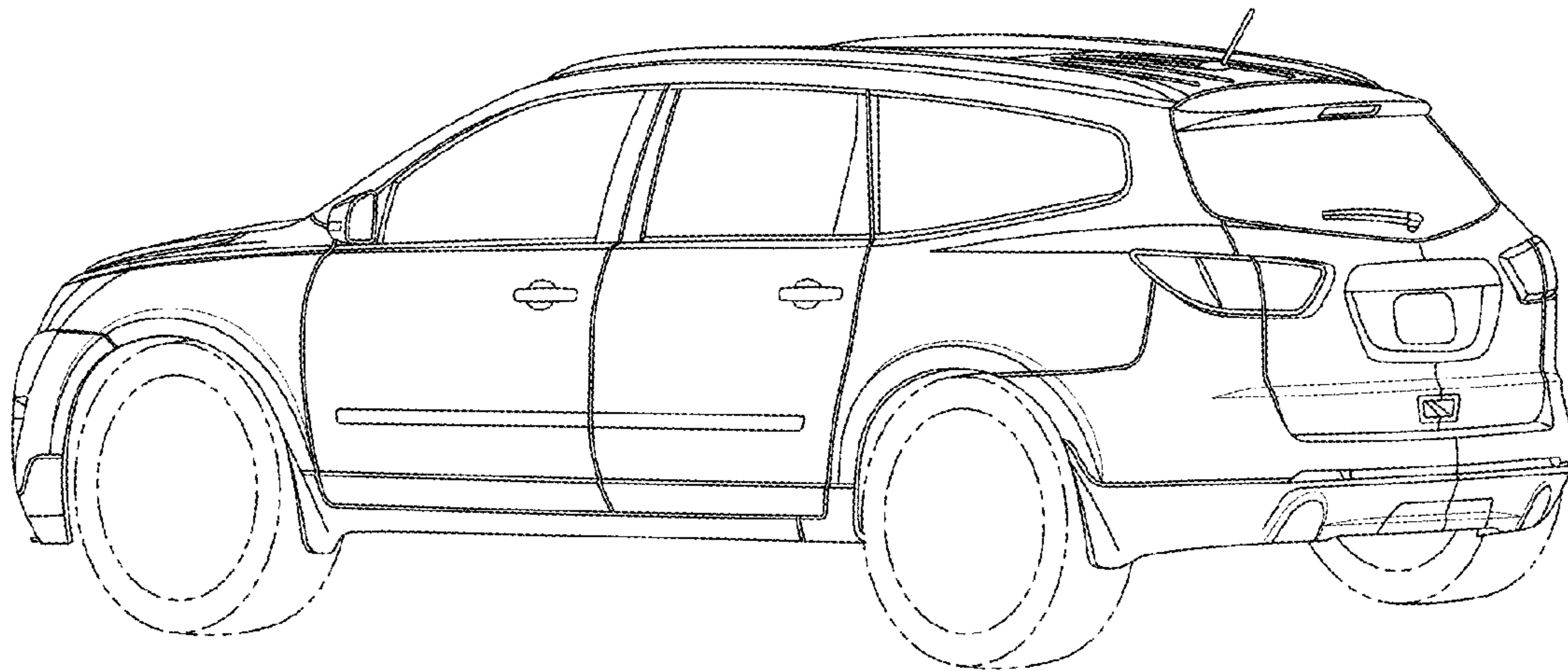


Fig-5

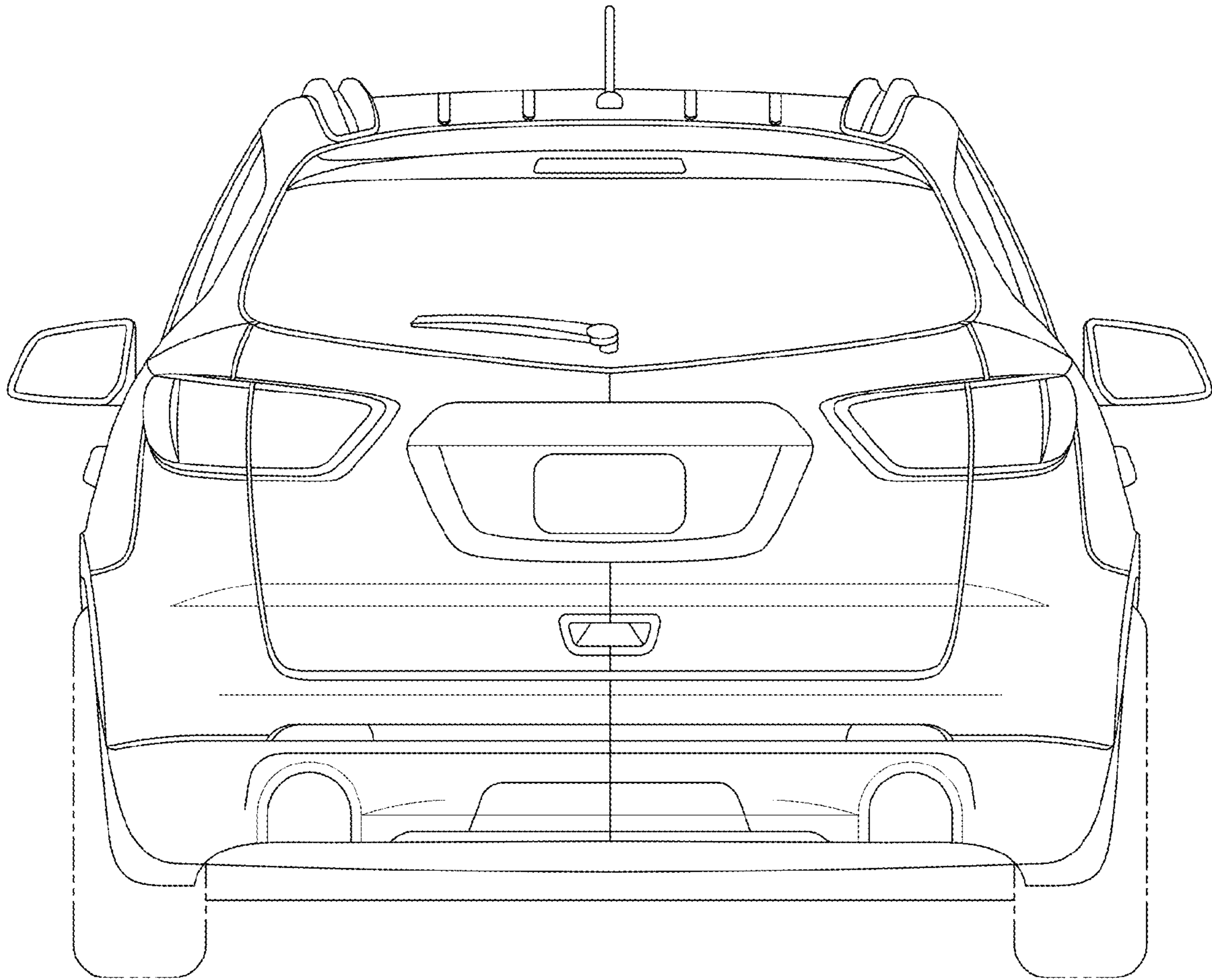


Fig-6

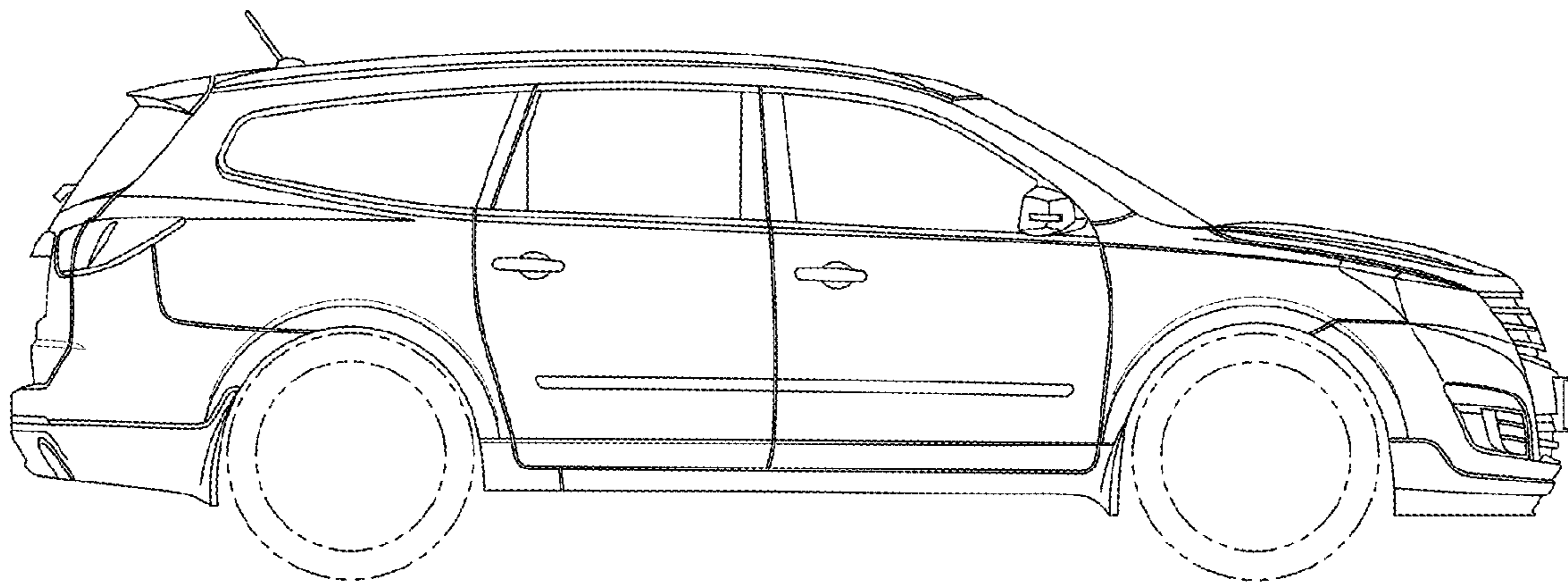


Fig-7