



US00D678817S

(12) **United States Design Patent**  
**Clift**

(10) **Patent No.:** **US D678,817 S**  
(45) **Date of Patent:** **\*\* Mar. 26, 2013**

(54) **MONORAIL VEHICLE**  
(76) Inventor: **Will R. Clift**, Mount Ida, AR (US)  
(\*\*) Term: **14 Years**  
(21) Appl. No.: **29/430,767**  
(22) Filed: **Aug. 29, 2012**  
(51) **LOC (9) Cl.** ..... **12-03**  
(52) **U.S. Cl.** ..... **D12/37**  
(58) **Field of Classification Search** ..... D12/36-51;  
14/71.1; 105/238.2, 329.1, 330; 104/146,  
104/148 MS, 281-286, DIG. 1  
See application file for complete search history.

D596,988 S \* 7/2009 Chomiak ..... D12/36  
7,823,512 B2 11/2010 Timan et al.  
D646,605 S \* 10/2011 Okuyama et al. .... D12/36  
2001/0022147 A1 9/2001 Hara et al.

\* cited by examiner

*Primary Examiner* — T. Chase Nelson  
*Assistant Examiner* — Ania Aman  
(74) *Attorney, Agent, or Firm* — QuickPatents; Kevin Prince

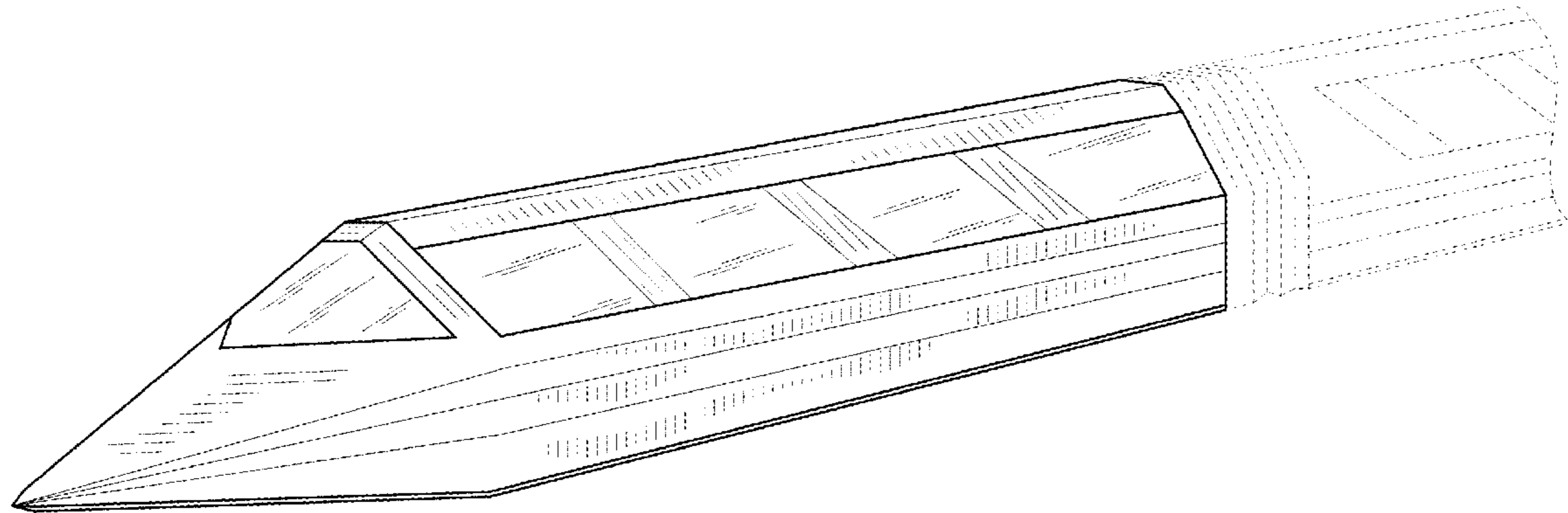
(57) **CLAIM**  
I claim the ornamental design for a monorail vehicle, as shown and described.

**DESCRIPTION**

FIG. 1 is a perspective view of a monorail vehicle, showing my new design;  
FIG. 2 is a front elevational view thereof;  
FIG. 3 is a left-side elevational view thereof, the right-side elevational view being a mirror image thereof;  
FIG. 4 is a top plan view thereof; and,  
FIG. 5 is a bottom plan view thereof.  
The broken lines showing a connector and trailing vehicle in the figures depict environmental matter and form no part of the claimed design.  
The rear view forms no part of the claimed design.

(56) **References Cited**  
**U.S. PATENT DOCUMENTS**  
512,174 A 1/1894 Evans  
1,064,141 A 6/1913 Gorham  
3,095,828 A 7/1963 Deller  
D215,503 S 10/1969 Bradley  
3,817,183 A 6/1974 Hill et al.  
4,573,413 A 3/1986 Eberle  
D292,971 S \* 12/1987 Frech et al. .... D12/37  
4,996,928 A 3/1991 Janssen et al.  
D344,304 S 2/1994 Hemmelsbach  
5,511,488 A \* 4/1996 Powell et al. .... 104/282  
D478,842 S \* 8/2003 Deschenes et al. .... D12/43  
D499,047 S \* 11/2004 Meissner ..... D12/37

**1 Claim, 2 Drawing Sheets**



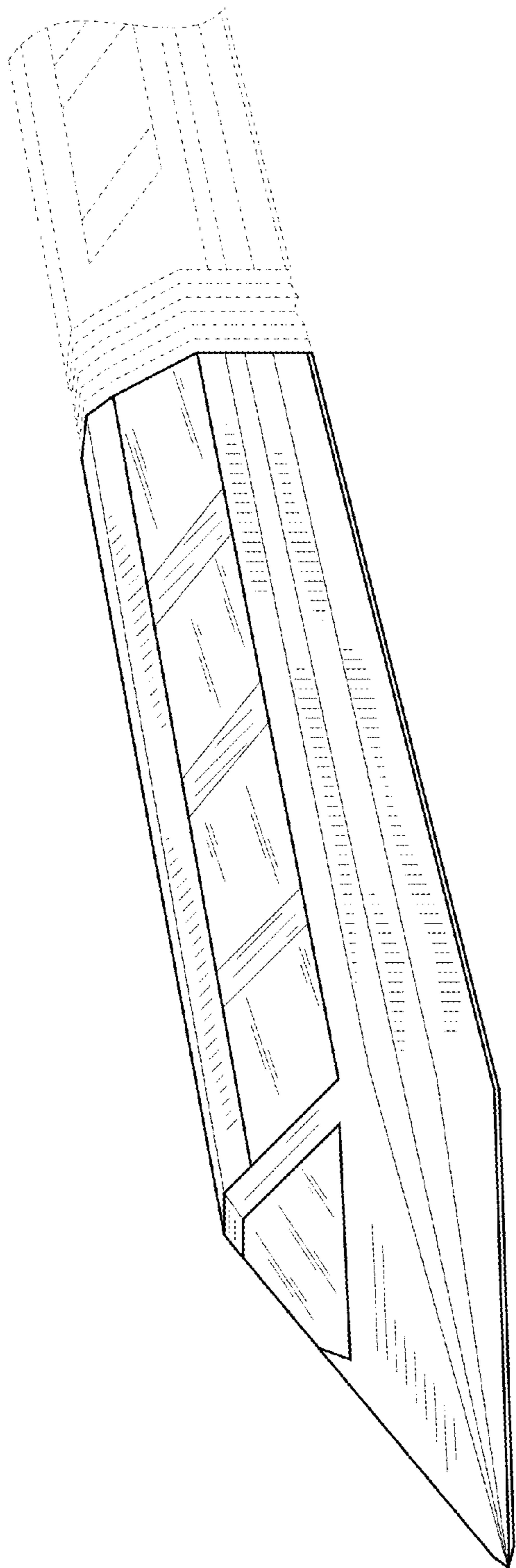


FIG. 1

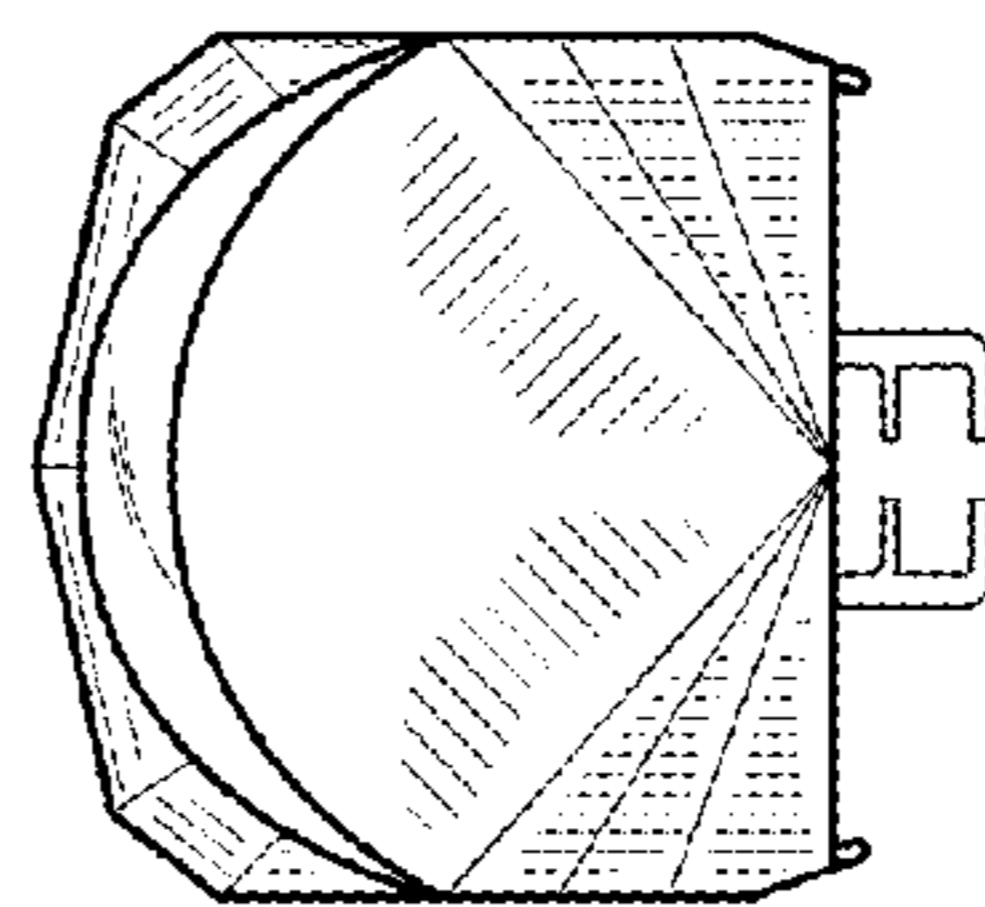


FIG. 2

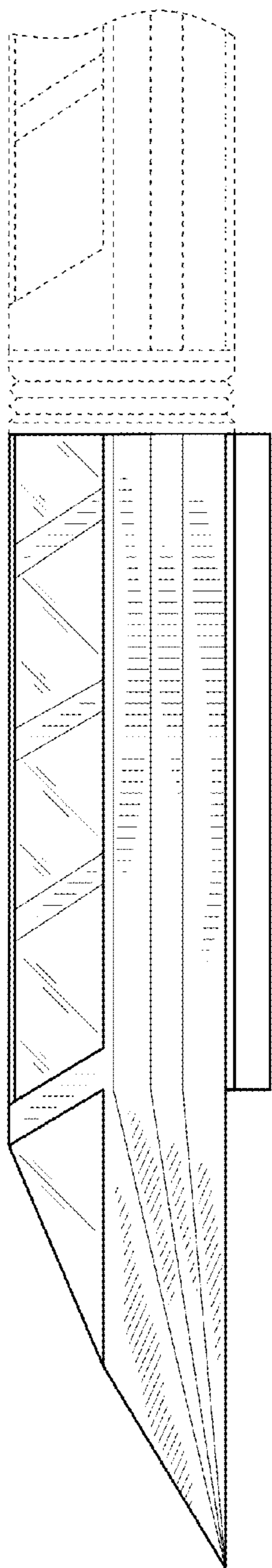


FIG. 3

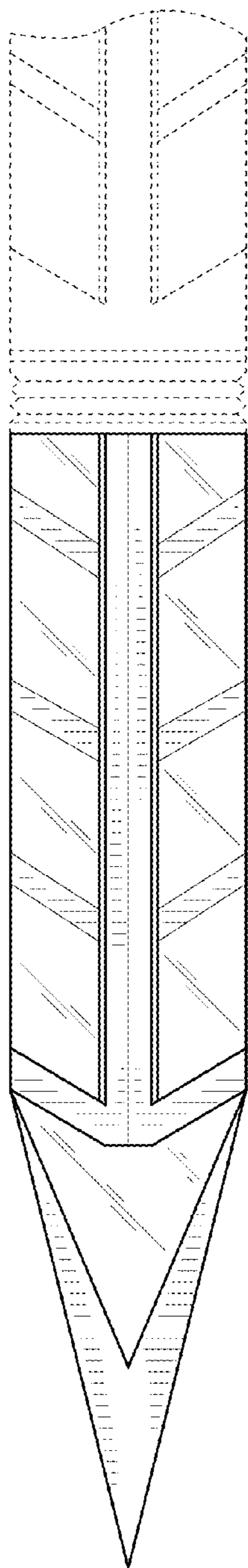


FIG. 4

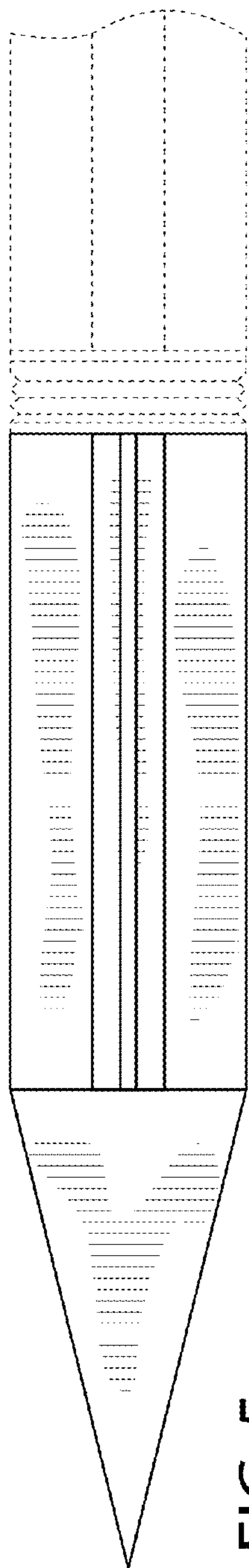


FIG. 5