



US00D678816S

(12) **United States Design Patent**  
**Chan**

(10) **Patent No.:** **US D678,816 S**

(45) **Date of Patent:** **\*\* Mar. 26, 2013**

(54) **SNAP BUTTON ASSEMBLY**

(75) Inventor: **Yick Fai Chan**, Tsing Yi (HK)

(73) Assignee: **Duraflex Hong Kong Limited**, Tsuen Wan (HK)

(\*\*) Term: **14 Years**

(21) Appl. No.: **29/372,678**

(22) Filed: **Dec. 23, 2010**

(51) **LOC (9) Cl.** ..... **02-07**

(52) **U.S. Cl.** ..... **D11/220**

(58) **Field of Classification Search** ..... D11/220,  
D11/222, 226, 218; 24/1, 681, 689-691,  
24/18, 683, 108, 674, 692, 621-623, 671,  
24/662, 618, 113 R; 292/319; D8/382  
See application file for complete search history.

(56) **References Cited**

U.S. PATENT DOCUMENTS

1,358,098	A	11/1920	Normand	
1,832,830	A *	11/1931	Fenton	24/681
2,131,347	A	9/1938	Fenton	
2,212,361	A	8/1940	Arthur	
2,519,316	A	8/1950	Jones	
2,546,716	A	3/1951	Bedford, Jr.	
2,668,340	A	2/1954	Jones	
2,799,910	A	7/1957	Weber	
2,941,270	A	6/1960	Long	
2,981,992	A	5/1961	Jawoll	
3,083,430	A	4/1963	Shears	
3,152,376	A	10/1964	Boser et al.	
3,195,201	A *	7/1965	Ash, II	24/689
3,290,744	A	12/1966	Silver	
3,328,854	A	7/1967	Tombari	

(Continued)

FOREIGN PATENT DOCUMENTS

CN 2354410(Y) 12/1999

*Primary Examiner* — T. Chase Nelson

*Assistant Examiner* — Mark Cavanna

(74) *Attorney, Agent, or Firm* — Collard & Roe, P.C.

(57) **CLAIM**

The ornamental design for snap button assembly, as shown and described.

**DESCRIPTION**

FIG. 1 is a side view of a snap button assembly showing my new design, with all other side views being identical;

FIG. 2 is a top view thereof;

FIG. 3 is a bottom view thereof;

FIG. 4 is a side cross-sectional view along lines IV-IV of FIG. 1, showing the design of the interior portions of the snap button assembly;

FIG. 5 is a side view of the female portion of the snap button assembly, with the male portion being removed for ease of illustration;

FIG. 6 is a top perspective view of the female portion shown in FIG. 5;

FIG. 7 is a side cross-sectional view along lines VII-VII of FIG. 6;

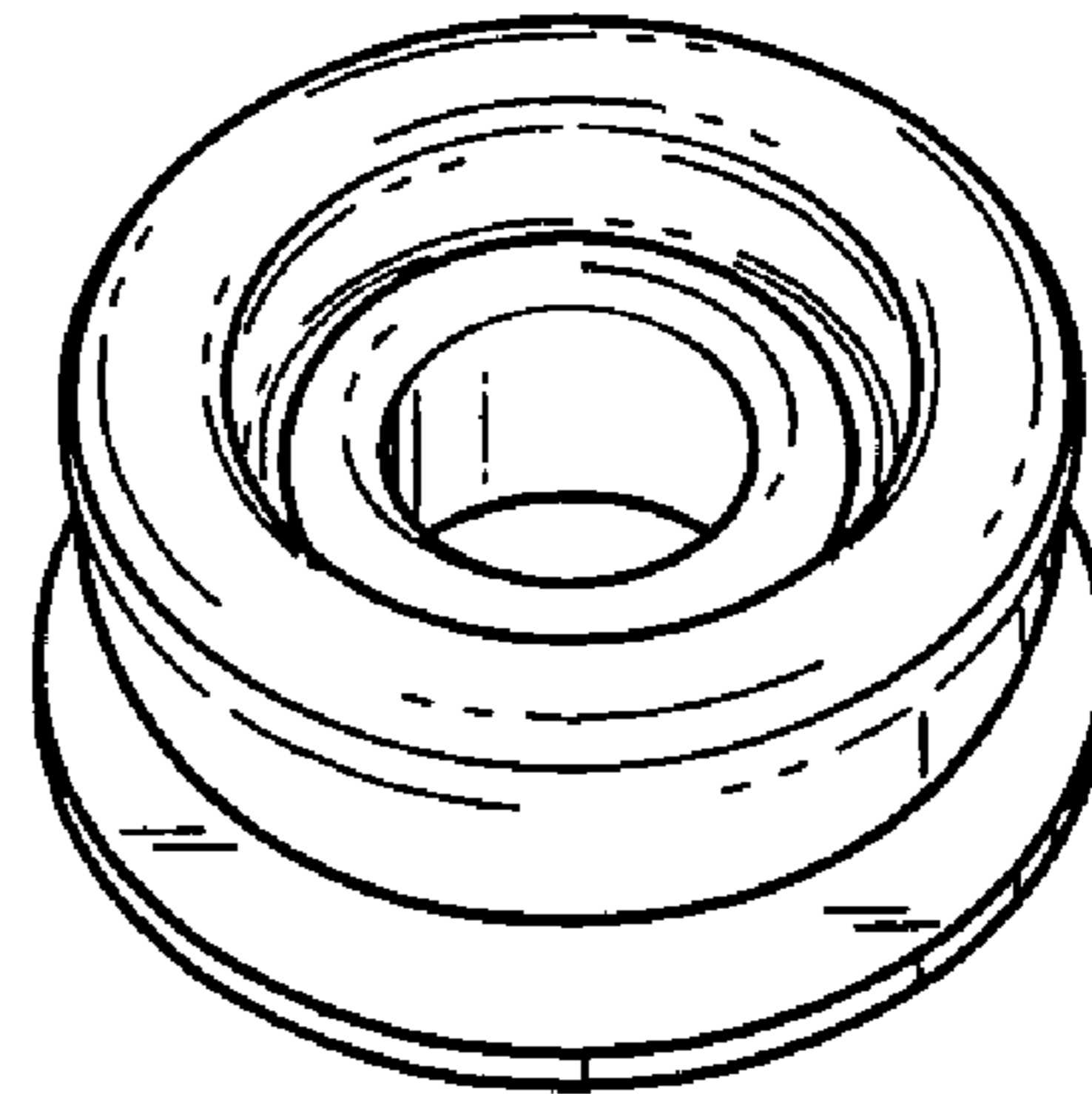
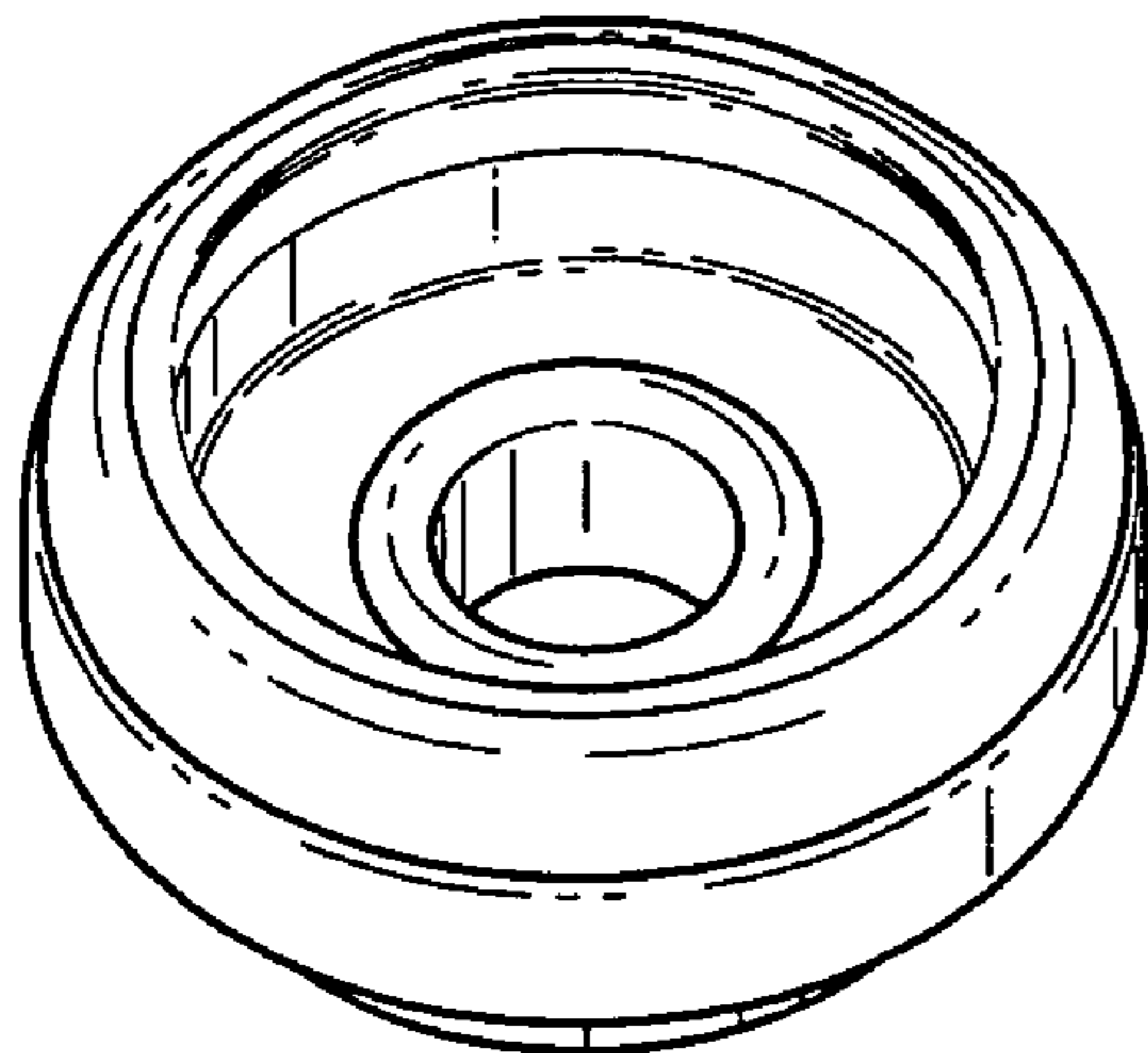
FIG. 8 is a side view of the male portion of the snap button assembly, with the female portion being removed for ease of illustration;

FIG. 9 is a top and side perspective view of the male portion of FIG. 8; and,

FIG. 10 is a side cross-sectional view of the male portion along lines X-X of FIG. 8.

The portions shown in broken lines show environmental structure only and form no part of the claimed invention.

**1 Claim, 4 Drawing Sheets**



# US D678,816 S

Page 2

## U.S. PATENT DOCUMENTS

3,333,306 A *	8/1967	Daddona, Jr. ....	24/691	4,847,959 A	7/1989	Shimada et al.	
3,551,963 A	1/1971	Mosher, Jr. et al.		5,003,673 A *	4/1991	Nysten .....	24/662
3,783,477 A	1/1974	Hamilton et al.		5,101,541 A	4/1992	Watanabe	
3,916,756 A	11/1975	Yoda		5,212,851 A	5/1993	Wantanabe	
3,965,952 A	6/1976	Rivman et al.		D350,501 S	9/1994	Schriever	
4,475,273 A	10/1984	Konno		5,375,302 A	12/1994	Takamura	
4,509,232 A *	4/1985	Kanzaka .....	24/113 R	D367,438 S	2/1996	Schriever	
4,539,735 A *	9/1985	Kasai .....	24/621	5,642,558 A	7/1997	Bodkin, Sr.	
4,562,624 A	1/1986	Kanzaka		5,745,964 A *	5/1998	Luer et al. ....	24/687
4,698,881 A	10/1987	Watanabe		5,933,929 A	8/1999	Kawakami et al.	
4,751,773 A	6/1988	Nysten		5,940,940 A	8/1999	Tanikoshi et al.	
4,805,272 A	2/1989	Yamaguchi		D415,717 S	10/1999	Akashi	
4,805,273 A	2/1989	Burke et al.		6,076,240 A *	6/2000	Henzler .....	24/662
D301,566 S	6/1989	Heiberger		D473,820 S	4/2003	Ming	
D301,567 S	6/1989	Burke		D493,388 S *	7/2004	Candotti .....	D11/226

\* cited by examiner

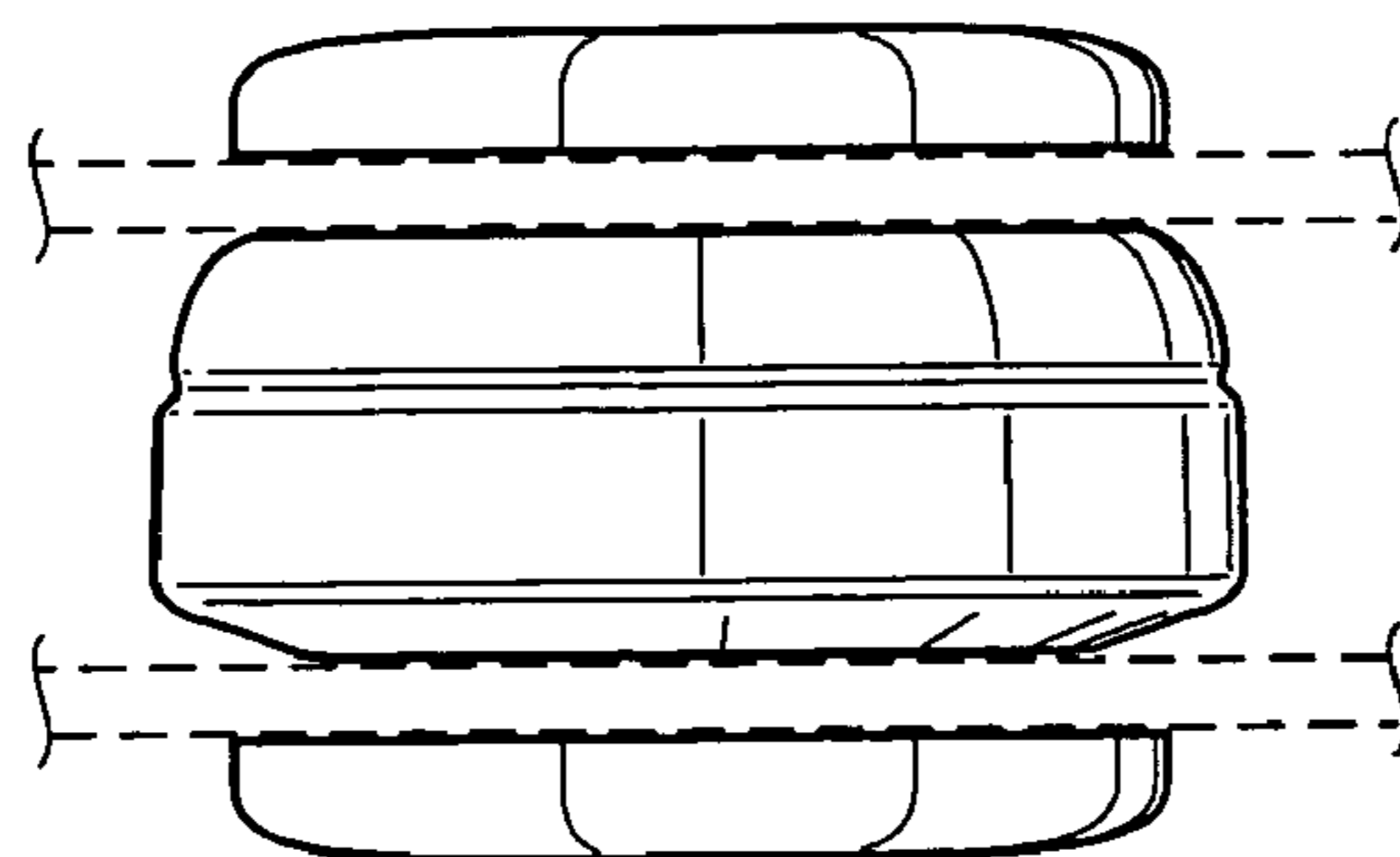


FIG. 1

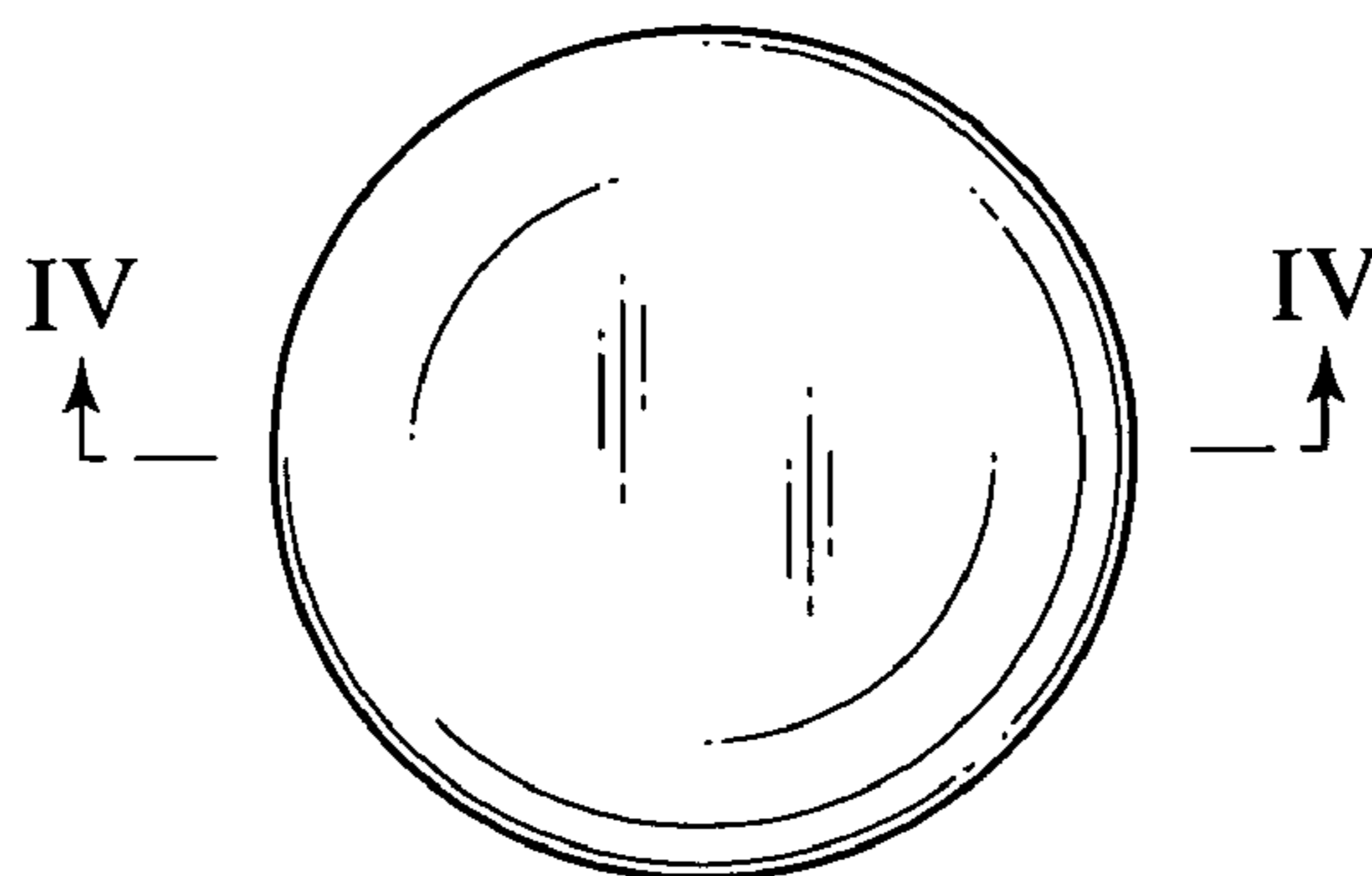


FIG. 2

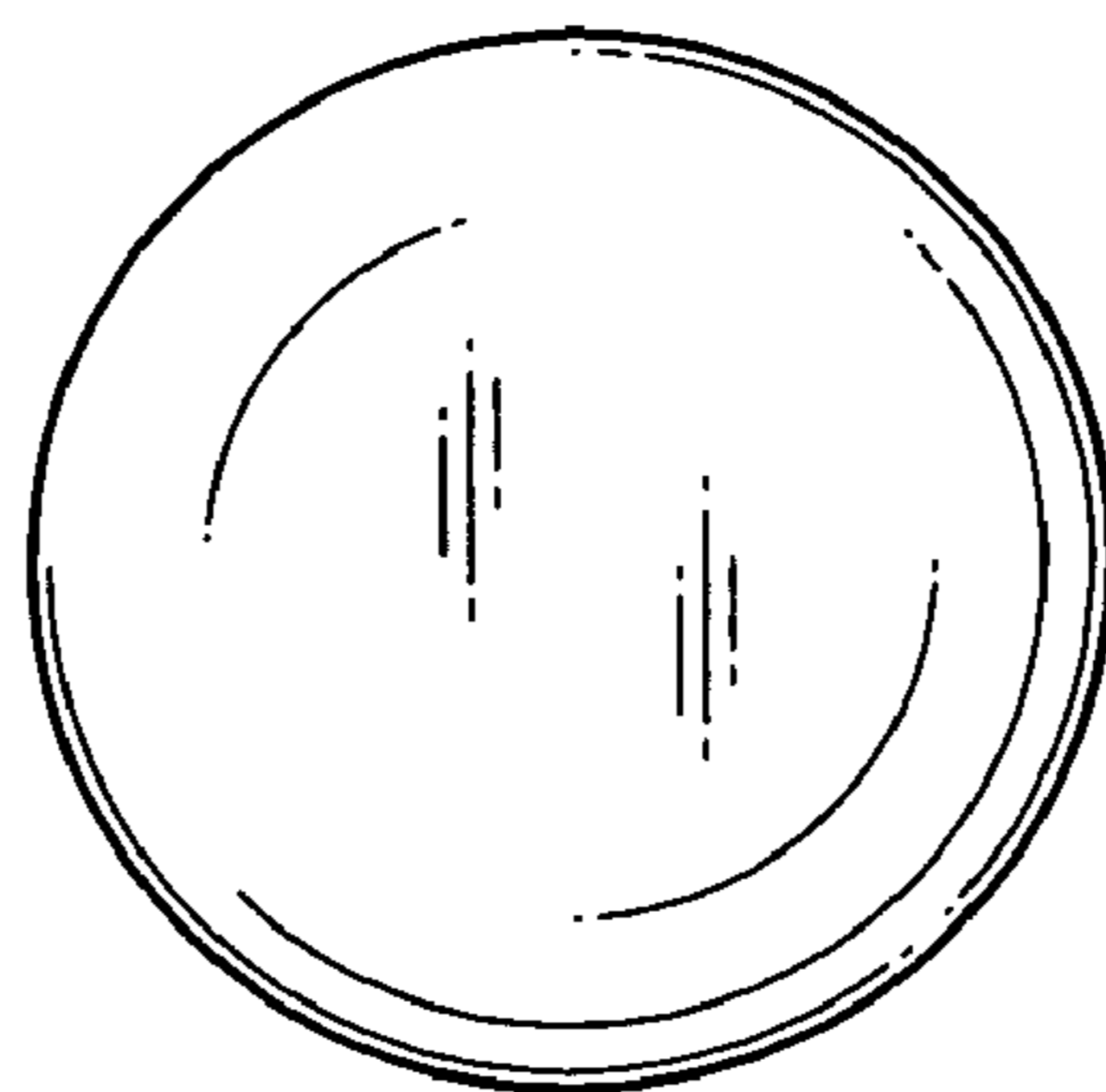


FIG. 3

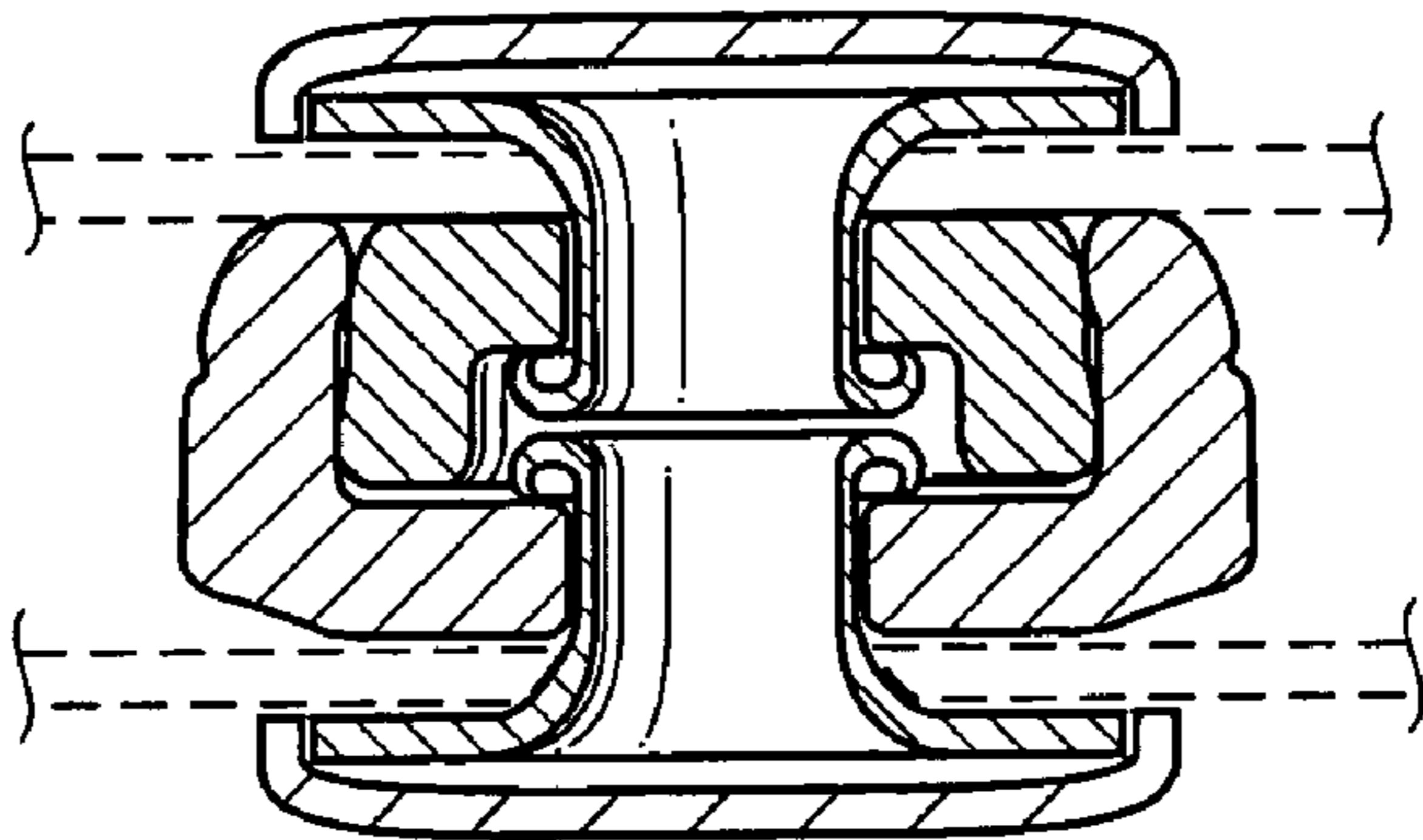


FIG. 4

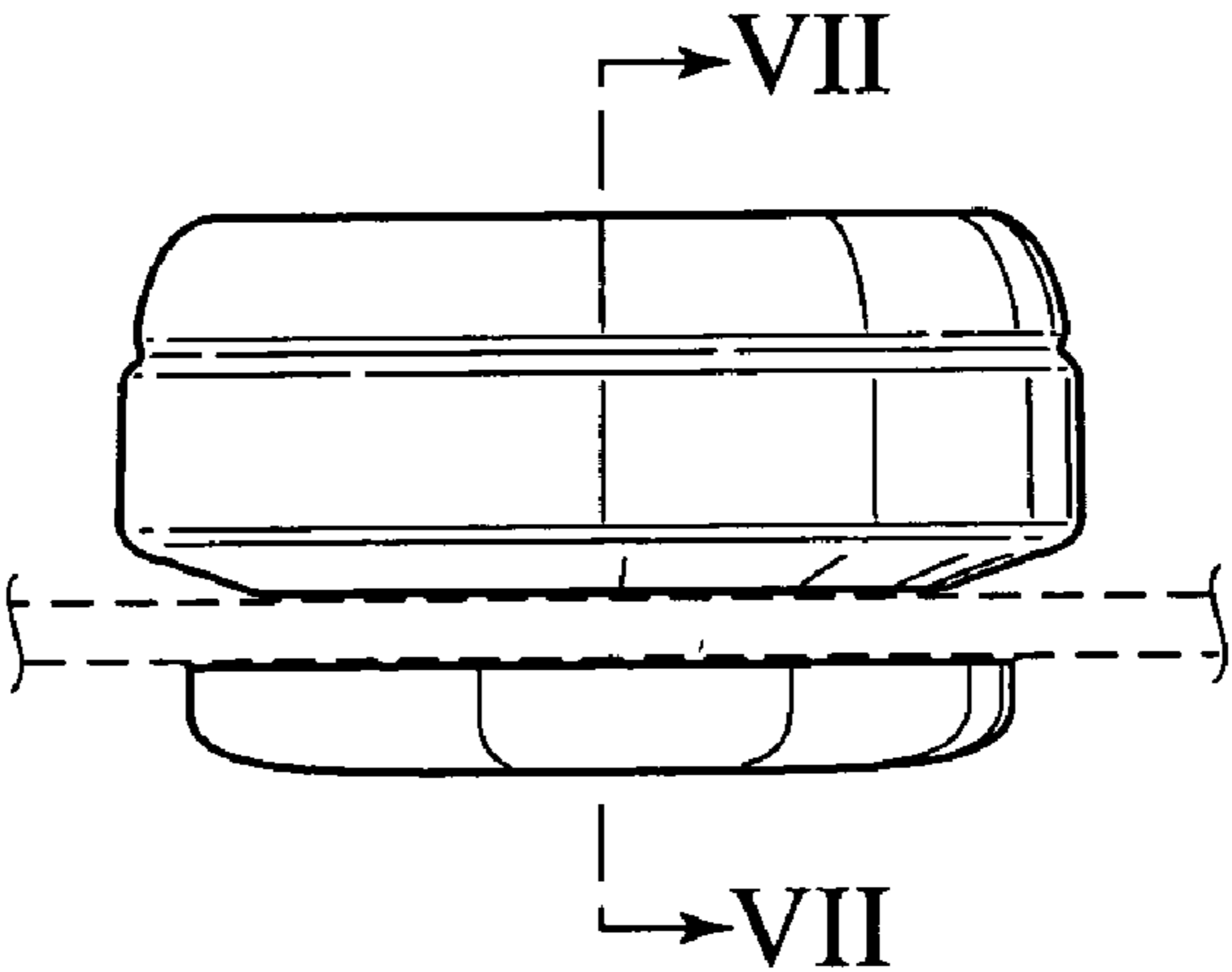


FIG. 5

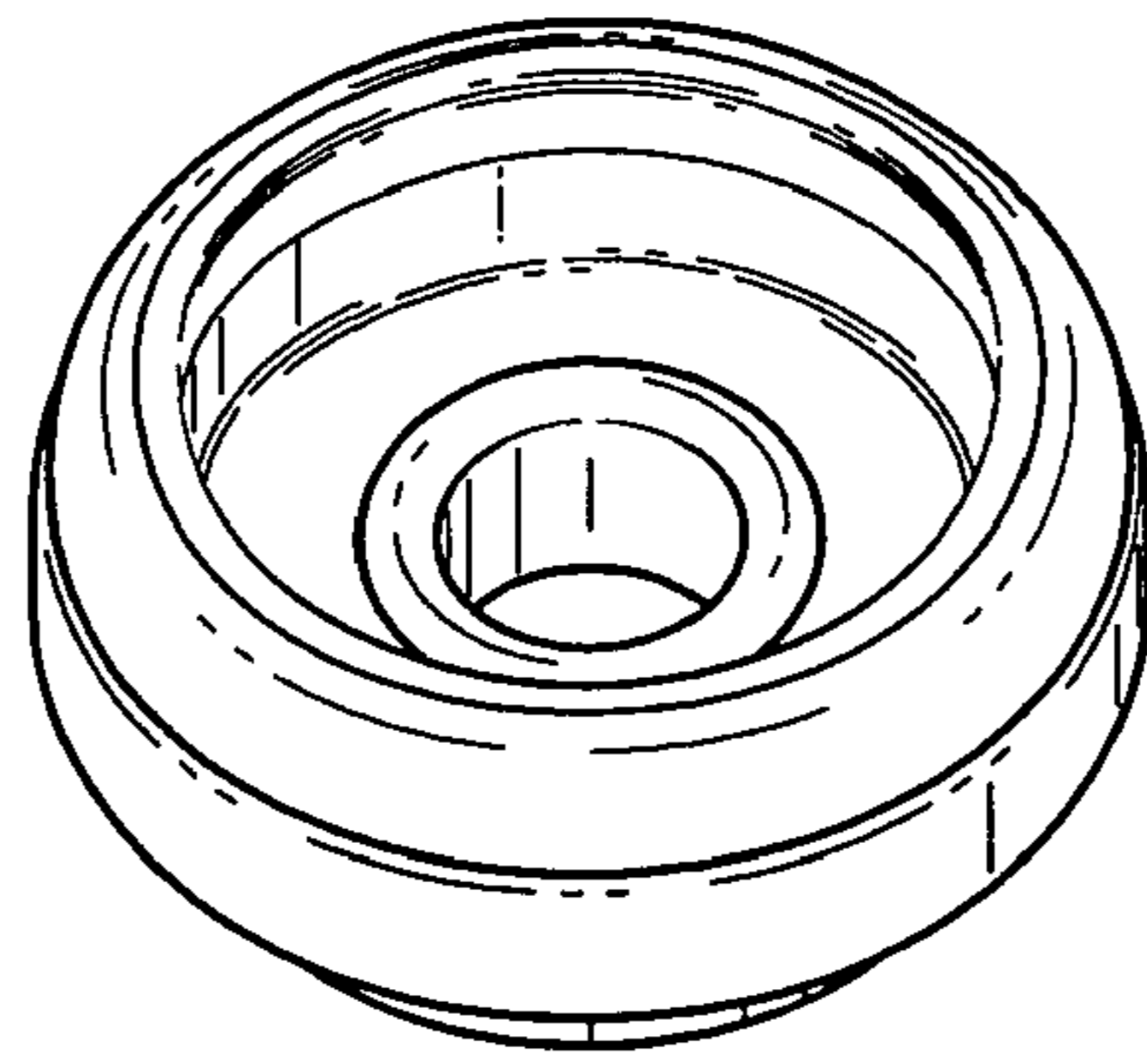


FIG. 6

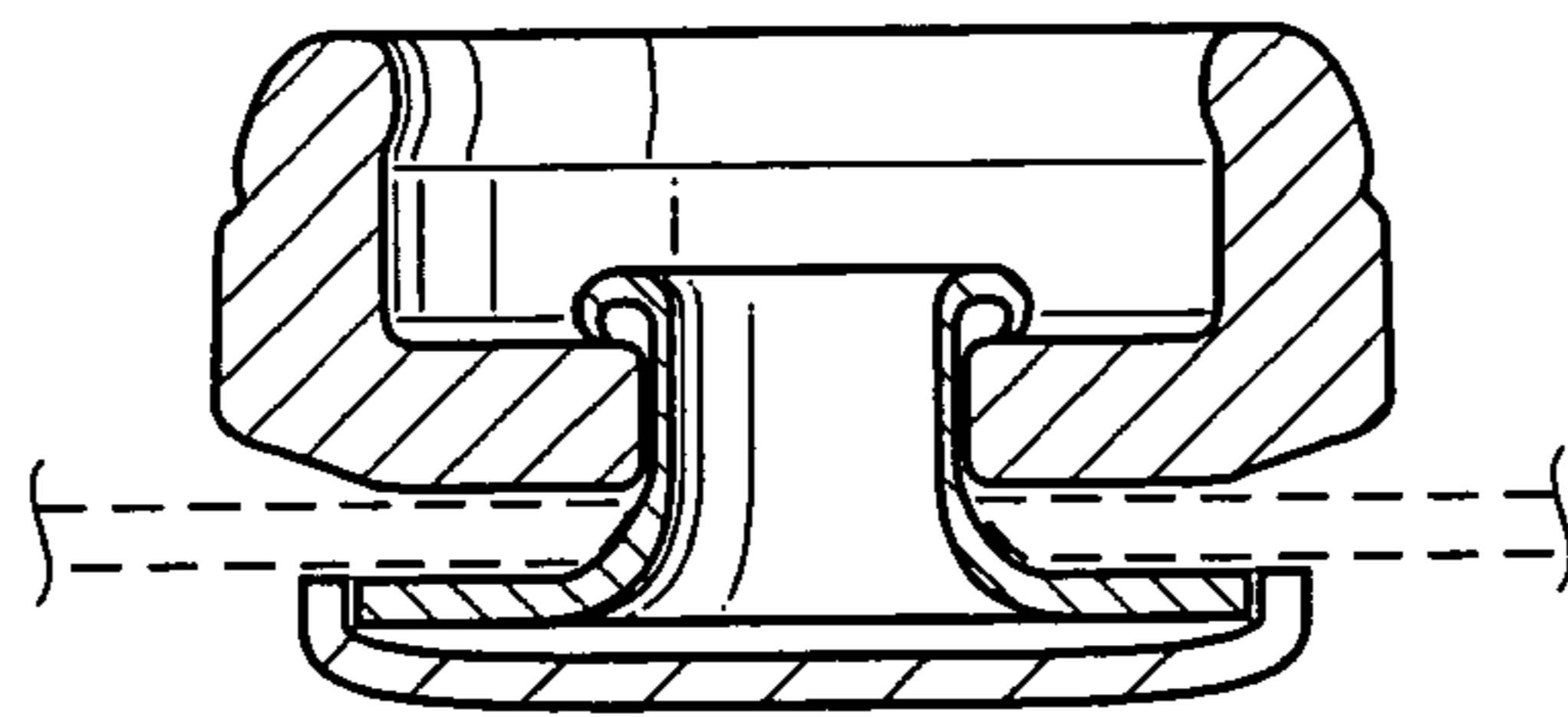


FIG. 7

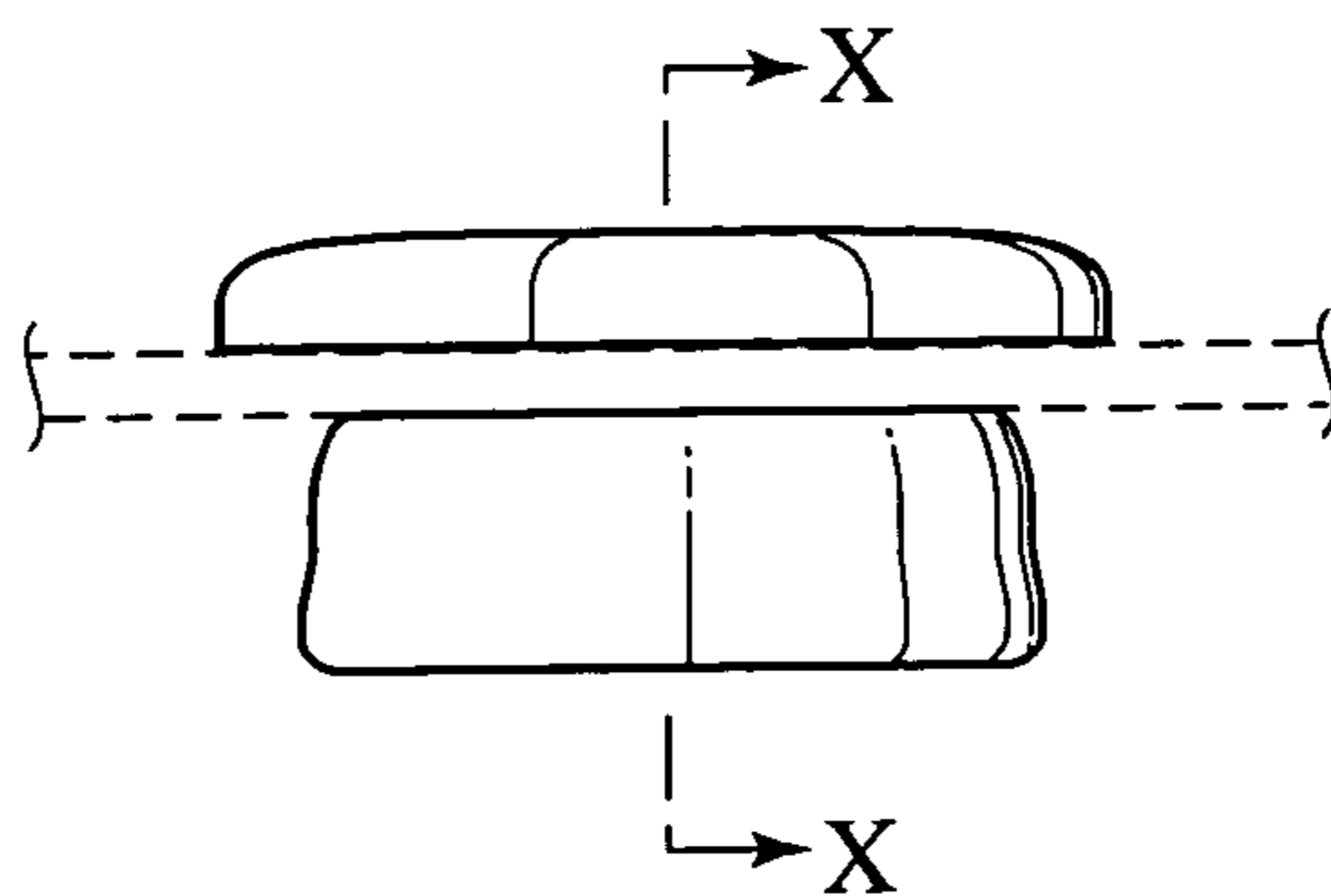


FIG. 8

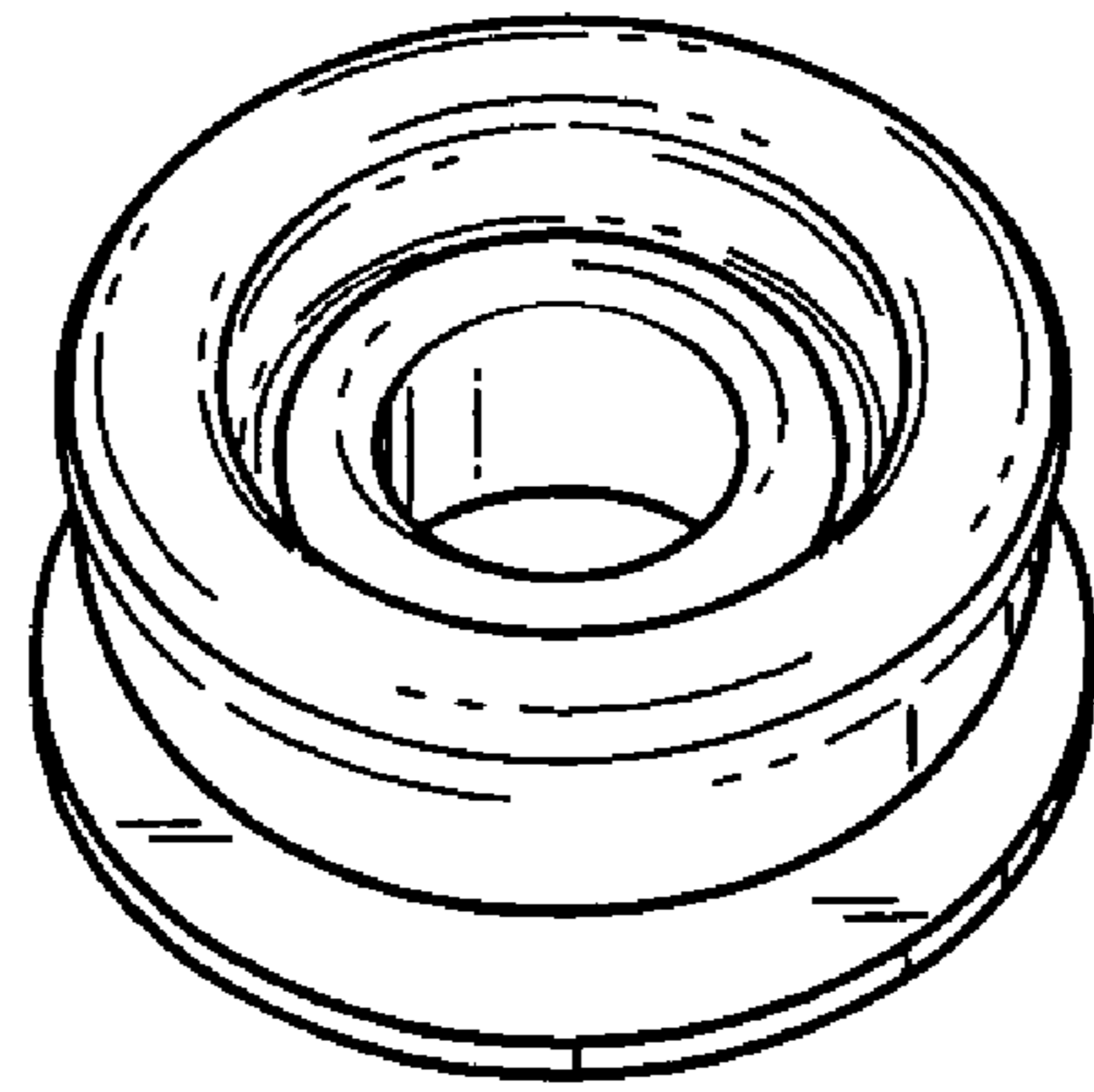


FIG. 9

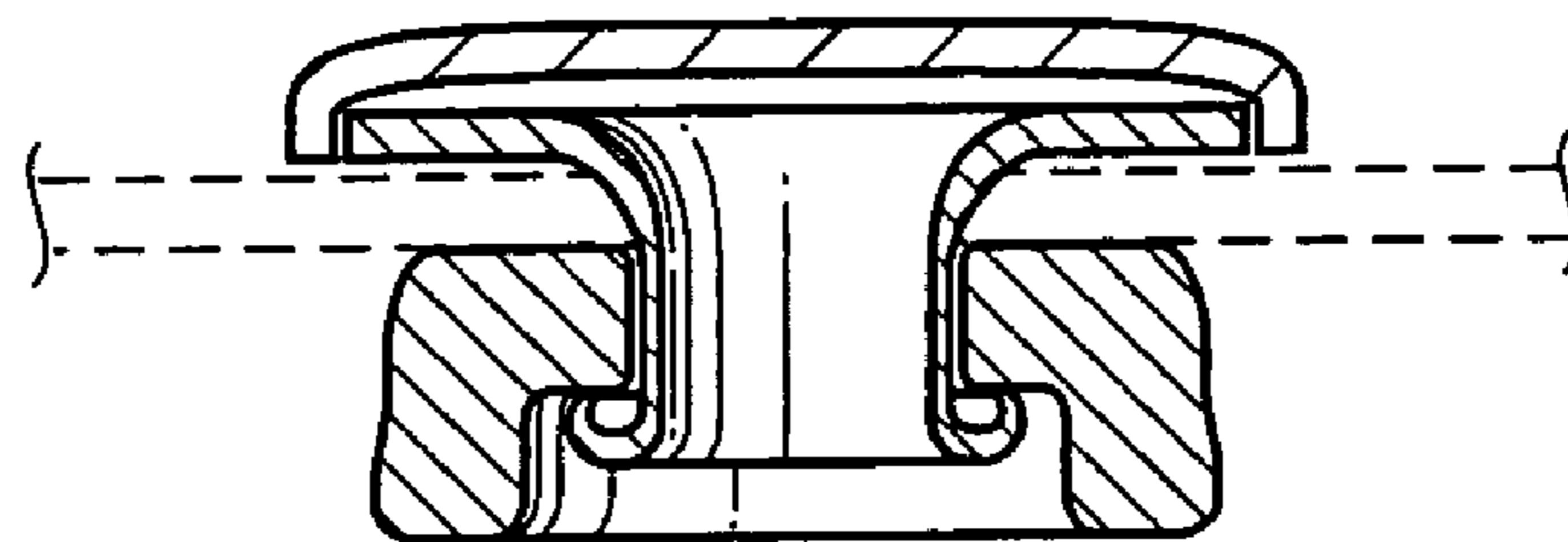


FIG. 10