



US00D678798S

(12) **United States Design Patent**  
**Ten Wolde**

(10) **Patent No.:** **US D678,798 S**  
(45) **Date of Patent:** **\*\* Mar. 26, 2013**

(54) **SAFETY/EMERGENCY LIGHTING APPARATUS**

D524,673 S \* 7/2006 Dicke et al. .... D10/114.1  
D571,245 S \* 6/2008 Dicke et al. .... D10/114.1  
D627,916 S \* 11/2010 Butteris et al. .... D26/85

(75) Inventor: **Michel Robert Ten Wolde**, The Hague (NL)

\* cited by examiner

(73) Assignee: **Nodazzle Holding BV**, The Hague (NL)

*Primary Examiner* — George D Kirschbaum

(\*\*) Term: **14 Years**

(74) *Attorney, Agent, or Firm* — Jordan IP Law, LLC; Todd A. Vaughn

(21) Appl. No.: **29/394,144**

(57) **CLAIM**

(22) Filed: **Jun. 14, 2011**

The ornamental design for a safety/emergency lighting apparatus, as shown.

(30) **Foreign Application Priority Data**

Dec. 14, 2010 (EM) ..... 001793621-0005

**DESCRIPTION**

(51) **LOC (9) Cl.** ..... **10-05**

FIG. 1 illustrates a perspective view of a safety/emergency lighting apparatus in accordance with embodiments.

(52) **U.S. Cl.** ..... **D10/114.2**

FIG. 2 illustrates a rear plan view of the safety/emergency lighting apparatus.

(58) **Field of Classification Search** ..... D10/114.1, D10/114.2, 114.8, 113.1; D26/30, 31, 37, D26/72; 404/9-16; 362/40, 414, 431, 308, 362/327, 183-208; D13/139.3, 152

FIG. 3 illustrates a top plan view thereof.

FIG. 4 illustrates a side plan view thereof.

FIG. 5 illustrates a front plan view thereof.

FIG. 6 illustrates a side plan view thereof; and,

FIG. 7 illustrates a bottom plan view thereof.

See application file for complete search history.

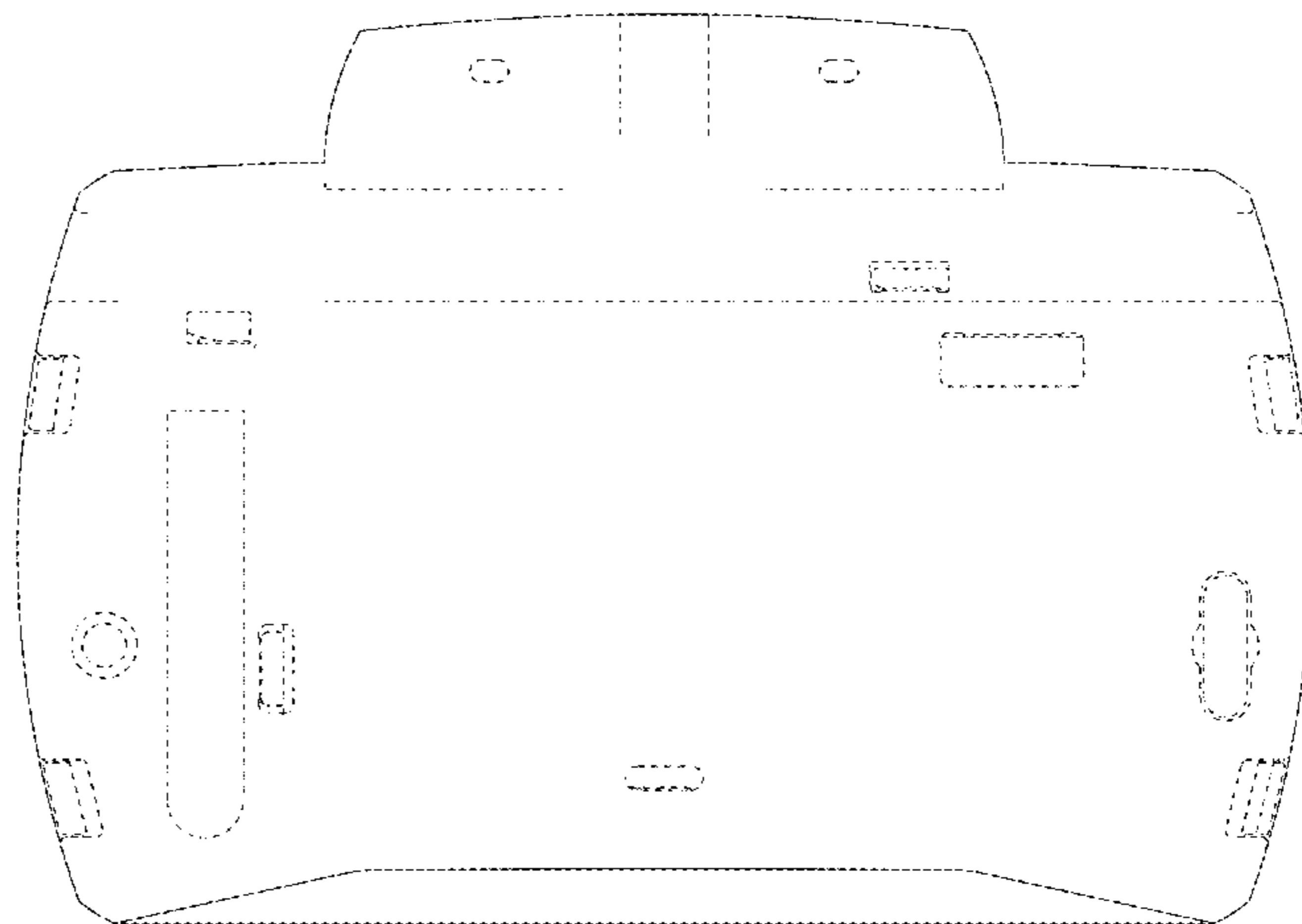
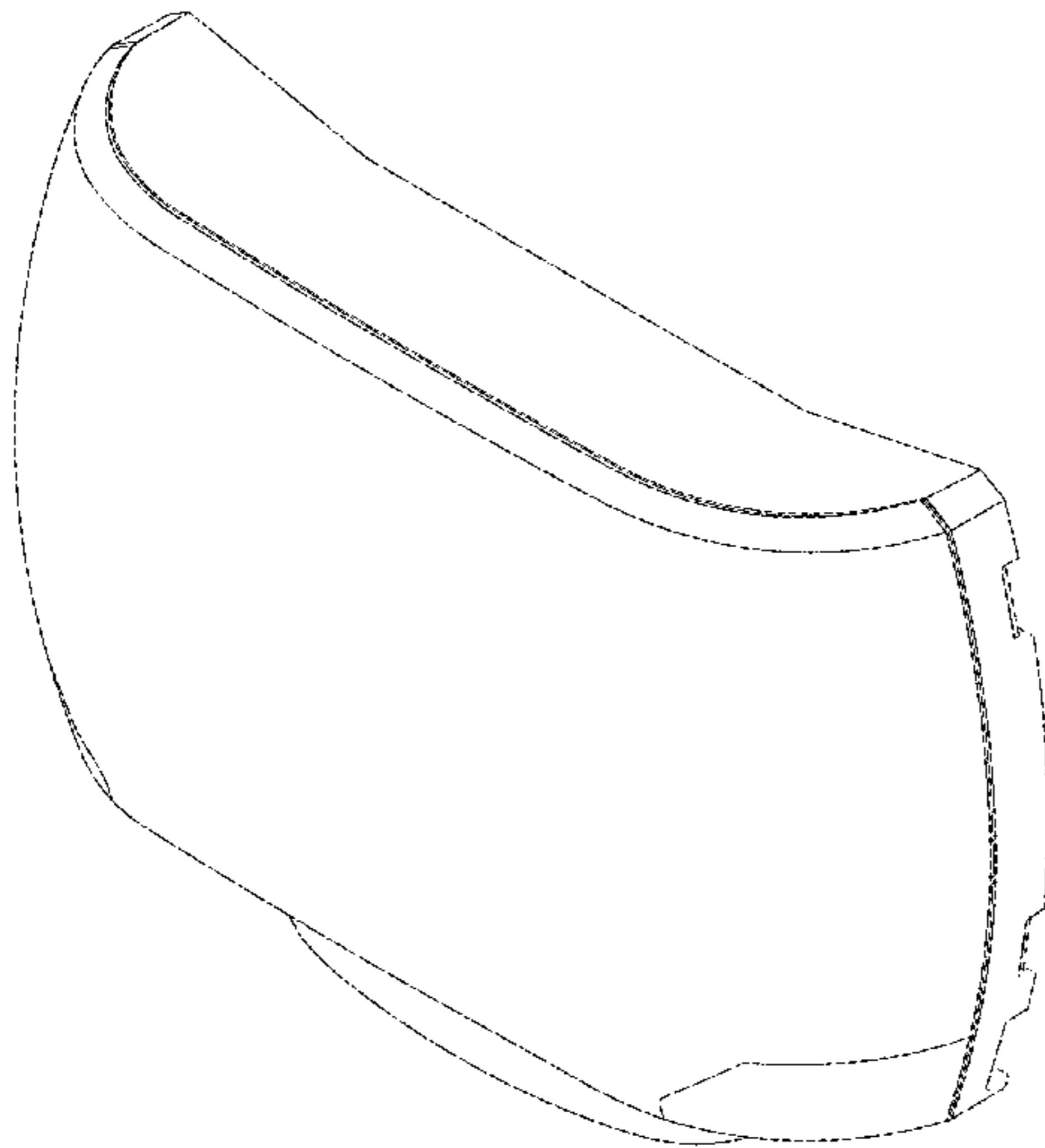
The broken line showing of openings and recessed areas is included for the purpose of illustrating portions of the "article" and forms no part of the claimed design.

(56) **References Cited**

**U.S. PATENT DOCUMENTS**

D185,725 S \* 7/1959 Wieland ..... D13/156  
D484,633 S \* 12/2003 Campagna ..... D26/72  
D516,930 S \* 3/2006 Dicke et al. .... D10/114.1

**1 Claim, 7 Drawing Sheets**



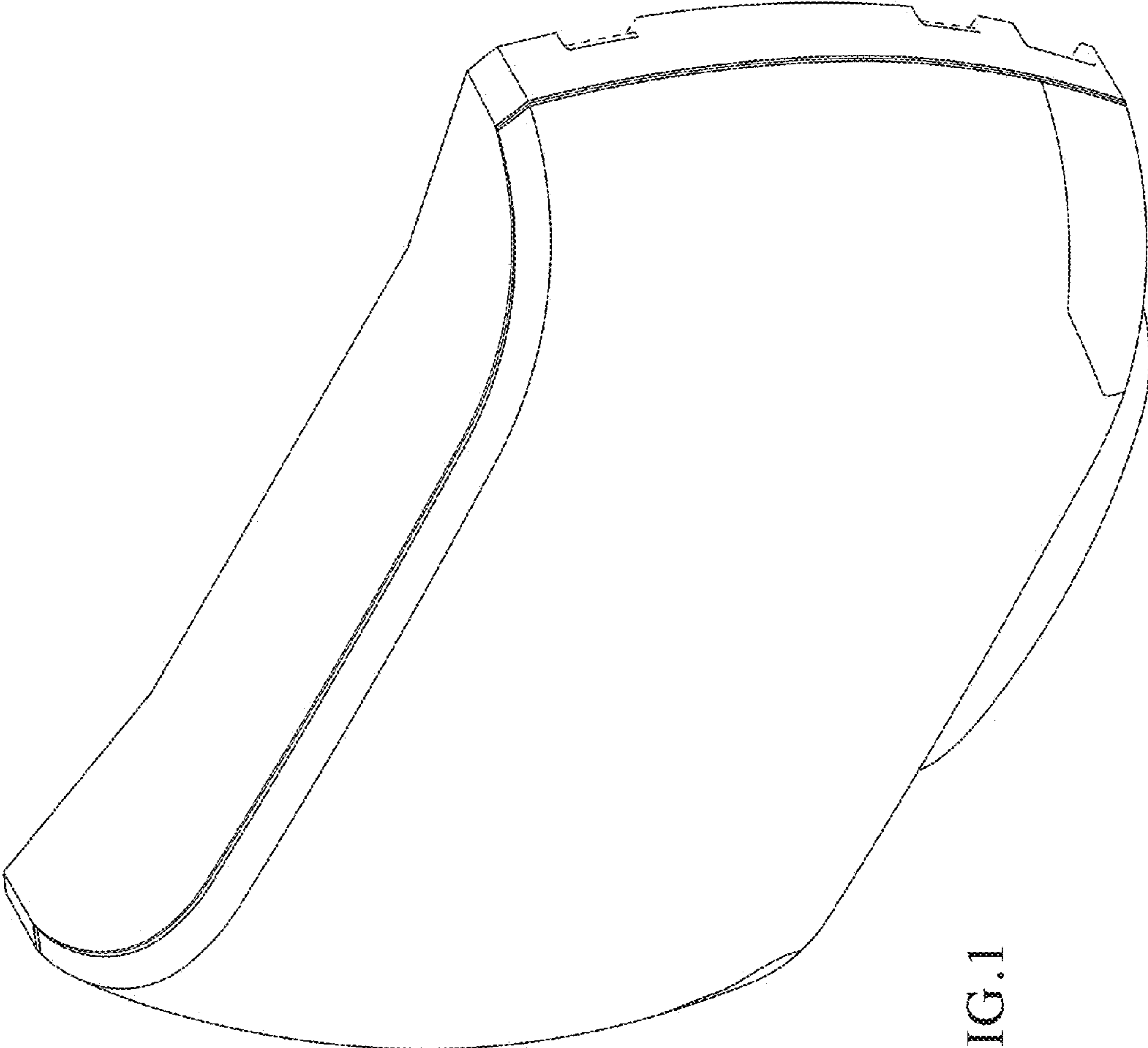


FIG. 1

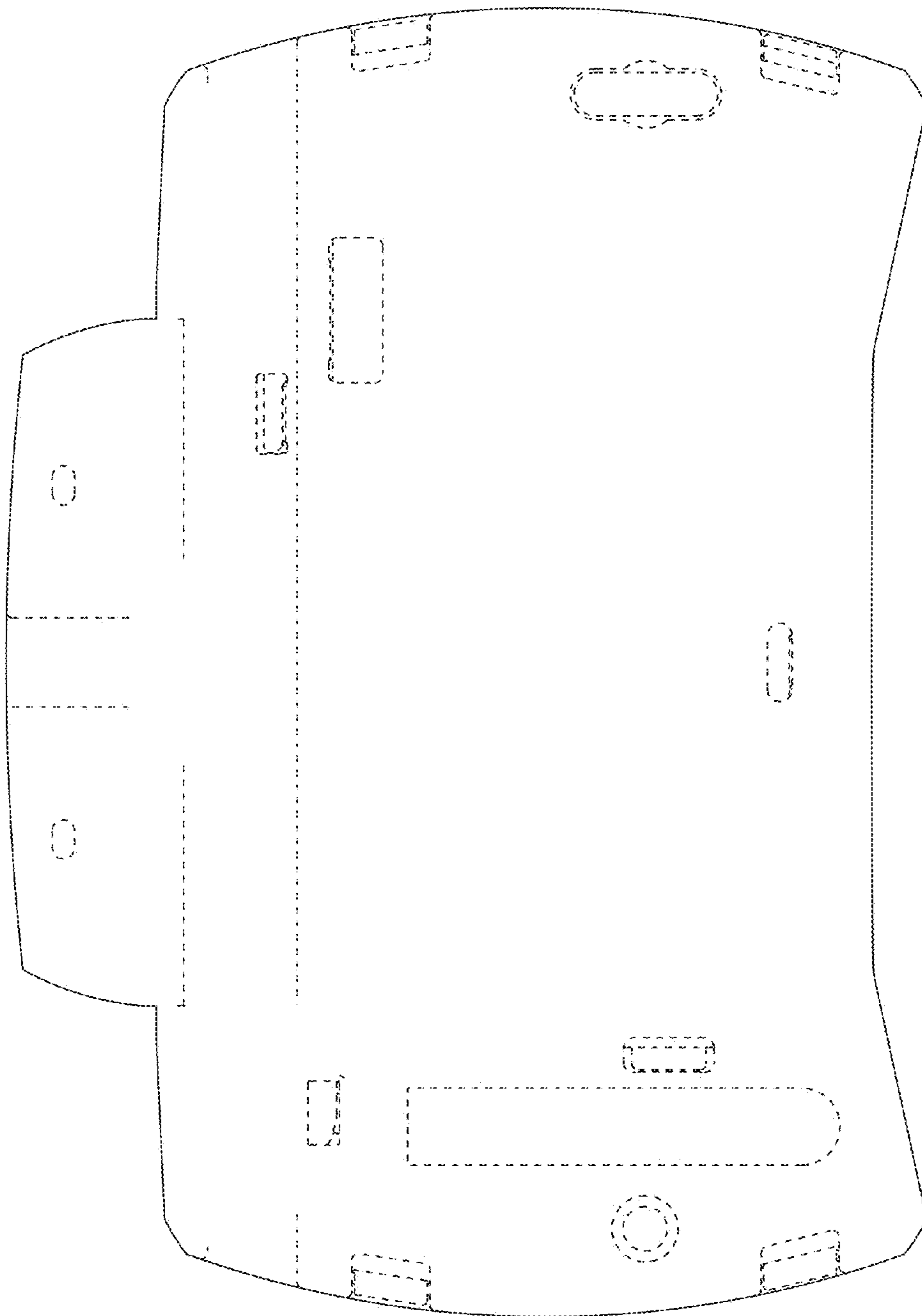


FIG. 2

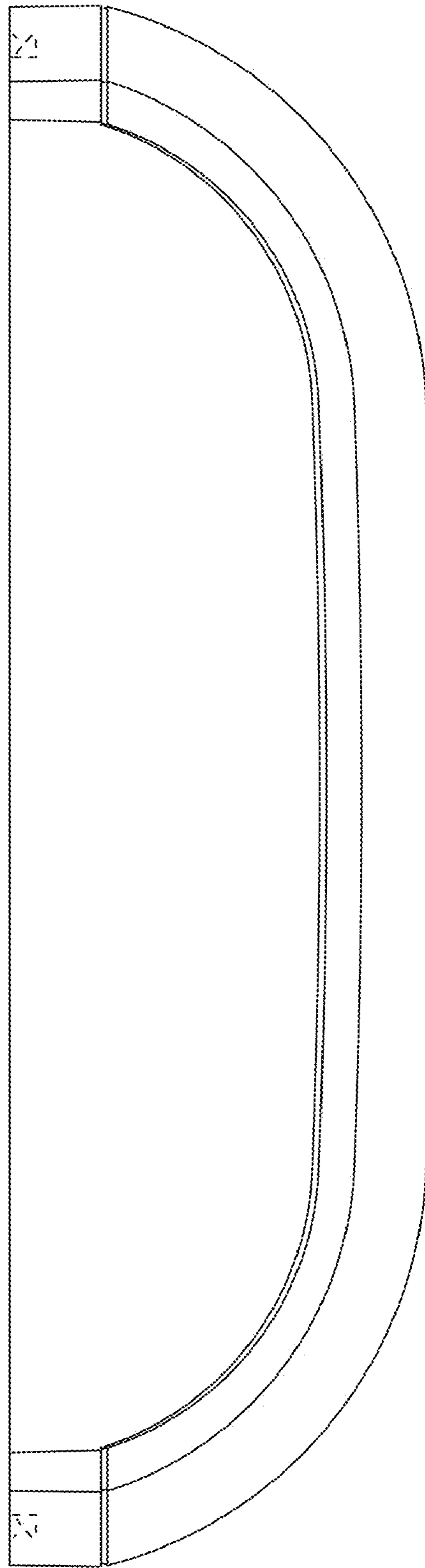


FIG. 3

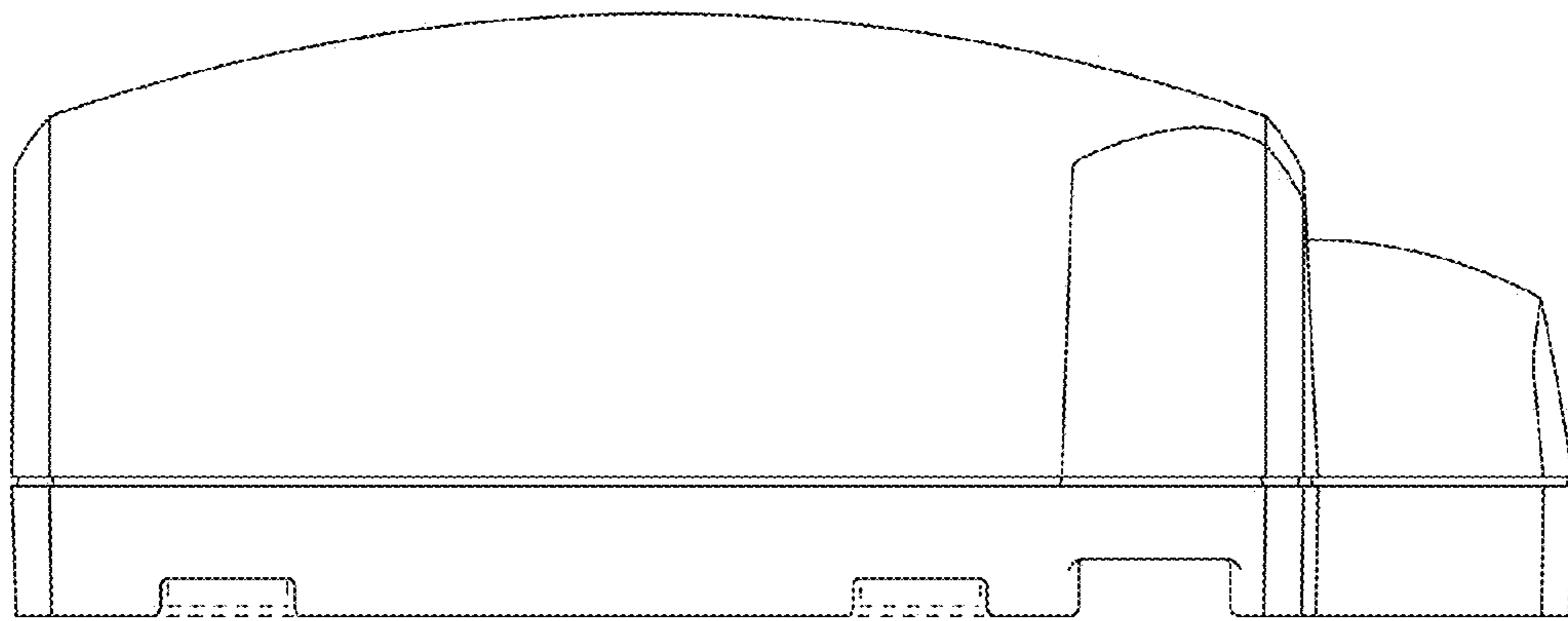


FIG.4

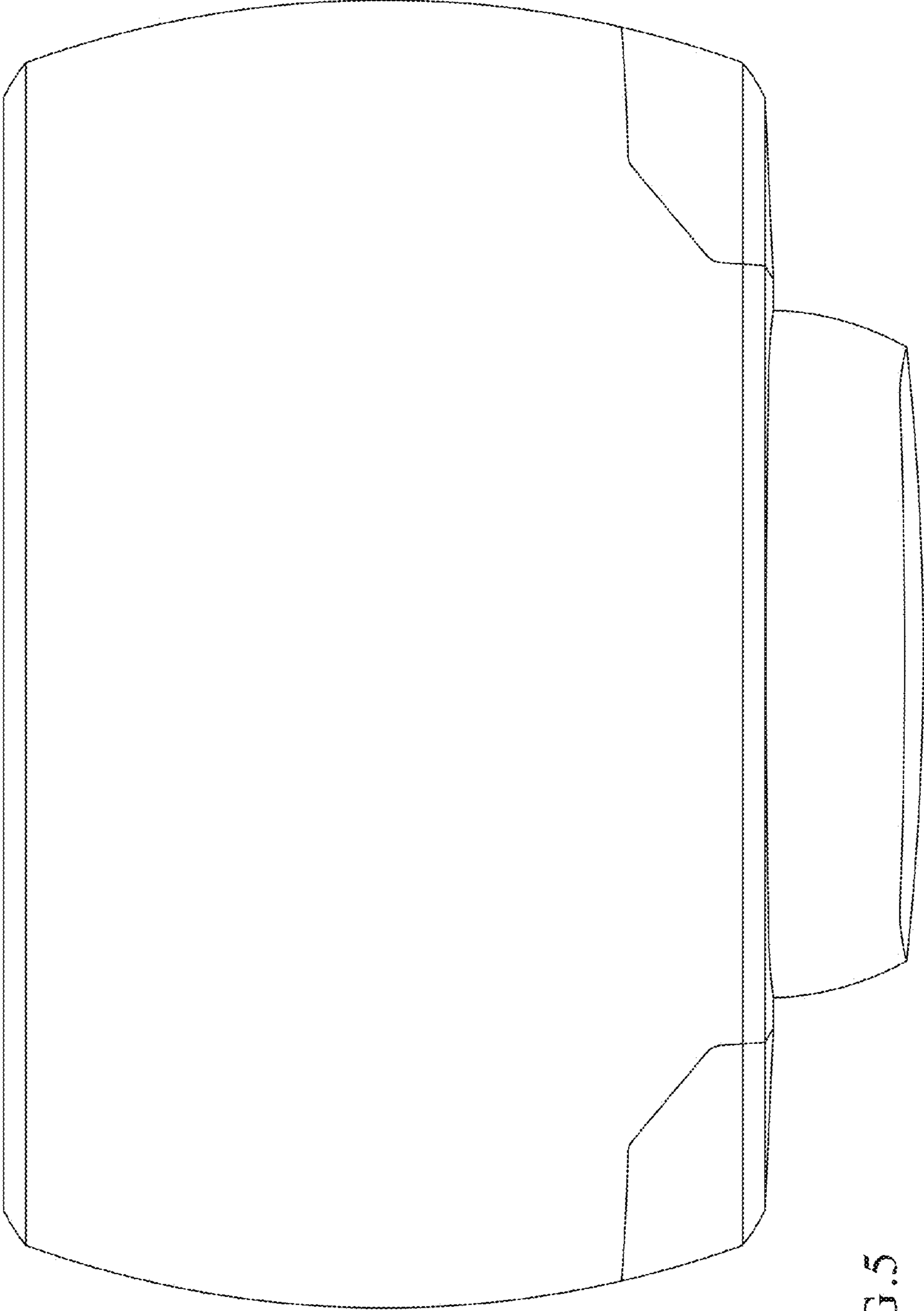


FIG. 5

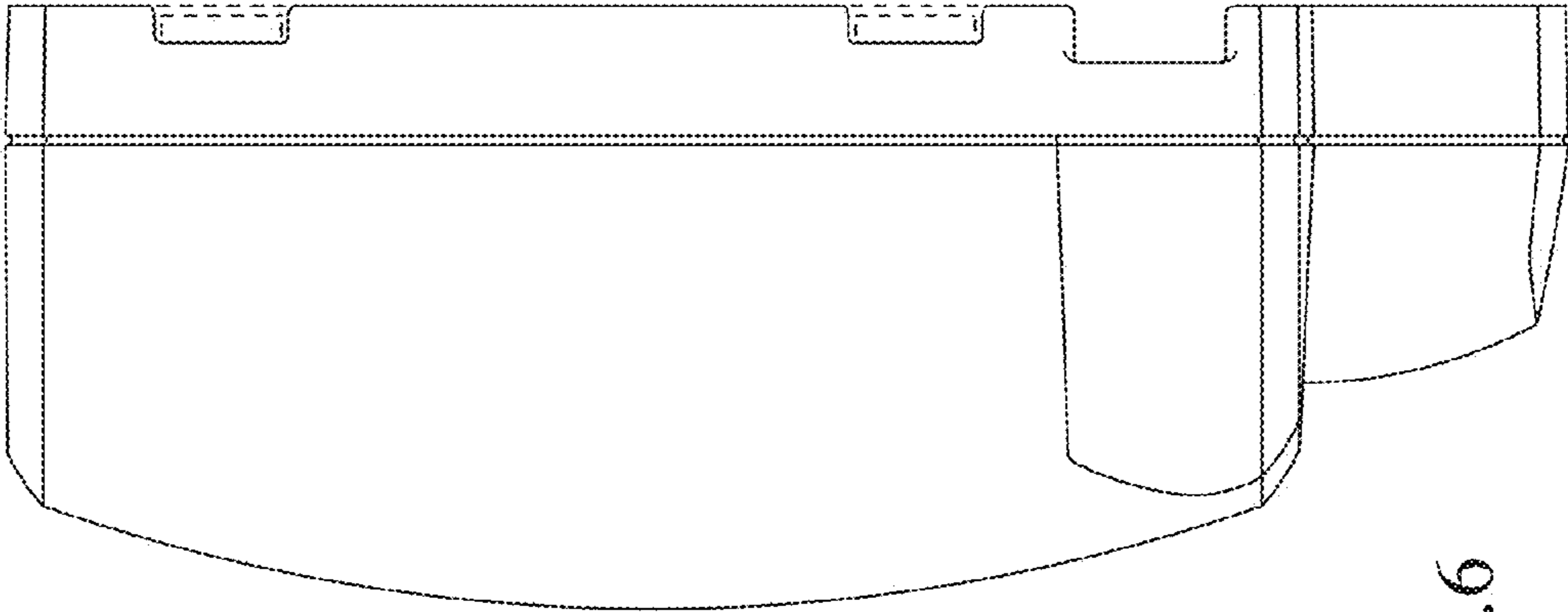


FIG.6

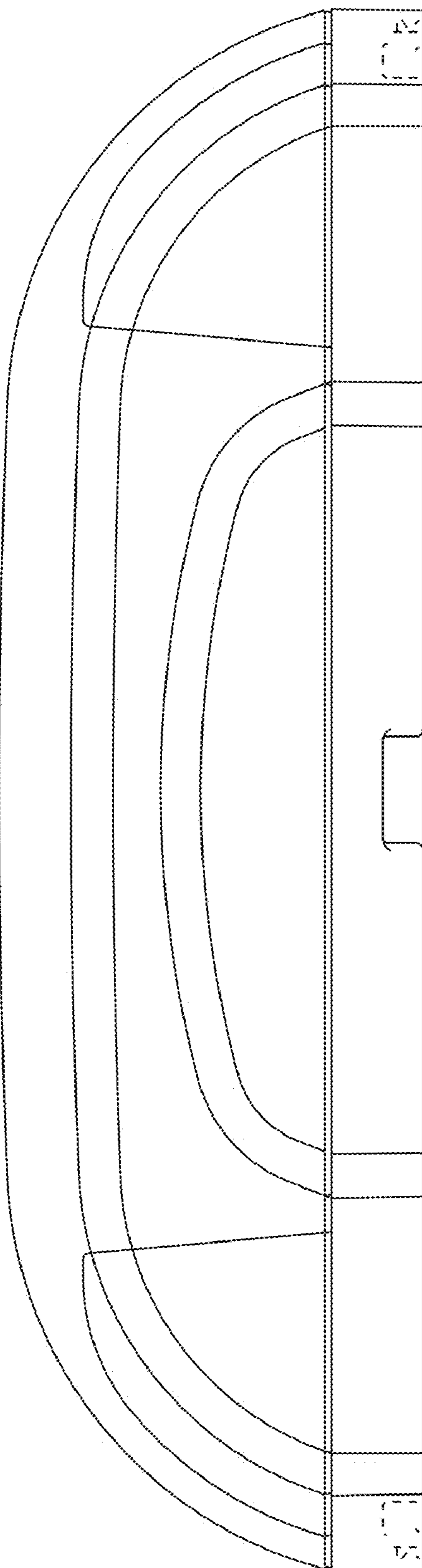


FIG. 7