



US00D678797S

(12) **United States Design Patent**
Ten Wolde

(10) **Patent No.:** **US D678,797 S**
(45) **Date of Patent:** **** Mar. 26, 2013**

(54) **SAFETY/EMERGENCY LIGHTING**

(75) Inventor: **Michel Robert Ten Wolde**, Den Haag (NL)

(73) Assignee: **Nodazzle Holding BV**, Den Haag (NL)

(**) Term: **14 Years**

(21) Appl. No.: **29/394,143**

(22) Filed: **Jun. 14, 2011**

(30) **Foreign Application Priority Data**

Dec. 14, 2010 (EM) 001793621-0001/0009

(51) **LOC (9) Cl.** **10-05**

(52) **U.S. Cl.** **D10/114.2**

(58) **Field of Classification Search** D10/114.1,
D10/114.2, 114.8, 113.1; D26/30, 31, 37,
D26/72; 404/9-16; 362/40, 414, 431, 308,
362/327, 183-208; D13/139.3, 152

See application file for complete search history.

(56) **References Cited**

U.S. PATENT DOCUMENTS

D468,697 S * 1/2003 Straub, Jr. D13/152
D565,447 S * 4/2008 Horng D10/113.1
D569,755 S * 5/2008 Humble et al. D10/113.1

D618,123 S * 6/2010 Luscombe et al. D10/114.1
7,791,496 B2 * 9/2010 Anderson et al. 340/691.1
D632,654 S * 2/2011 Davidson et al. D13/152

* cited by examiner

Primary Examiner — George D Kirschbaum

(74) *Attorney, Agent, or Firm* — Jordan IP Law, LLC; Todd A. Vaughn

(57) **CLAIM**

The ornamental design for a safety/emergency lighting apparatus, as shown.

DESCRIPTION

FIG. 1 illustrates a perspective view of a safety/emergency lighting apparatus.

FIG. 2 illustrates a bottom perspective view thereof.

FIG. 3 illustrates a top plan view thereof.

FIG. 4 illustrates a side plan view thereof.

FIG. 5 illustrates a side elevation thereof.

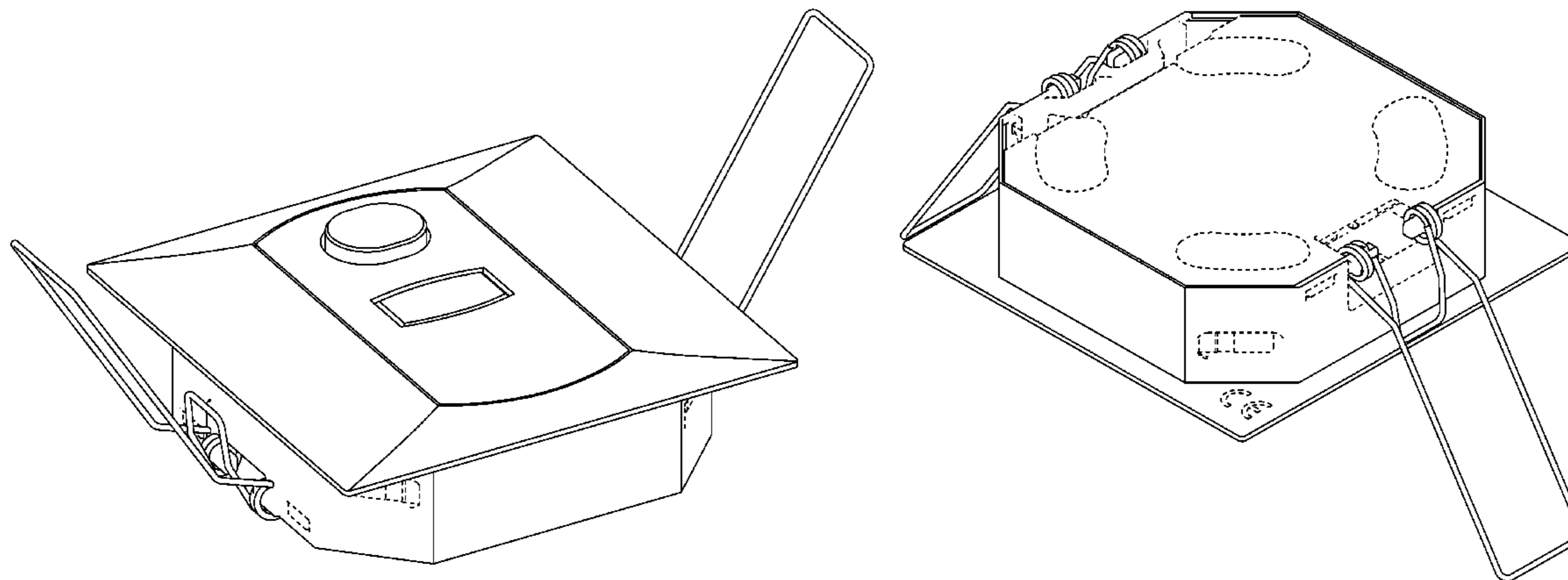
FIG. 6 illustrates a top plan view thereof.

FIG. 7 illustrates an opposite side plan view thereof; and,

FIG. 8 illustrates a front plan view thereof.

The broken line showing of openings, recessed areas, and internal structures is included for the purpose of illustrating portions of the “article” and forms no part of the claimed design.

1 Claim, 8 Drawing Sheets



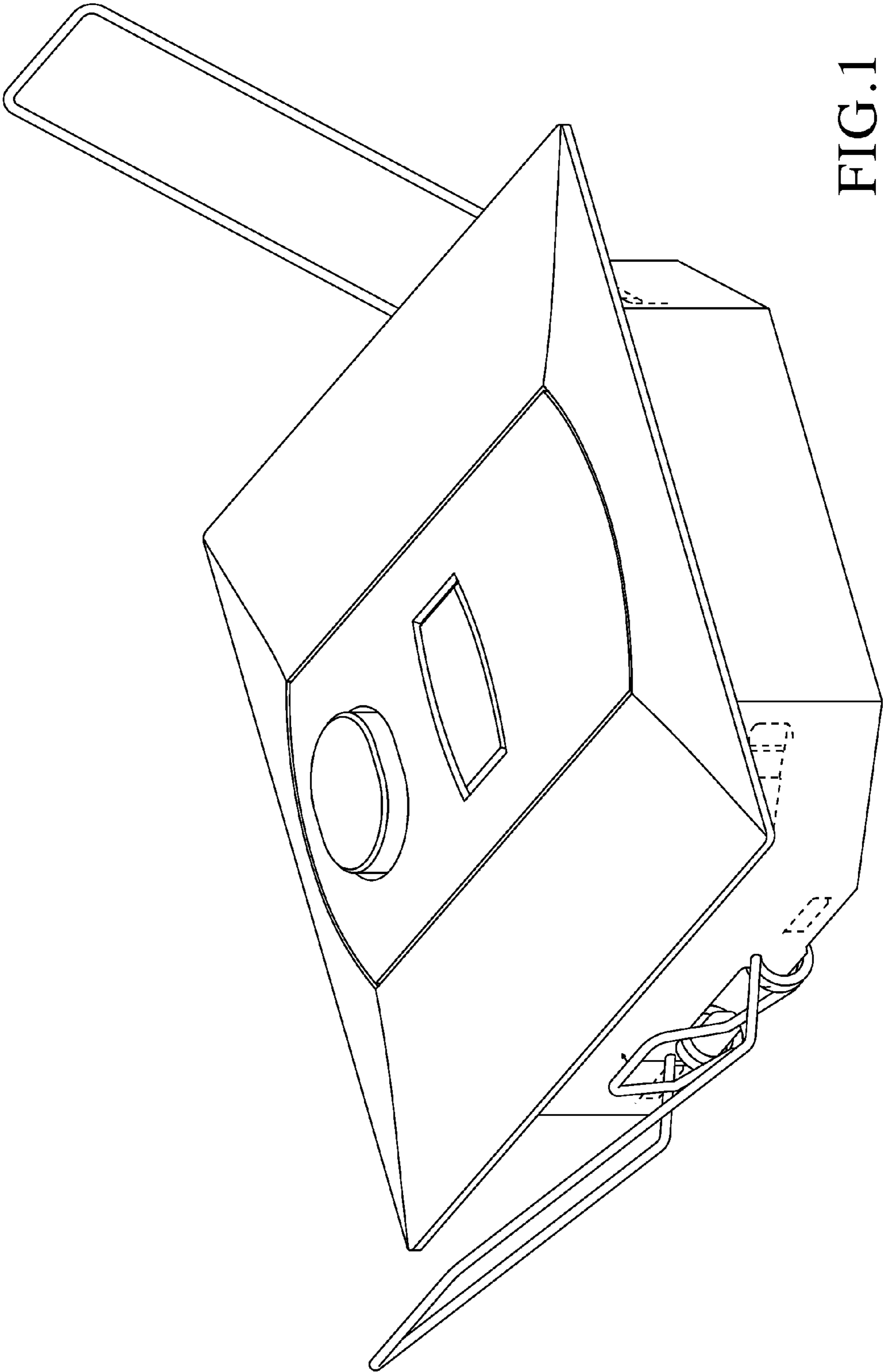


FIG. 1

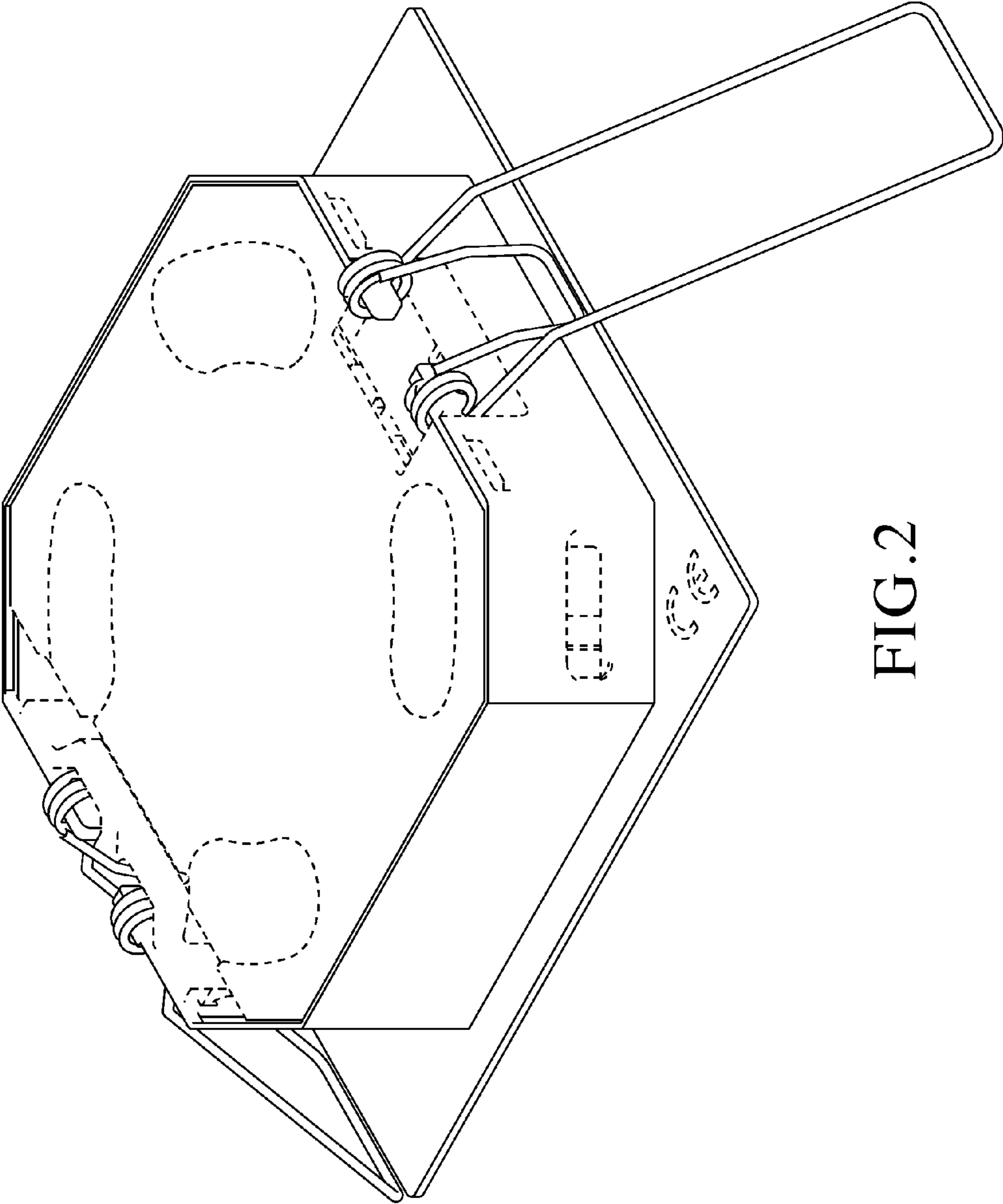


FIG.2

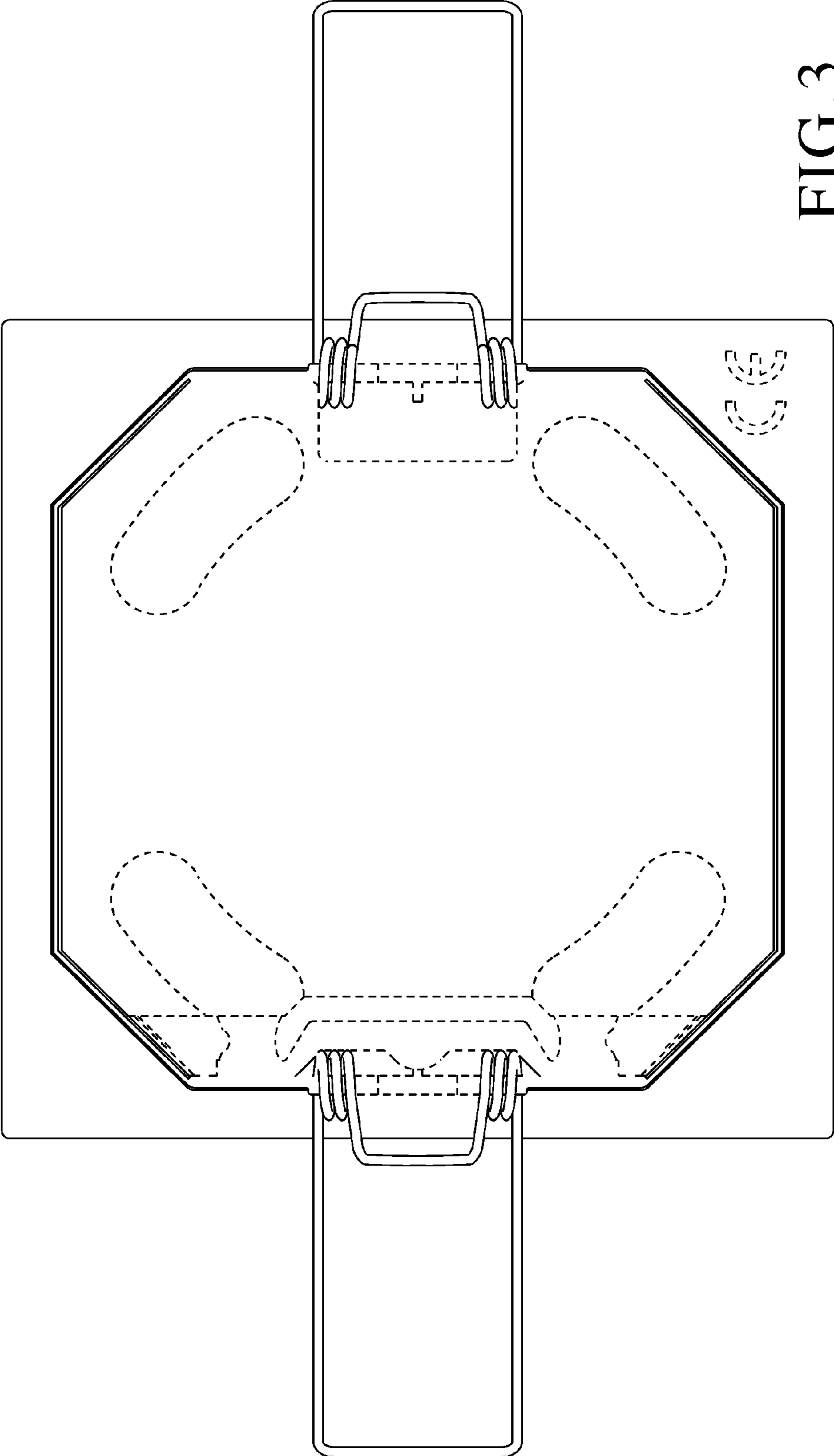


FIG. 3

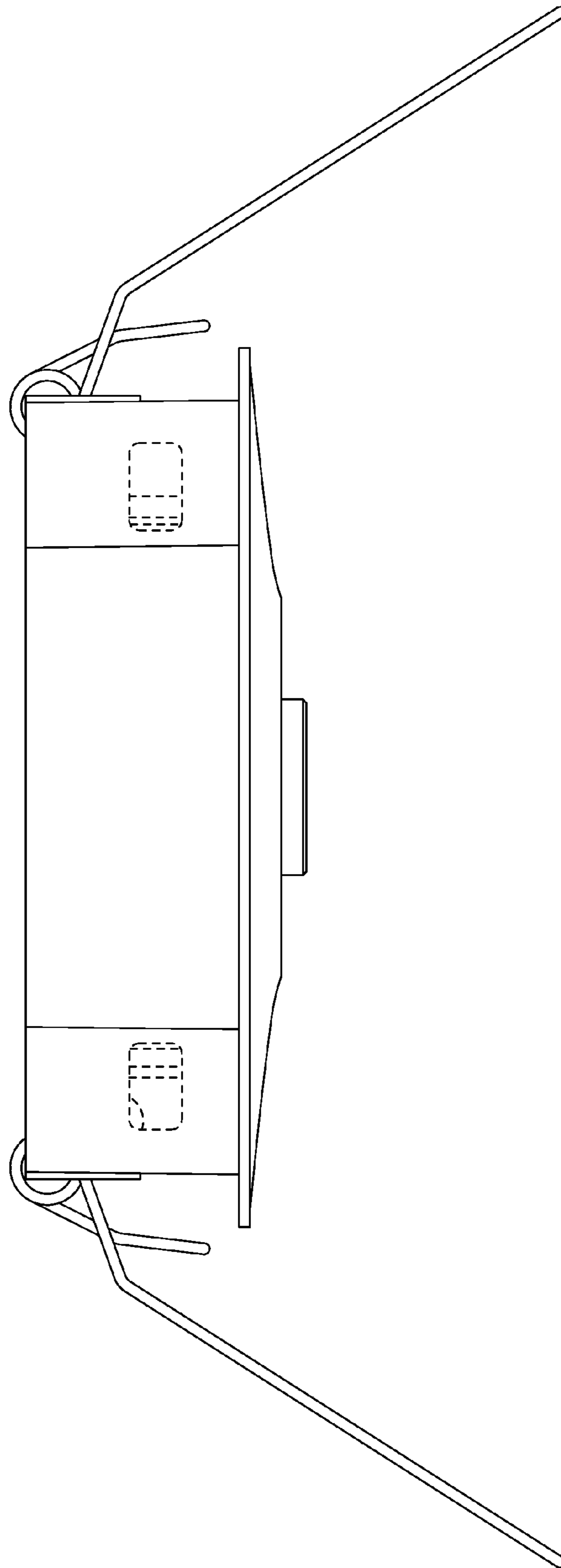


FIG.4

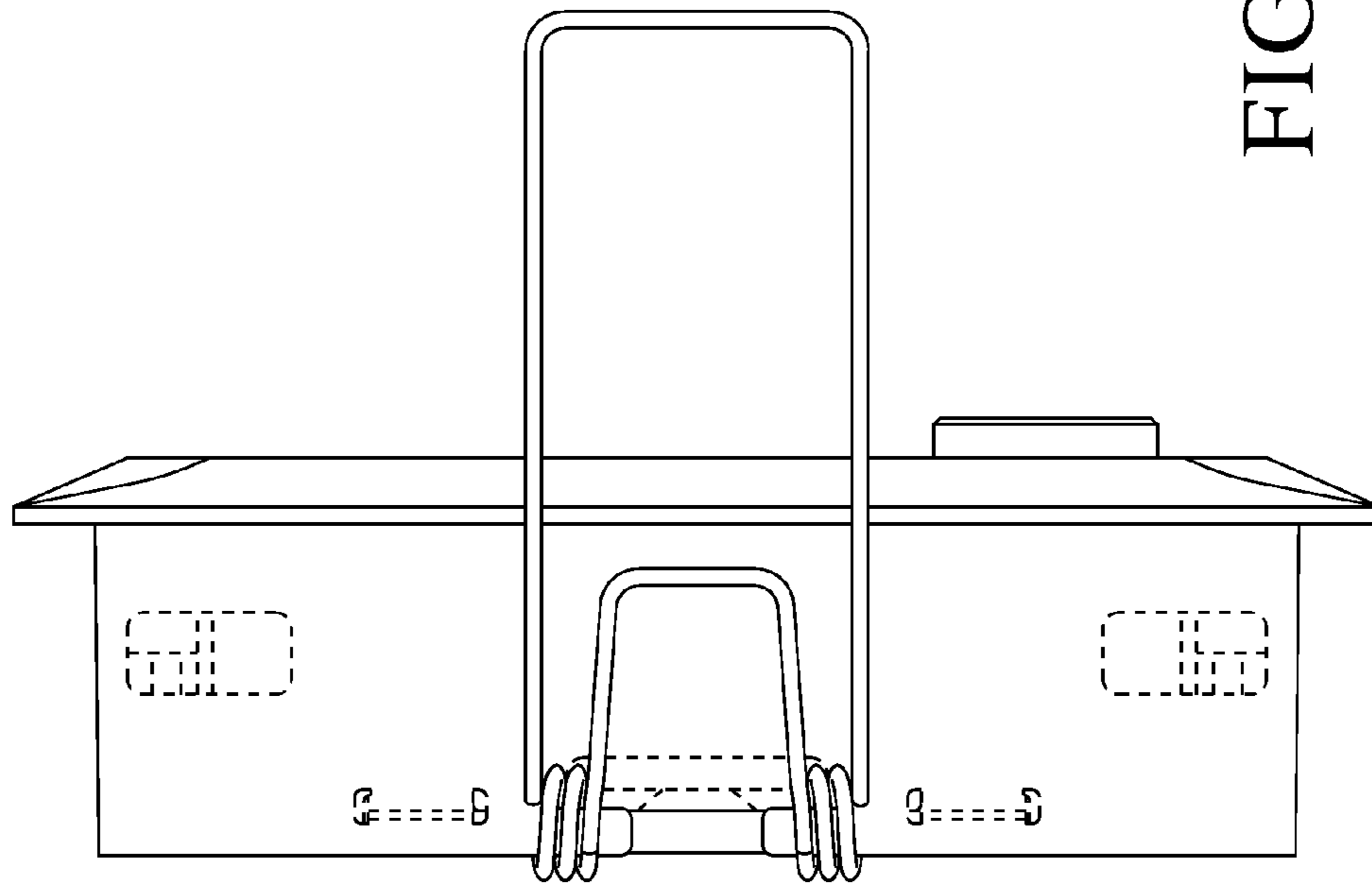


FIG. 5

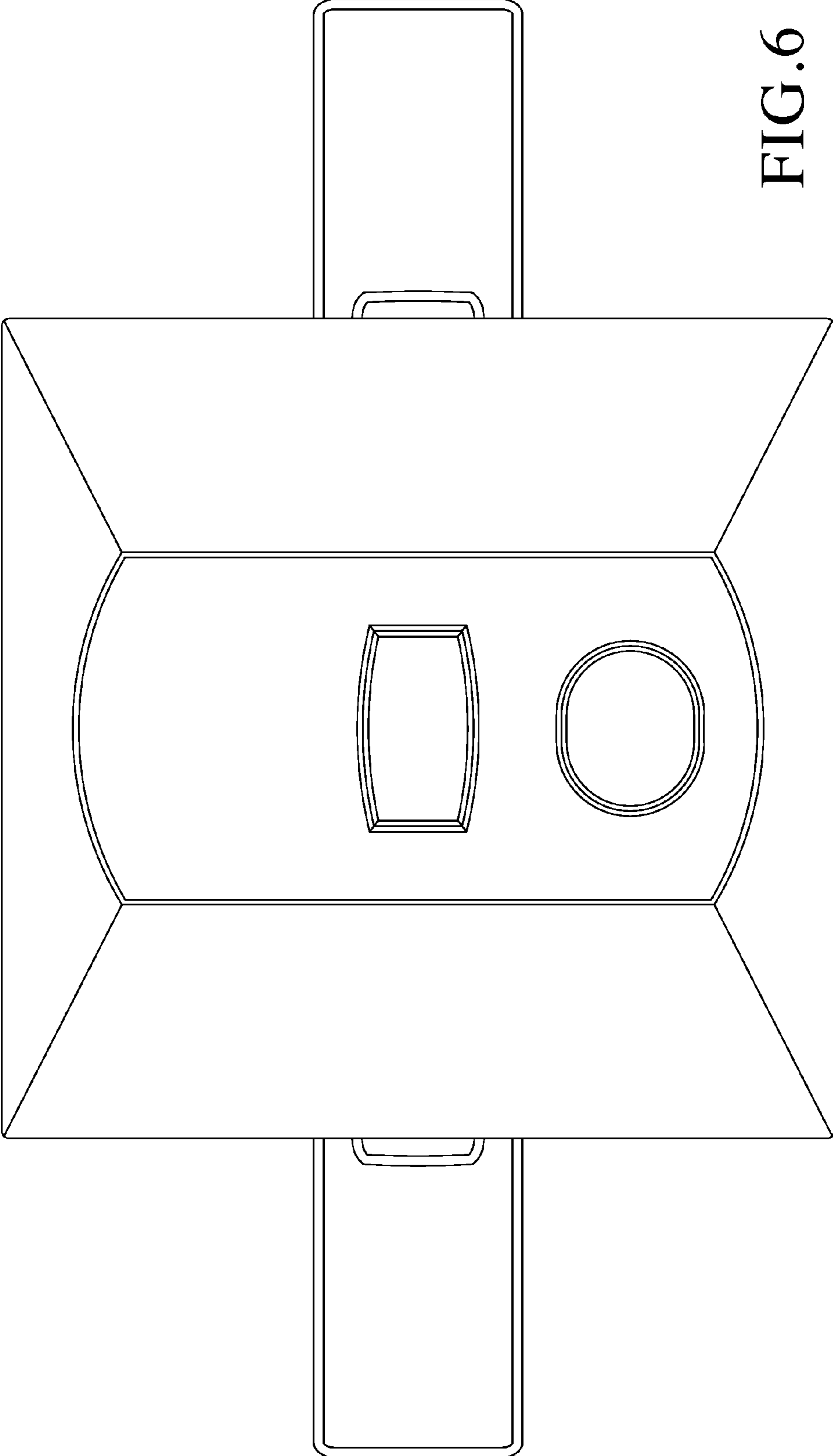


FIG. 6

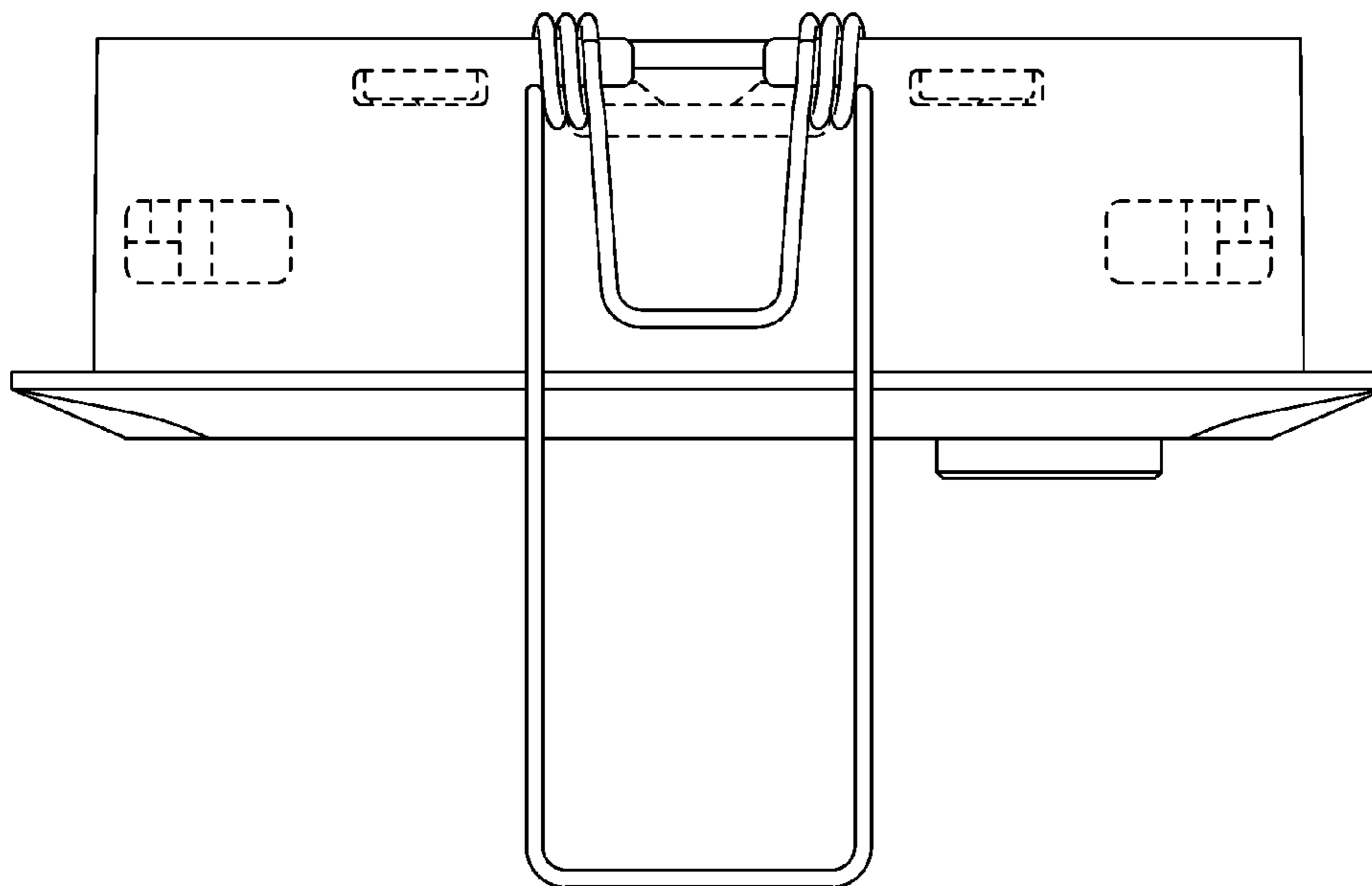


FIG. 7

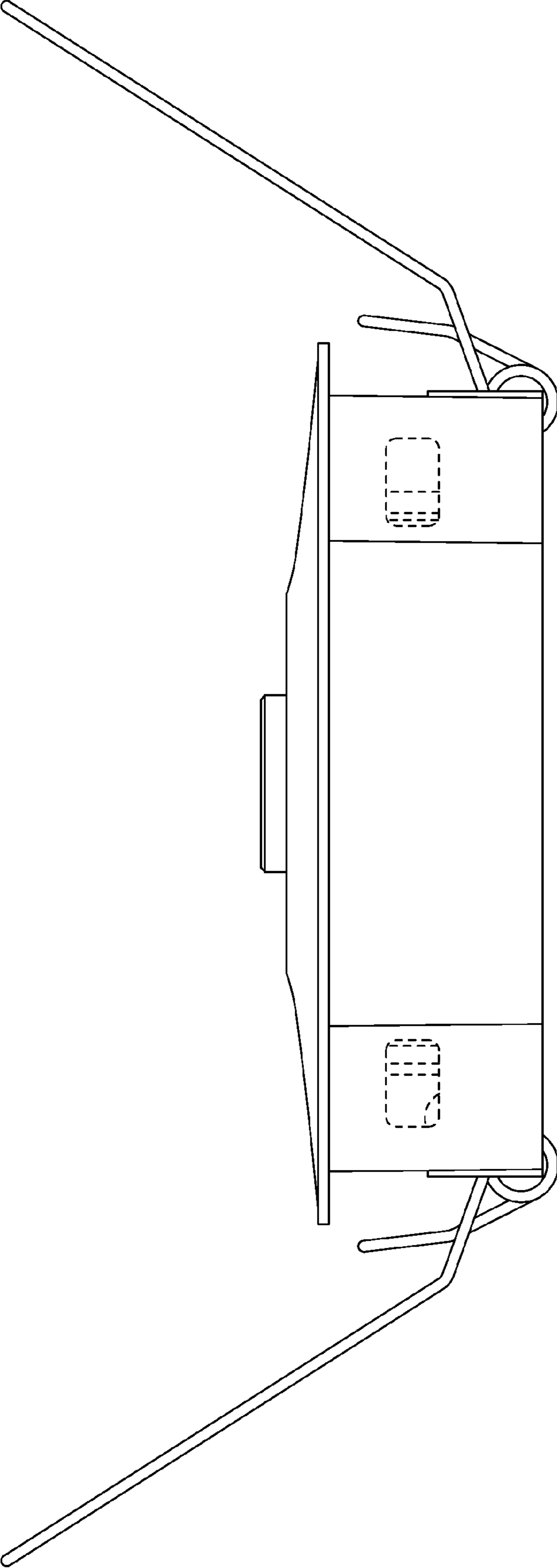


FIG. 8