



US00D678796S

(12) **United States Design Patent**  
**Brown**

(10) **Patent No.:** **US D678,796 S**

(45) **Date of Patent:** **\*\* Mar. 26, 2013**

(54) **ROAD SIGN TIRE MOUNT**

D418,462 S \* 1/2000 White ..... D12/599  
D642,115 S \* 7/2011 Pringiers ..... D12/579

(76) Inventor: **Herman Brown**, Roswell, GA (US)

\* cited by examiner

(\*\*) Term: **14 Years**

*Primary Examiner* — George D Kirschbaum

(21) Appl. No.: **29/385,619**

(74) *Attorney, Agent, or Firm* — Gerald R. Boss

(22) Filed: **Feb. 16, 2011**

(57) **CLAIM**

The ornamental design for a road sign tire mount, as shown and described.

(51) **LOC (9) Cl.** ..... **10-05**

(52) **U.S. Cl.** ..... **D10/109.1**

(58) **Field of Classification Search** ..... D10/109.1;  
D12/574, 577, 599; 152/209.1, 209.4, 209.5,  
152/209.6, 209.8, 209.9, 209.18  
See application file for complete search history.

**DESCRIPTION**

FIG. 1 is a perspective view of the new design for a road sign mount being a tire;

FIG. 2 is a front elevational view thereof; the rear and side elevational views being a mirror image; and,  
FIG. 3 is a top view thereof; the bottom view being a mirror image.

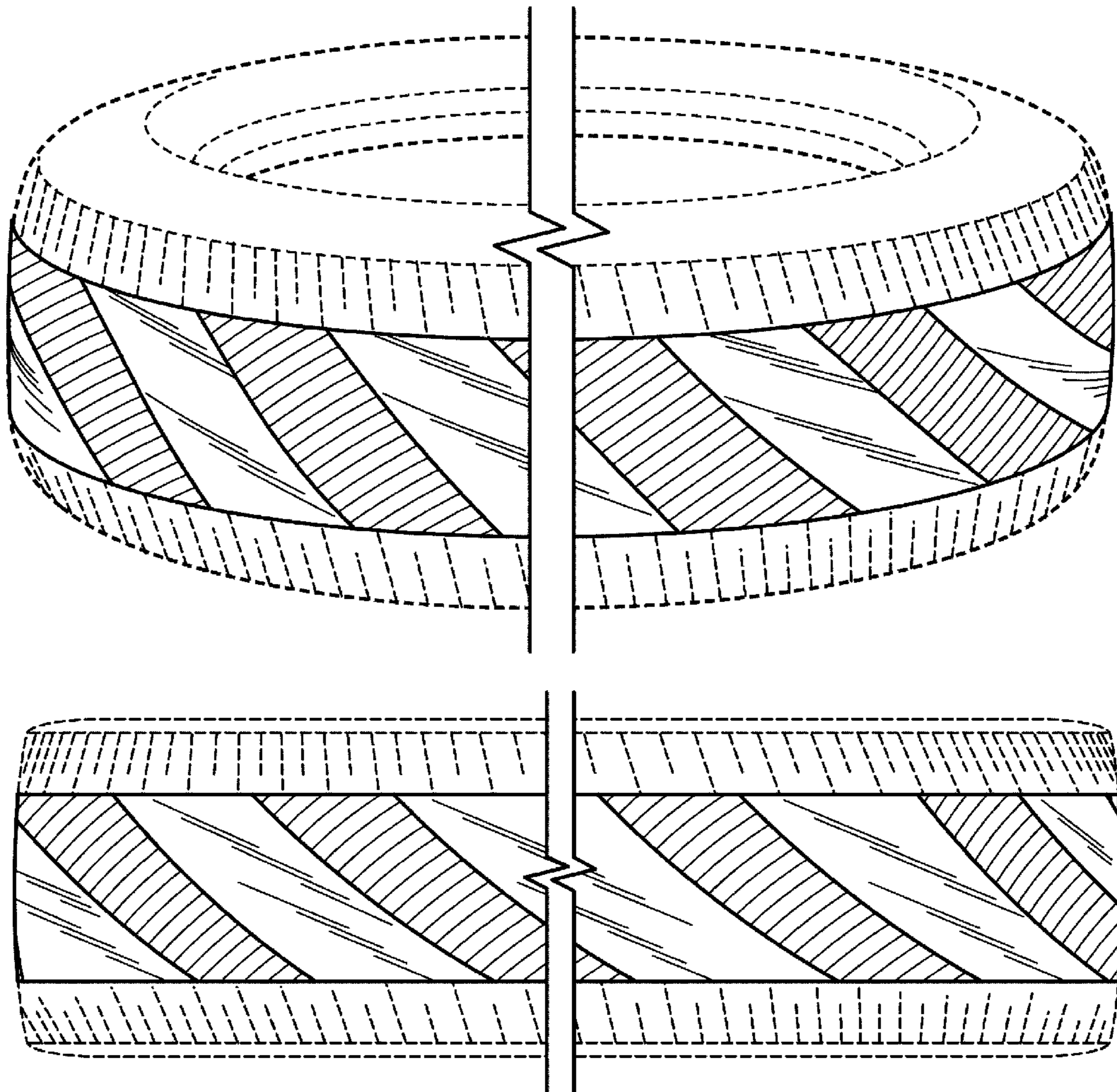
In the drawings, the broken lines are for environmental structure purposes only and form no part of the claimed design.

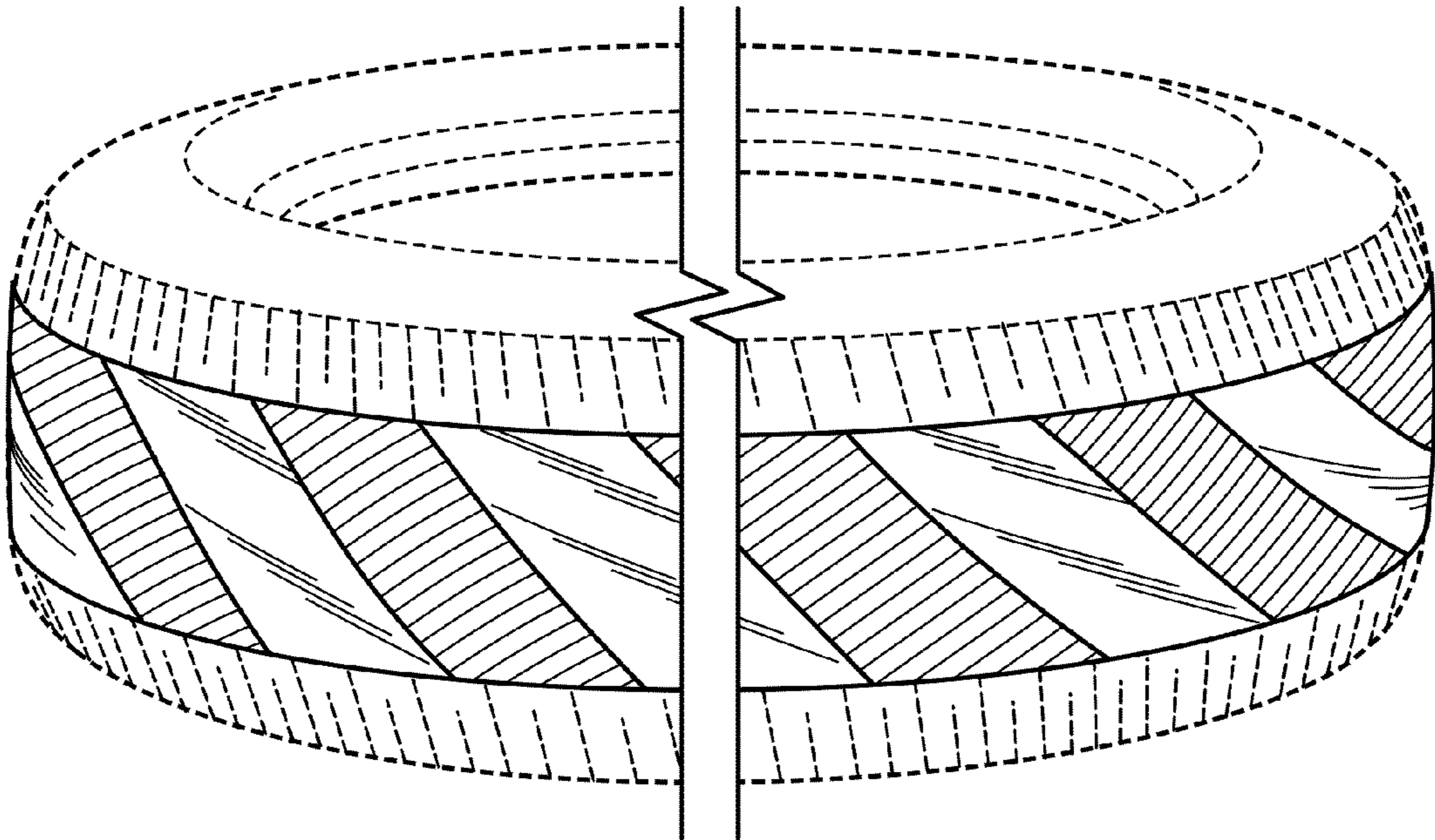
(56) **References Cited**

**U.S. PATENT DOCUMENTS**

3,299,935 A \* 1/1967 Bush ..... 152/209.5  
3,945,417 A \* 3/1976 Harrelson, Jr. .... 152/209.6

**1 Claim, 3 Drawing Sheets**





**FIG. 1**

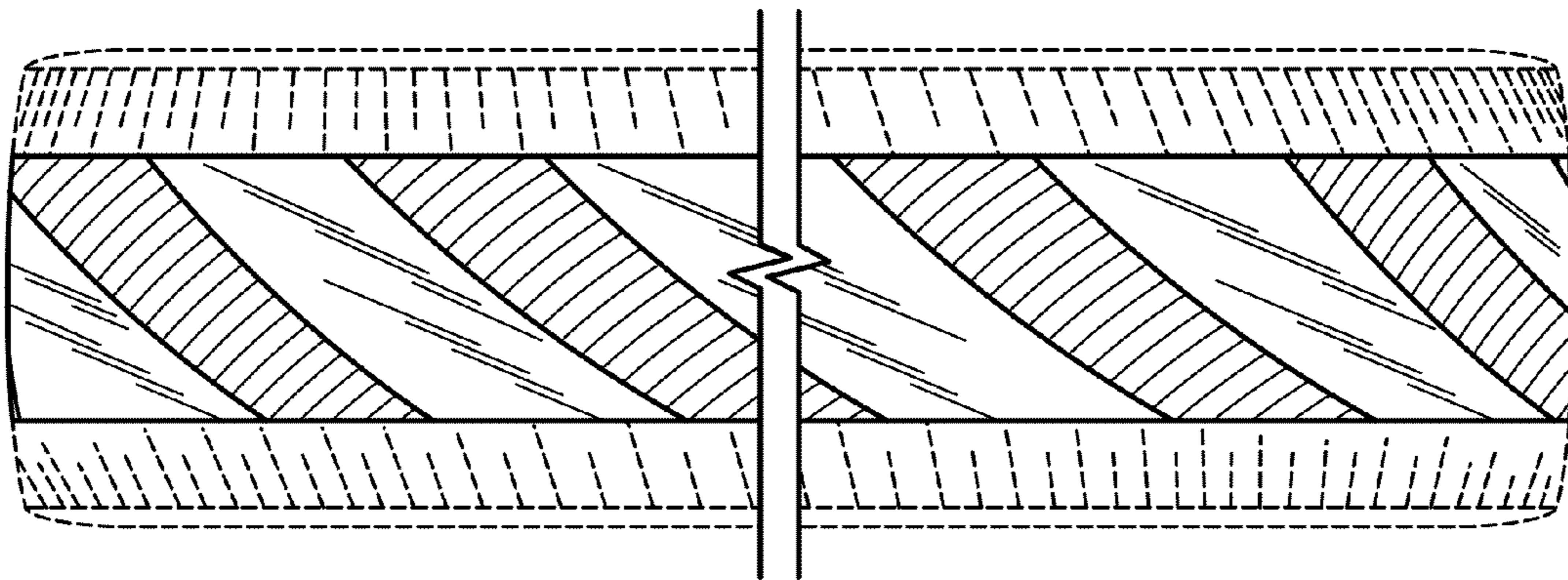


FIG. 2

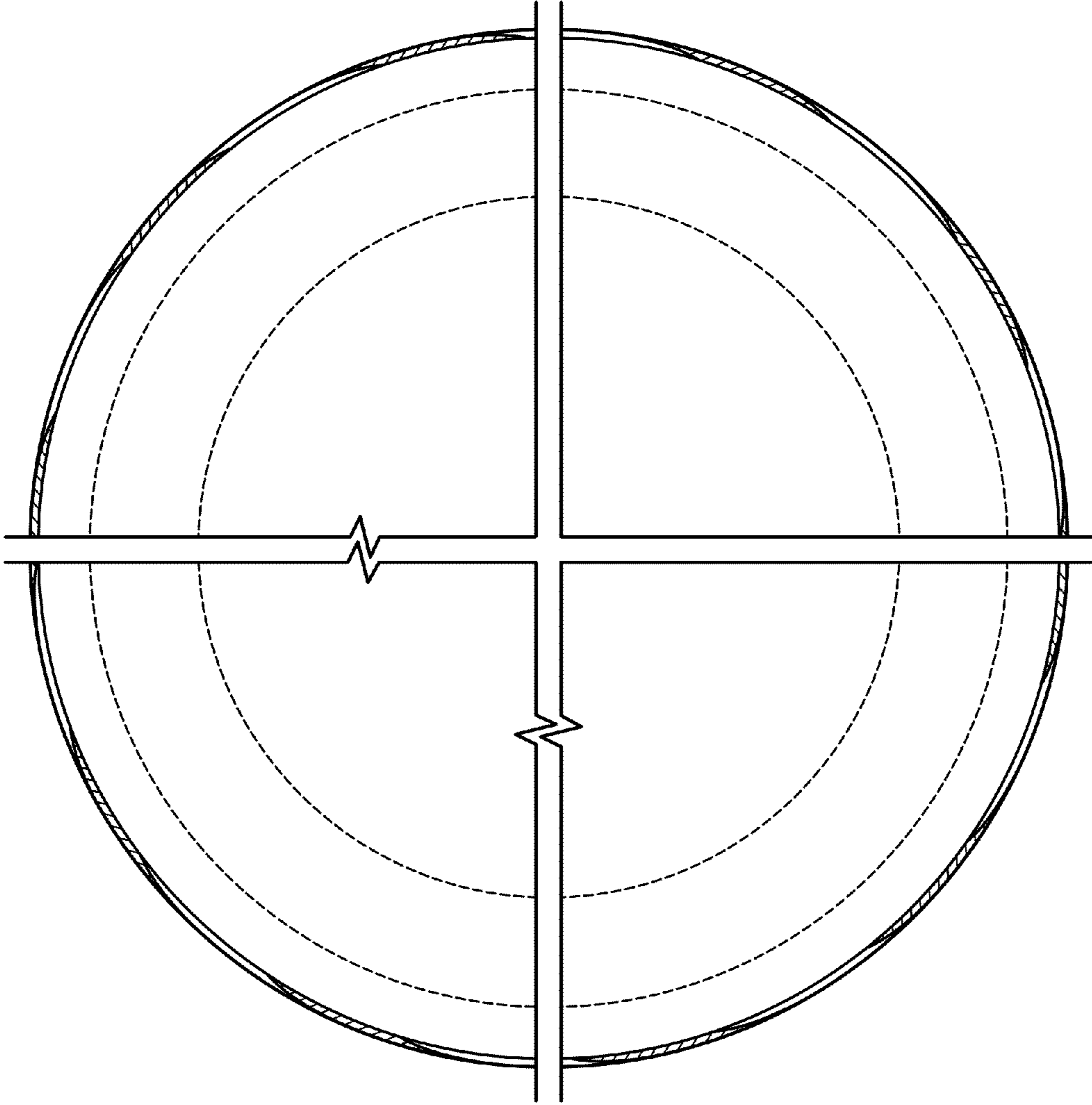


FIG. 3