



US00D678794S

(12) **United States Design Patent**  
**Eckert et al.**

(10) **Patent No.:** **US D678,794 S**  
(45) **Date of Patent:** **\*\* Mar. 26, 2013**

(54) **ELECTRONIC ARTICLE SURVEILLANCE SECURITY GATE**

(75) Inventors: **Lee H. Eckert**, Waxhaw, NC (US);  
**Brian Vincent Conti**, Matthews, NC (US);  
**Gary Mark Shafer**, Charlotte, NC (US);  
**Brian Wiese**, Lyndhurst, OH (US);  
**David P. Christianson**, Charlotte, NC (US)

(73) Assignee: **Checkpoint Systems, Inc.**, Thorofare, NJ (US)

(\*\*) Term: **14 Years**

(21) Appl. No.: **29/401,578**

(22) Filed: **Sep. 13, 2011**

**Related U.S. Application Data**

(63) Continuation-in-part of application No. 12/771,510, filed on Apr. 30, 2010.

(51) **LOC (9) Cl.** ..... **10-05**

(52) **U.S. Cl.** ..... **D10/106.9; D14/230**

(58) **Field of Classification Search** ... D10/106.9-16.94; 340/572.1, 572.3, 572.7-572.9; 70/57, 57.1, 70/58-59; 343/705; D14/230  
See application file for complete search history.

(56) **References Cited**

**U.S. PATENT DOCUMENTS**

3,906,507 A \* 9/1975 Allen, Jr. .... 343/705  
4,692,747 A 9/1987 Wolf  
4,831,363 A 5/1989 Wolf  
4,851,815 A 7/1989 Enkelmann  
D354,060 S \* 1/1995 Witzky ..... D14/230  
5,955,950 A \* 9/1999 Gallagher et al. .... 340/572.1

D473,219 S \* 4/2003 Raymond ..... D14/230  
7,474,215 B2 1/2009 Scott et al.  
7,538,680 B2 5/2009 Scott et al.  
7,663,489 B2 2/2010 Scott et al.  
2003/0001739 A1\* 1/2003 Clucas et al. .... 340/572.1  
2004/0233042 A1 11/2004 Piccoli et al.  
2006/0026797 A1 2/2006 Coyle  
2010/0277322 A1\* 11/2010 Eckert et al. .... 340/572.3

**FOREIGN PATENT DOCUMENTS**

DE 19822670 11/1999  
GB 2137391 10/1984  
GB 2205426 12/1988  
WO 2007115097 10/2007

\* cited by examiner

*Primary Examiner* — George D Kirschbaum

(74) *Attorney, Agent, or Firm* — Sand & Sebolt

(57) **CLAIM**

The ornamental design for an electronic article surveillance security gate, as shown and described.

**DESCRIPTION**

FIG. 1 is a first embodiment of a perspective view of an electronic article surveillance security gate with an opaque antenna mount;

FIG. 2 is a front elevation view;

FIG. 3 is a top plan view;

FIG. 4 is a bottom plan view; and

FIG. 5 is a left side elevation view.

FIG. 6 is a second embodiment of a perspective view of an electronic article surveillance security gate with an at least partially clear antenna mount;

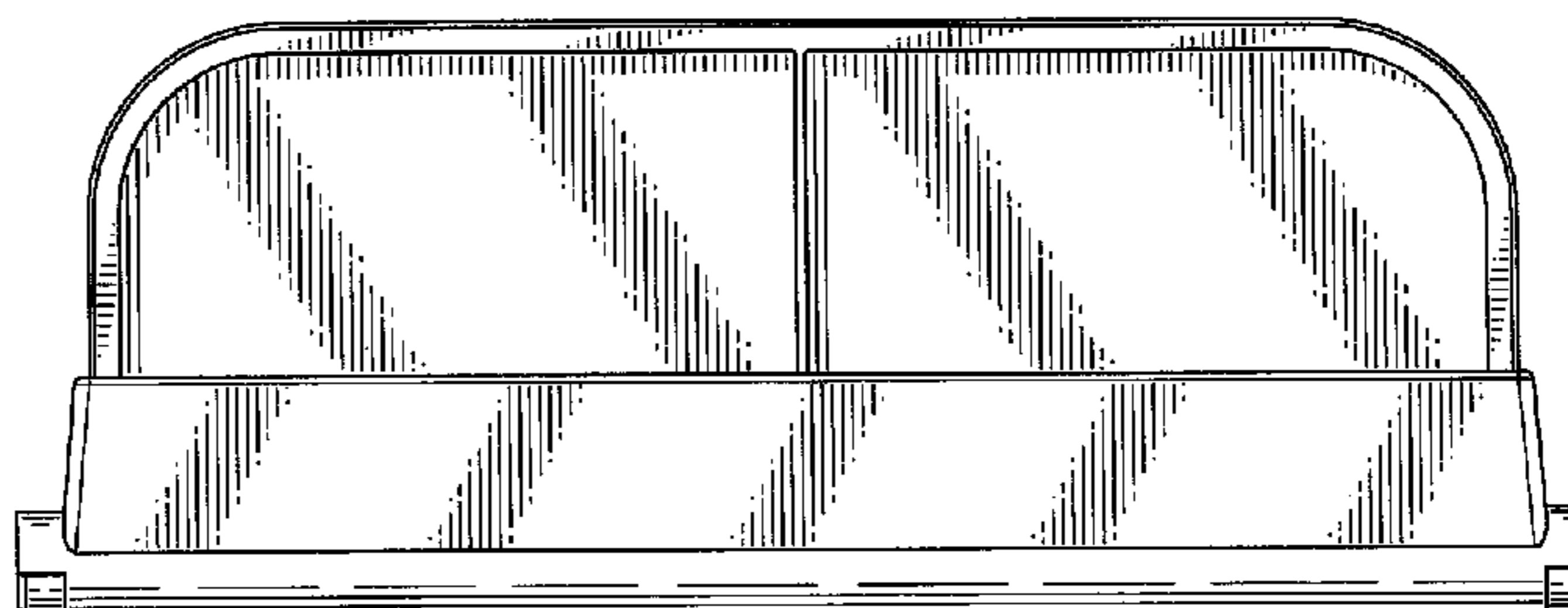
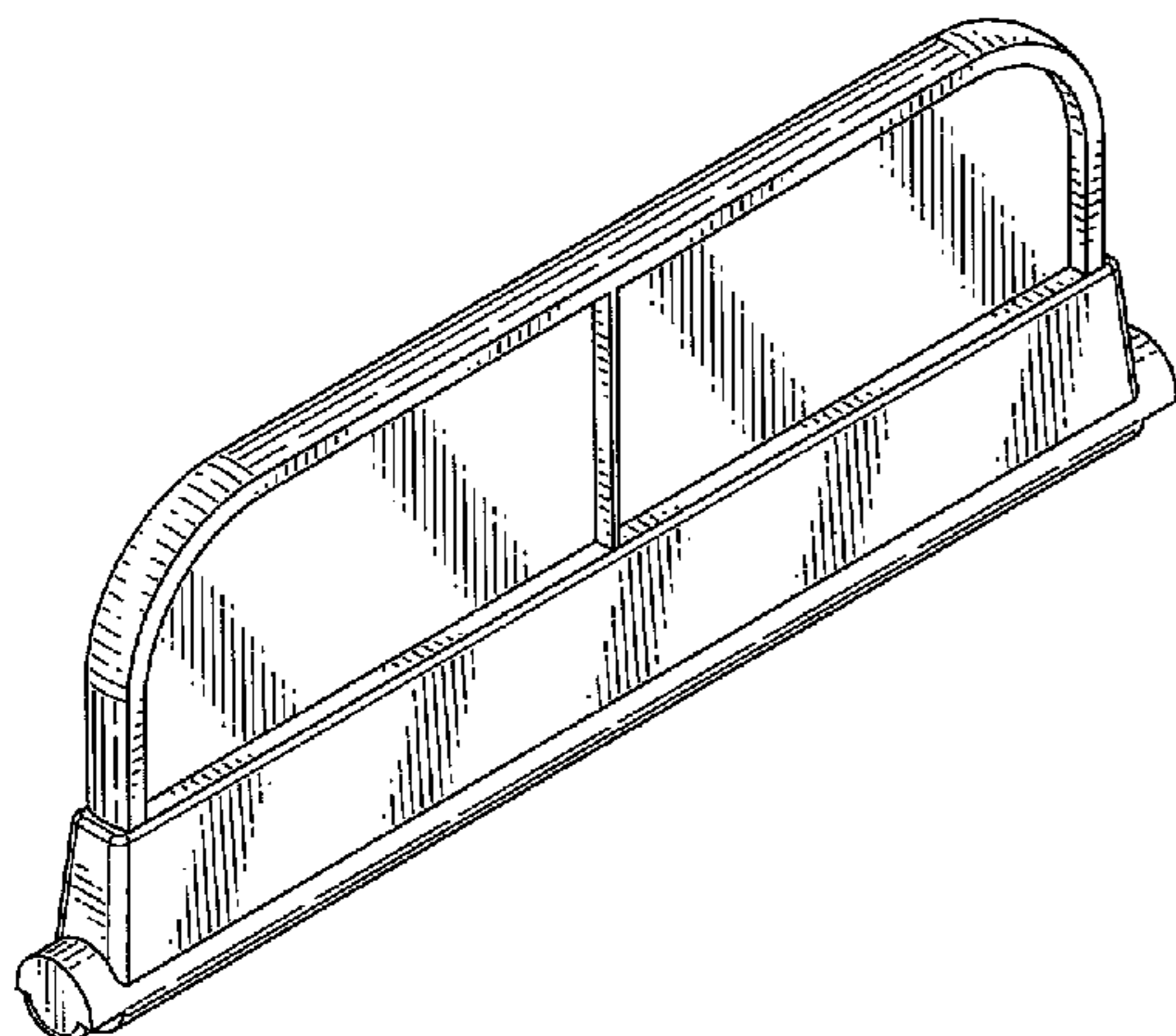
FIG. 7 is a front elevation view;

FIG. 8 is a top plan view;

FIG. 9 is a bottom plan view; and,

FIG. 10 is a left side elevation view.

**1 Claim, 6 Drawing Sheets**



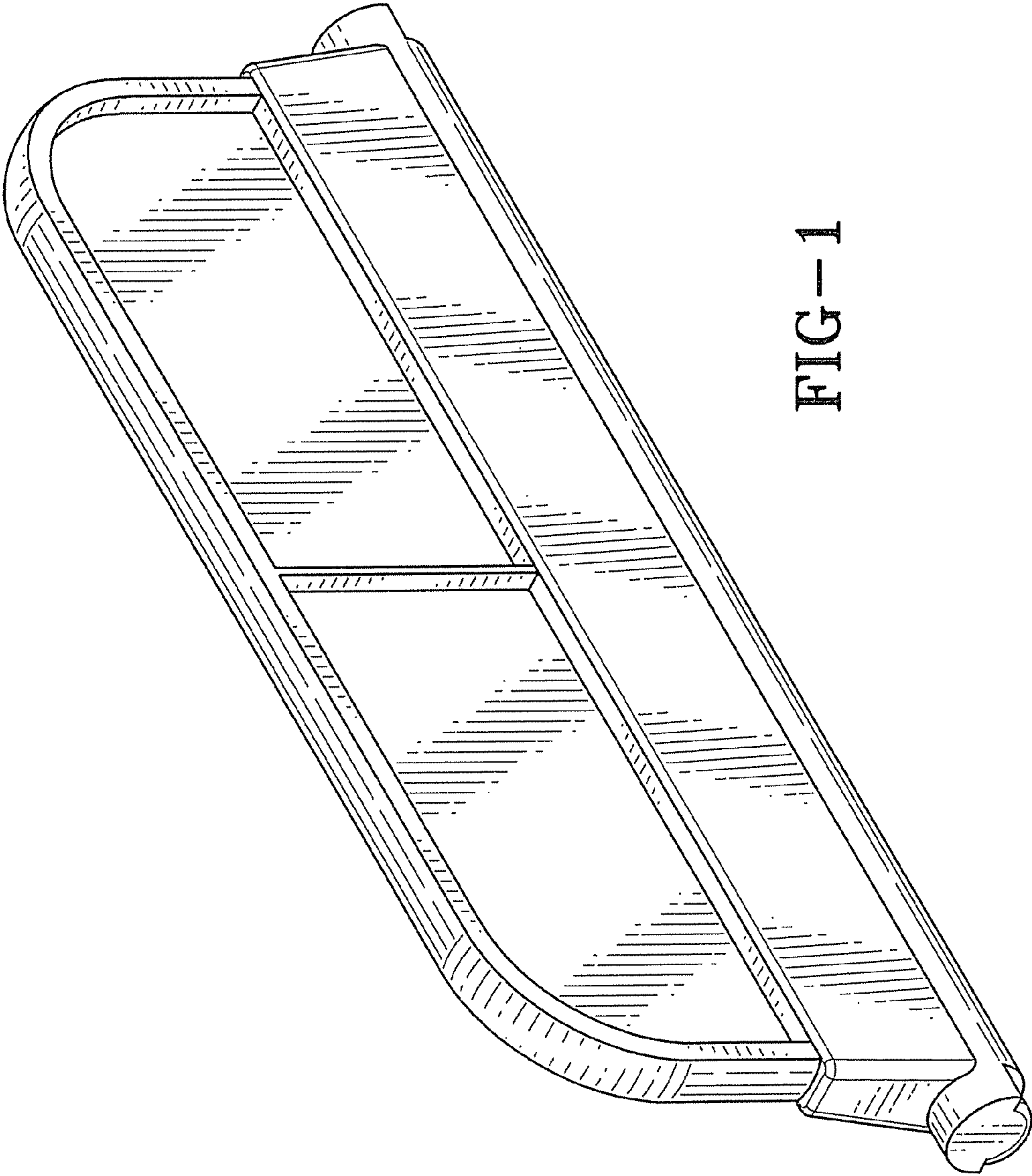


FIG-1

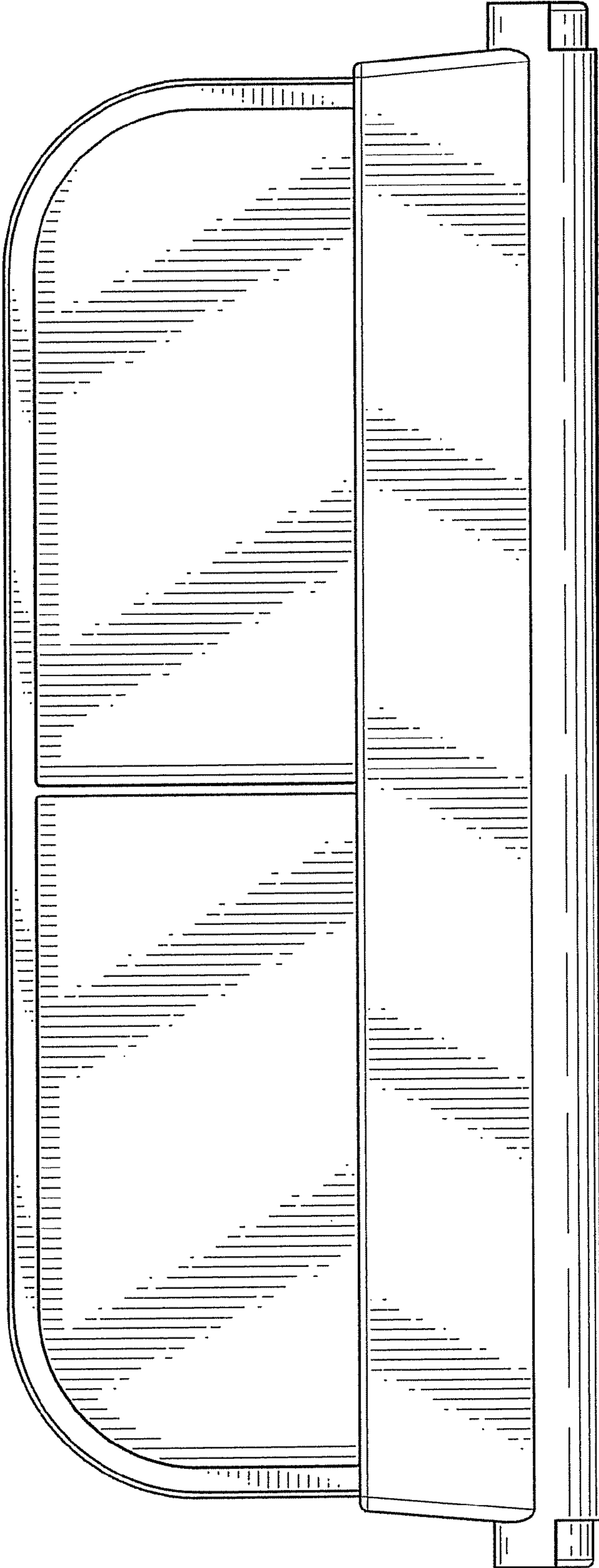


FIG-2

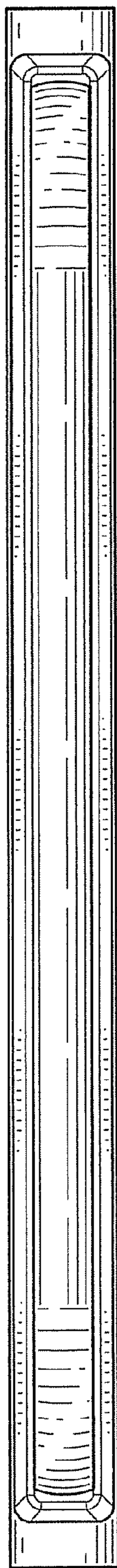


FIG-3

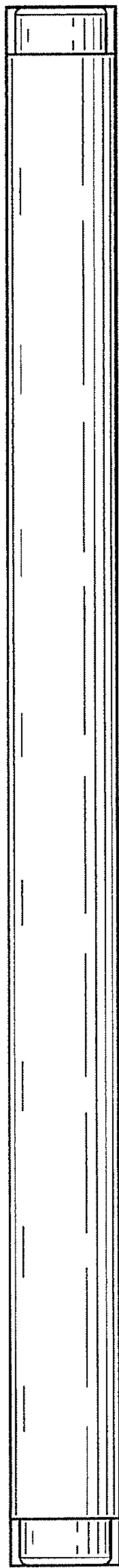


FIG-4

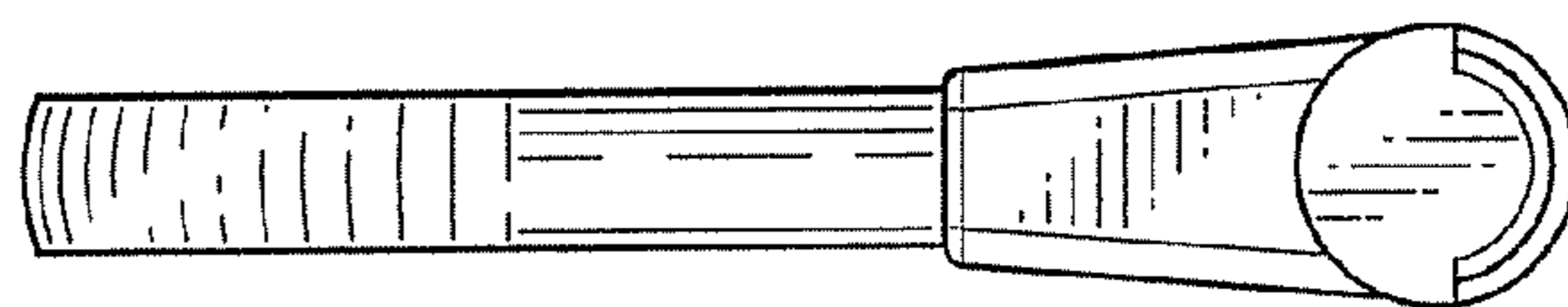


FIG-5

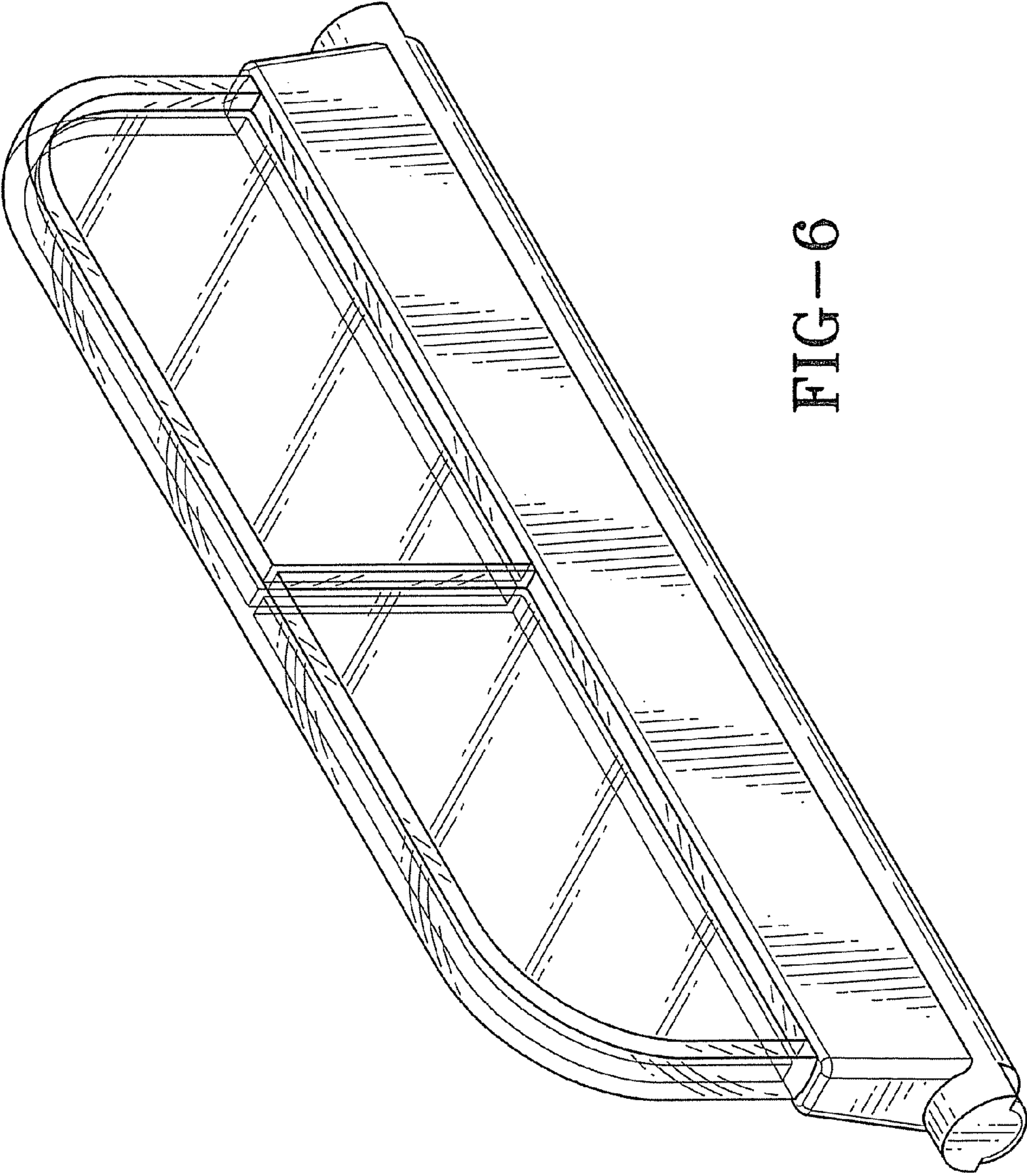


FIG--6

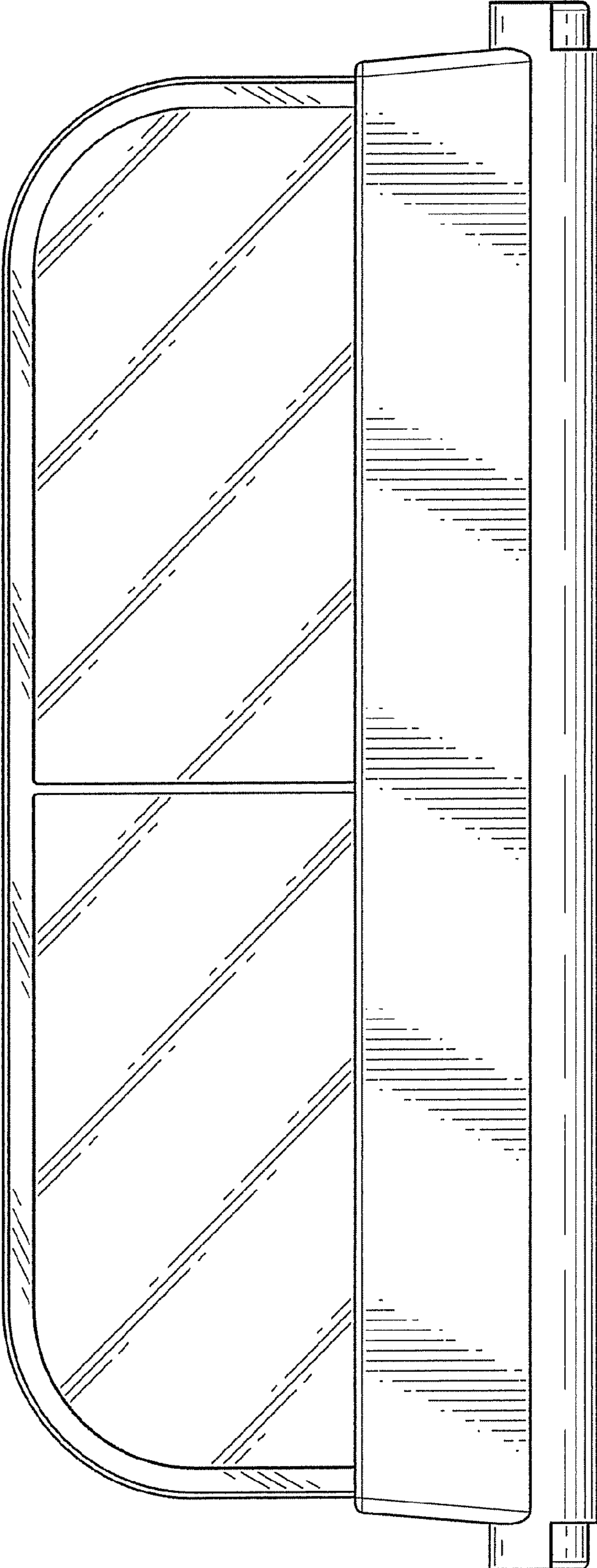


FIG--7

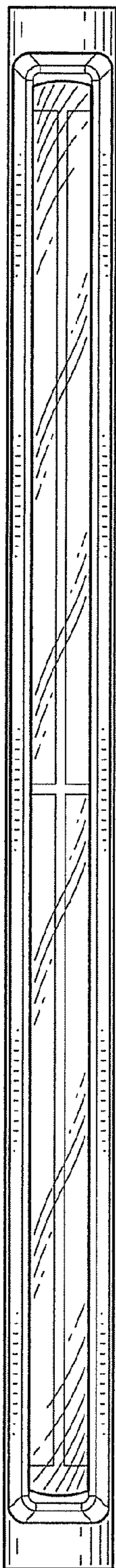


FIG-8

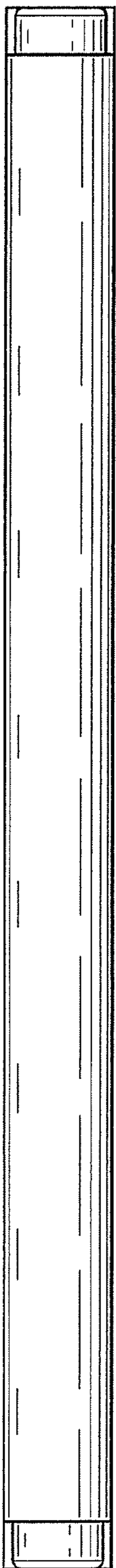


FIG-9

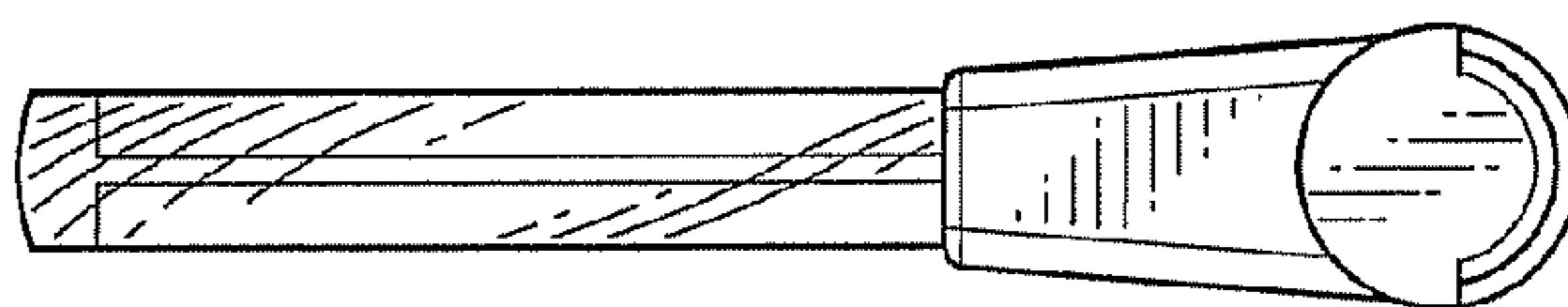


FIG-10