



US00D678790S

(12) **United States Design Patent**
Worones

(10) **Patent No.:** **US D678,790 S**
(45) **Date of Patent:** **** Mar. 26, 2013**

(54) **CLAMP METER JAW**

(75) Inventor: **Jeff Worones**, Seattle, WA (US)

(73) Assignee: **Fluke Corporation**, Everett, WA (US)

(**) Term: **14 Years**

(21) Appl. No.: **29/428,636**

(22) Filed: **Aug. 1, 2012**

Related U.S. Application Data

(62) Division of application No. 29/382,283, filed on Dec. 30, 2010, now Pat. No. Des. 665,282.

(51) **LOC (9) Cl.** **10-04**

(52) **U.S. Cl.** **D10/79; D10/80**

(58) **Field of Classification Search** D10/79,
D10/80; 324/72.5, 556, 133, 149, 503, 543,
324/555, 66, 72, 754, 115, 141, 116; 340/635,
340/687

See application file for complete search history.

(56) **References Cited**

U.S. PATENT DOCUMENTS

D359,006 S	6/1995	McCain et al.	
D636,689 S	4/2011	Laurino et al.	
D640,152 S	6/2011	Laurino et al.	
8,120,350 B2 *	2/2012	Shah et al. 324/126

* cited by examiner

Primary Examiner — Antoine D Davis

(74) *Attorney, Agent, or Firm* — Perkins Coie LLP

(57) **CLAIM**

The ornamental design for a clamp meter jaw, as shown and described.

DESCRIPTION

FIG. 1 is a front view of a clamp meter jaw in a closed arrangement.

FIG. 2 is a back view thereof.

FIG. 3 is a right side view thereof.

FIG. 4 is a left side view thereof.

FIG. 5 is a top view thereof.

FIG. 6 is a bottom view thereof.

FIG. 7 is a first perspective view thereof.

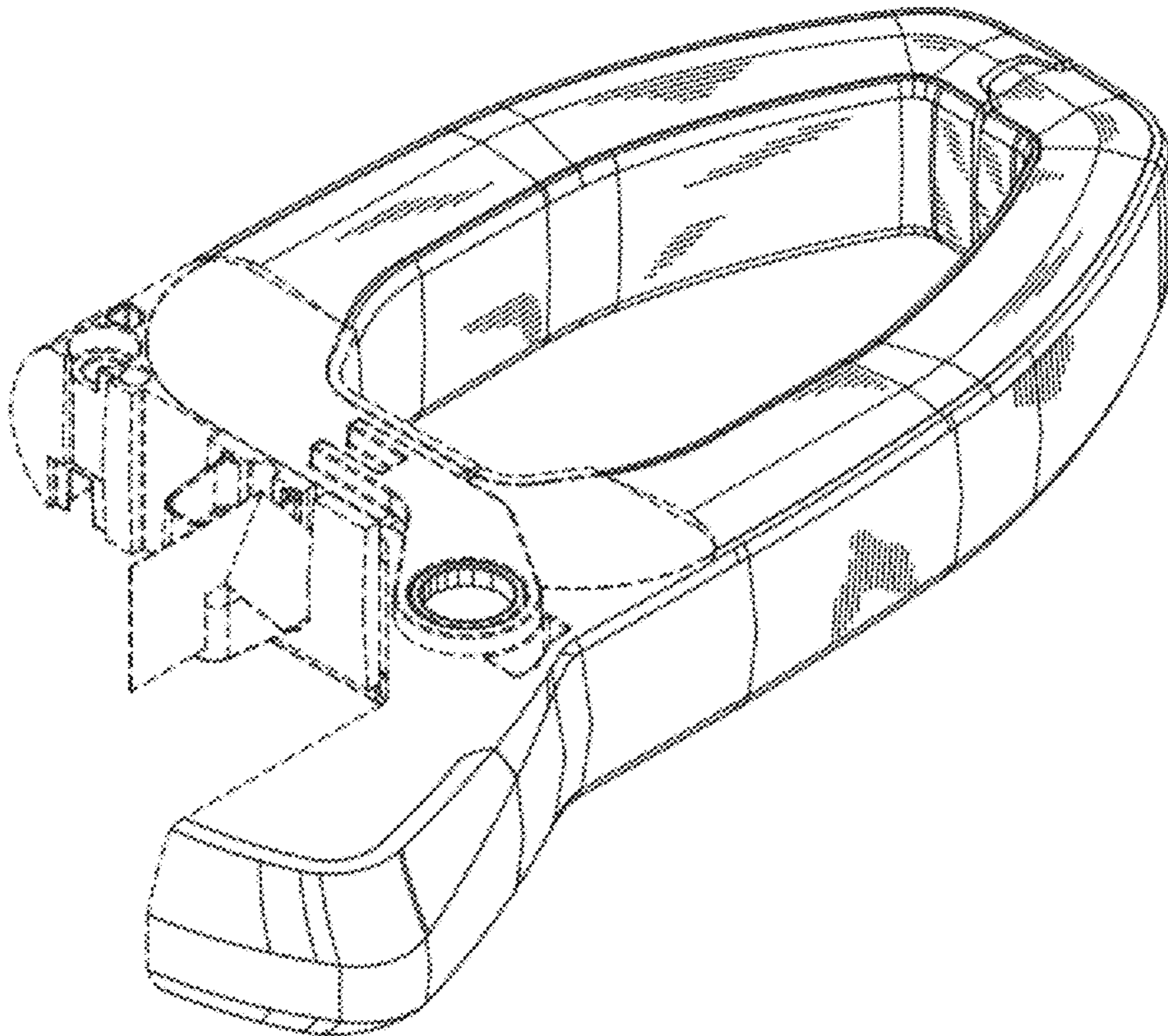
FIG. 8 is a second perspective view thereof.

FIG. 9 is a third perspective view thereof; and,

FIG. 10 is a fourth perspective view thereof.

The broken lines form no part of the claimed design.

1 Claim, 8 Drawing Sheets



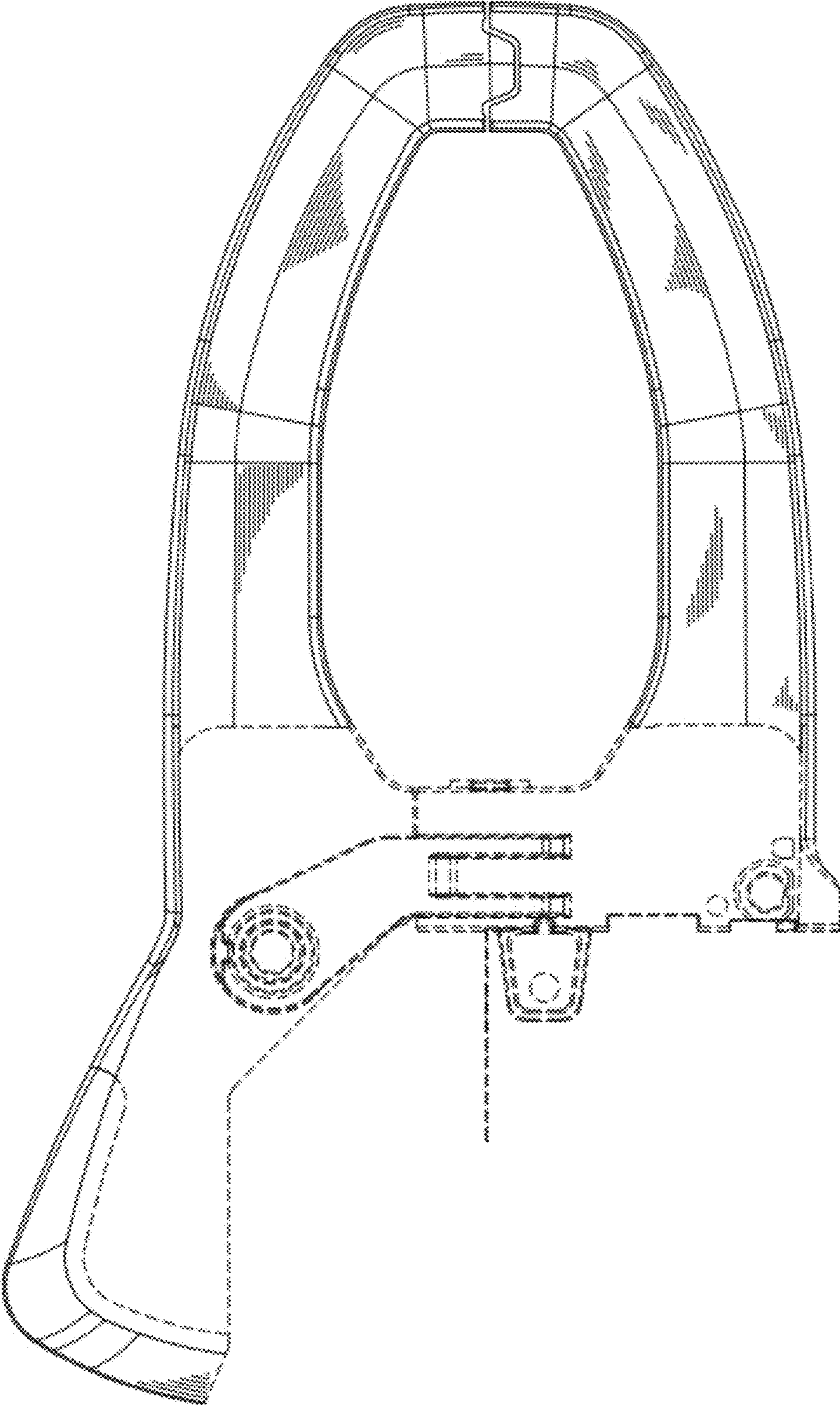


FIG. 1

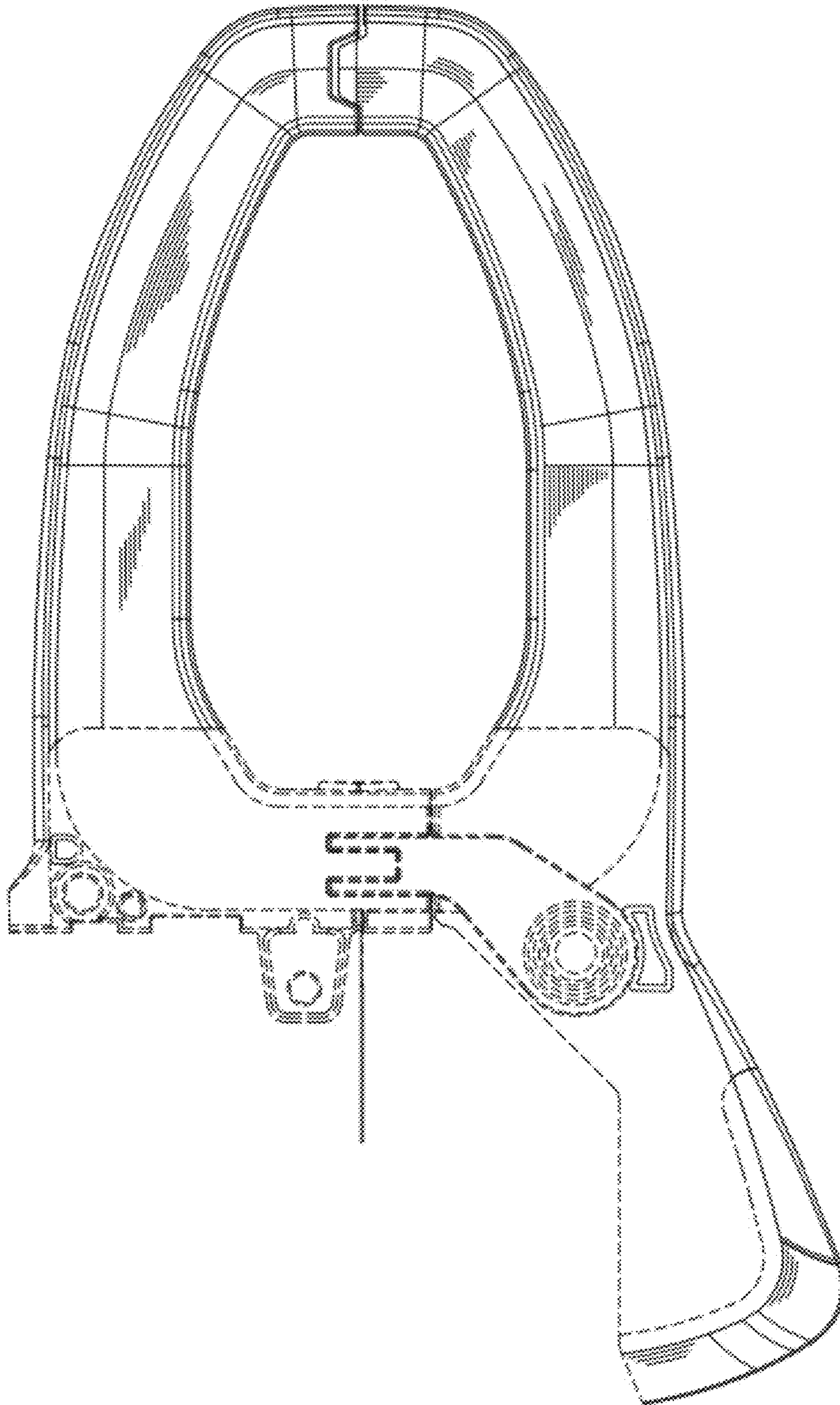


FIG. 2

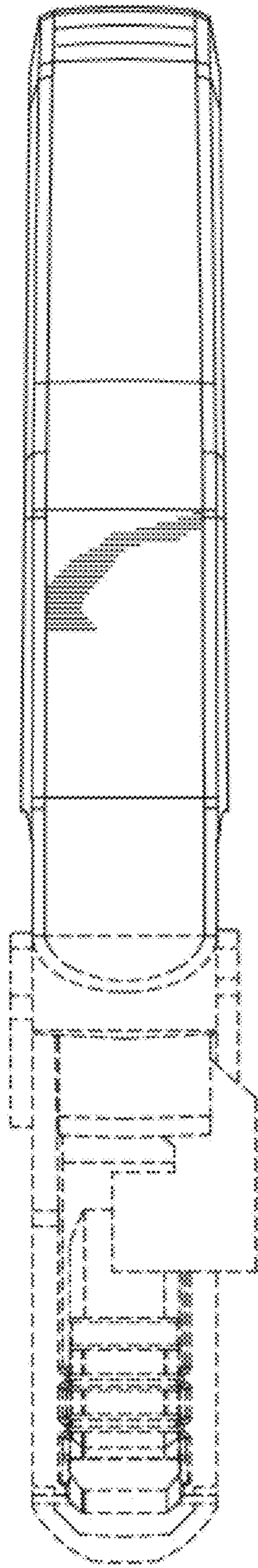


FIG. 3

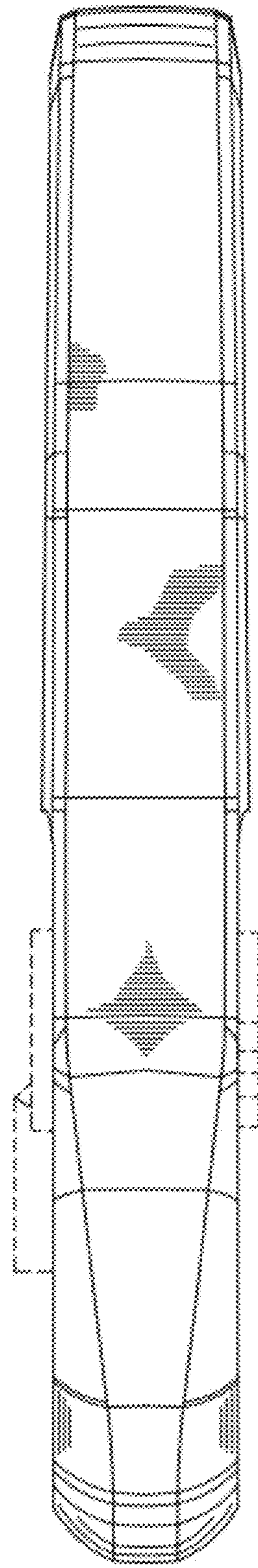


FIG. 4

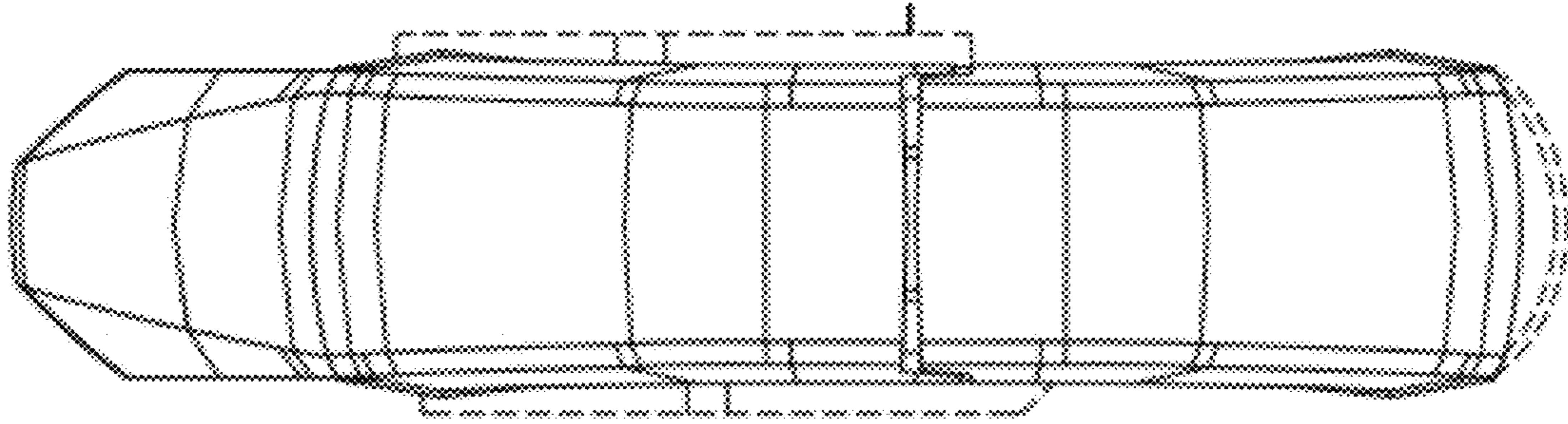


FIG. 5

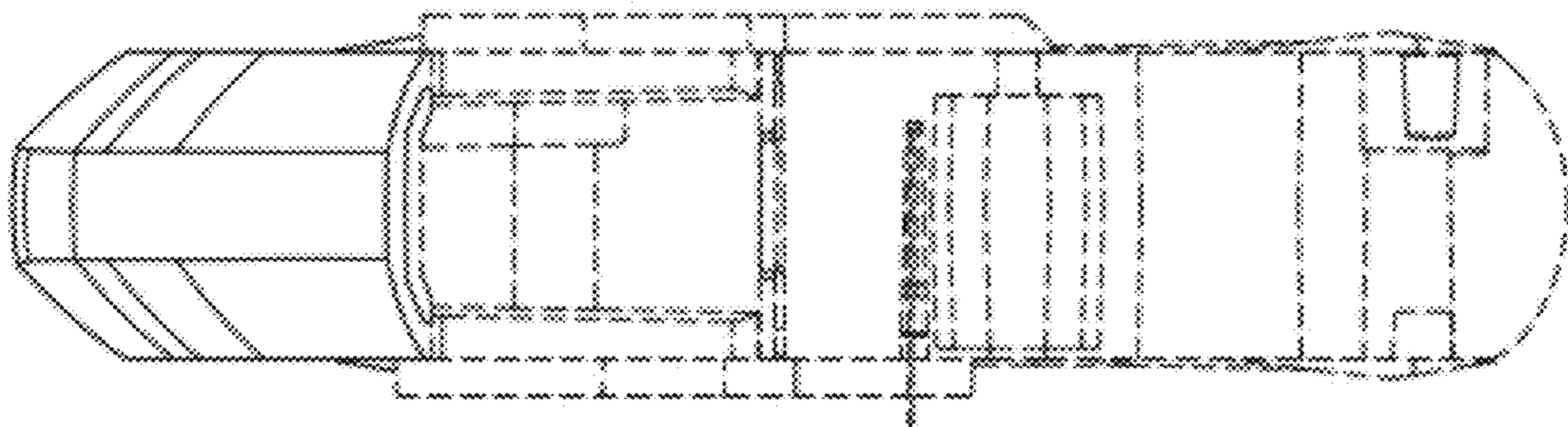


FIG. 6

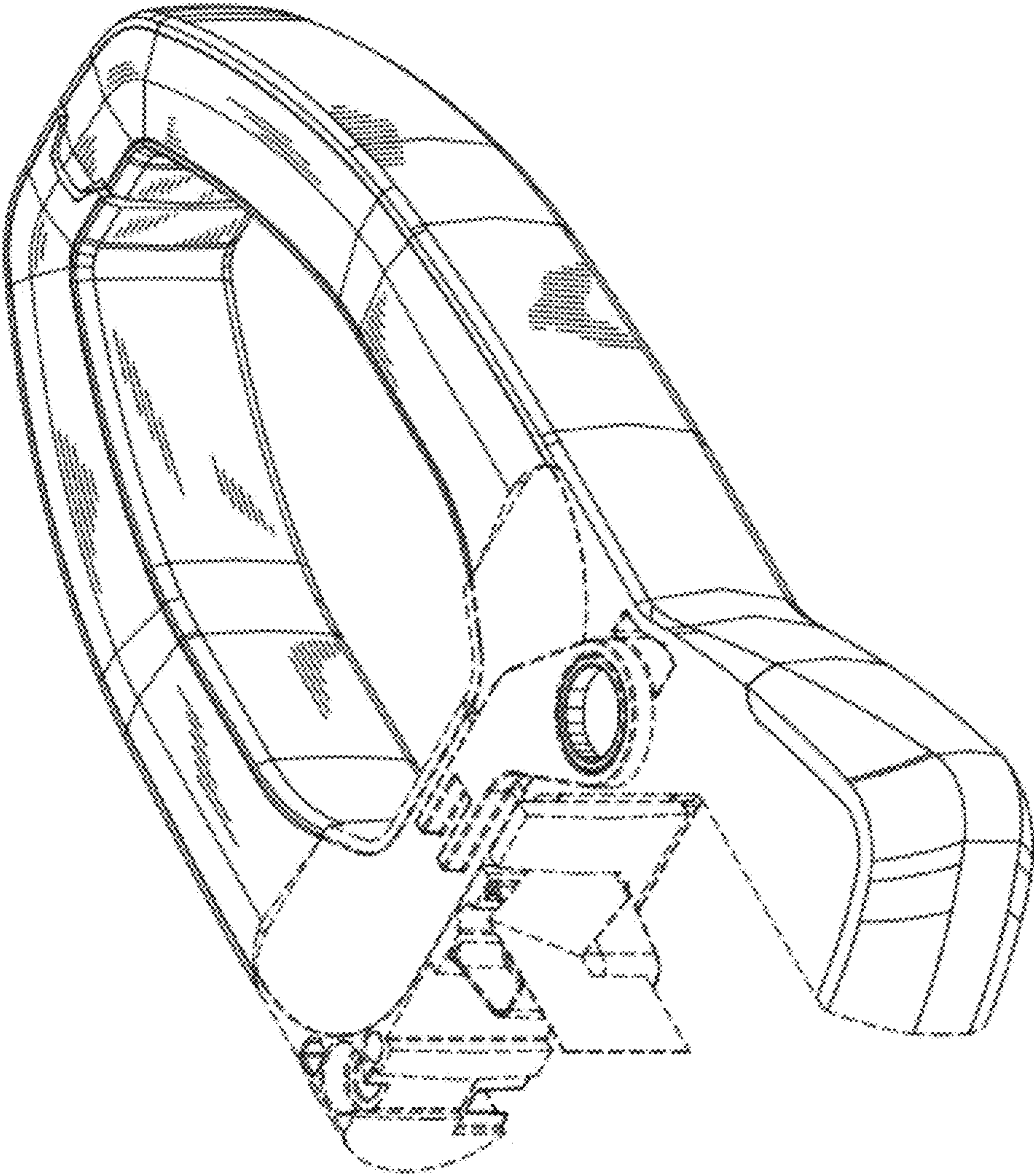


FIG.7

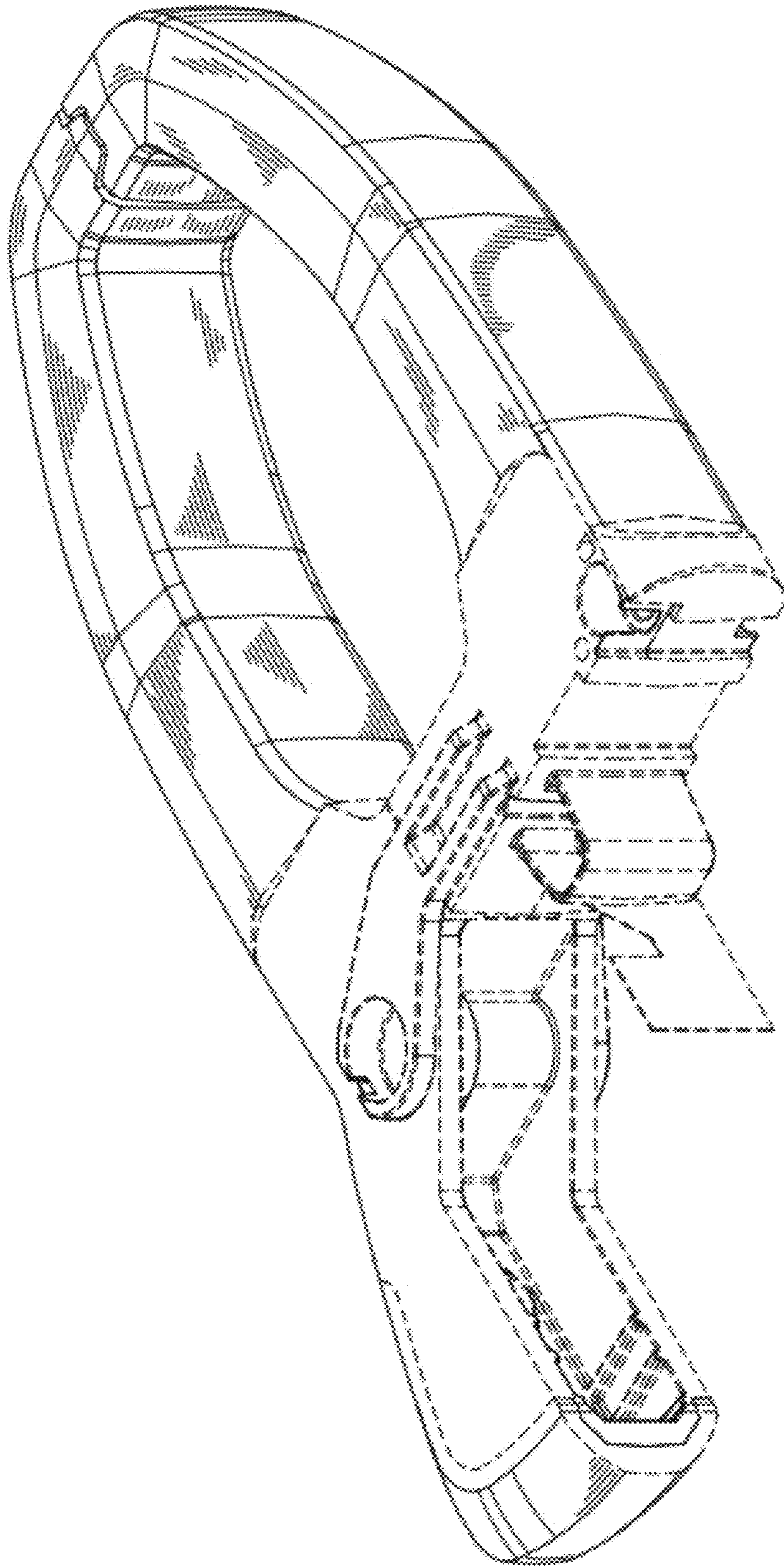


FIG.8

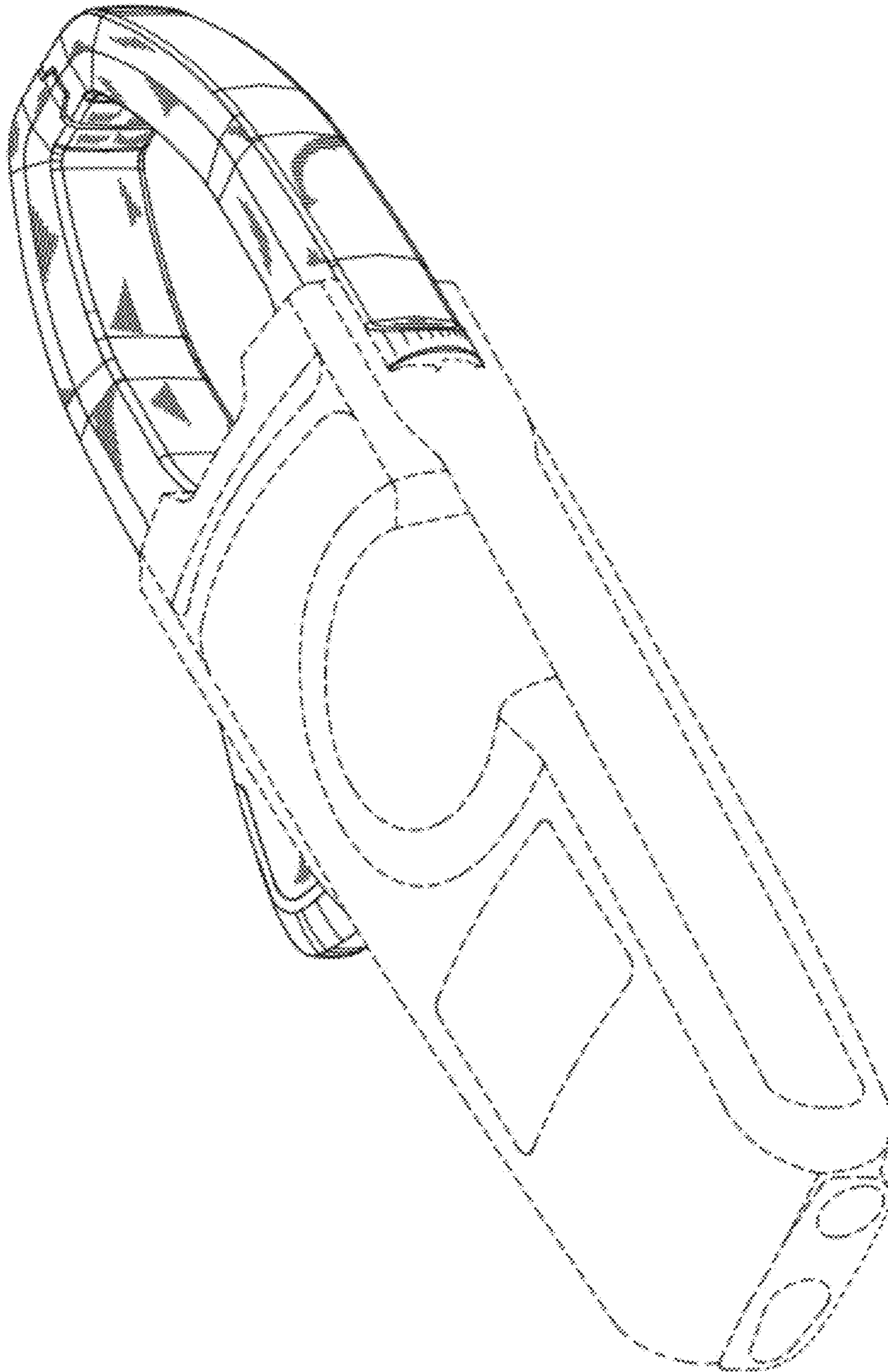


FIG. 9

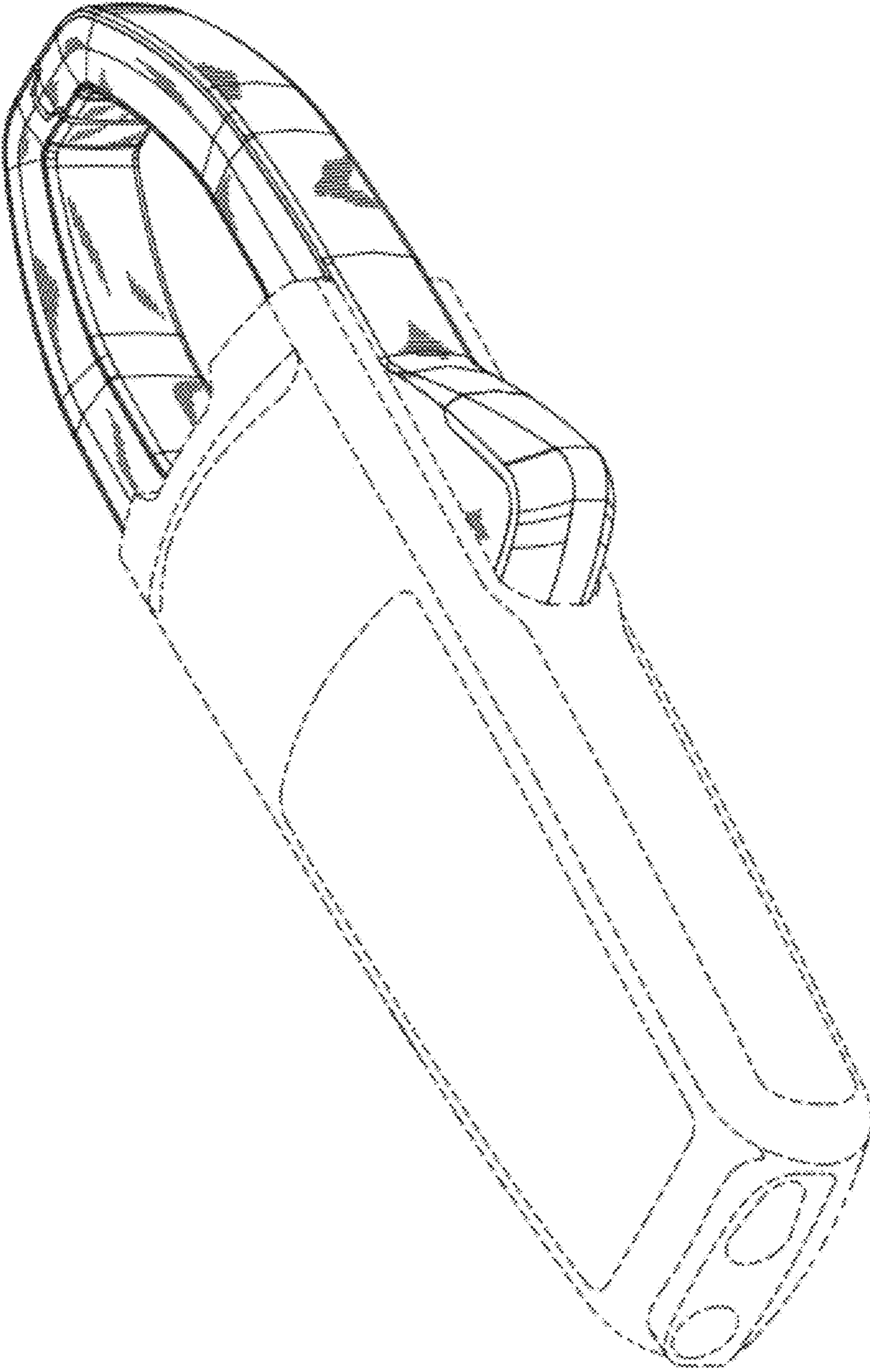


FIG.10