

US00D678789S

(12) **United States Design Patent**
Zhang et al.

(10) **Patent No.:** **US D678,789 S**
(45) **Date of Patent:** **** Mar. 26, 2013**

(54) **DIGITAL HEIGHT GAUGE**

(76) Inventors: **Meng Zhang**, San Clemente, CA (US);
Yanchen Zhang, San Clemente, CA (US)

(**) Term: **14 Years**
(21) Appl. No.: **29/407,910**

(22) Filed: **Dec. 5, 2011**

(51) **LOC (9) Cl.** **10-04**

(52) **U.S. Cl.** **D10/73; D10/71**

(58) **Field of Classification Search** **D10/70,**
D10/73; 33/783-832, DIG. 12, 520; 377/3,
377/49; 702/161

See application file for complete search history.

(56) **References Cited**

U.S. PATENT DOCUMENTS

4,625,413 A * 12/1986 Possati et al. 33/802

* cited by examiner

Primary Examiner — Antoine D Davis

(74) *Attorney, Agent, or Firm* — Let Z. Kwan, Esq.

(57) **CLAIM**

The ornamental design for a digital height gauge, as shown and described.

DESCRIPTION

FIG. 1 is a top plan view of a digital height gauge showing our new design;

FIG. 2 is a right side view thereof;

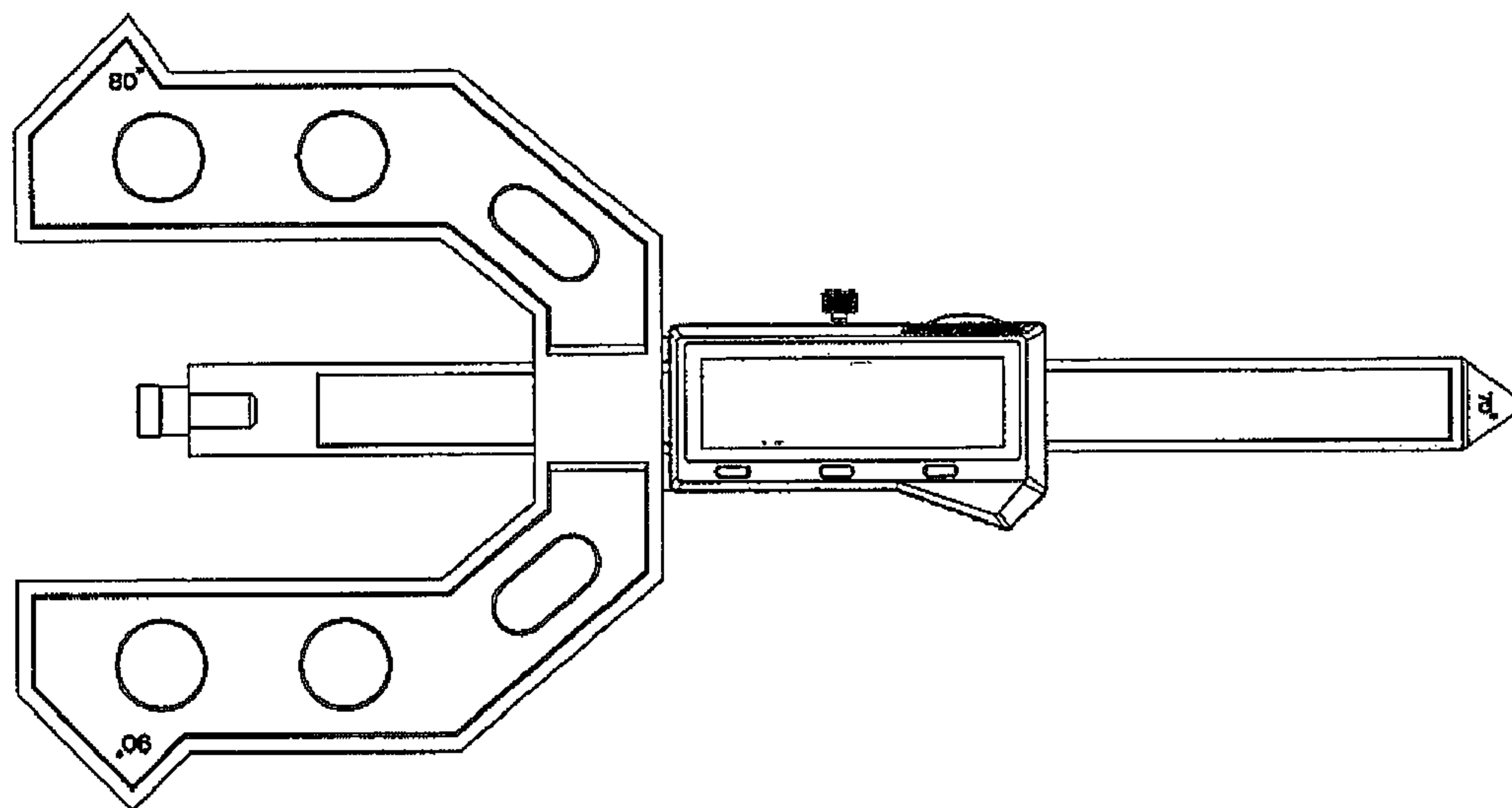
FIG. 3 is a left side view thereof;

FIG. 4 is a head on view thereof;

FIG. 5 is a rear end view thereof; and,

FIG. 6 is a bottom plan view thereof.

1 Claim, 2 Drawing Sheets



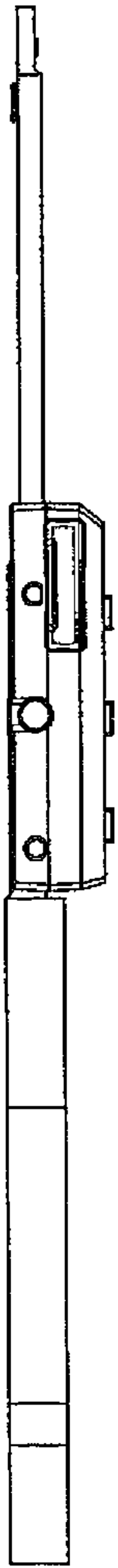


FIG. 2

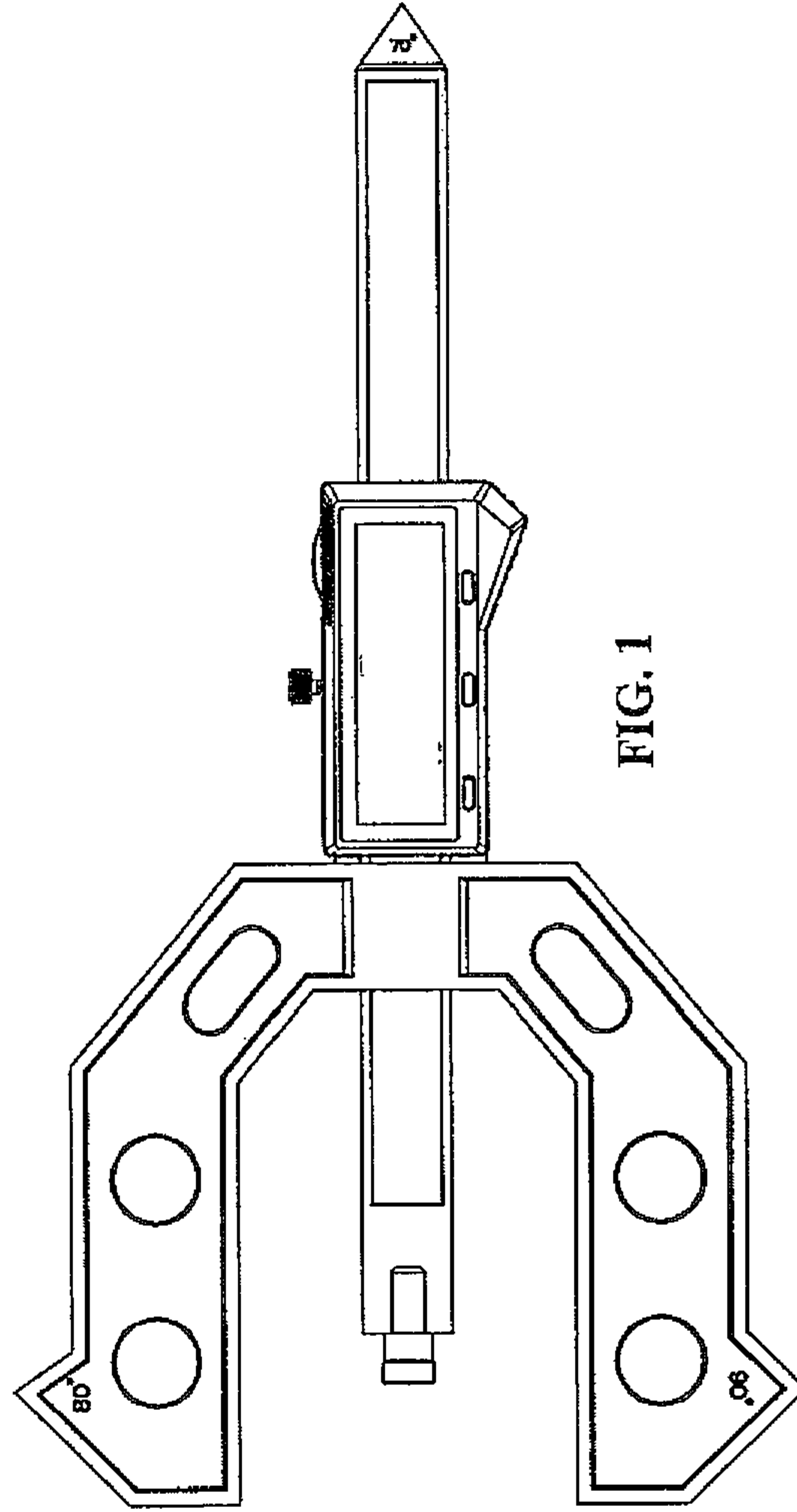


FIG. 1



FIG. 4

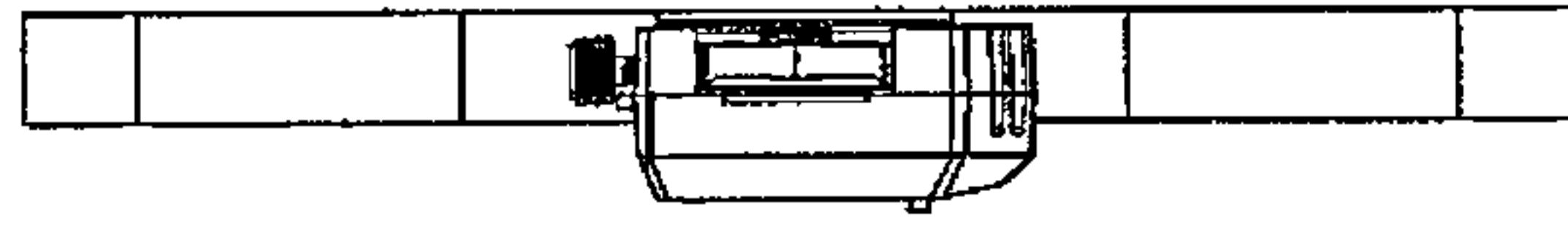


FIG. 5



FIG. 3

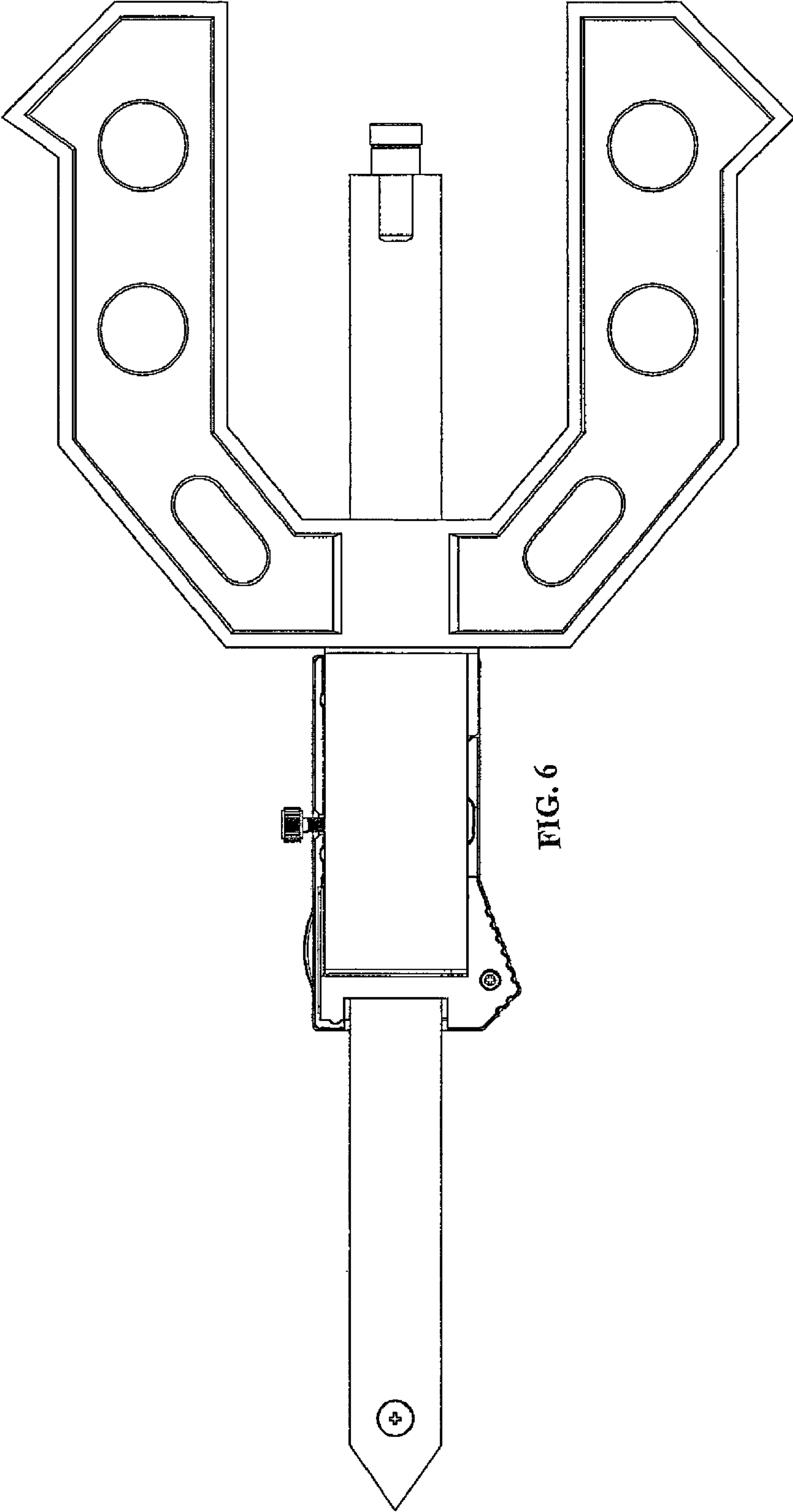


FIG. 6